



US00D342129S

United States Patent [19]

[11] Patent Number: **Des. 342,129**

Goetz, Jr.

[45] Date of Patent: **** Dec. 7, 1993**

[54] **FLUID FLOW CONDUCTING TUBE FOR A HEAT EXCHANGER**

Primary Examiner—Wallace R. Burke
Assistant Examiner—Lisa Lichtenstein
Attorney, Agent, or Firm—Joseph W. Farley

[76] Inventor: **Edward E. Goetz, Jr.**, 27935 Quail Hollow Ct., Farmington Hills, Mich. 48331

[57] **CLAIM**

[**] Term: **14 Years**

The ornamental design for a fluid flow conducting tube for a heat exchanger, as shown and described.

[21] Appl. No.: **691,094**

DESCRIPTION

[22] Filed: **Apr. 25, 1991**

[52] U.S. Cl. **D23/387**

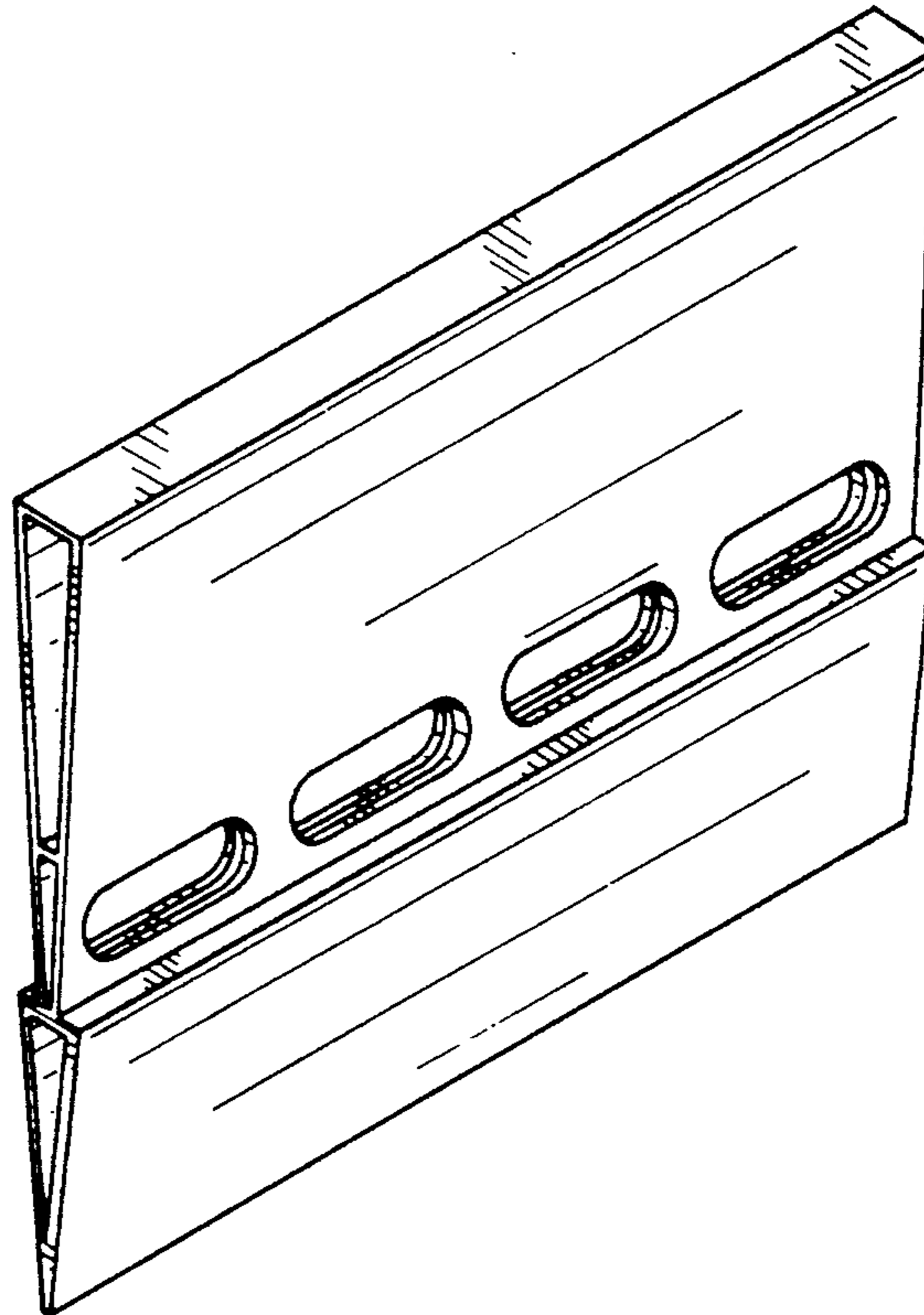
[58] Field of Search D23/314, 323, 499, 386, D23/387, 354; 165/135

FIG. 1 is an isometric view of a fluid flow conducting tube for a heat exchanger;
FIG. 2 is an elevational view of either end of the fluid flow conducting tube of FIG. 1;
FIG. 3 is an elevational view of either side of the flow conducting tube of FIG. 1;
FIG. 4 is a top view of the fluid flow conducting tube of FIG. 1; and,
FIG. 5 is a bottom view of the fluid flow conducting tube of FIG. 1.

[56] **References Cited**

U.S. PATENT DOCUMENTS

1,726,500	8/1929	Norris	165/135
2,029,437	2/1936	Murray	165/135



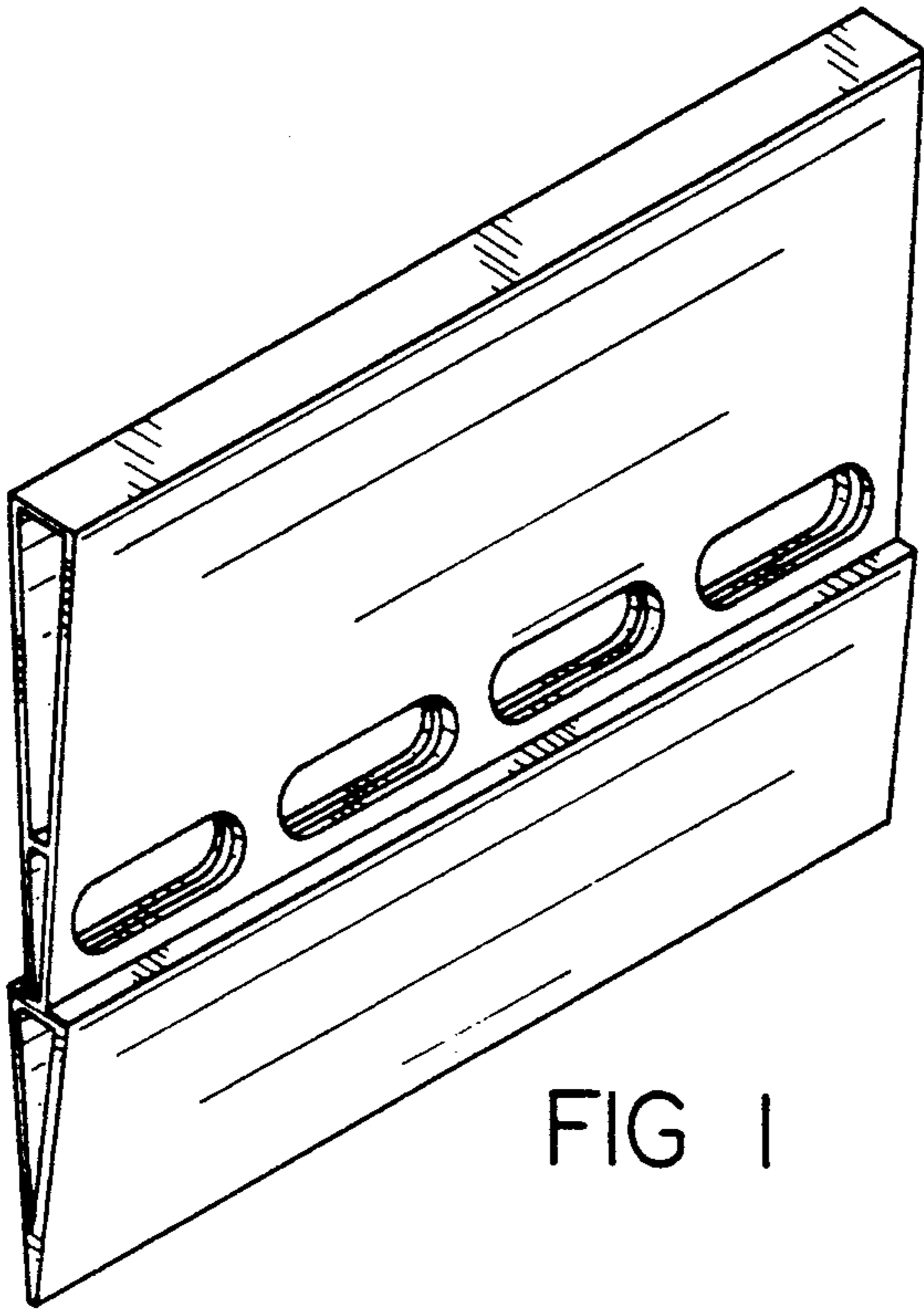


FIG 1

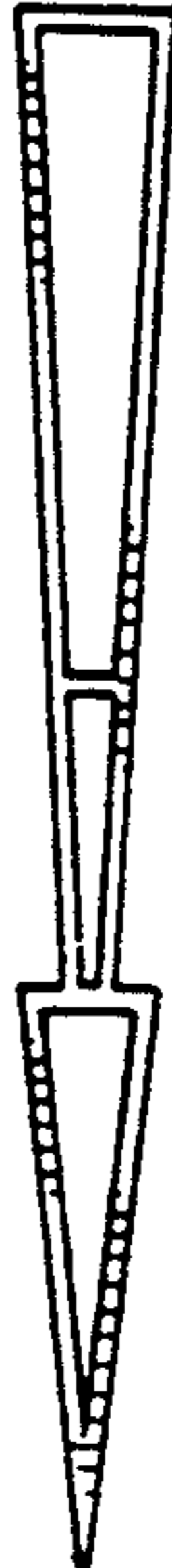


FIG. 2

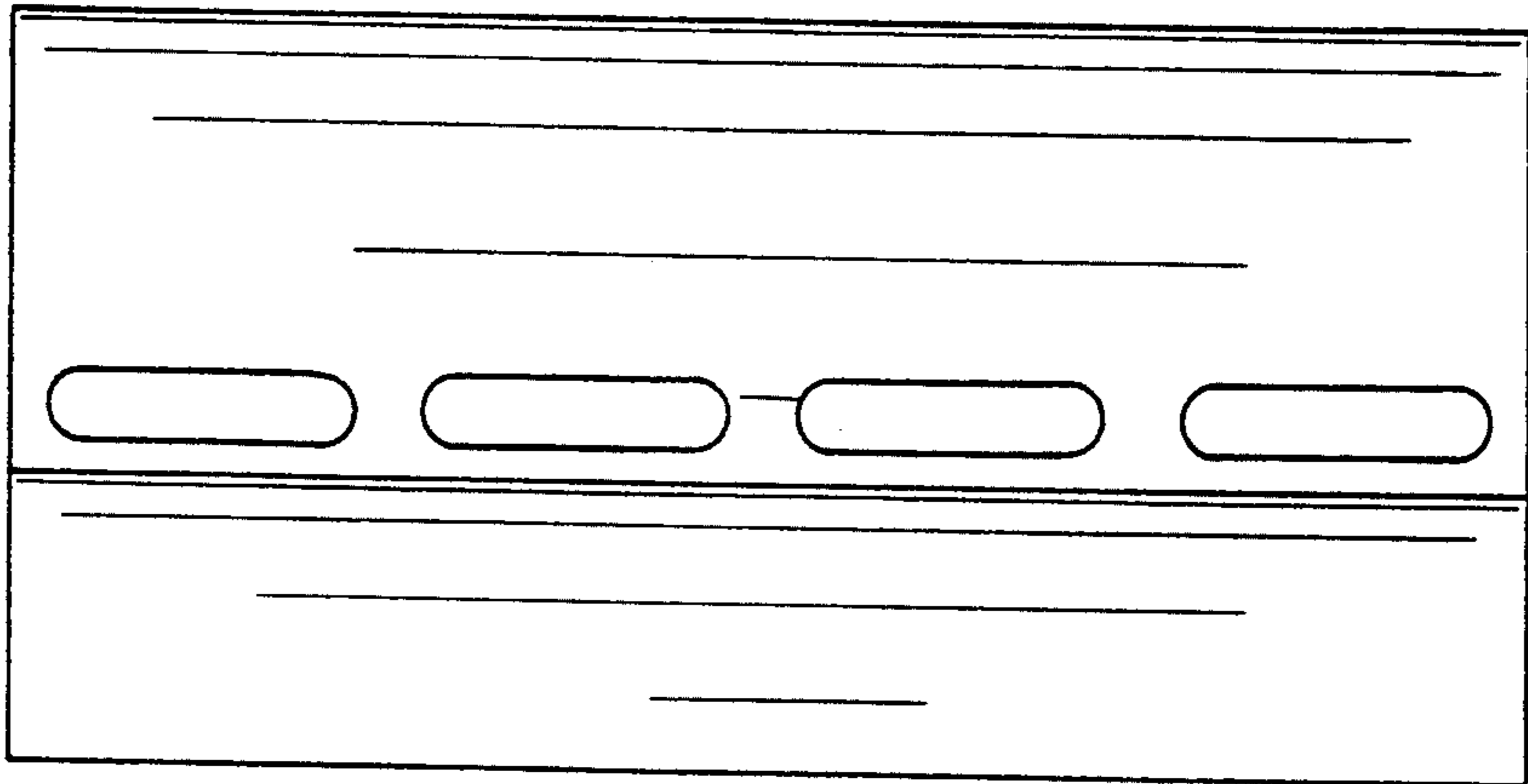


FIG. 3

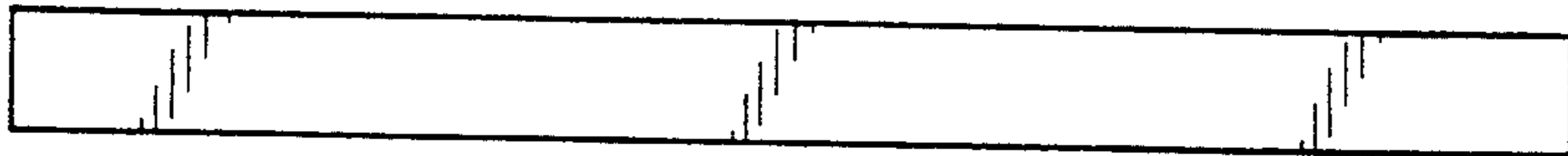


FIG. 4

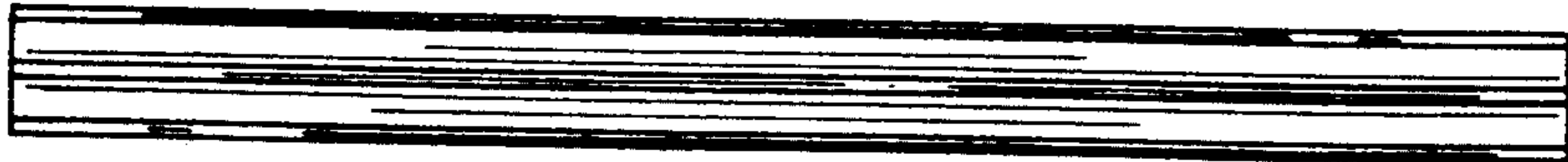


FIG. 5