



US00D342126S

United States Patent [19]

Dubin et al.

[11] Patent Number: **Des. 342,126**

[45] Date of Patent: **** Dec. 7, 1993**

[54] **PORTABLE ELECTRIC HEATER**

[75] Inventors: **Melvin Dubin**, Great Neck; **Rocco Vozzo**, Brooklyn, both of N.Y.

[73] Assignee: **Slant/Fin Corporation**, Greenvale, N.Y.

[**] Term: **14 Years**

[21] Appl. No.: **855,339**

[22] Filed: **Mar. 20, 1992**

Related U.S. Application Data

[63] Continuation-in-part of Ser. No. 699,783, May 13, 1991, Pat. No. Des. 325,962.

[52] U.S. Cl. **D23/335**

[58] Field of Search **D23/335, 332, 370, 371, D23/381, 351; 392/347, 373, 374, 375; 416/95, 247 R**

[56] **References Cited**

U.S. PATENT DOCUMENTS

D. 235,067	5/1975	Rasmussen	D23/330
D. 235,263	6/1975	Rasmussen	D23/330
2,268,233	12/1941	Wilson et al.	392/373
4,227,068	10/1980	Carter	D23/351

OTHER PUBLICATIONS

Electrical Merchandising, Aug. 14, 1961, p. 6, Reflector Heater.

Electrical Merchandising Week, Siegler ad, Gas Base-board Heater, bottom right side of page.

Primary Examiner—Wallace R. Burke

Assistant Examiner—Lisa Lichtenstein

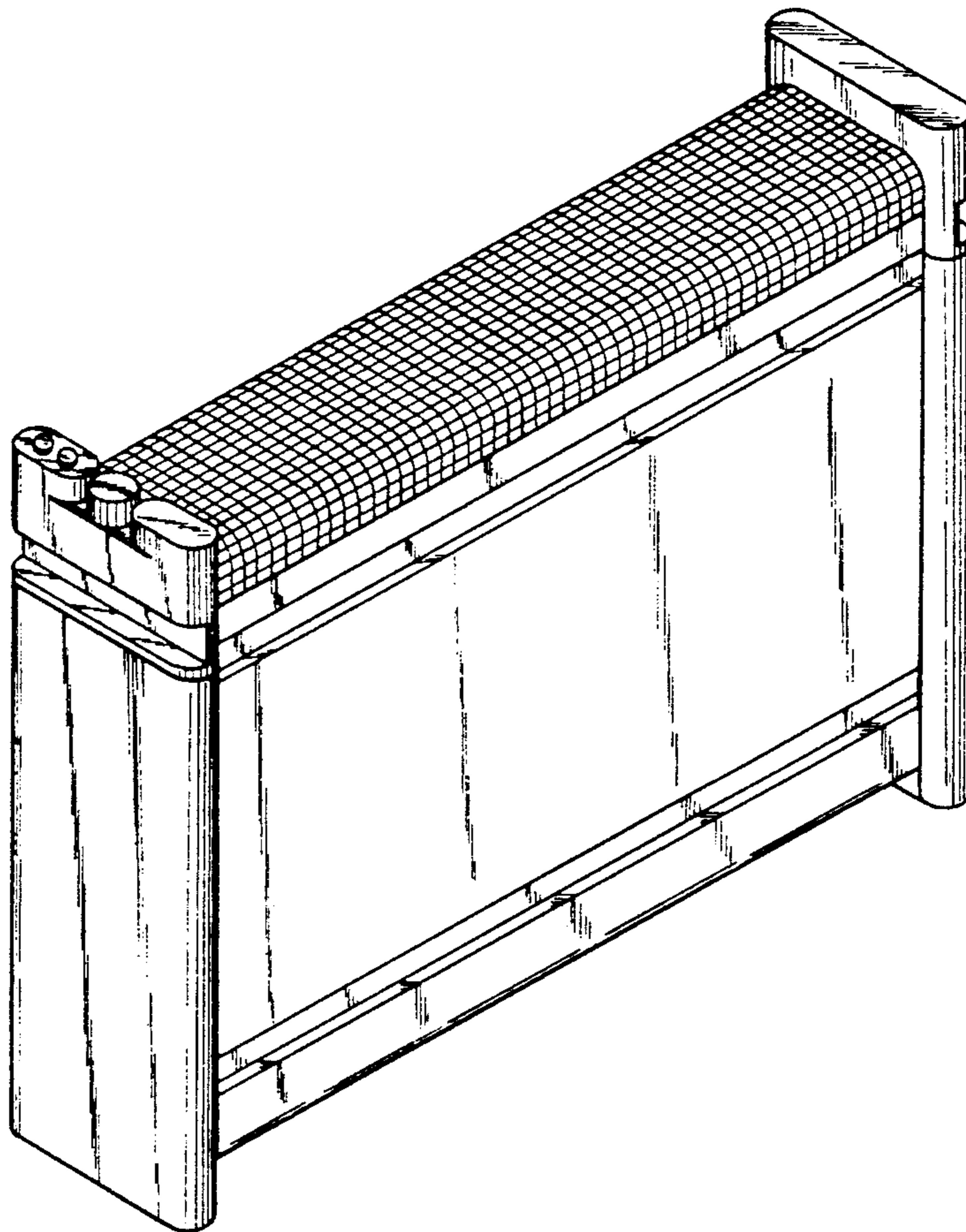
Attorney, Agent, or Firm—Herbert Dubno; Ronald Lianides

[57] **CLAIM**

The ornamental design for a portable electric heater, as shown and described.

DESCRIPTION

FIG. 1 is a left end, top, and front perspective view of a portable electric heater showing our new design; and, FIG. 2 is a right end, bottom, and rear perspective view thereof.



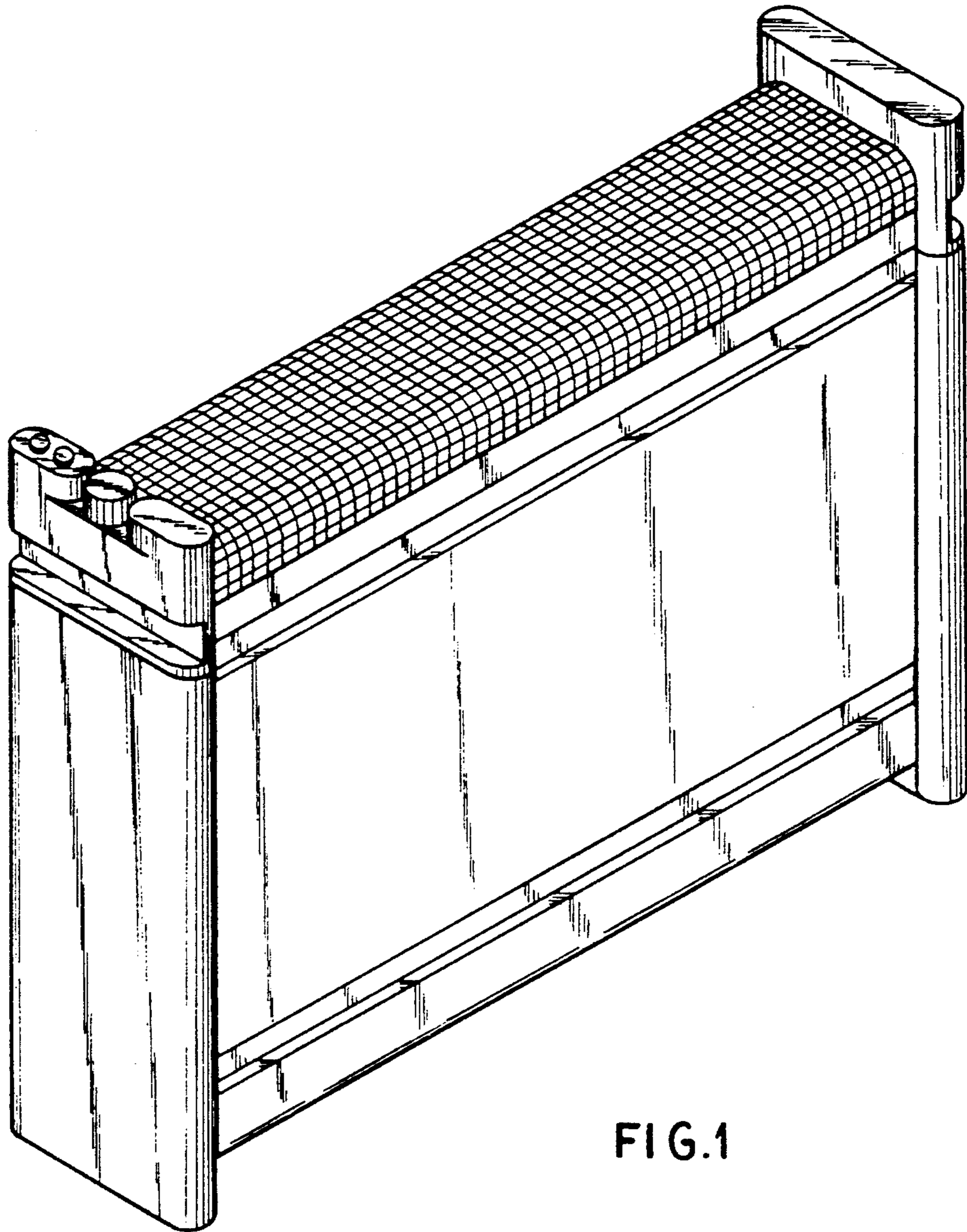


FIG. 1

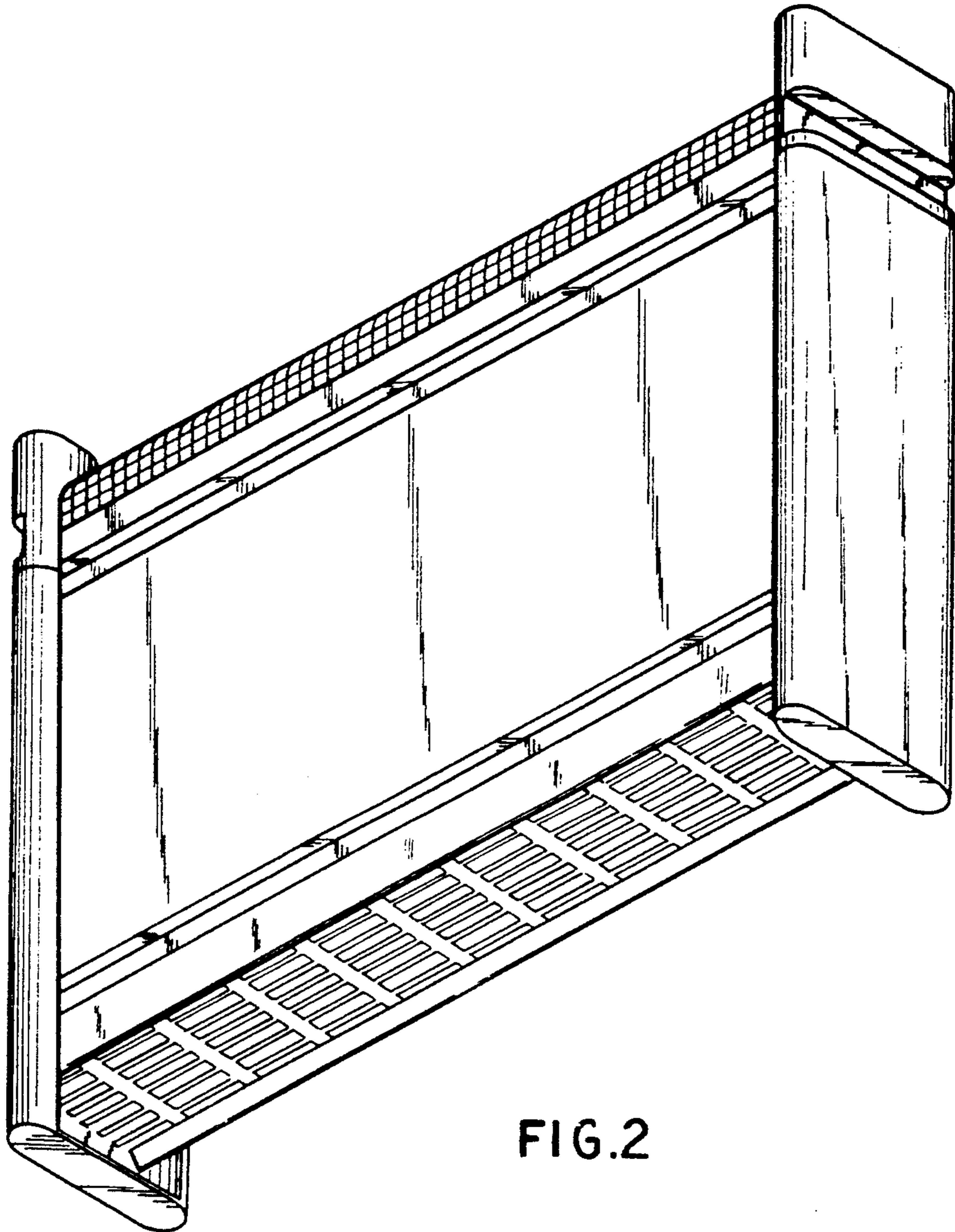


FIG. 2