



US00D342125S

**United States Patent** [19]  
**Miller**

[11] **Patent Number: Des. 342,125**  
[45] **Date of Patent: \*\* Dec. 7, 1993**

[54] **OIL HEAT EXCHANGER**

[76] **Inventor: Elmer D. Miller, 820 Walnut Creek Dr., Austin, Tex. 78753**

[\*\*] **Term: 14 Years**

[21] **Appl. No.: 902,279**

[22] **Filed: Jun. 19, 1992**

[52] **U.S. Cl. .... D23/323; D23/314; D23/386**

[58] **Field of Search ..... D23/314, 323, 499, 386; 165/143**

[56] **References Cited**

**U.S. PATENT DOCUMENTS**

D. 280,547 9/1985 Fukumoto ..... D23/314  
2,432,362 12/1947 Worn et al. .... 165/143

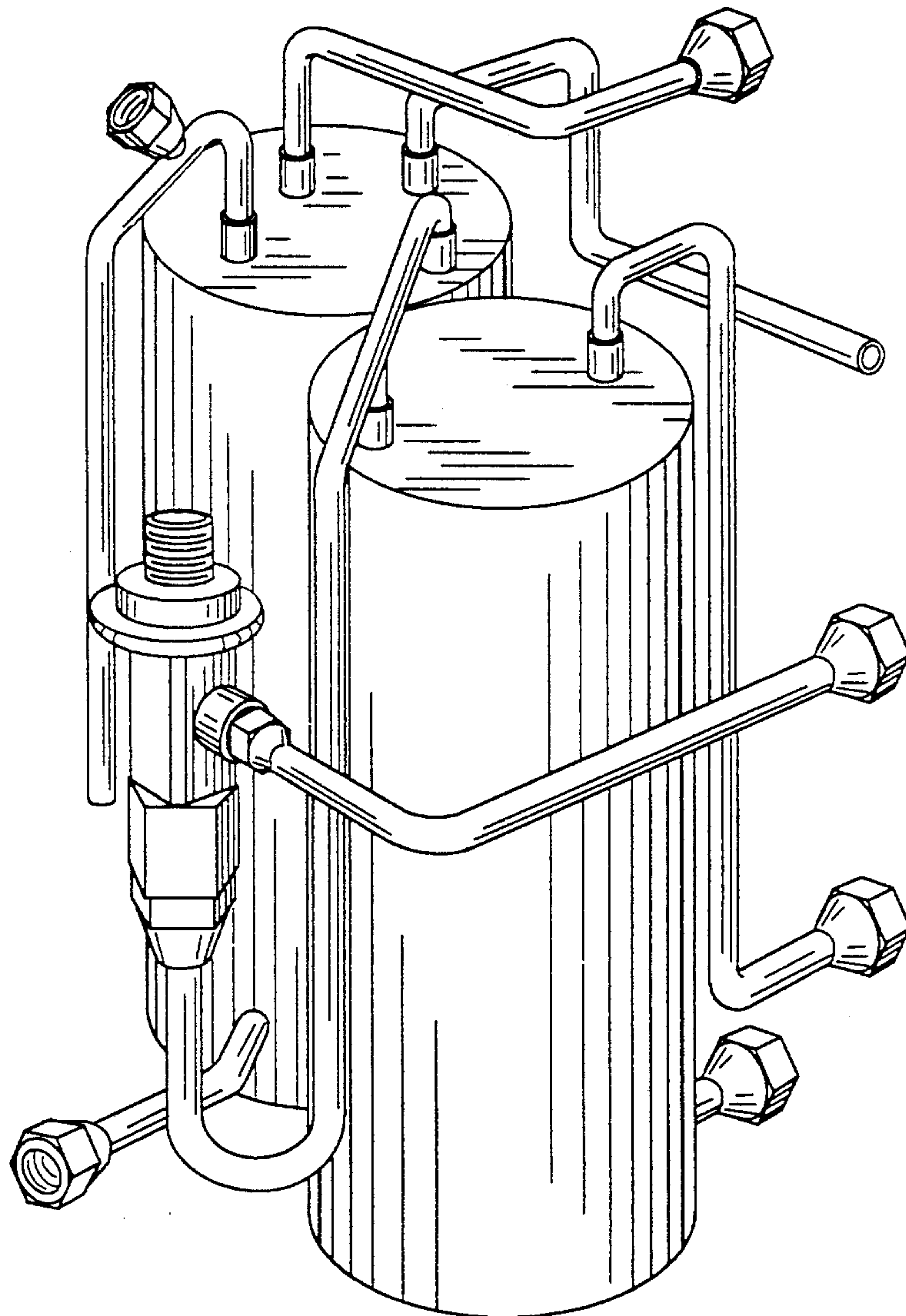
*Primary Examiner—Wallace R. Burke*  
*Assistant Examiner—Lisa Lichtenstein*  
*Attorney, Agent, or Firm—Gunn, Lee & Miller*

[57] **CLAIM**

The ornamental design for an oil heat exchanger, as shown.

**DESCRIPTION**

FIG. 1 is a top plan view showing my new design; FIG. 2 is a front elevation view thereof; FIG. 3 is a rear elevation view thereof; FIG. 4 is a bottom plan view thereof; FIG. 5 is a right side elevation view thereof; FIG. 6 is a left side elevation view thereof; and, FIG. 7 is a top, front, right side perspective view thereof.



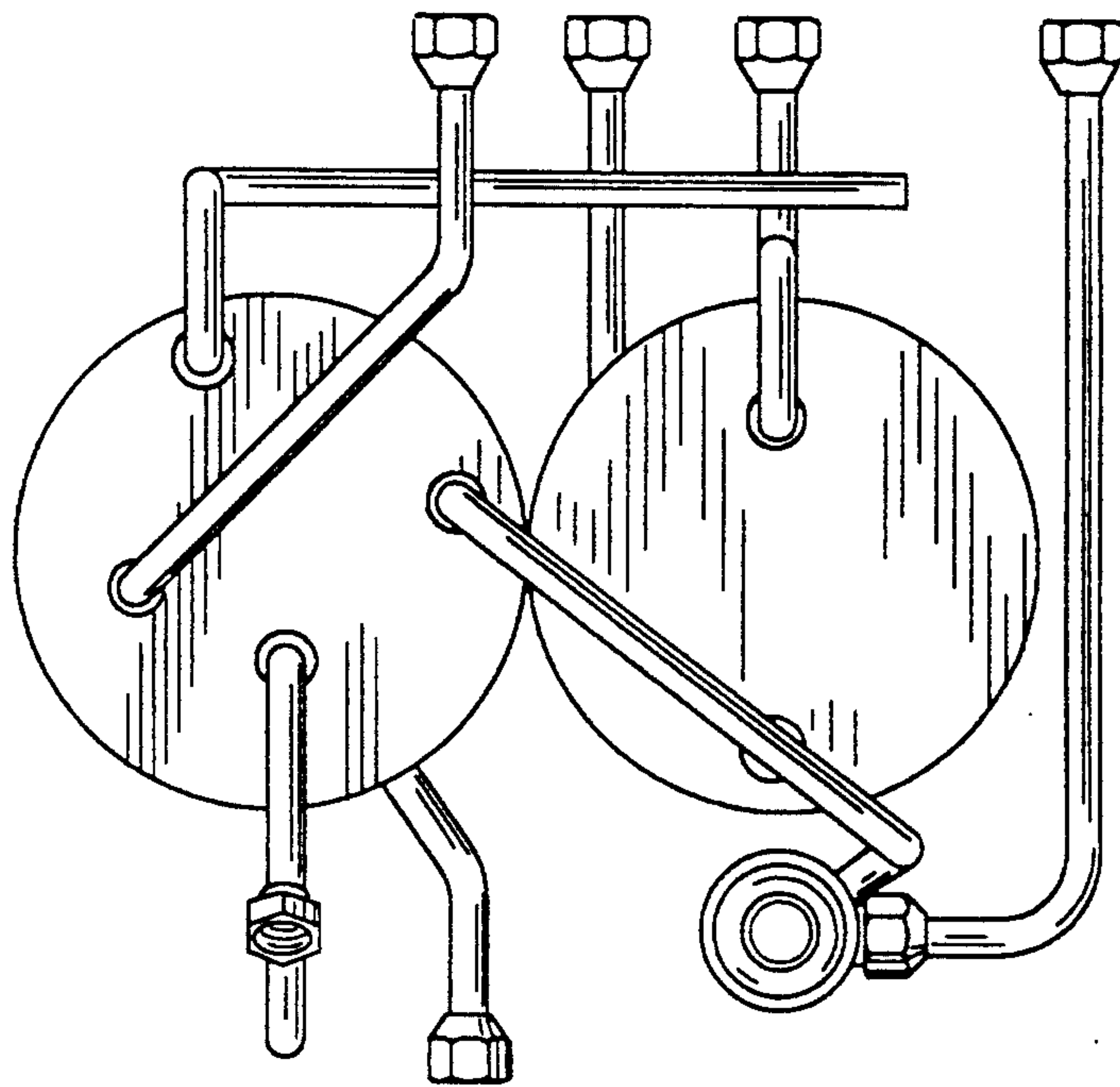


Fig. 1

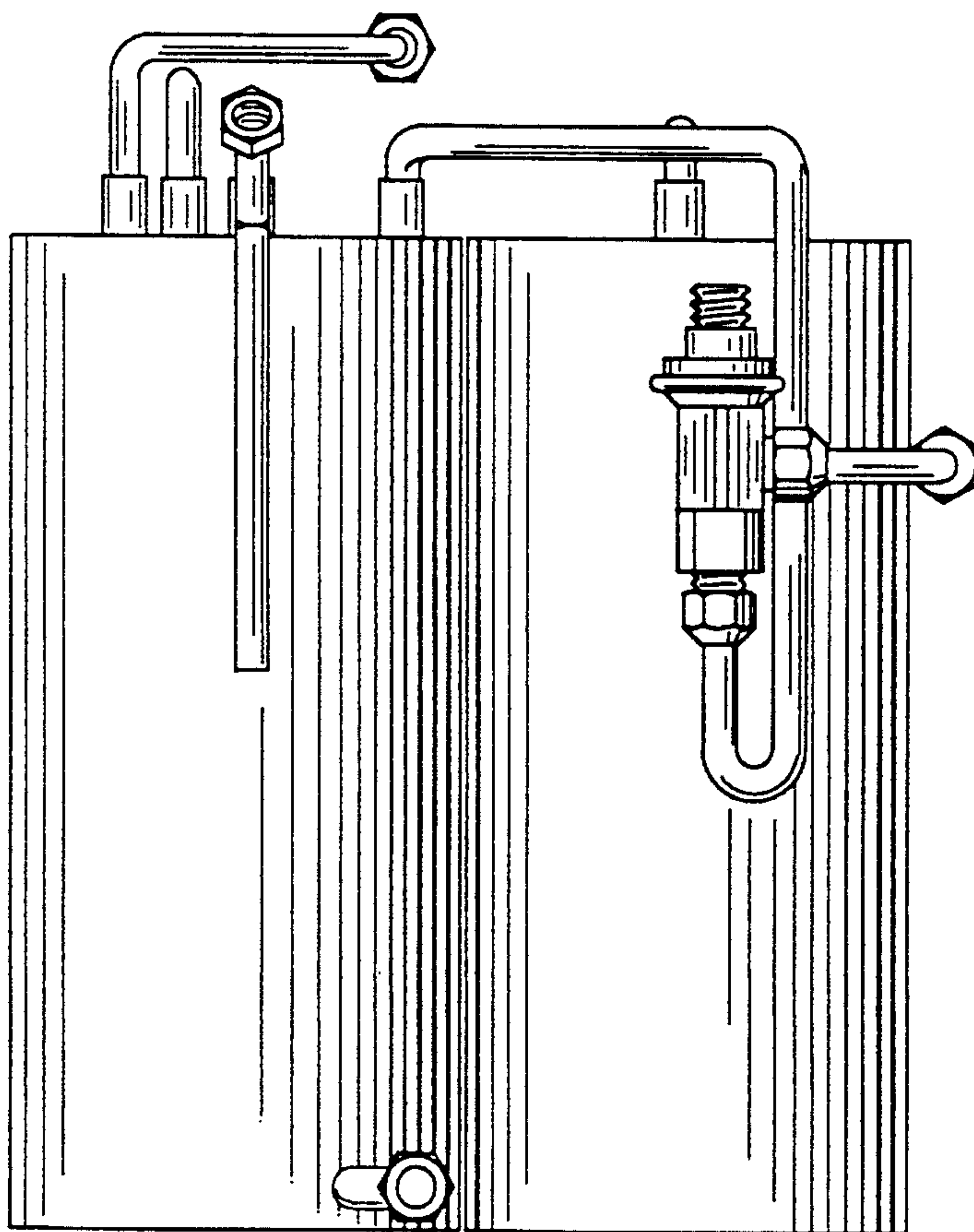


Fig. 2

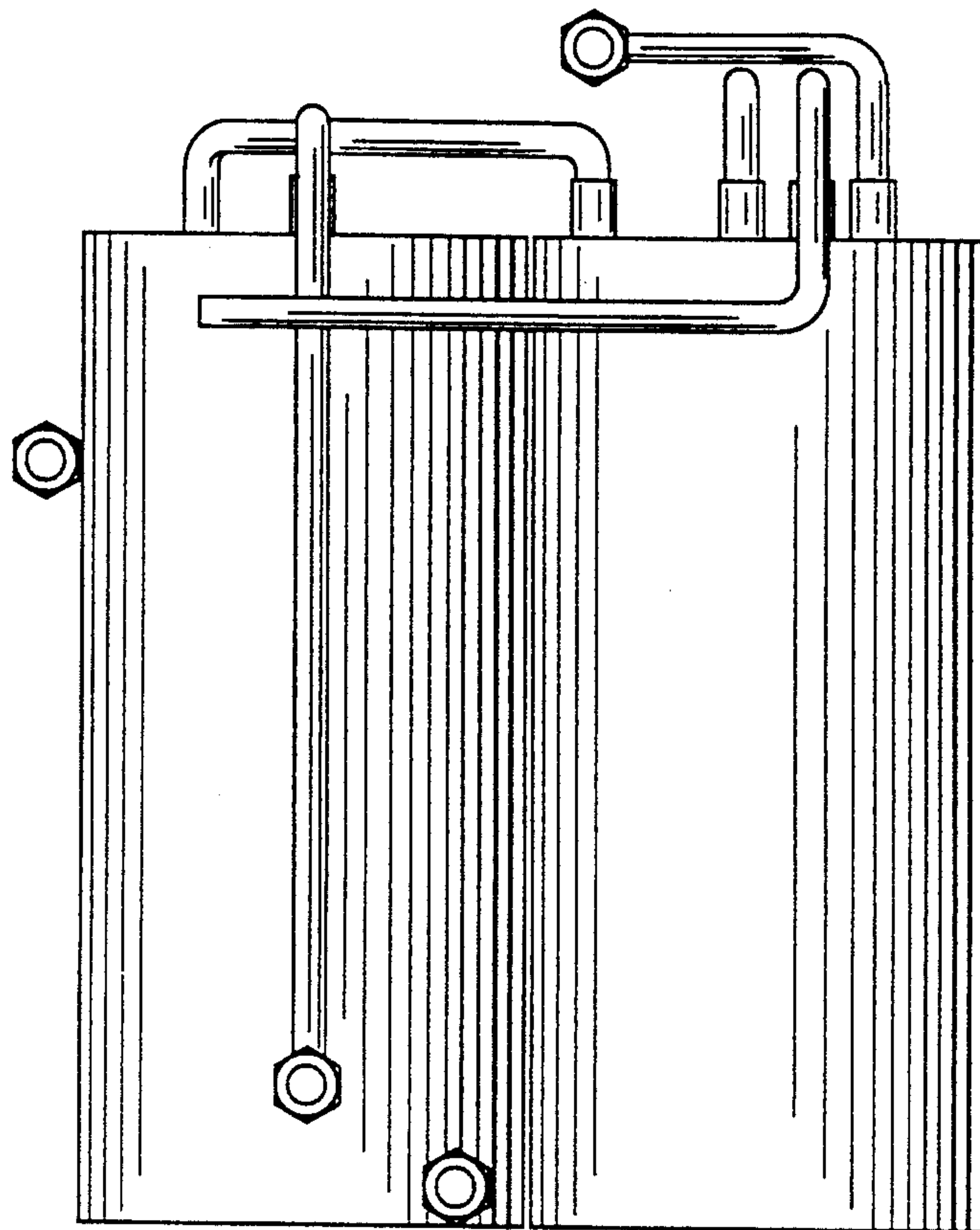


Fig. 3

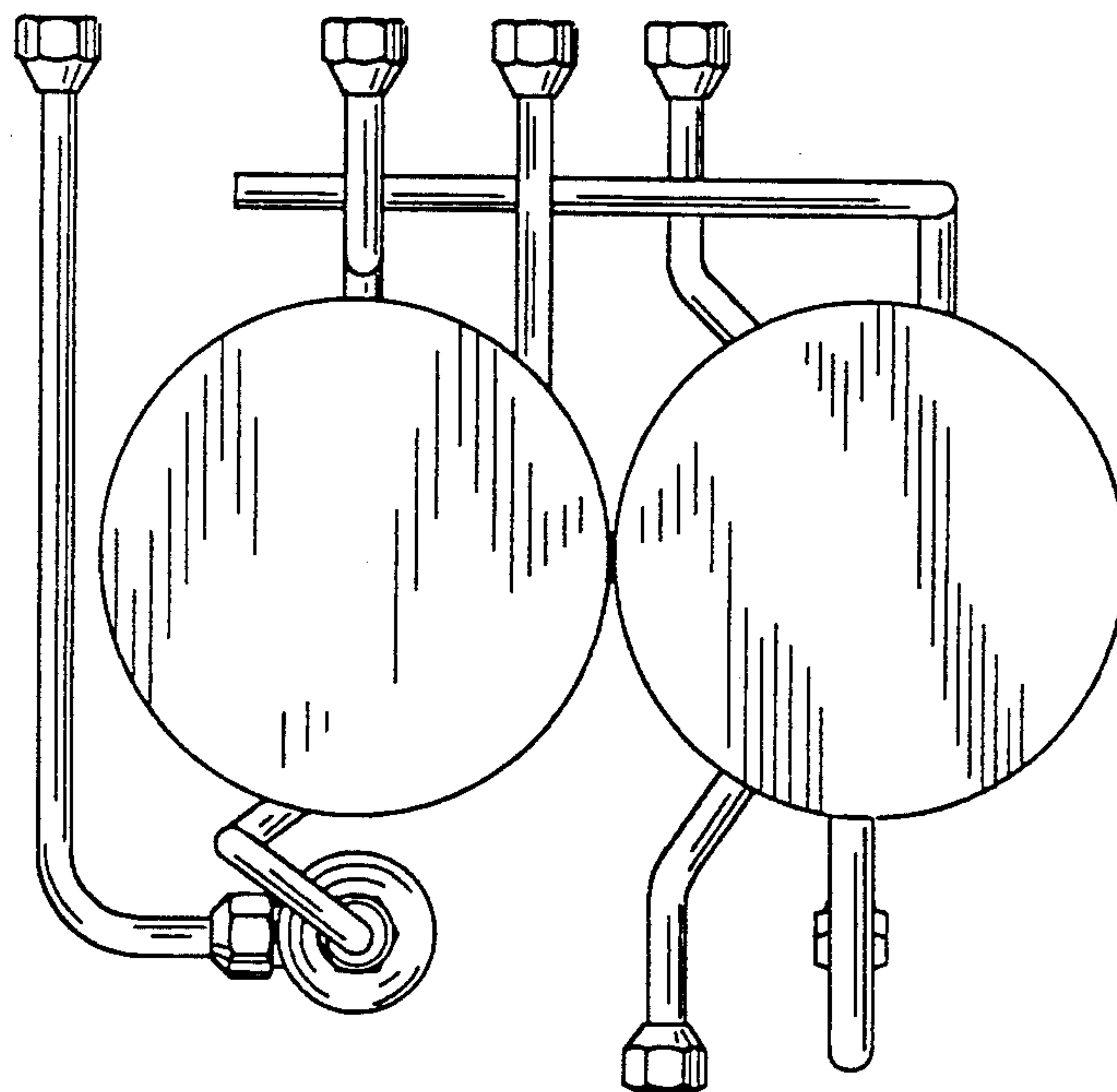


Fig. 4

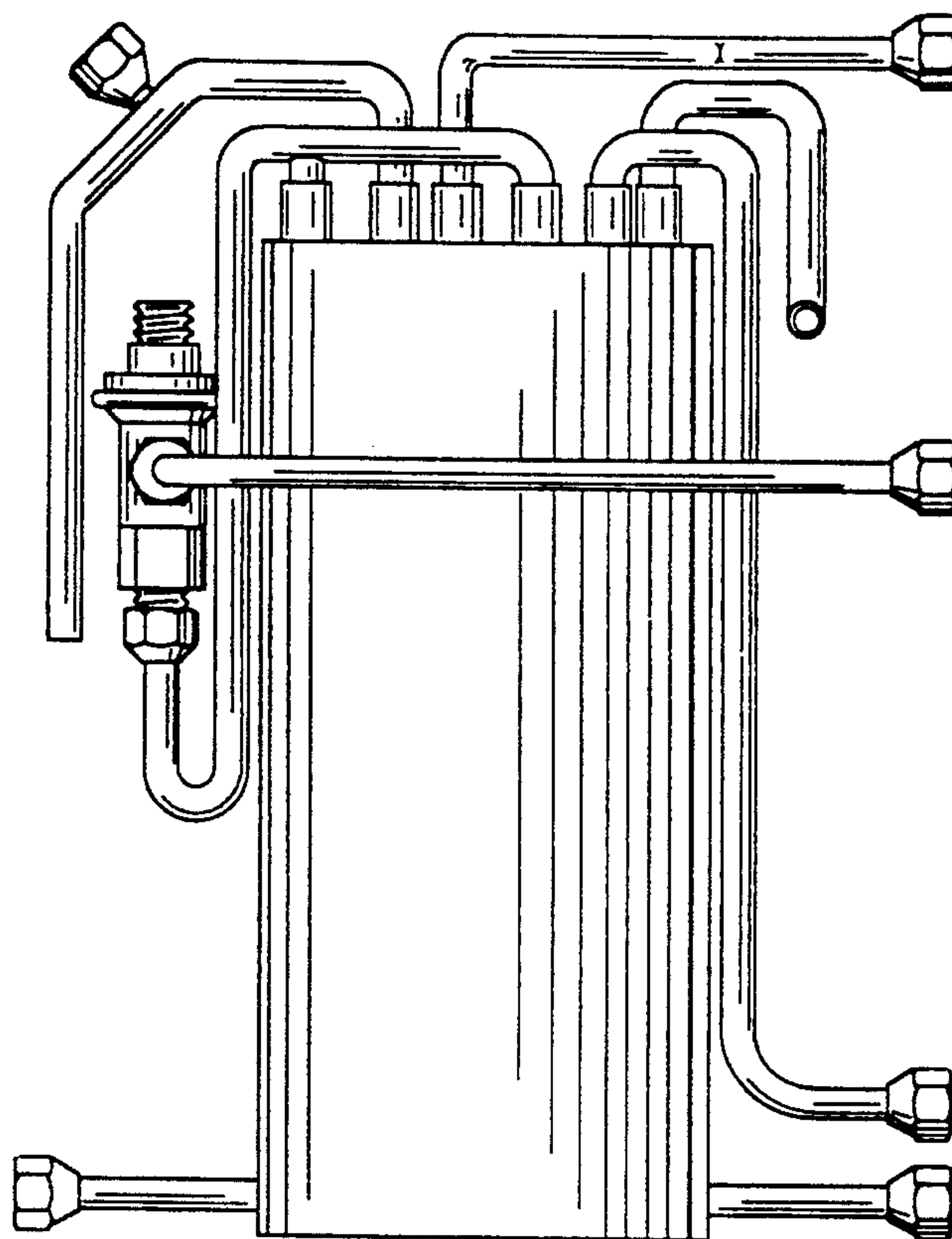


Fig. 5

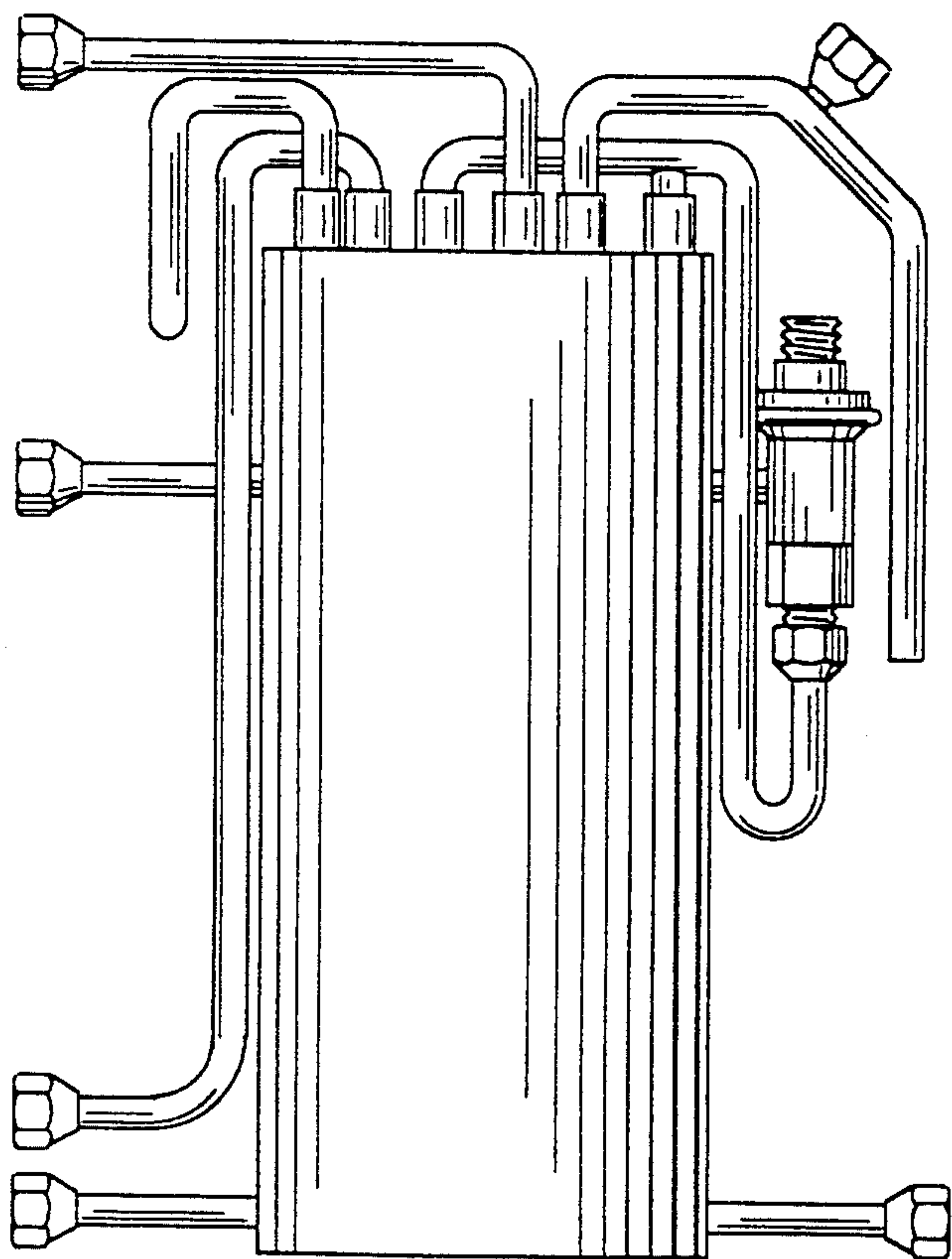


Fig. 6



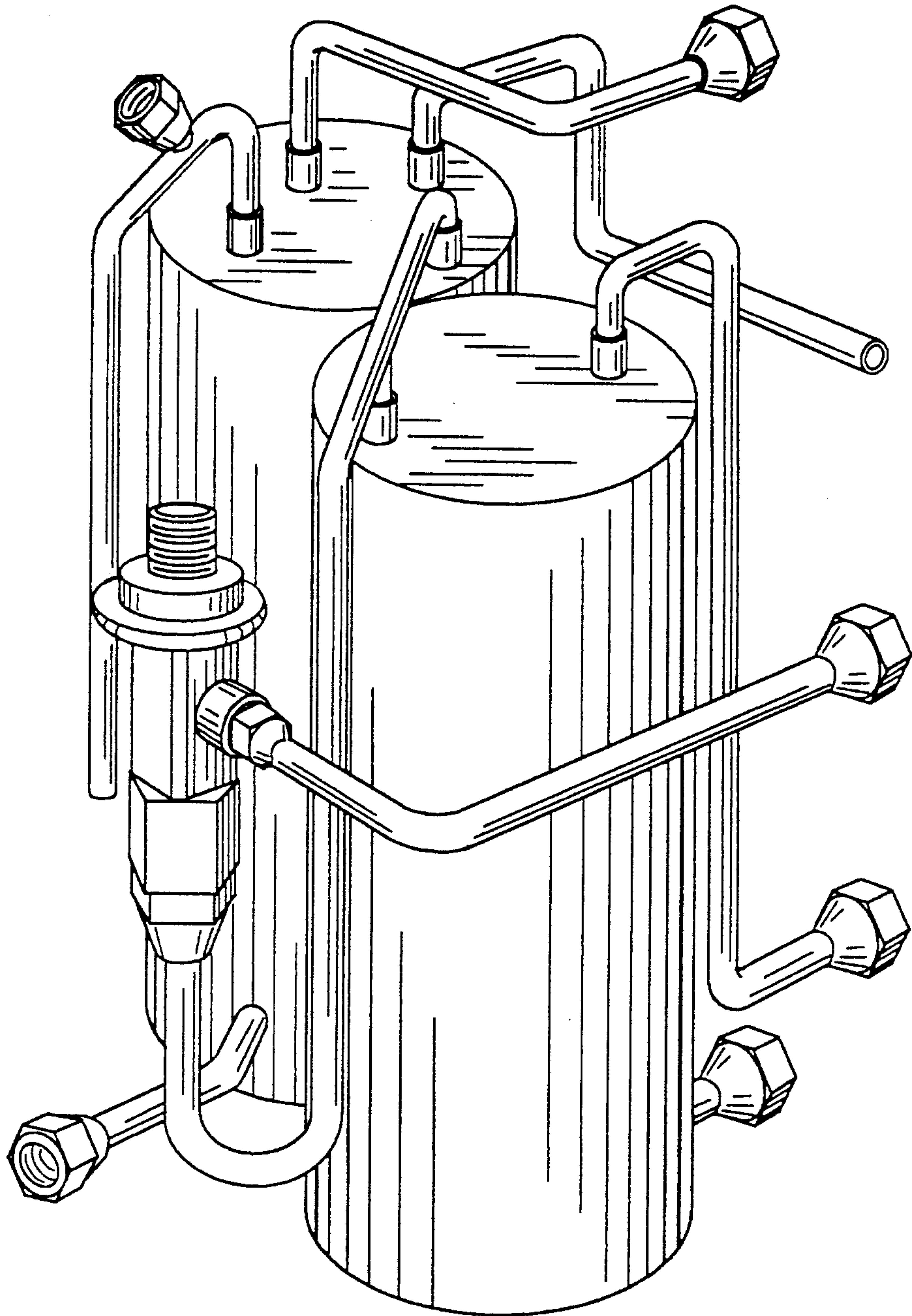


Fig. 7