



US00D342122S

United States Patent [19]

[11] Patent Number: **Des. 342,122**

Jensen

[45] Date of Patent: **** Dec. 7, 1993**

[54] **COMBINED TOILET AND TOILET SEAT**

[76] Inventor: **Bjorn A. Jensen, 1385, Iron Springs Rd., Prescott, Ariz. 86301**

[**] Term: **14 Years**

[21] Appl. No.: **775,378**

[22] Filed: **Oct. 15, 1991**

[52] U.S. Cl. **D23/295**

[58] Field of Search **D23/295-301, D23/309-312, 329-332, 420**

D. 275,599	9/1984	Ecthoven	D23/295 X
941,539	11/1909	Sharp, Jr.	D23/301
1,155,885	10/1915	Catchings	4/420
1,254,609	1/1918	Lally, Jr.	4/420
2,099,118	11/1937	Kennedy	4/420

Primary Examiner—James R. Largen
Attorney, Agent, or Firm—Richard G. Harrer

[57] **CLAIM**

The ornamental design for combined toilet and toilet seat, as shown and described.

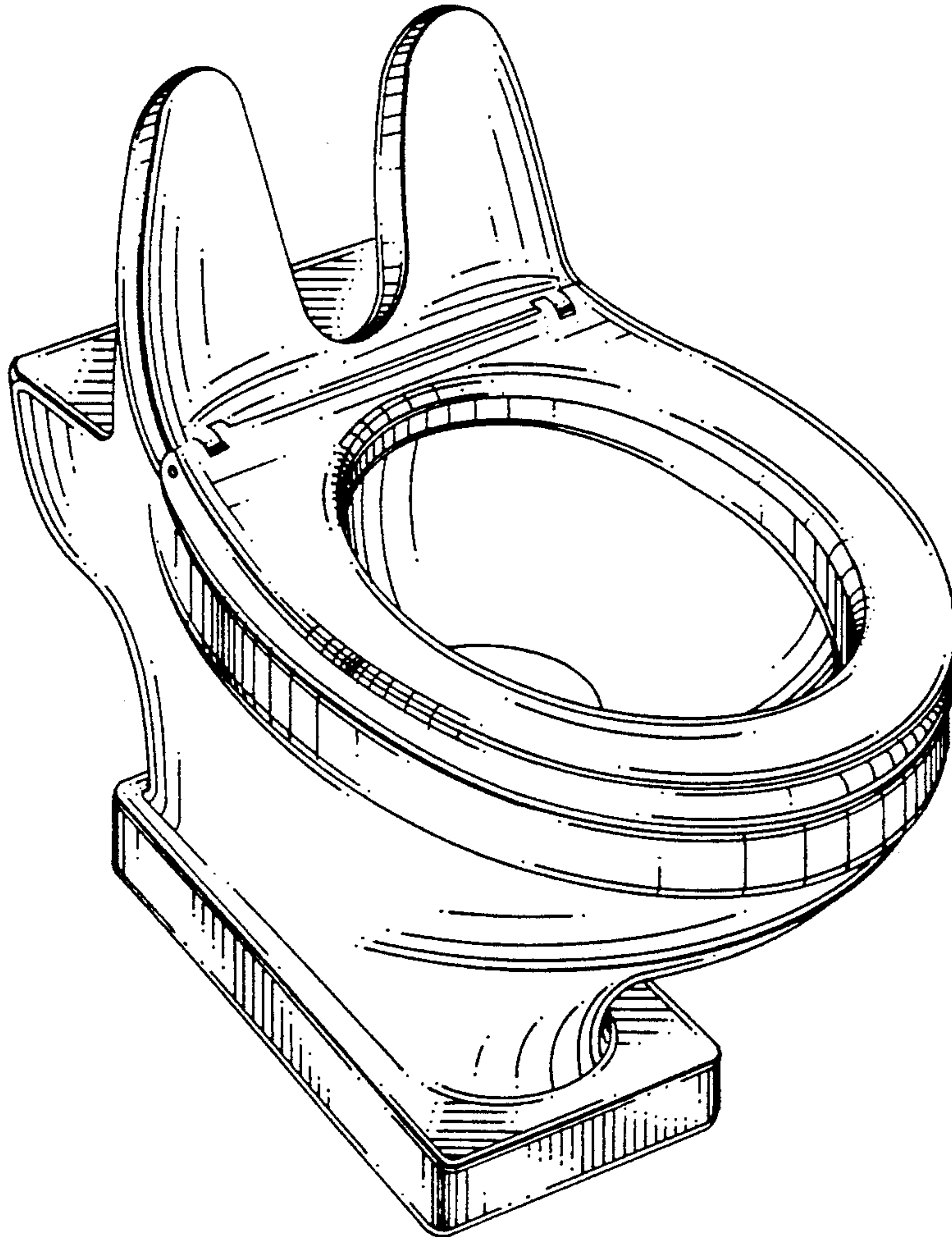
DESCRIPTION

FIG. 1 is a perspective view of a combined toilet and toilet seat showing my new design;
FIG. 2 is a right side elevational view thereof, the left side being a mirror image of the right side;
FIG. 3 is a front elevational view thereof;
FIG. 4 is a rear elevational view thereof; and,
FIG. 5 is a top view thereof.
The broken lines showing of a water tank in FIG. 2 is for illustrative purposes only and forms no part of the claimed design.

[56] **References Cited**

U.S. PATENT DOCUMENTS

D. 116,810	9/1939	Uphues	D23/301
D. 119,871	4/1940	Van Sciver	D23/295
D. 160,222	9/1950	Skidmore	D23/301
D. 185,643	7/1959	Magid et al.	D23/301
D. 199,235	9/1964	Tiller	D23/301
D. 233,523	11/1974	Sakamoto	D23/295
D. 250,126	10/1978	Ibel	D23/301
D. 264,620	5/1982	Kaiser	D23/301
D. 272,382	1/1984	Bengtson	D23/295



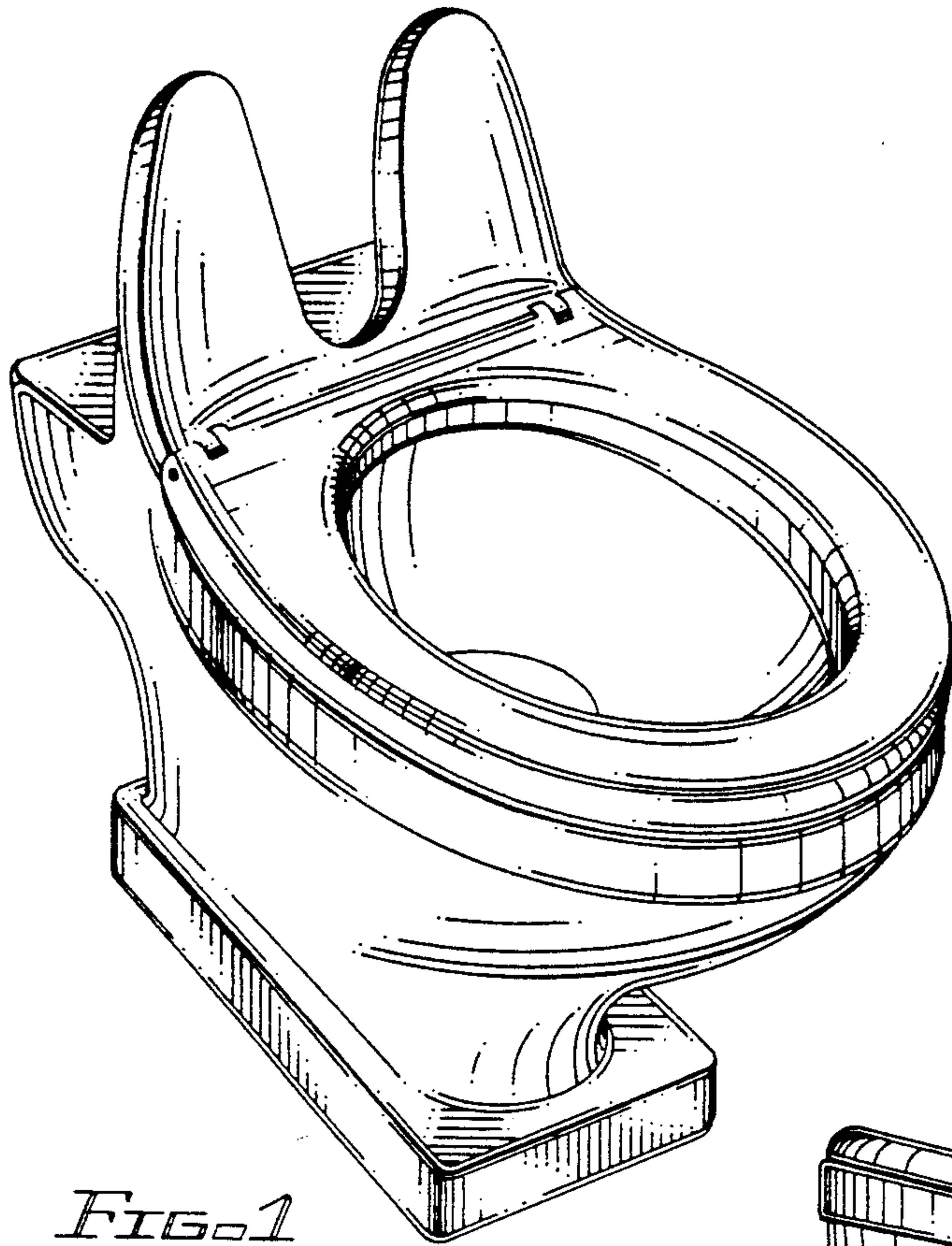


FIG. 1

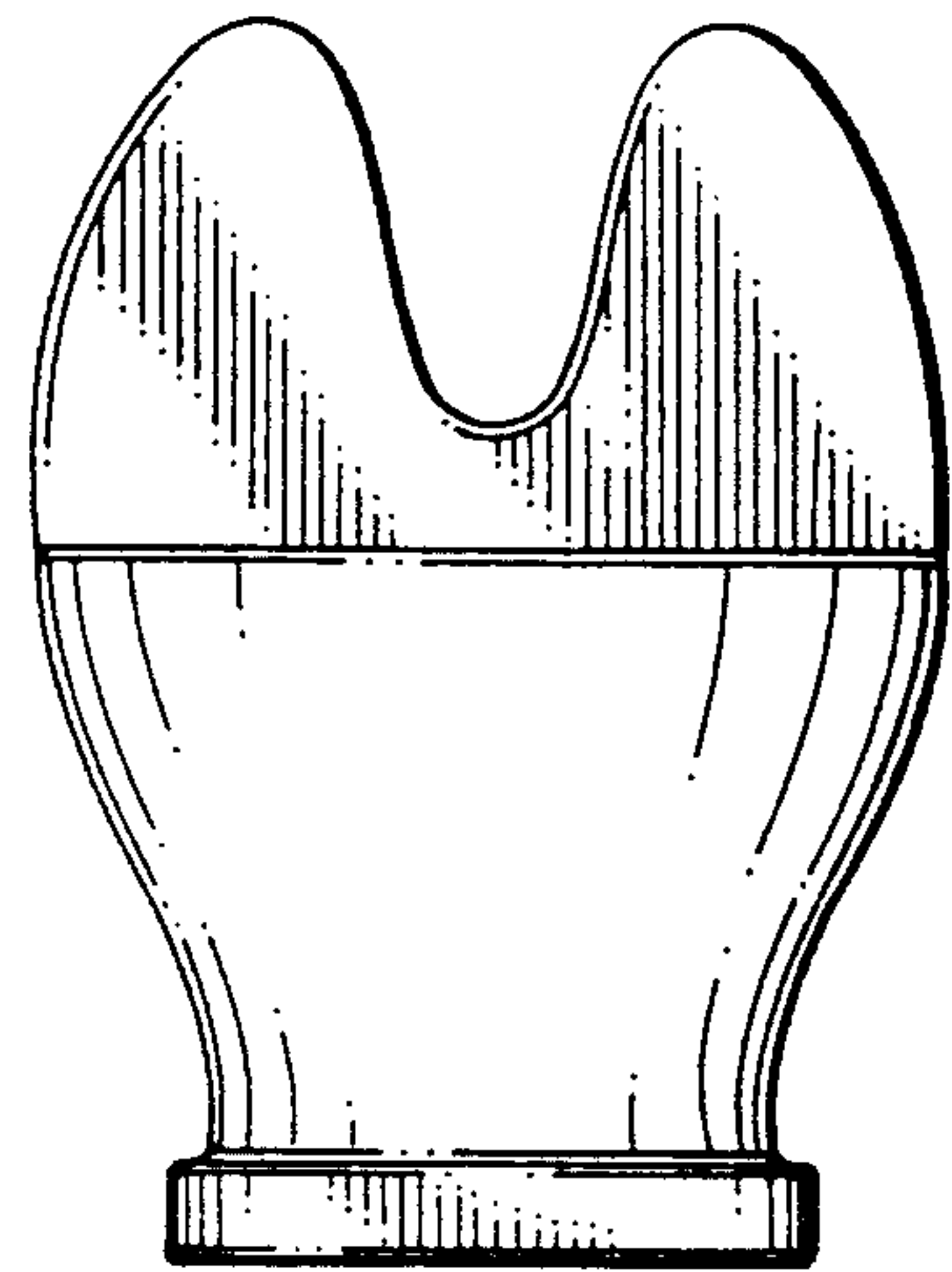


FIG. 4

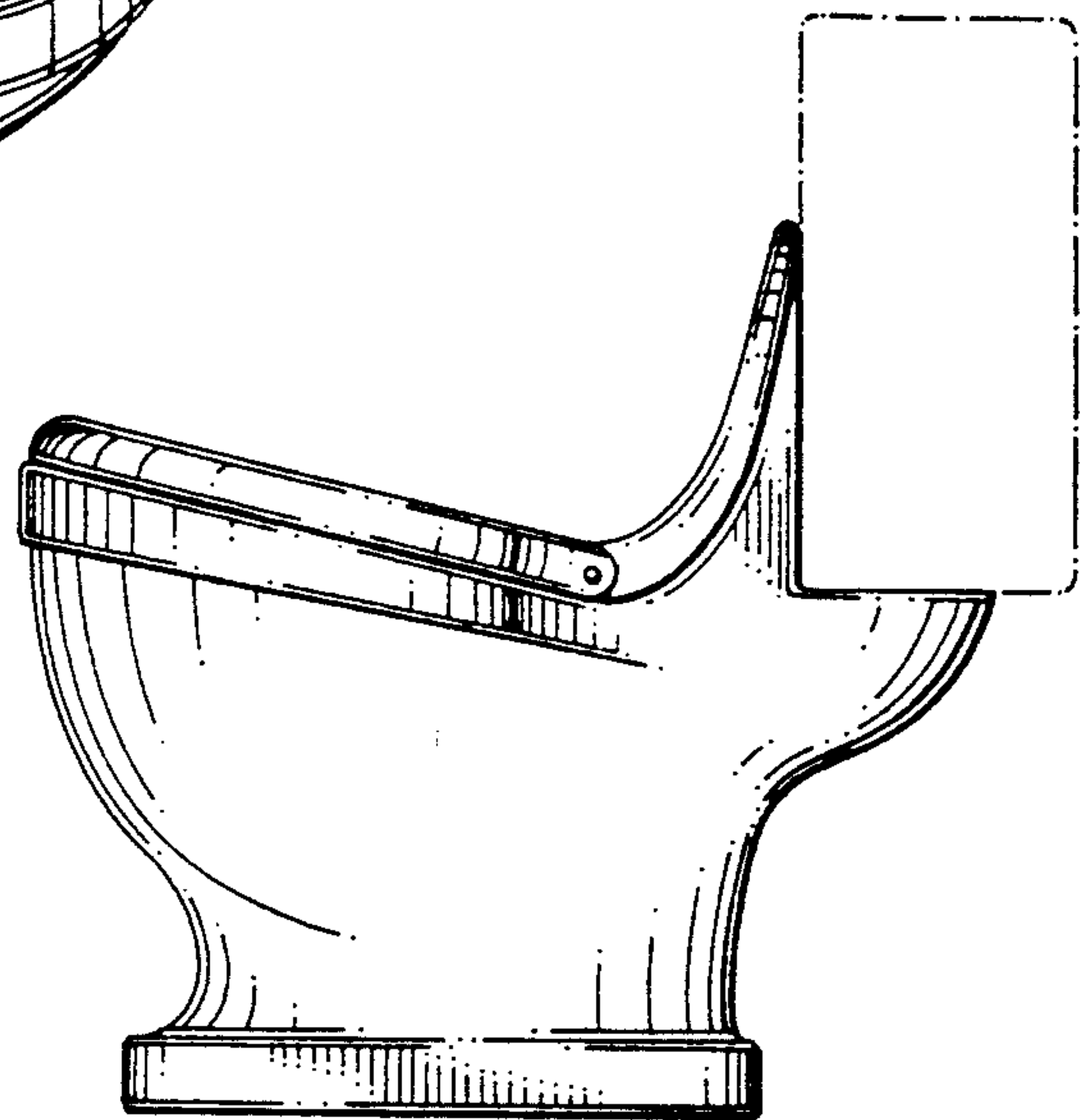


FIG. 2

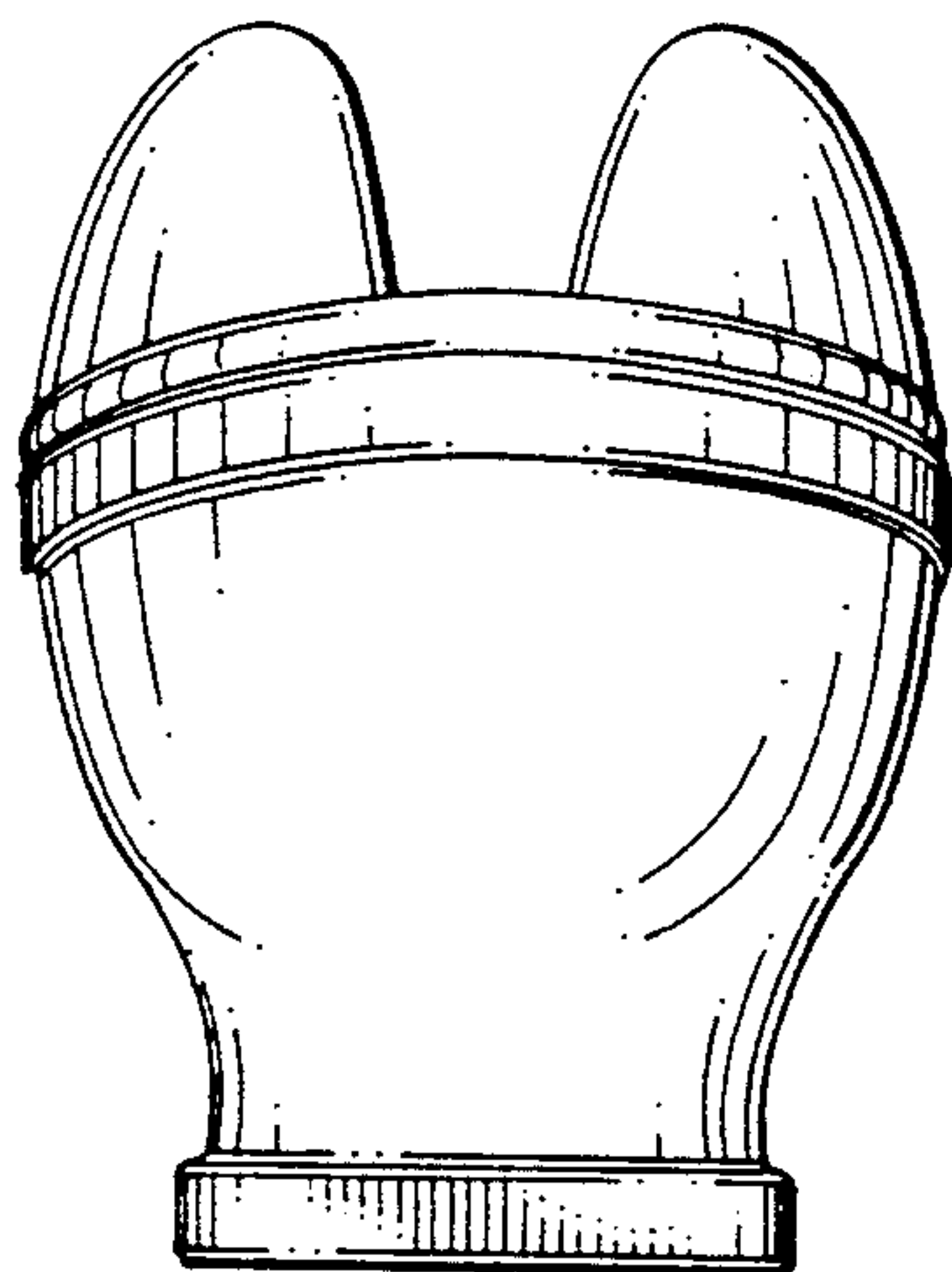


FIG. 3

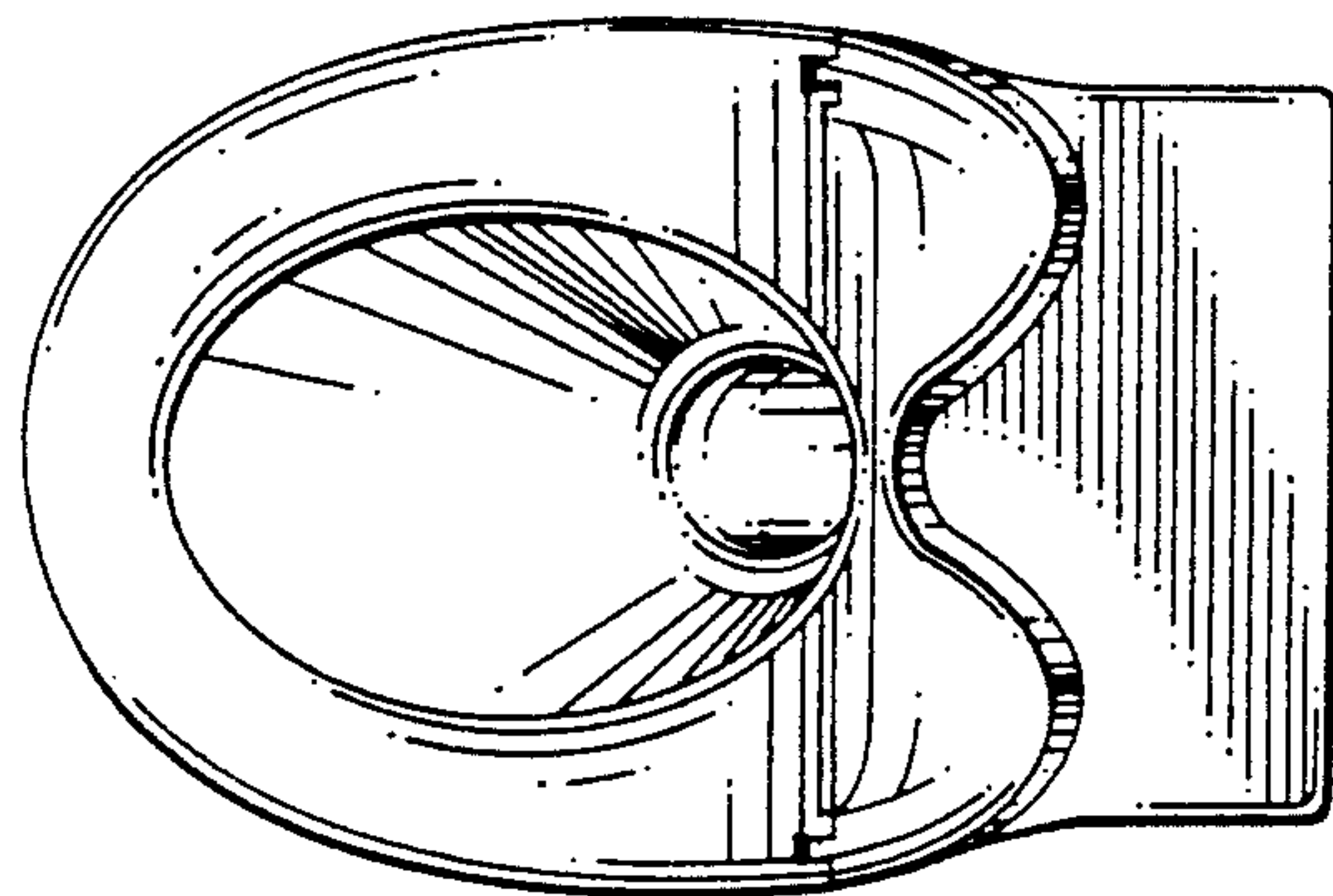


FIG. 5