



US00D342121S

# United States Patent [19]

[11] Patent Number: **Des. 342,121**

Lim

[45] Date of Patent: **\*\* Dec. 7, 1993**

[54] **COMBINED FOLDABLE AND PORTABLE SINK TABLE**

2,944,862	7/1960	Heil	312/241 X
4,034,518	7/1977	Trecker	312/241 X
4,919,498	4/1990	Turner	312/241
4,934,280	6/1990	Bae	108/25 X

[76] Inventor: **Jong Yeup Lim**, Samik Apartment  
7-404, Myongil-dong 270,  
Kangdong-gu, Seoul, Rep. of Korea

### FOREIGN PATENT DOCUMENTS

[\*\*] Term: **14 Years**

884304 11/1989 Rep. of Korea .

[21] Appl. No.: **787,587**

*Primary Examiner*—James R. Largen  
*Attorney, Agent, or Firm*—Brumbaugh, Graves,  
Donohue & Raymond

[22] Filed: **Nov. 4, 1991**

### [30] Foreign Application Priority Data

May 4, 1991 [KR] Rep. of Korea ..... 91-6295

[52] U.S. Cl. .... **D23/286; D6/429**

[58] Field of Search ..... **D23/270-274,  
D23/284-294, 308; 108/25, 34, 35, 99, 115;  
312/228, 241, 244; D6/429, 430**

### [57] CLAIM

The ornamental design for a combined foldable and portable sink table, as shown and described.

### [56] References Cited

#### U.S. PATENT DOCUMENTS

D. 199,871	12/1964	Lanigan	D6/429
D. 257,592	12/1980	Kinsey	D23/287
D. 263,533	3/1982	Ferdinand	D6/429
D. 285,522	9/1986	Basini	D23/272
D. 328,125	7/1992	Bae	D23/286
1,656,789	1/1928	Haskin	108/99
2,082,380	6/1937	Capra	108/25 X
2,122,275	6/1938	Bitney	108/25 X
2,859,082	11/1958	Logue	108/25 X
2,942,921	6/1960	Rachman et al.	108/26

### DESCRIPTION

FIG. 1 is a perspective view taken from the top, front and left side of a combined foldable and portable sink table showing my new design;

FIG. 2 is a perspective view taken from the top, front and left side showing the unit in a partially folded position;

FIG. 3 is a perspective view showing the unit in its closed position;

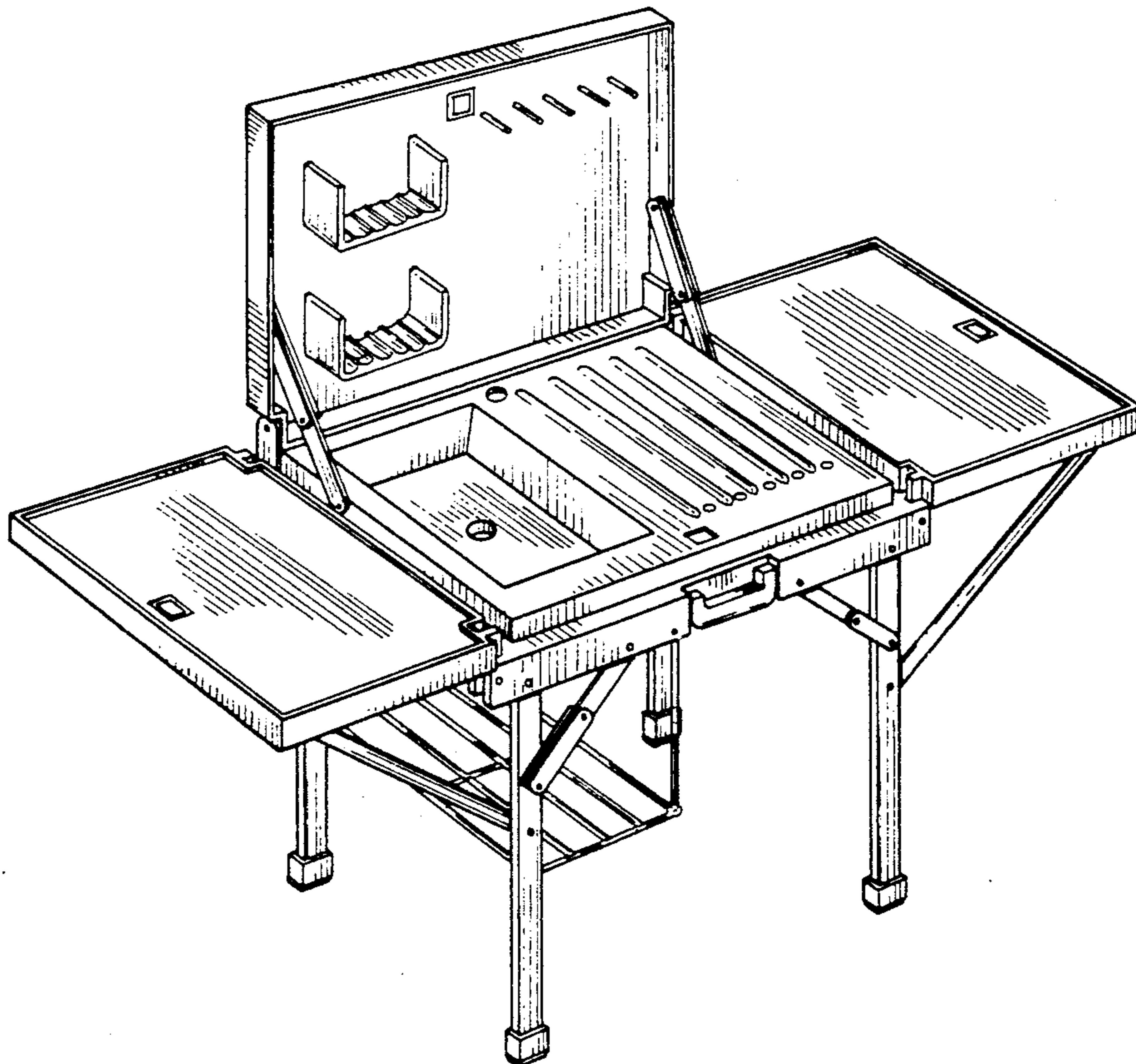
FIG. 4 is a top plan view of FIG. 1;

FIG. 5 is a front elevational view of FIG. 1;

FIG. 6 is a rear elevational view of FIG. 1;

FIG. 7 is a bottom plan view of FIG. 1; and,

FIG. 8 is a left side elevational view of FIG. 1, the right side being a mirror image of the left side.



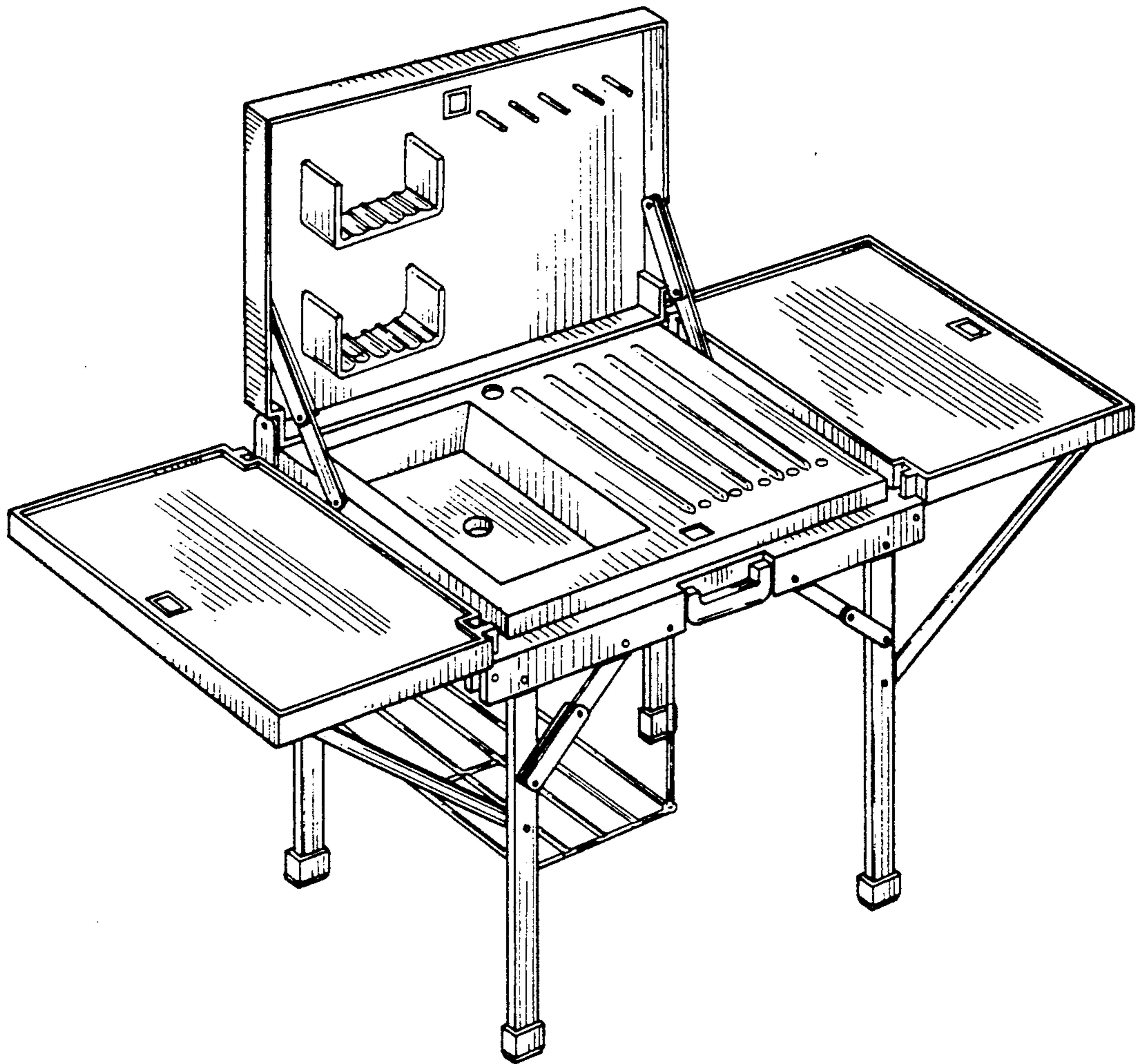


FIG. 1



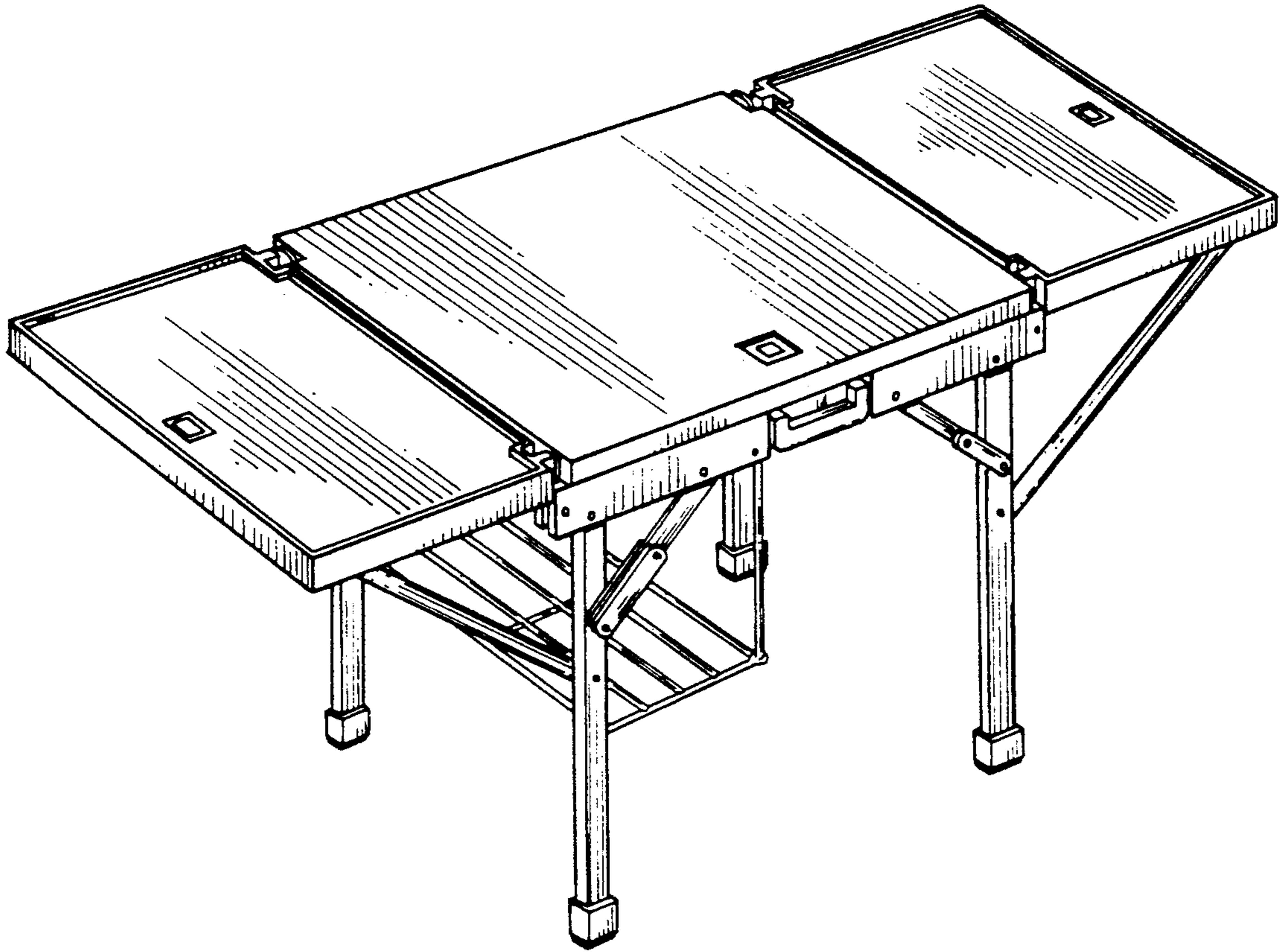


FIG. 2

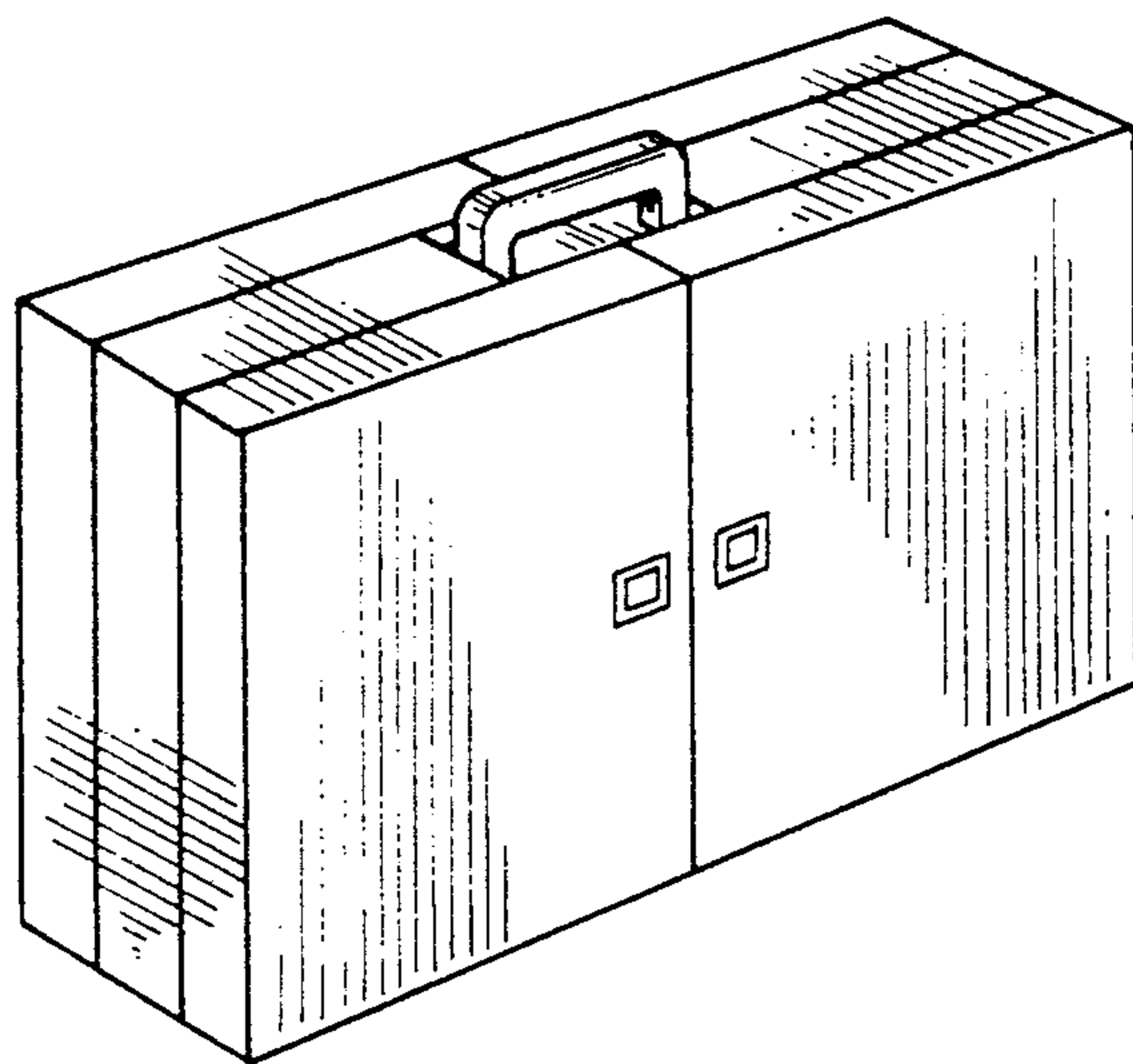


FIG. 3

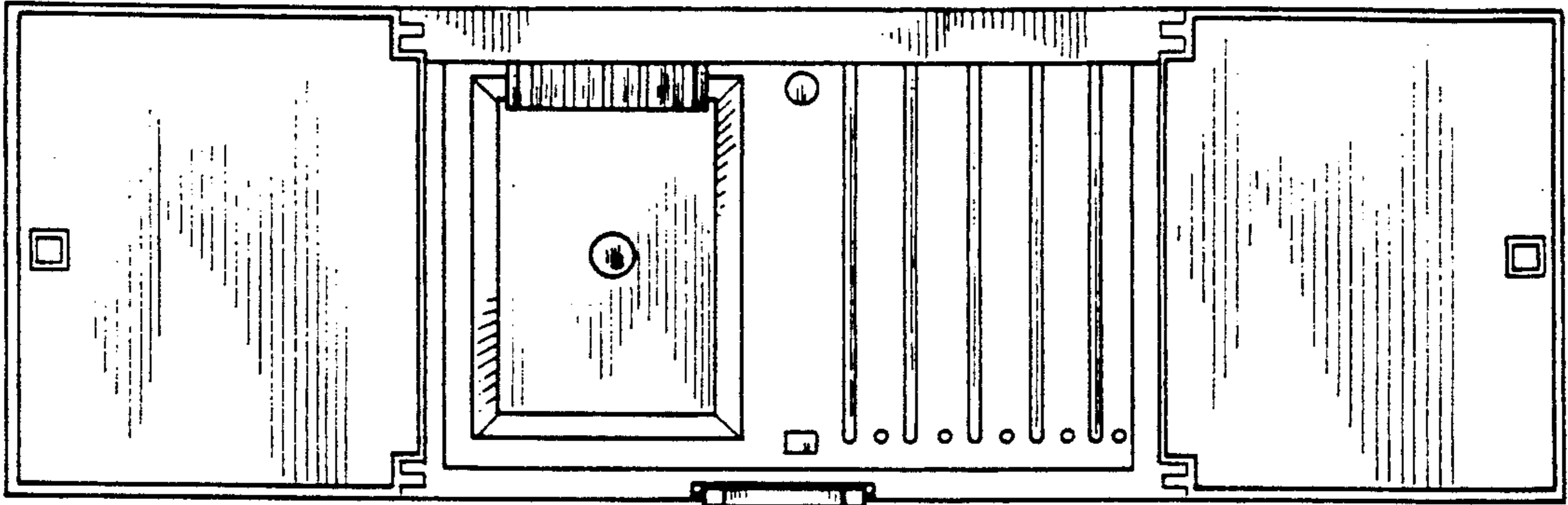


FIG. 4

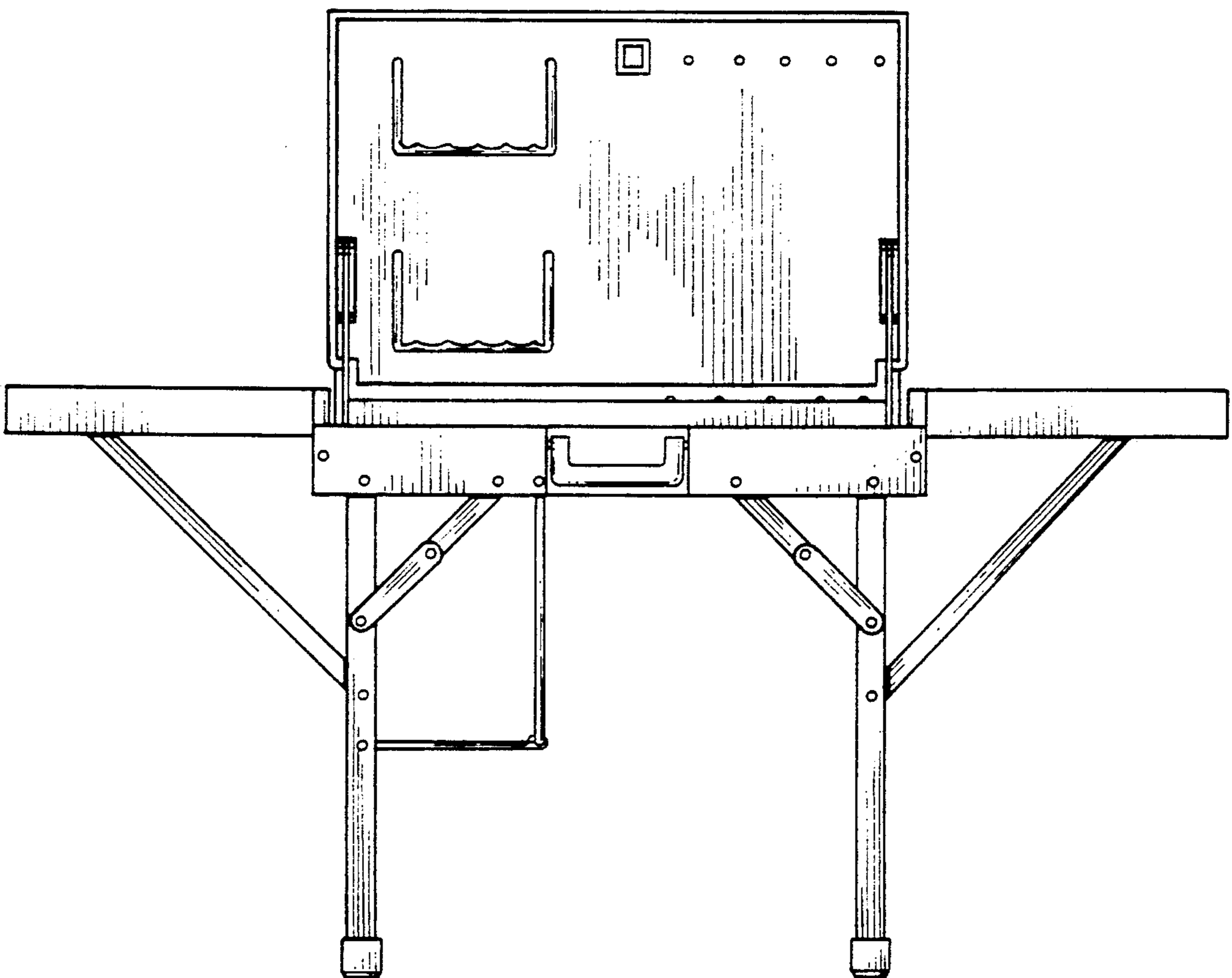


FIG. 5

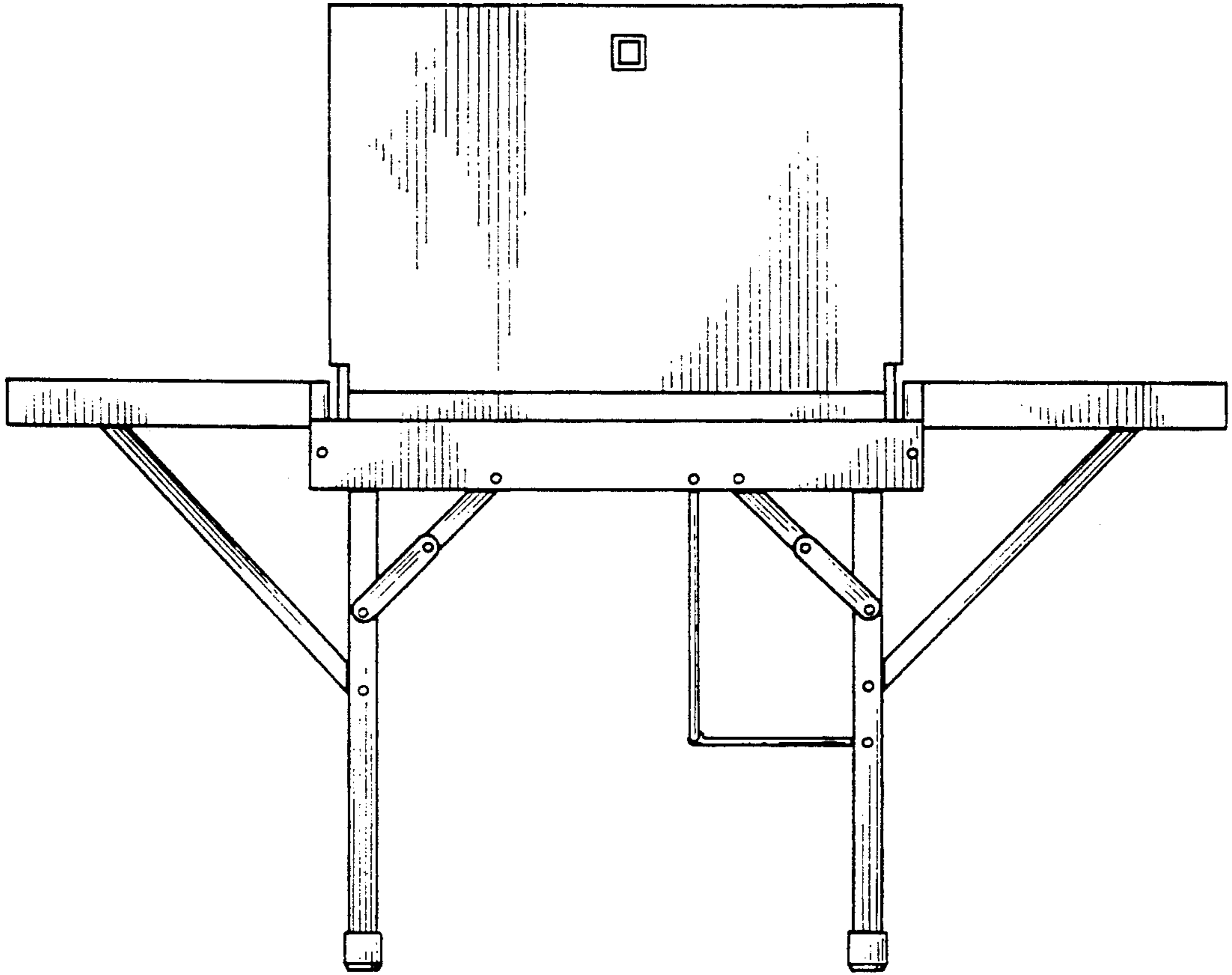


FIG. 6

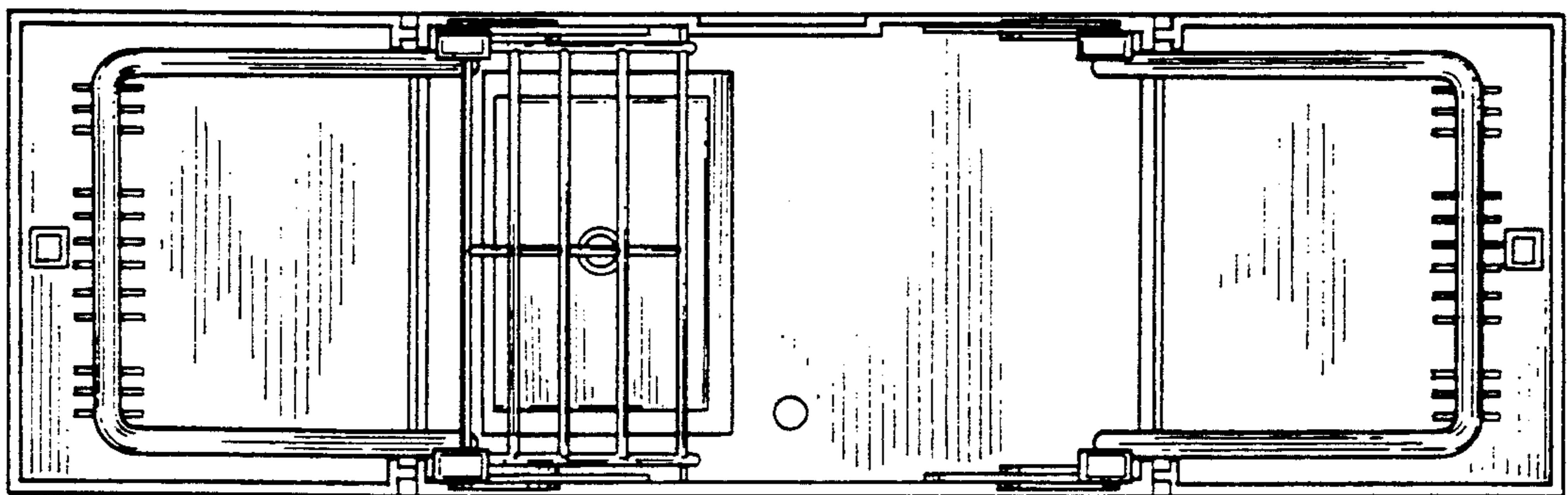


FIG. 7

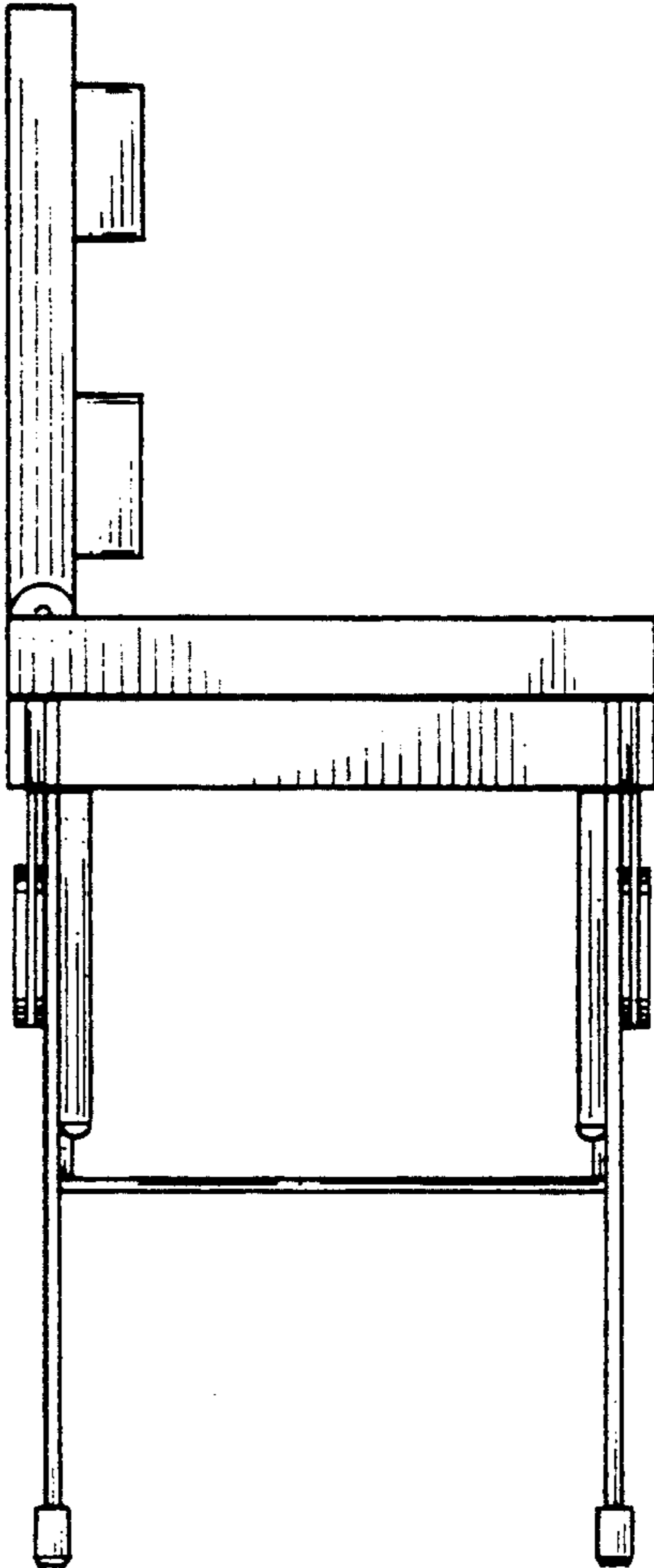


FIG. 8