



US00D342120S

United States Patent [19]
Dixon, Jr.

[11] **Patent Number: Des. 342,120**
[45] **Date of Patent: ** Dec. 7, 1993**

[54] **COMBINED SPRAYER HEAD AND CONNECTOR FOR WASHING PETS**

[76] **Inventor: Herbert F. Dixon, Jr., 572 Wayne Dr. N., Keizer, Oreg. 97303**

[**] **Term: 14 Years**

[21] **Appl. No.: 731,889**

[22] **Filed: Jul. 18, 1991**

[52] **U.S. Cl. D23/223; D30/158**

[58] **Field of Search D23/213, 223-229; 4/567-570, 599-603, 596, 615, 675-678; 239/282-283, 288.5, 310, 443-449, 550-552, 556-559; D30/158, 199**

[56] **References Cited**

U.S. PATENT DOCUMENTS

D. 311,794	10/1990	Barone	D30/158
4,224,700	9/1980	Bloys	4/603
4,242,201	12/1980	Stephens et al.	4/675 X
4,998,836	3/1991	Scripnick	239/310 X
5,093,943	3/1992	Wei	4/615

OTHER PUBLICATIONS

Signature Tub Spout Pet Shower #10-25956-2, Signature 1990 catalog.

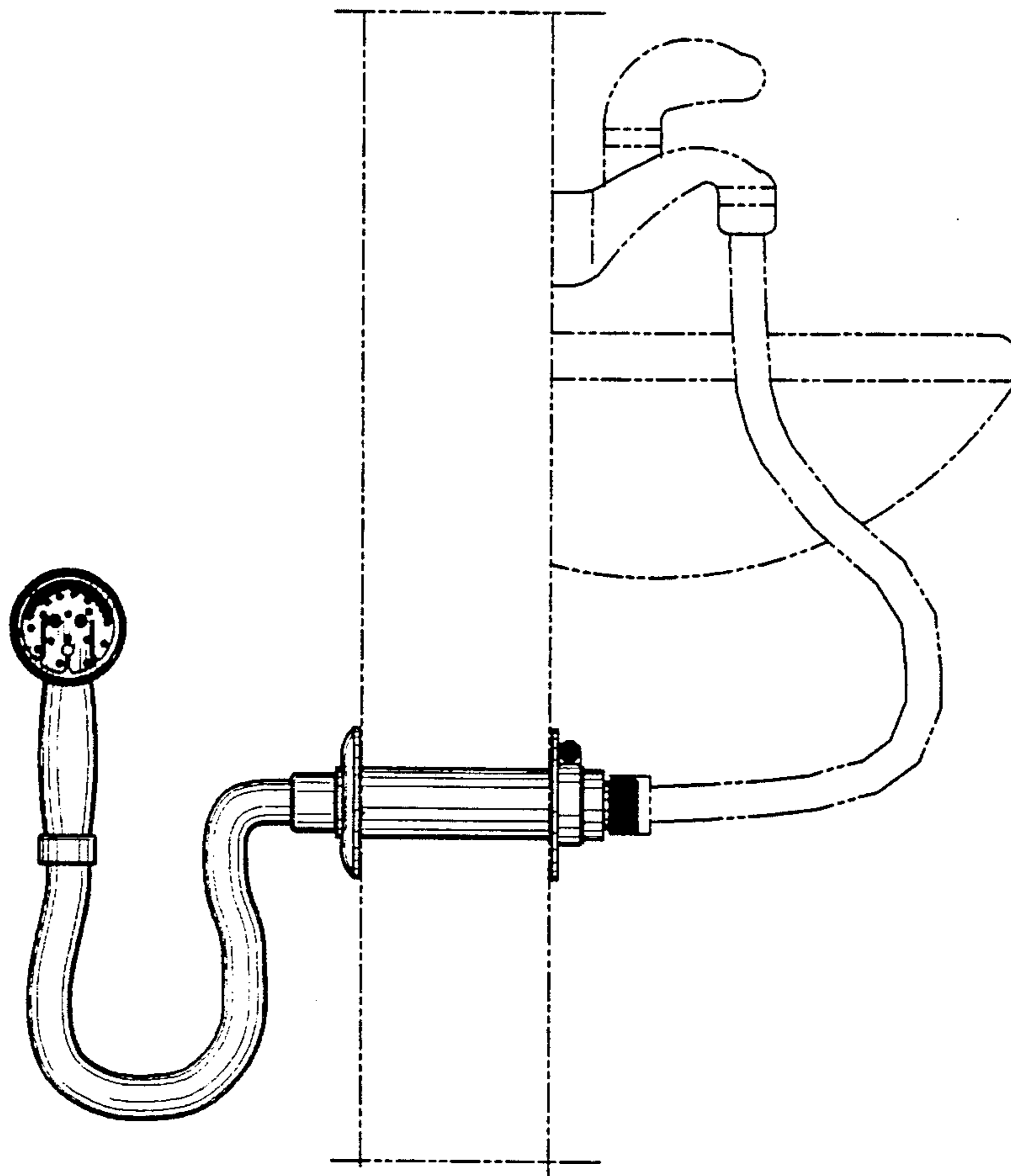
Primary Examiner—Wallace R. Burke
Assistant Examiner—M. H. Tung
Attorney, Agent, or Firm—Leon Gilden

[57] **CLAIM**

The ornamental design for a combined sprayer head and connector for washing pets, as shown and described.

DESCRIPTION

FIG. 1 is a front elevational view of the combined sprayer head and connector for washing pets showing my new design;
FIG. 2 is a rear elevational view thereof;
FIG. 3 is a left side elevational view thereof;
FIG. 4 is a right side elevational view thereof;
FIG. 5 is a top plan view thereof;
FIG. 6 is a bottom plan view thereof; and,
FIG. 7 is a front elevational view thereof, on a reduced scale, the broken line drawings of a sink, faucet and a wall are for illustrative purposes only and form no part of the claimed design.



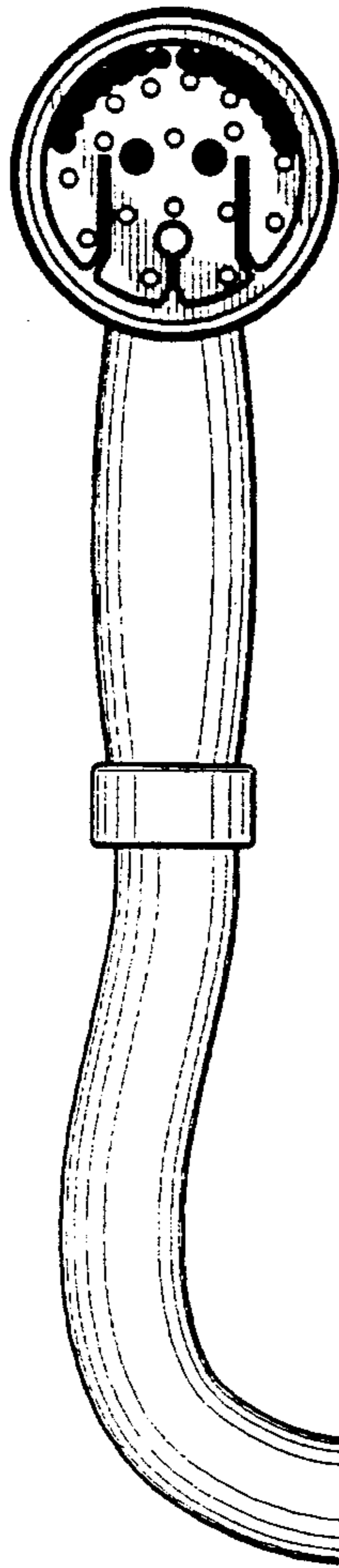


FIG. 1

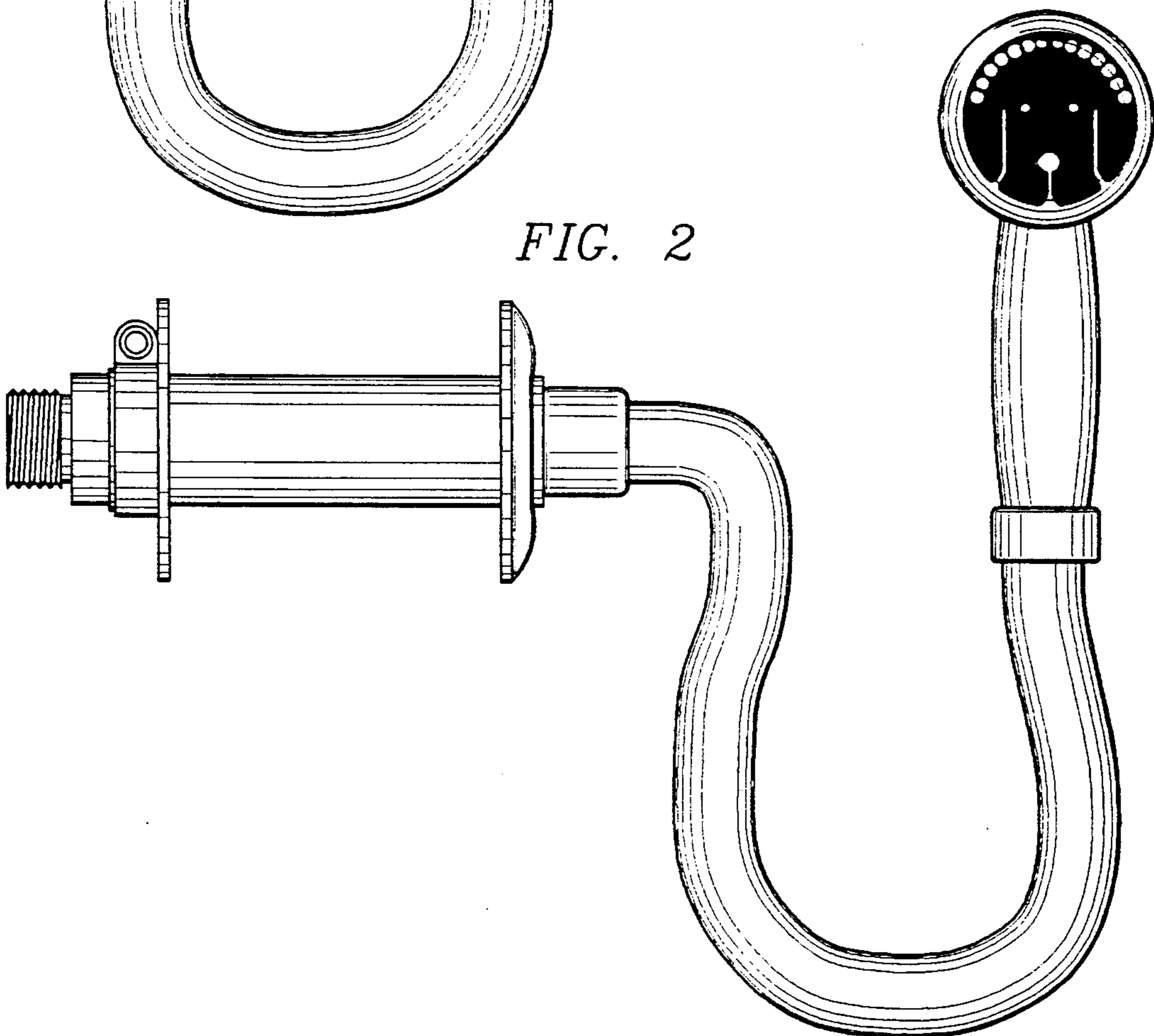
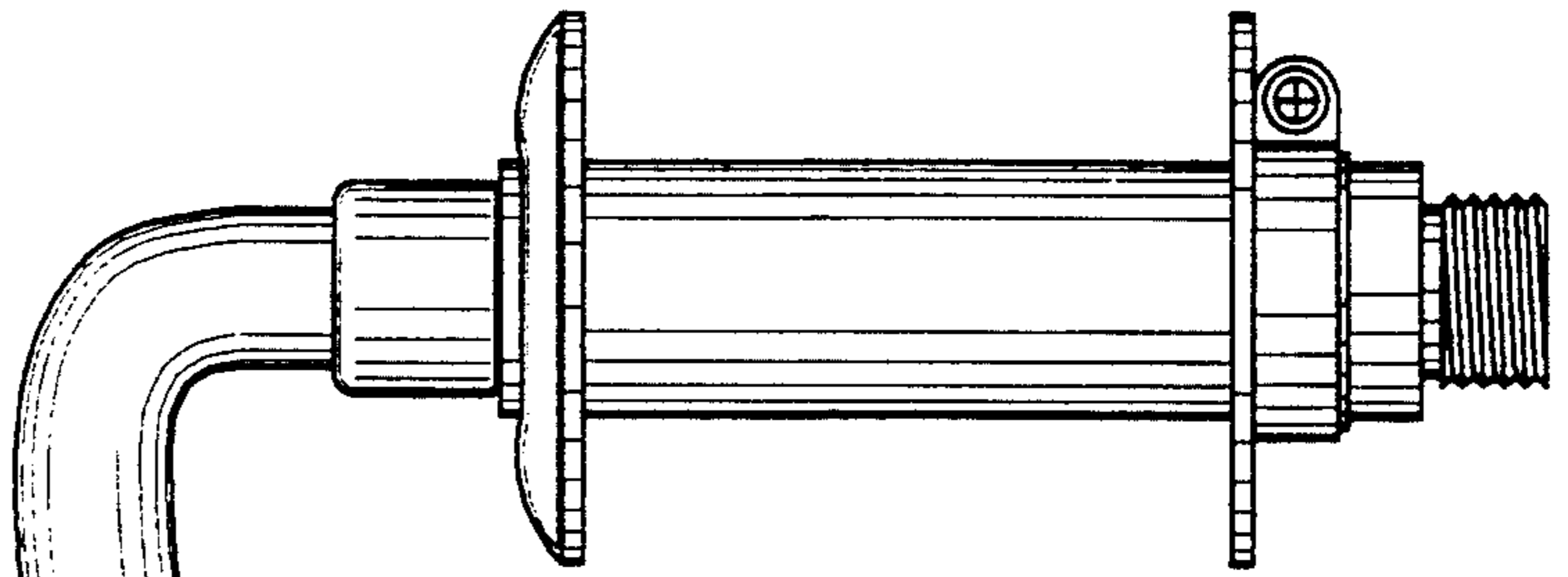


FIG. 2

FIG. 3

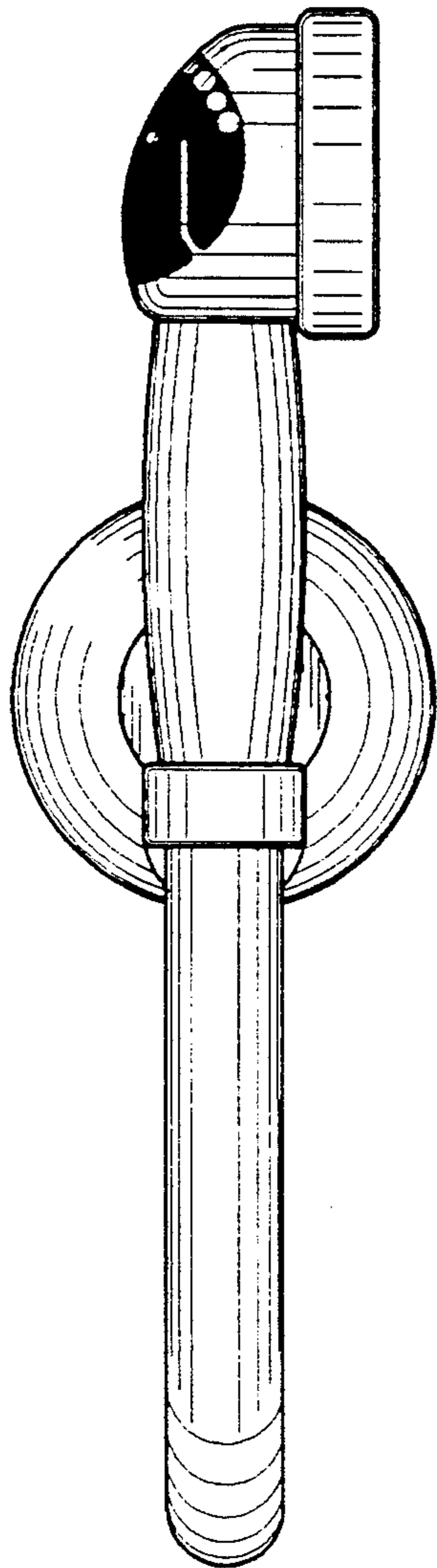


FIG. 4

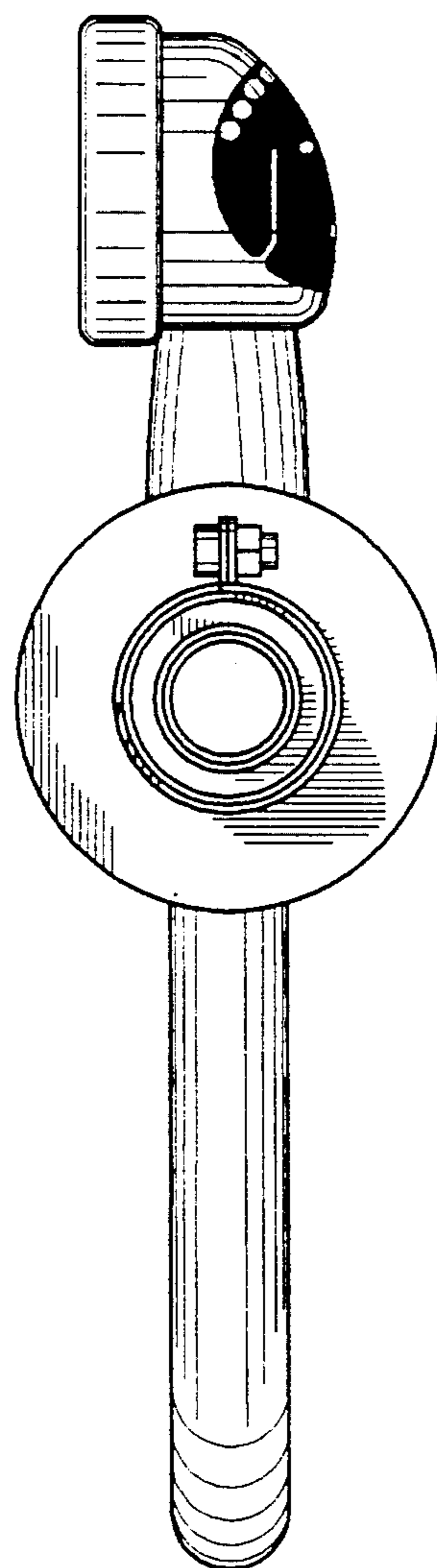


FIG. 5

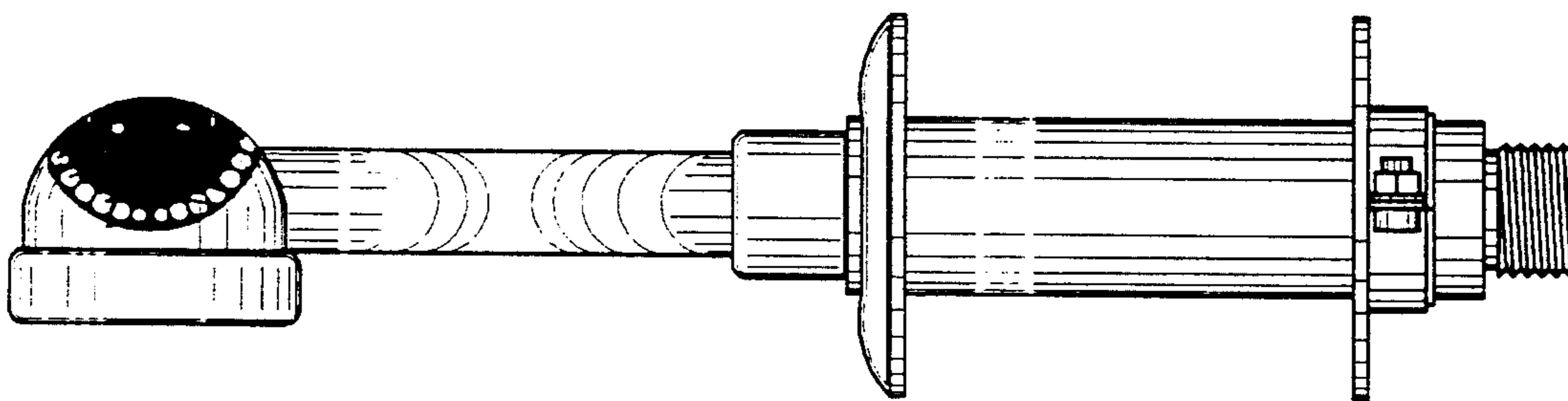


FIG. 6

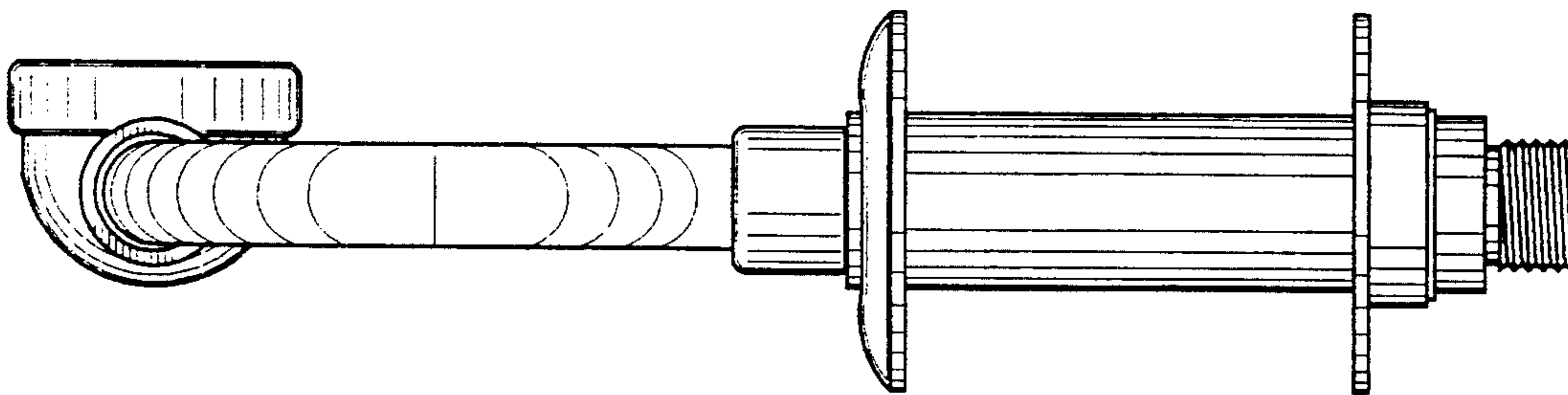


FIG. 7

