



US00D342119S

United States Patent [19] Shieh

[11] Patent Number: **Des. 342,119**
[45] Date of Patent: **** Dec. 7, 1993**

[54] **SHOWER HEAD**

[76] Inventor: **Ming-Dang Shieh**, No. 18, Lane
Tou-Lun, Tou-Lun Sub-ward,
Lu-Kang Chen, Changhua Hsien,
Taiwan

[**] Term: **14 Years**

[21] Appl. No.: **839,230**

[22] Filed: **Feb. 20, 1992**

[52] U.S. Cl. **D23/213**

[58] Field of Search **D23/213, 223-229;**
4/567-570, 599-603, 596, 615, 675-678;
239/276, 280-281, 282-283, 288.5, 310,
443-449, 456-460, 525, 550-552, 556-559,
562-565, 567, 581.1, 586-588

[56] **References Cited**

U.S. PATENT DOCUMENTS

D. 291,114 7/1987 Piesco **D23/223**
1,319,738 10/1919 Watrous **4/615 X**

1,551,498	8/1925	Hitchcock	4/676 X
1,669,978	5/1928	Gavaza	4/675 X
1,676,800	7/1928	Richards et al.	4/676
1,680,119	8/1928	Schulder	4/676
2,997,058	8/1961	Hall	4/615 X

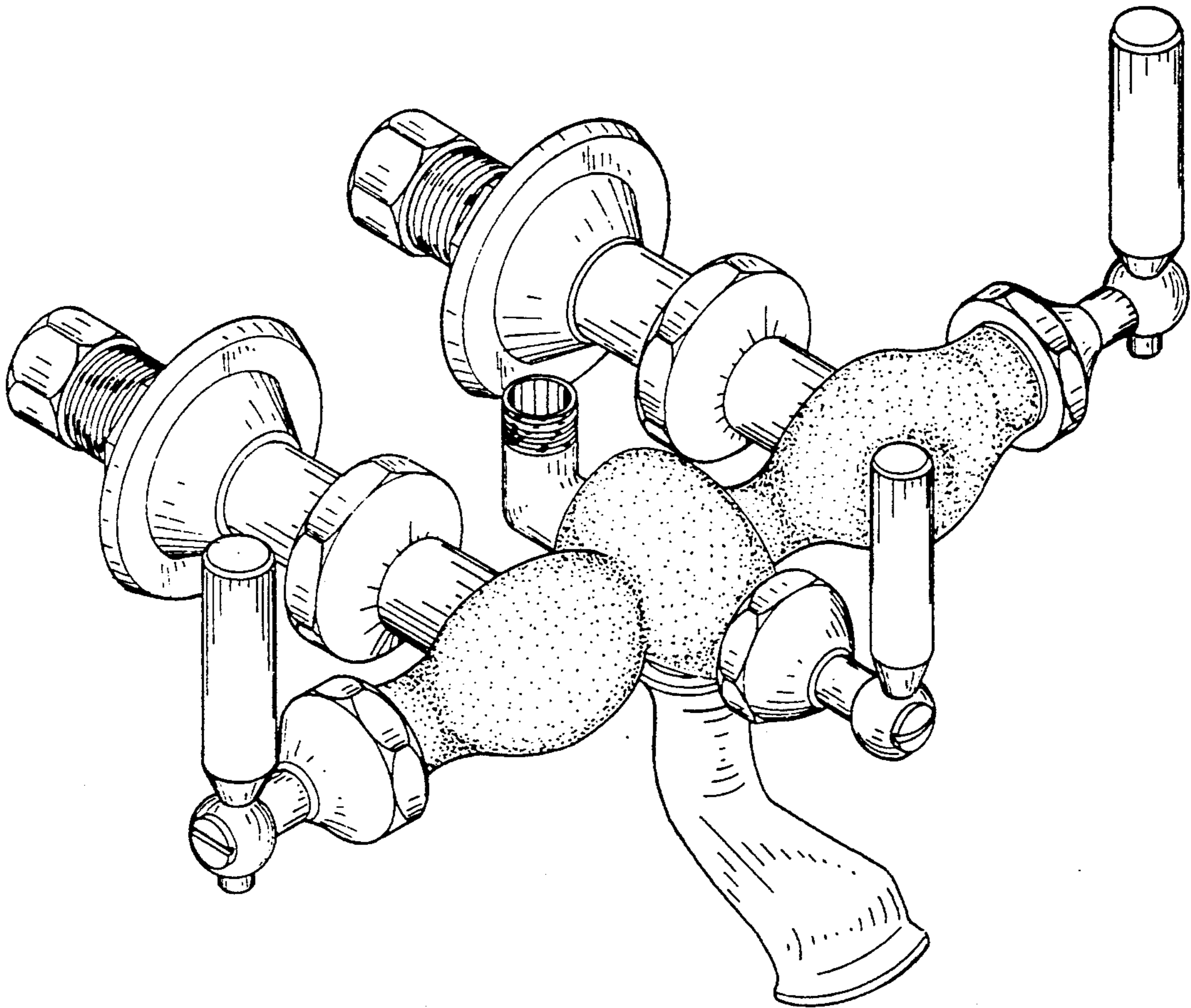
Primary Examiner—Wallace R. Burke
Assistant Examiner—M. H. Tung
Attorney, Agent, or Firm—Bacon & Thomas

[57] **CLAIM**

The ornamental design for shower head, as shown and described.

DESCRIPTION

FIG. 1 is a perspective view of shower head taken from above showing my new design;
FIG. 2 is a front elevational view thereof;
FIG. 3 is a rear elevational view thereof;
FIG. 4 is a right side elevational view thereof, and the left side elevational view being the mirror image thereof;
FIG. 5 is a top plan view thereof; and,
FIG. 6 is a bottom plan view thereof.



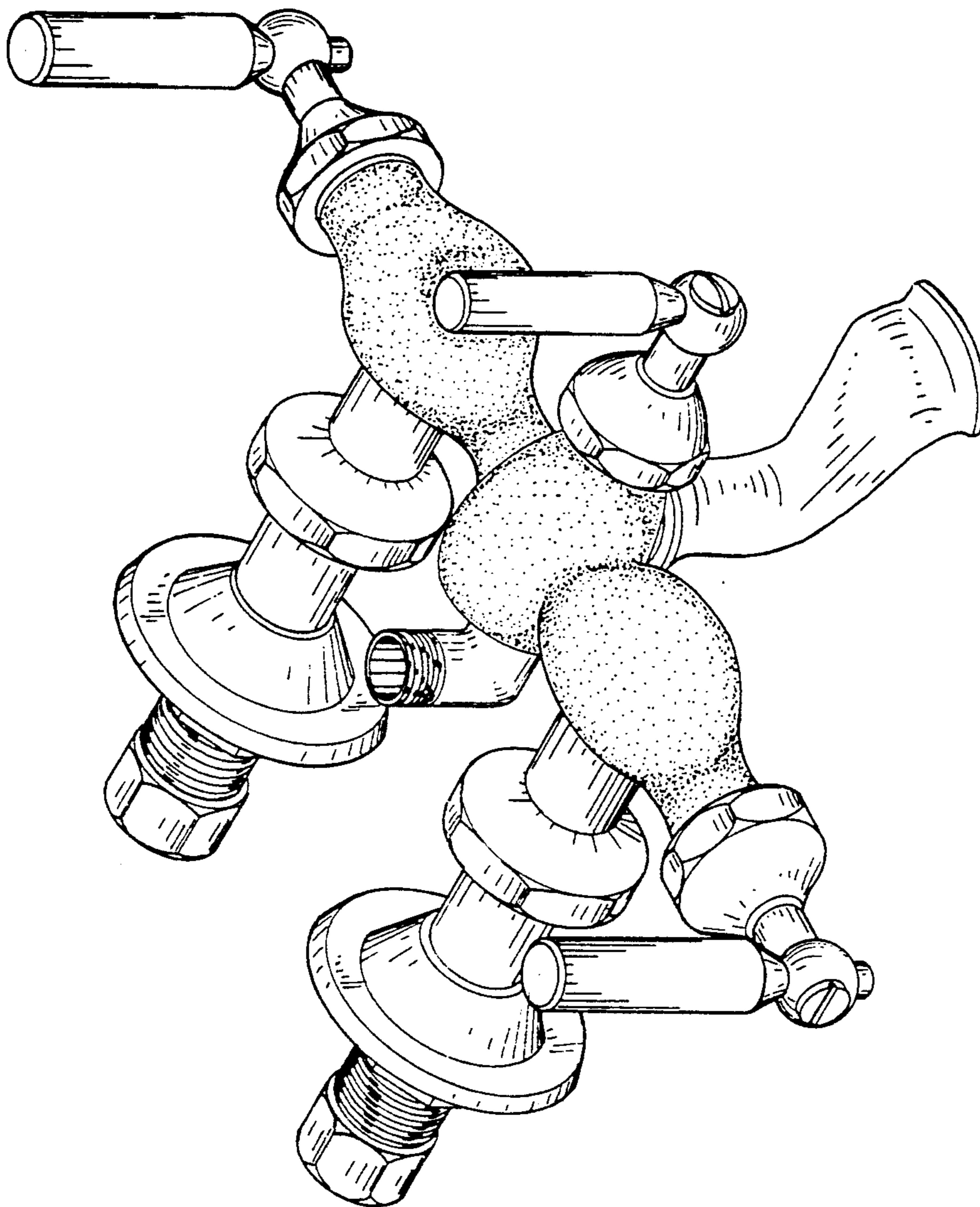


FIG 1

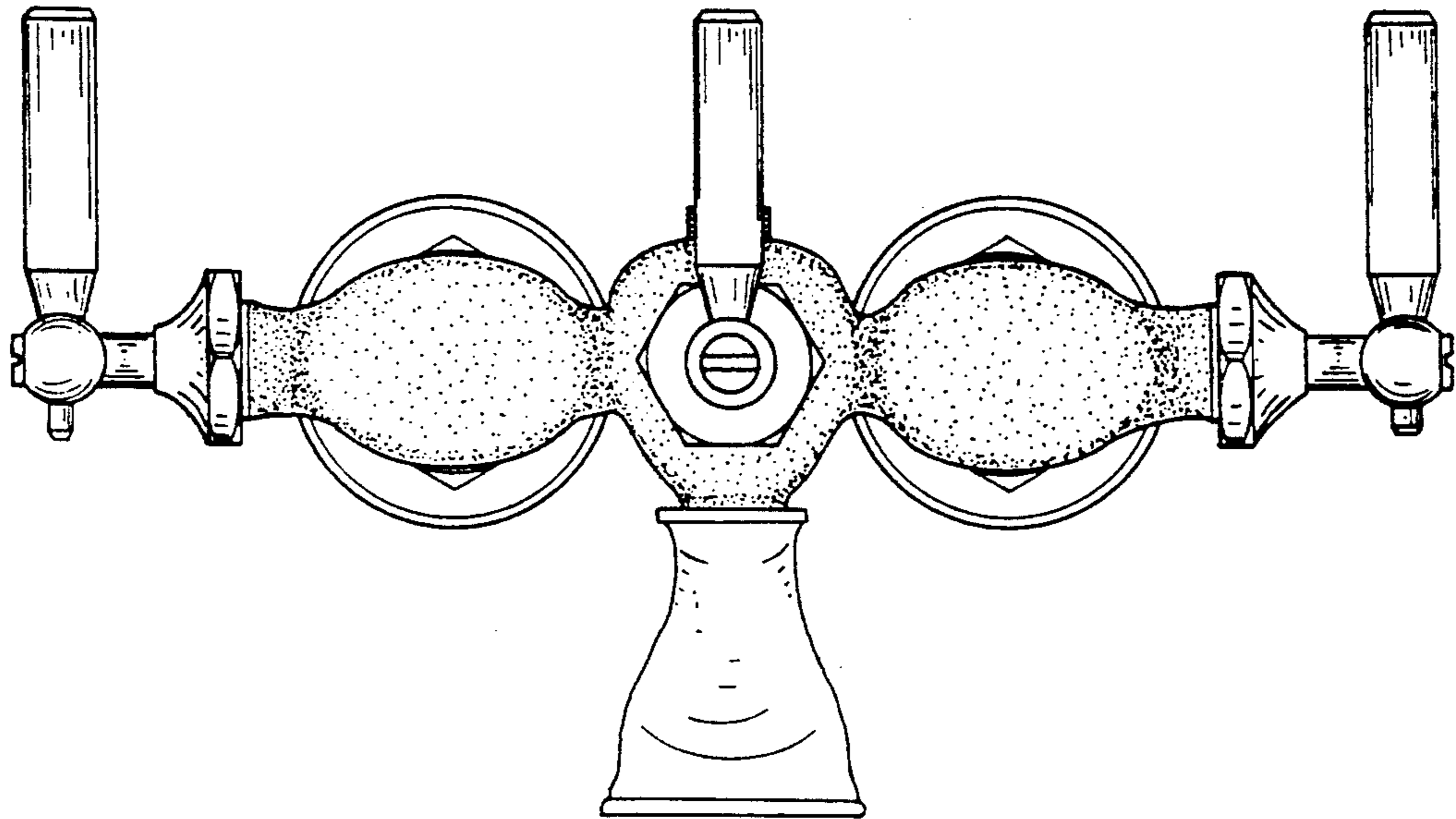


FIG 2

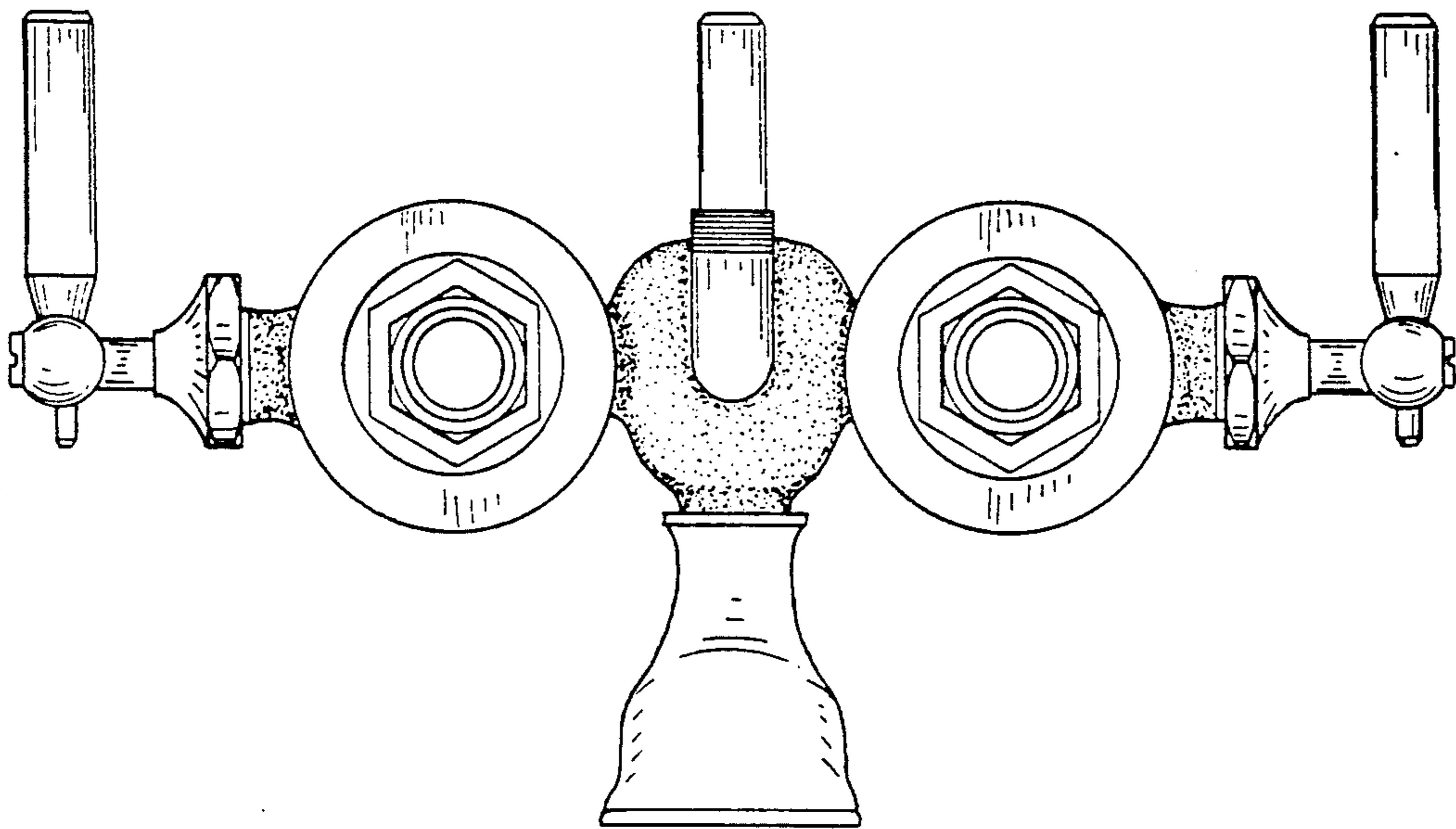
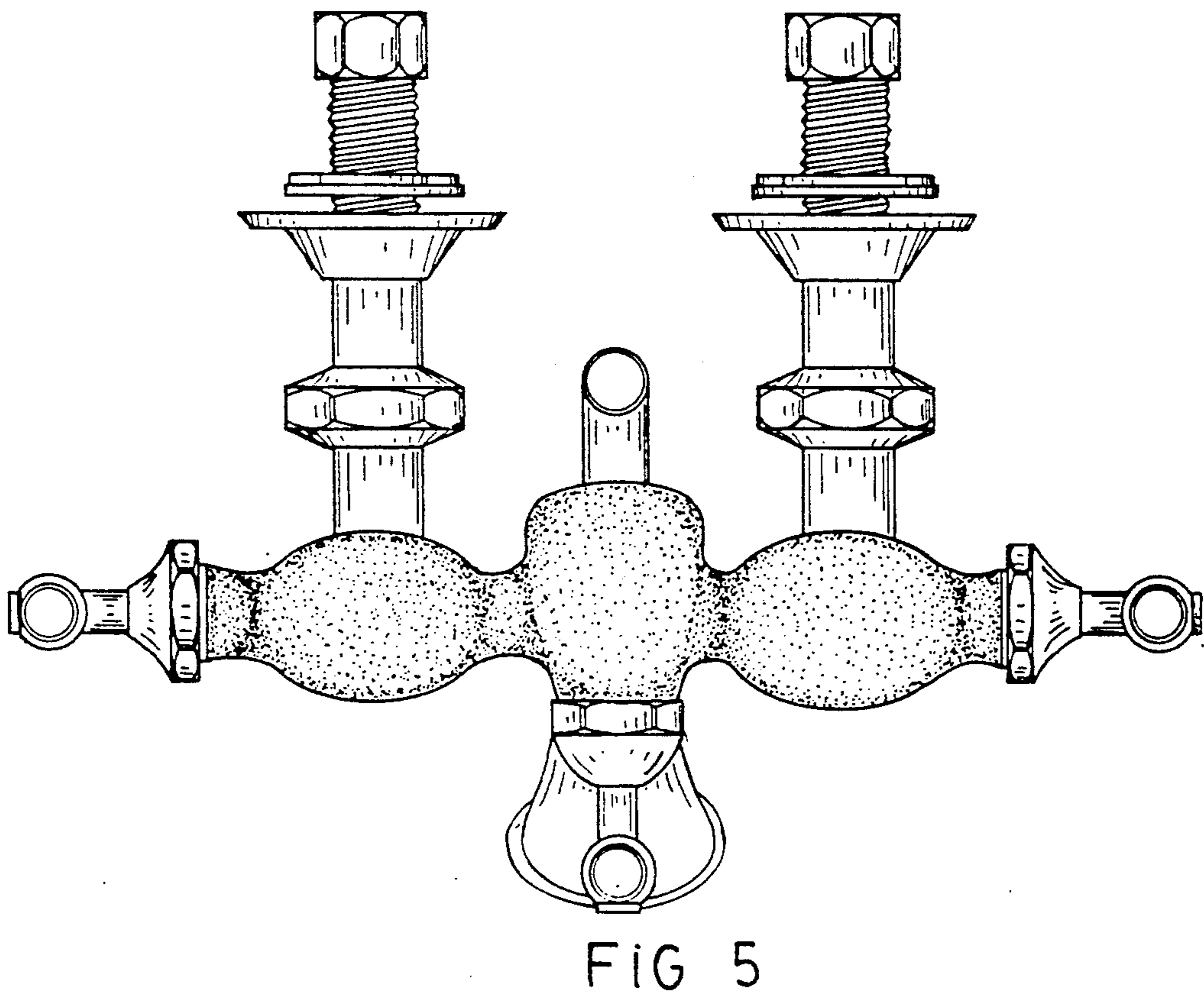
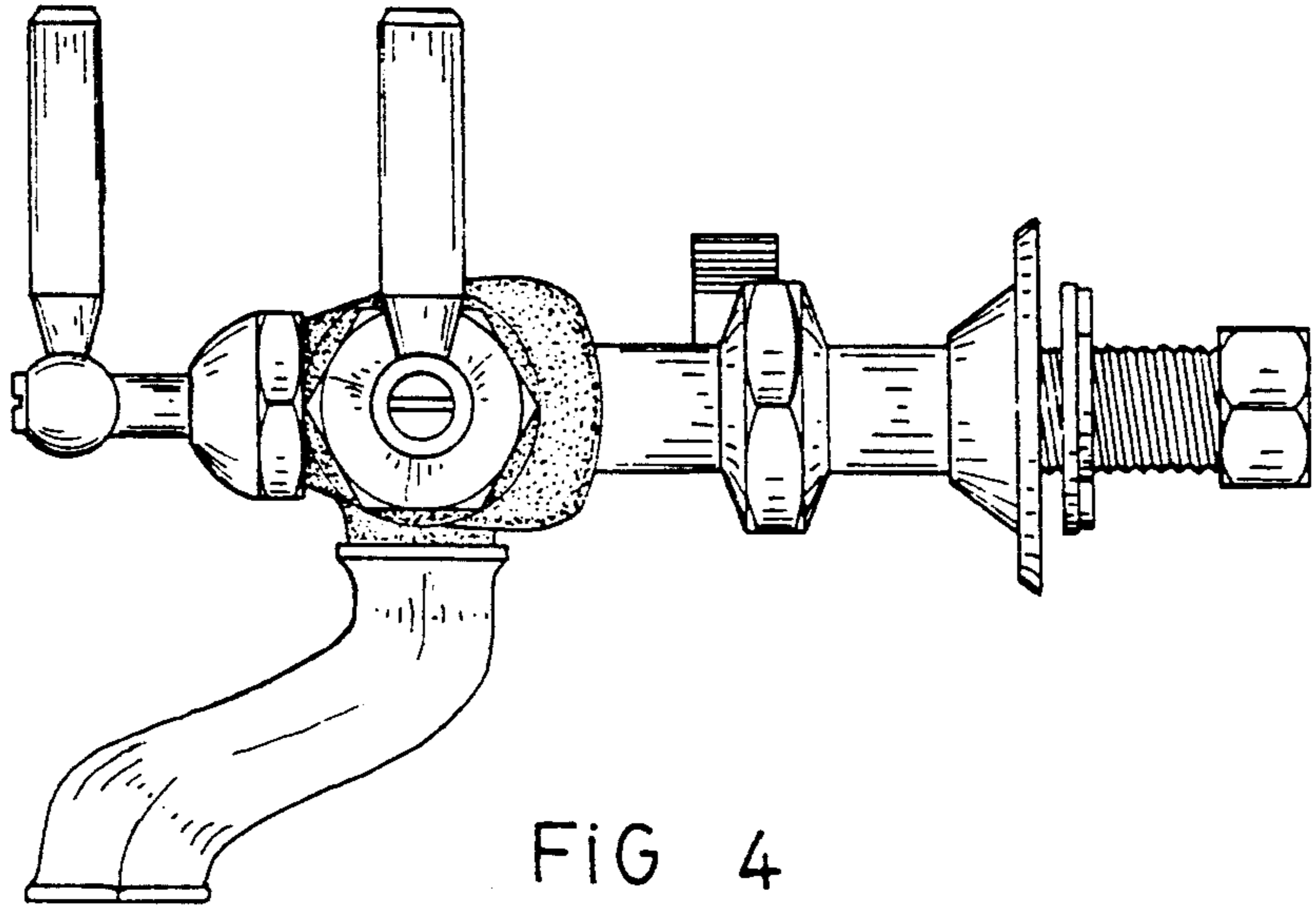


FIG 3



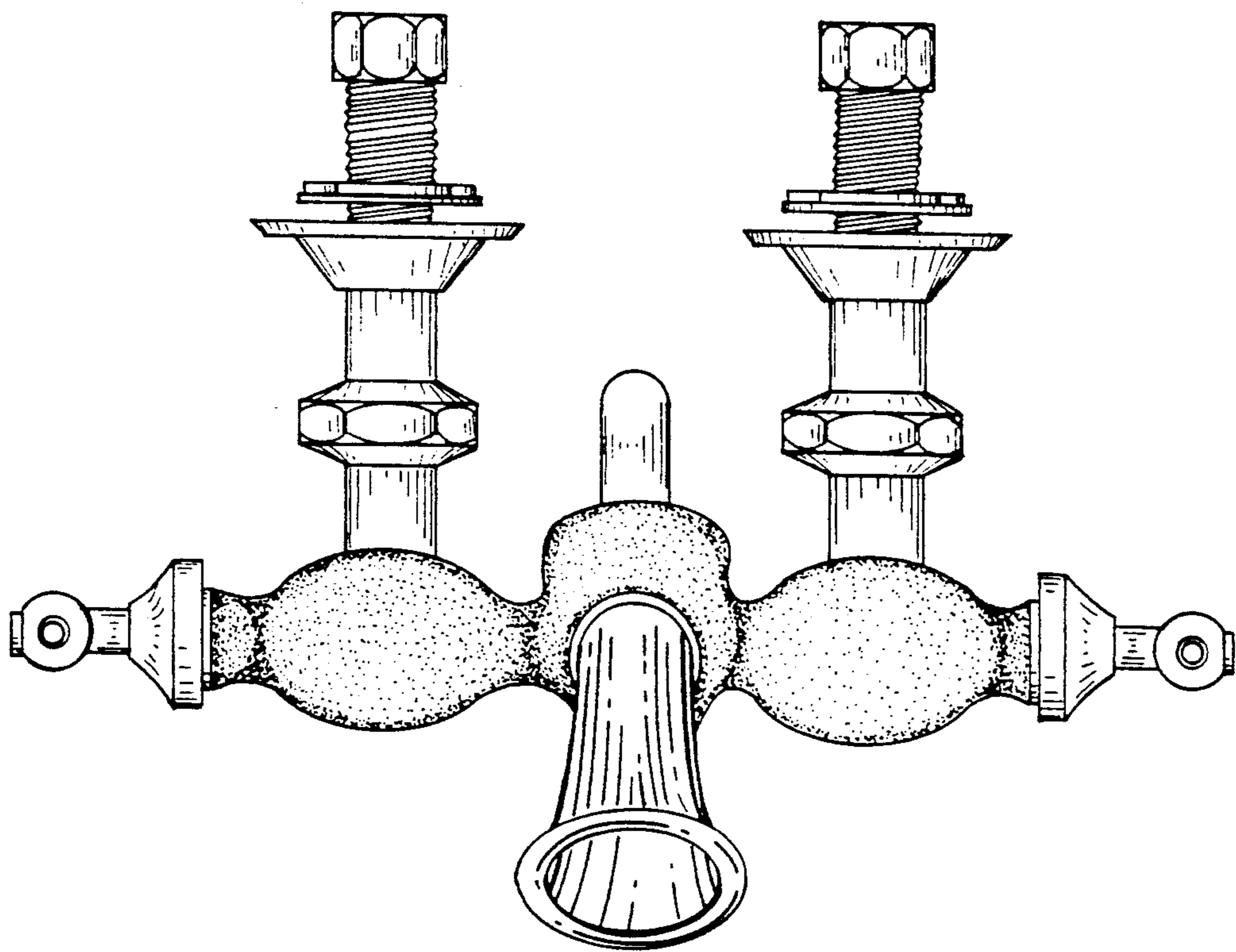


FIG 6