



US00D342112S

United States Patent [19]
Diesterheft

[11] **Patent Number: Des. 342,112**
[45] **Date of Patent: ** Dec. 7, 1993**

[54] **GOLF PUTTER HEAD**

[76] **Inventor: R. W. Diesterheft, 995 Wildwood, Northbrook, Ill. 60062**

[**] **Term: 14 Years**

[21] **Appl. No.: 5,778**

[22] **Filed: Mar. 12, 1993**

[52] **U.S. Cl. D21/219**

[58] **Field of Search D21/214-220; 273/164.1, 167-175**

[56] **References Cited**

U.S. PATENT DOCUMENTS

D. 240,249 6/1976 Chellman D21/219

OTHER PUBLICATIONS

Golf Digest, Jun., 1976, p. 30, top left, golf club head.

Golf World, Jun. 10, 1988, p. 15, right, golf club.

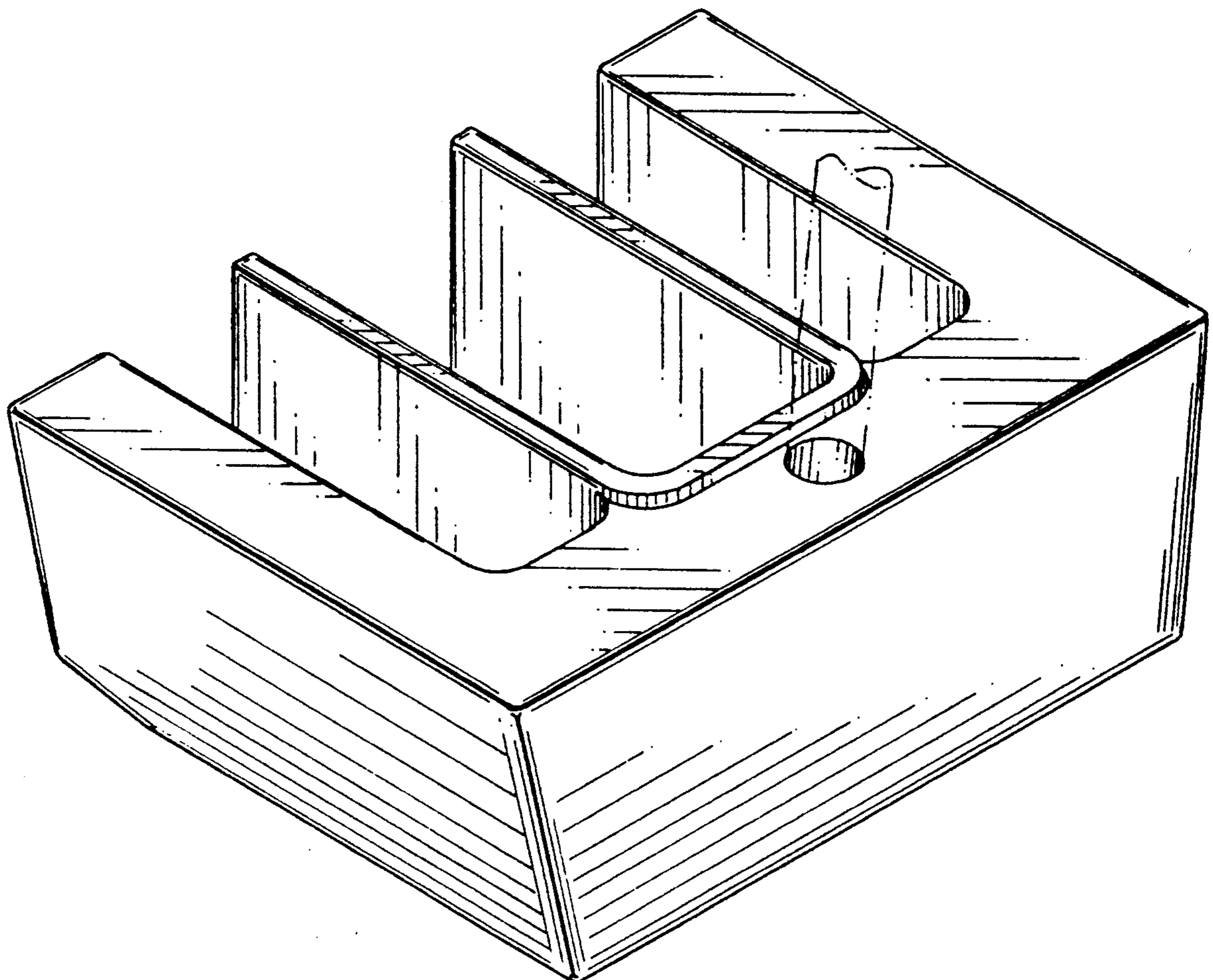
*Primary Examiner—Melvin B. Feifer
Attorney, Agent, or Firm—Juettner Pyle & Lloyd*

[57] **CLAIM**

The ornamental design for golf putter head, as shown and described.

DESCRIPTION

FIG. 1 is a perspective view of the golf putter head showing my new design; FIG. 2 is a right side view thereof; FIG. 3 is a left side view thereof; FIG. 4 is a bottom view thereof; FIG. 5 is a front inverted view thereof; FIG. 6 is a top plan view thereof; and FIG. 7 is a back inverted view thereof. The broken line showing of a shaft segment is for illustrative purposes only.



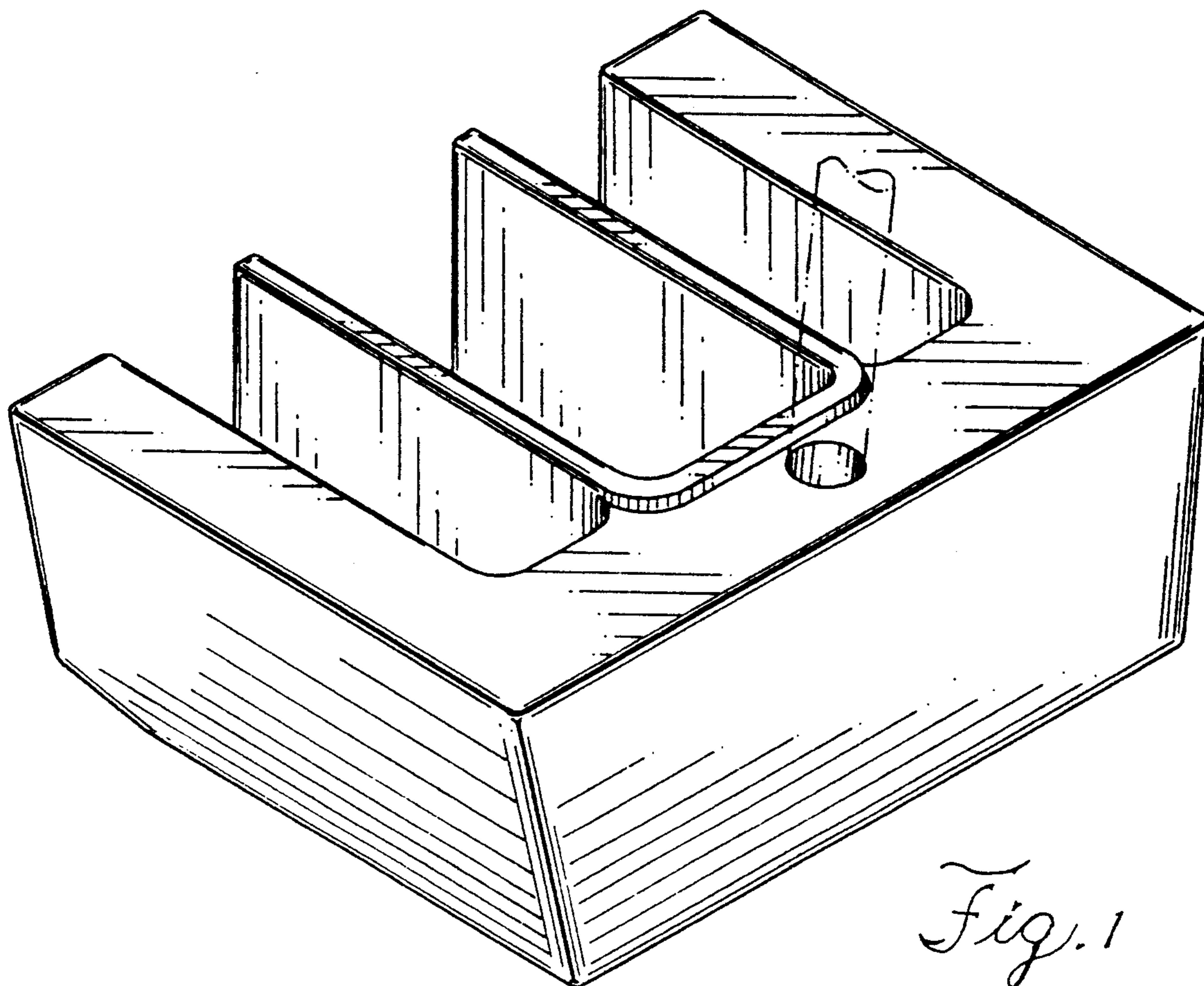


Fig. 1

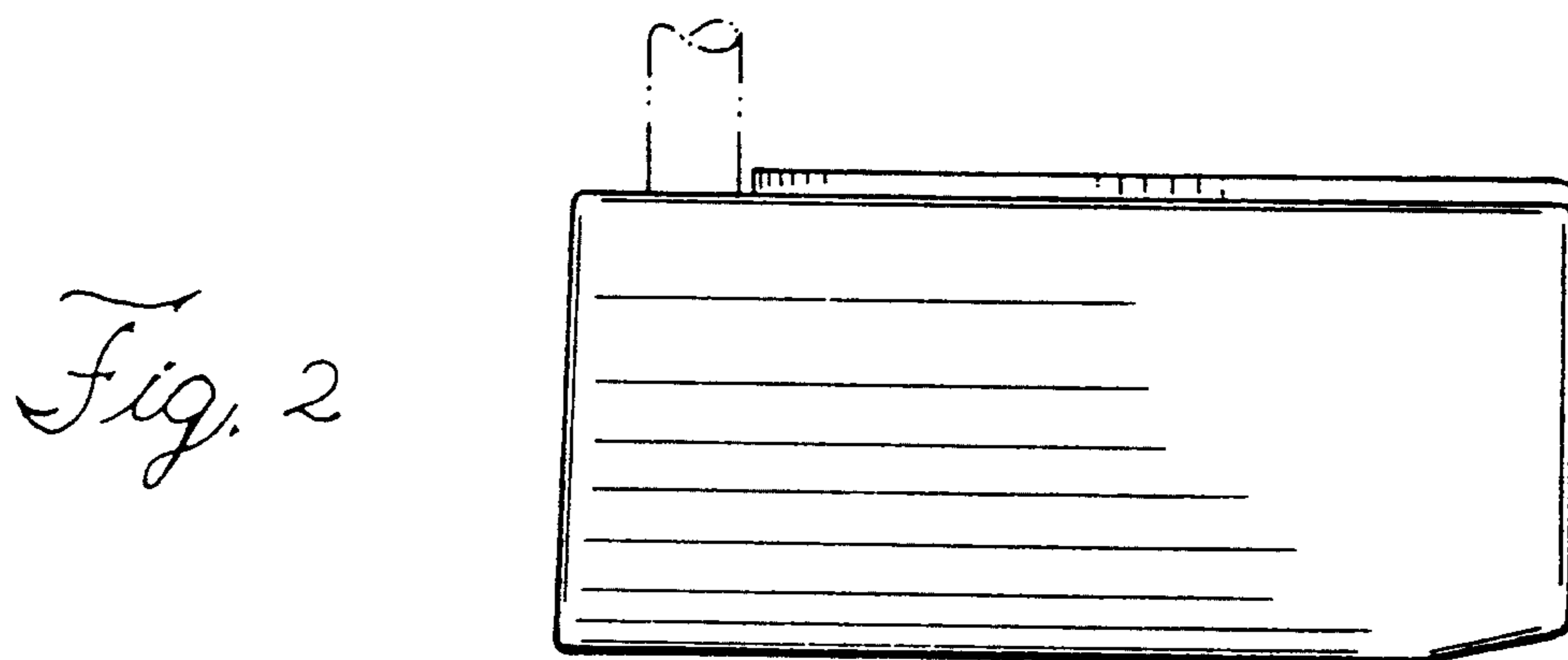


Fig. 2

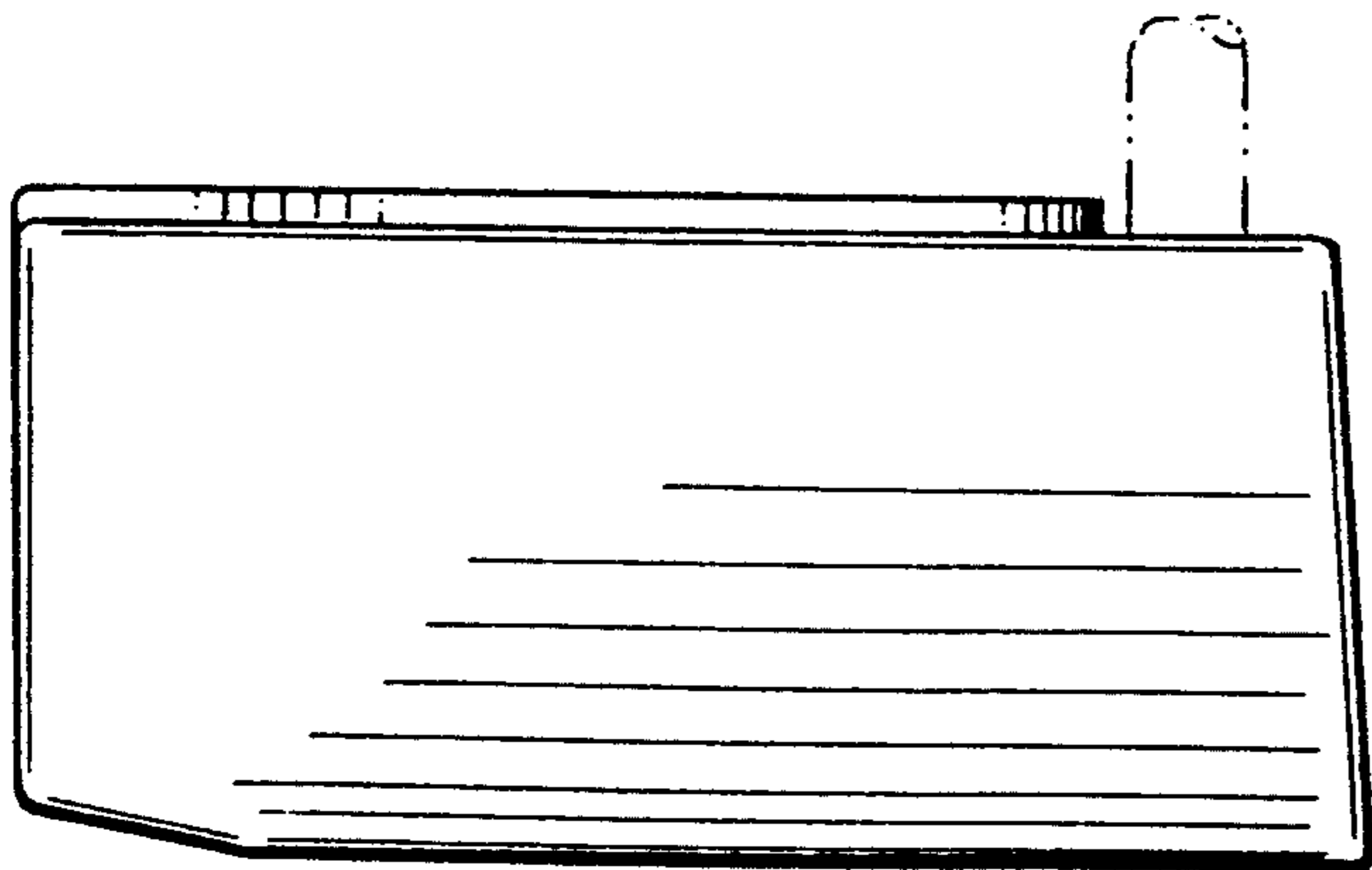


Fig. 3

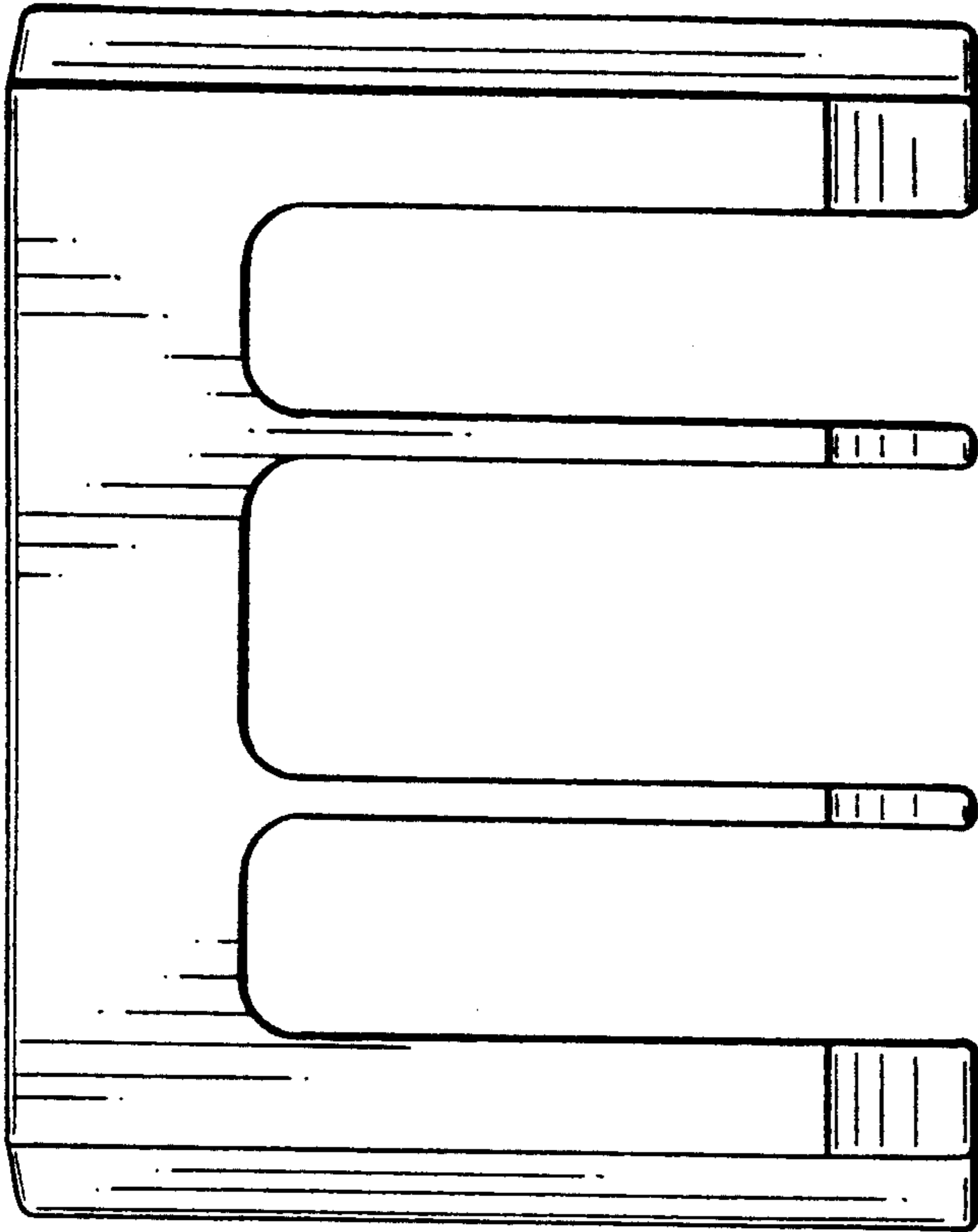


Fig. 4

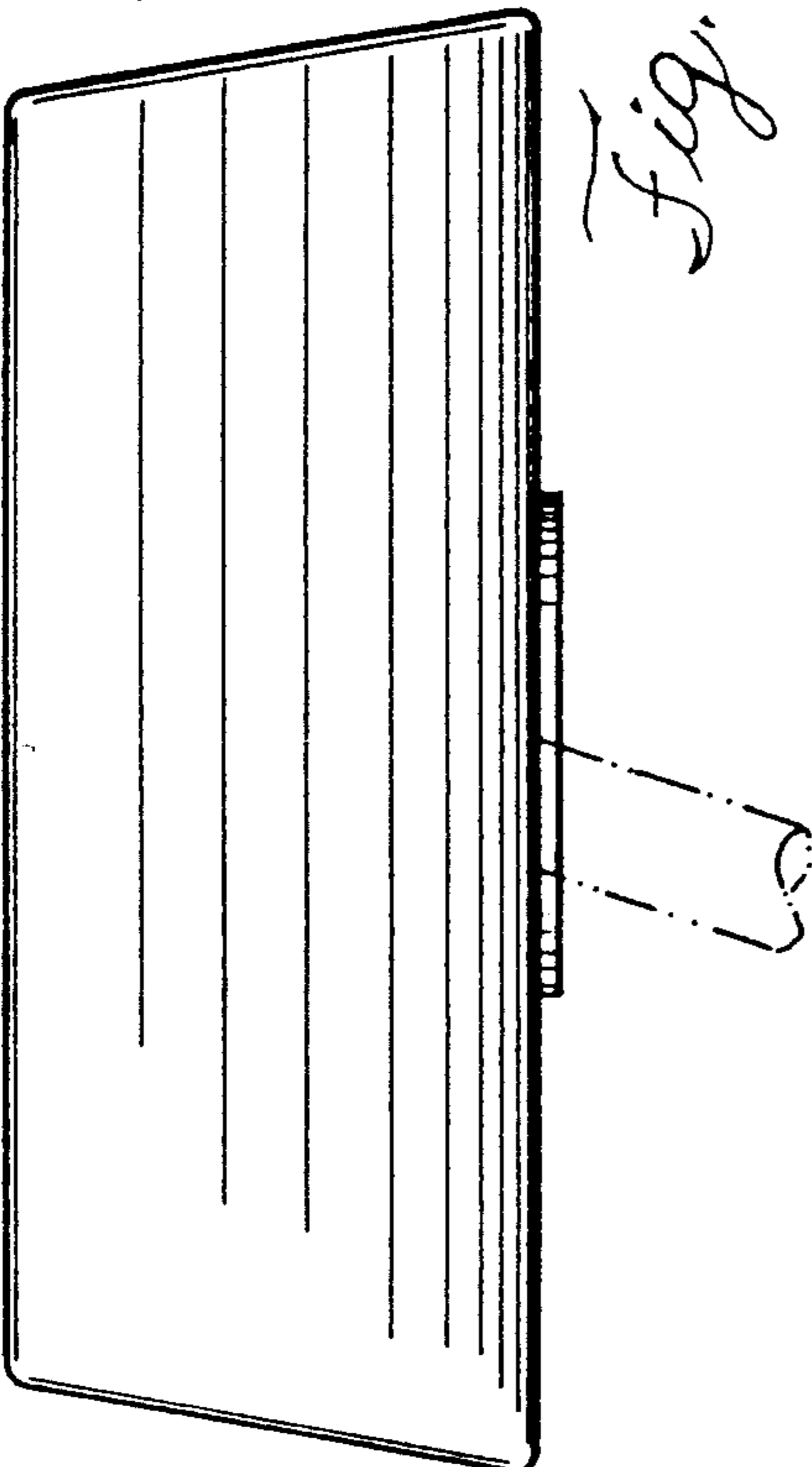


Fig. 5

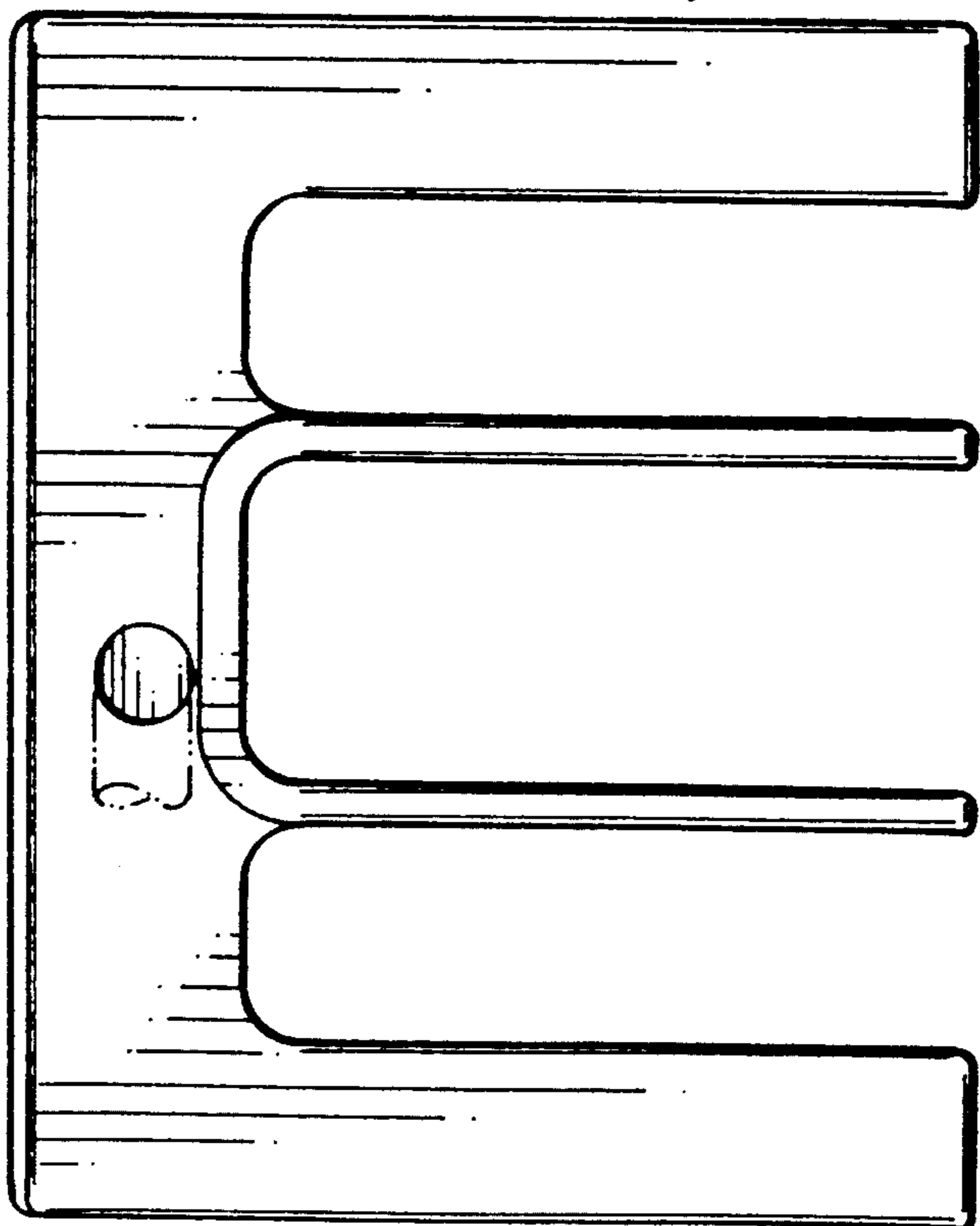


Fig. 6

Fig. 7

