



US00D342107S

# United States Patent [19]

[11] Patent Number: **Des. 342,107**

Chang

[45] Date of Patent: **\*\* Dec. 7, 1993**

## [54] TREADMILL EXERCISER

[76] Inventor: **Chung-Yhi Chang**, No. 16, Alley 13, Lane 185, Shinlon Rd., Sec. 3, Jinmei, Taipei, Taiwan

[\*\*] Term: **14 Years**

[21] Appl. No.: **873,068**

[22] Filed: **Apr. 24, 1992**

[52] U.S. Cl. .... **D21/192**

[58] Field of Search ..... **D21/191, 192; 482/54, 482/51**

## [56] References Cited

### U.S. PATENT DOCUMENTS

D. 207,541	5/1967	Hesen .....	D21/192
D. 211,801	7/1968	Quinton .....	D21/192
D. 280,002	8/1985	Smith .....	D21/192
D. 304,849	11/1989	Watterson .....	D21/192
D. 306,891	3/1990	Watterson .....	D21/192
D. 325,951	5/1992	Johnson .....	D21/192
5,018,722	5/1991	Whitmore .....	482/54
5,029,801	7/1991	Dalebout et al. ....	482/54
5,123,641	6/1992	Abboudi et al. ....	482/54

## OTHER PUBLICATIONS

Best Catalog, 1989-1990 p. 278, #1 Vitamaster Treadmill, 11A14.

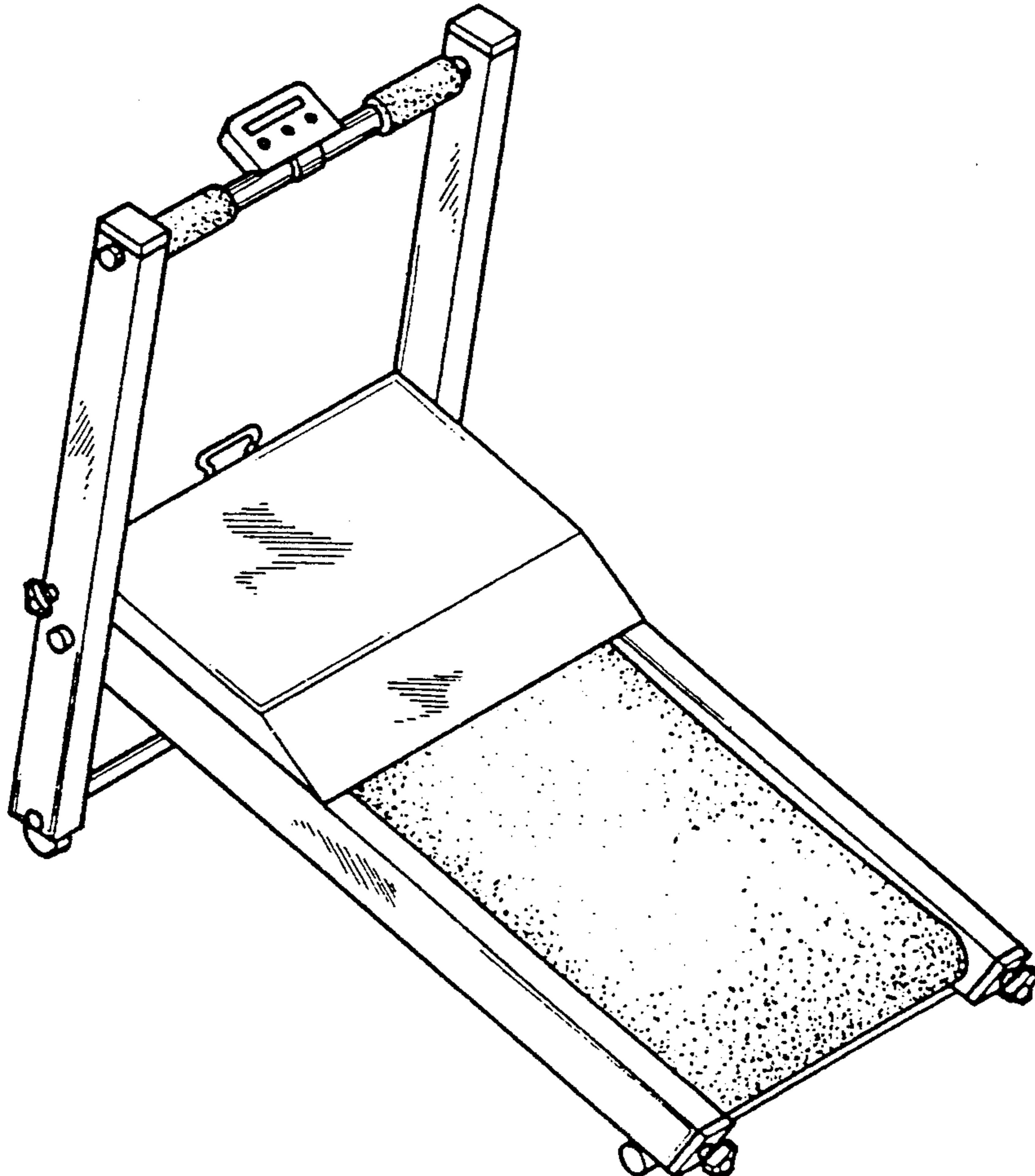
*Primary Examiner*—Bernard Ansher  
*Assistant Examiner*—Philip Hyder  
*Attorney, Agent, or Firm*—Bacon & Thomas

## [57] CLAIM

The ornamental design for a treadmill exerciser; as shown and described.

## DESCRIPTION

FIG. 1 is a perspective view of the treadmill exerciser showing my new design;  
FIG. 2 is a right side view of the treadmill exerciser;  
FIG. 3 is a top view of the treadmill exerciser of FIG. 1;  
FIG. 4 is a left side view of the treadmill exerciser of FIG. 1;  
FIG. 5 is a bottom view of the treadmill exerciser of FIG. 1;  
FIG. 6 is a front view of the treadmill exerciser of FIG. 1; and,  
FIG. 7 is a rear view of the treadmill exerciser of FIG. 1.



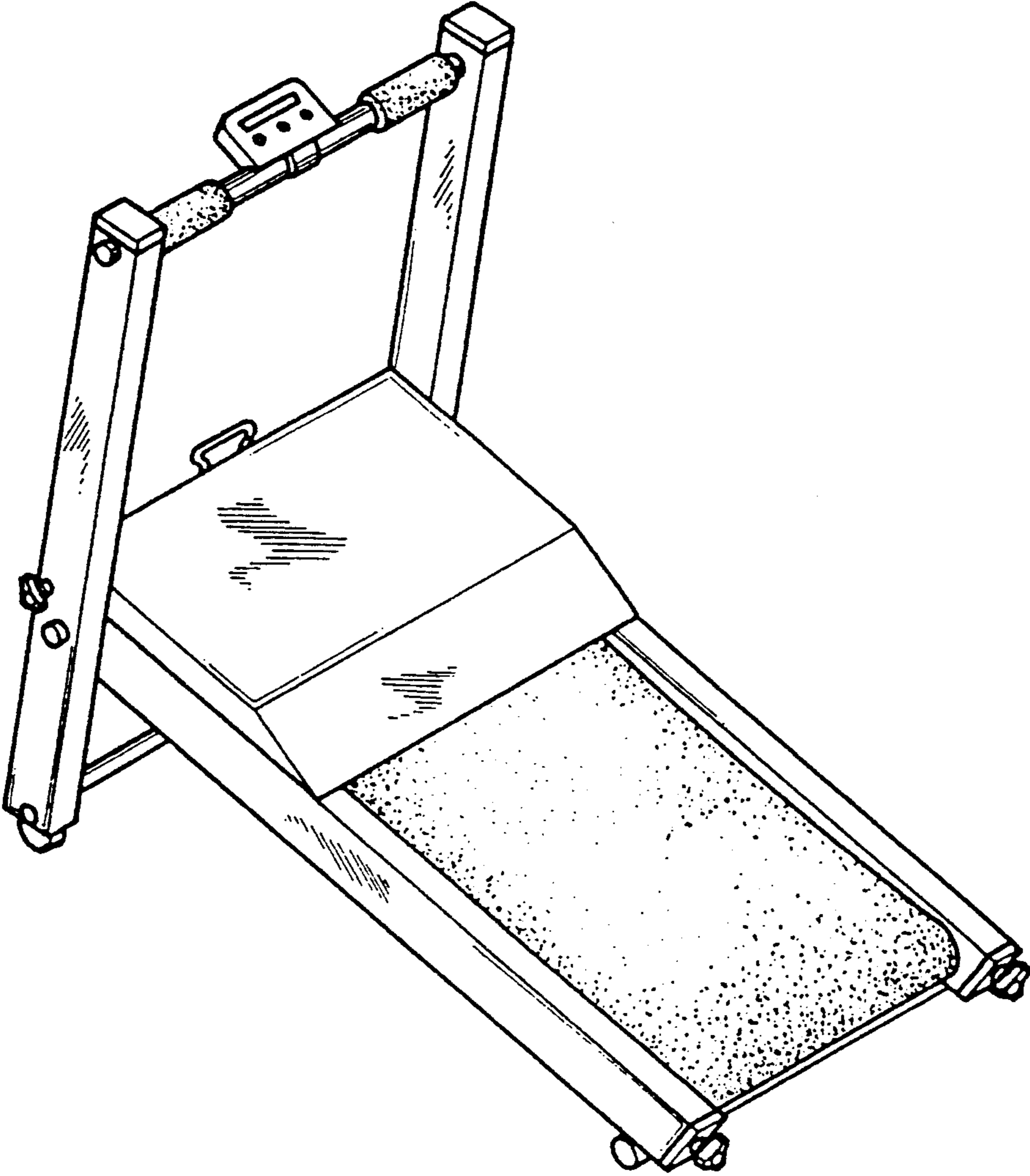


FIG. 1

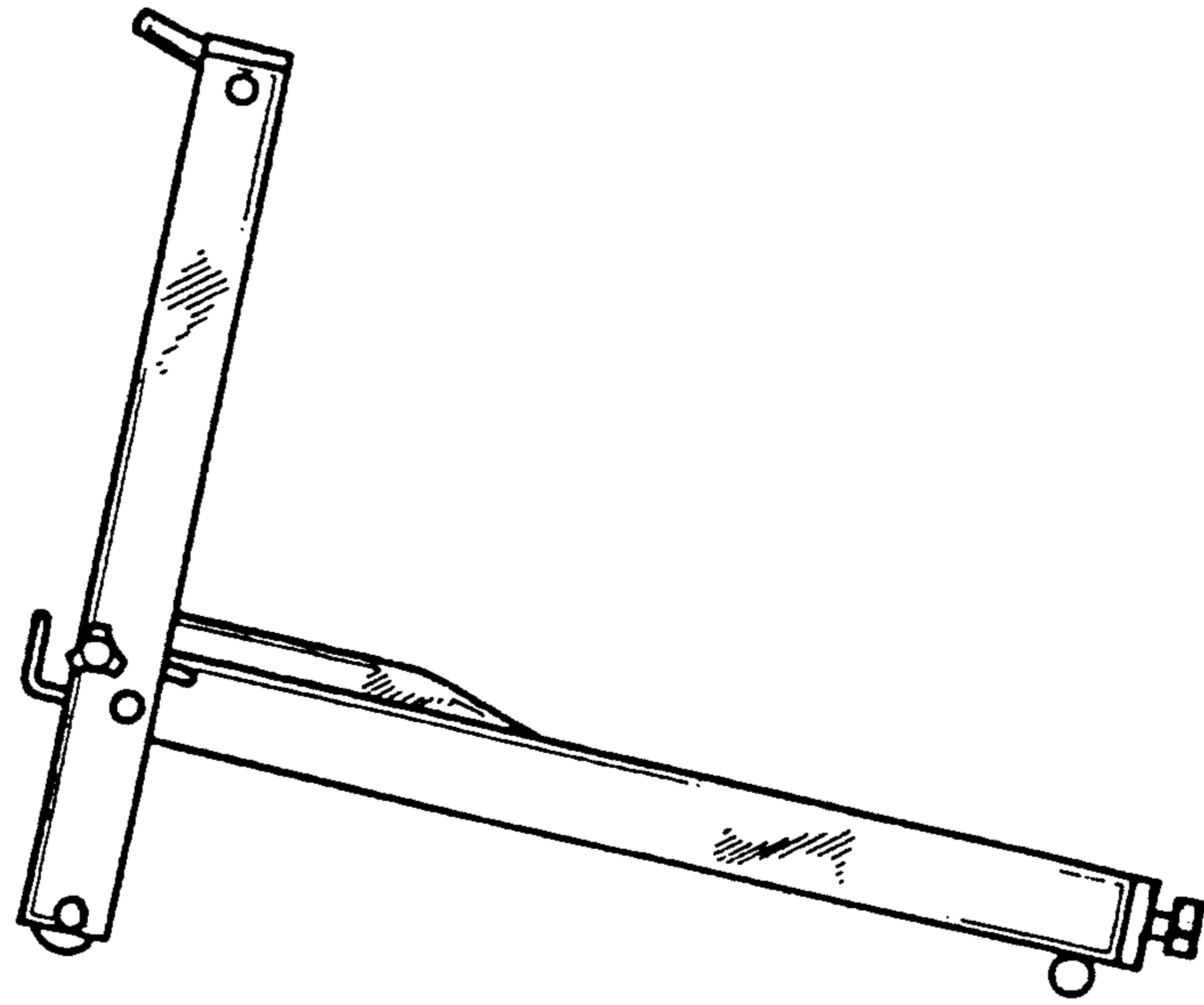


FIG. 2

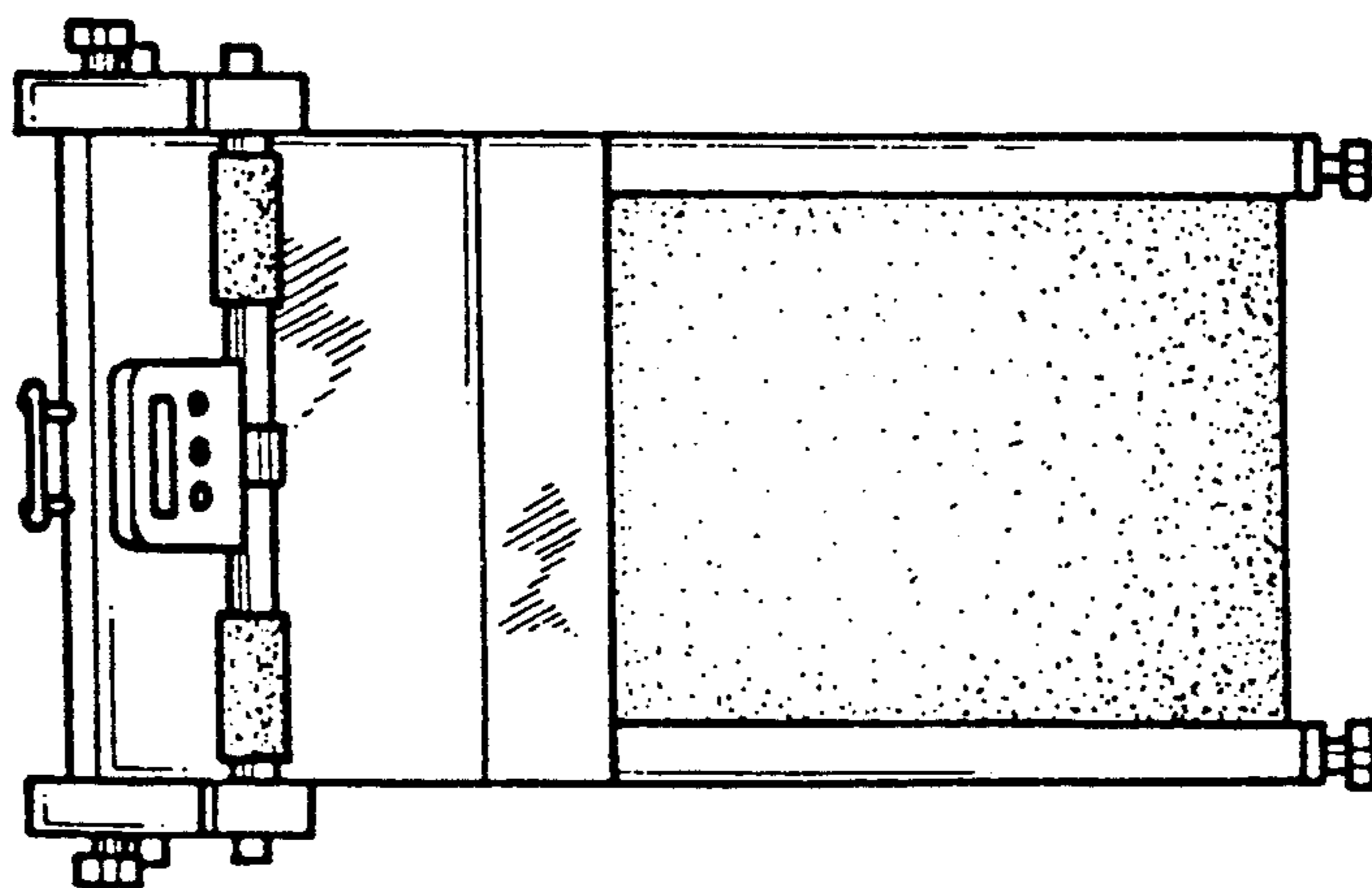


FIG. 3

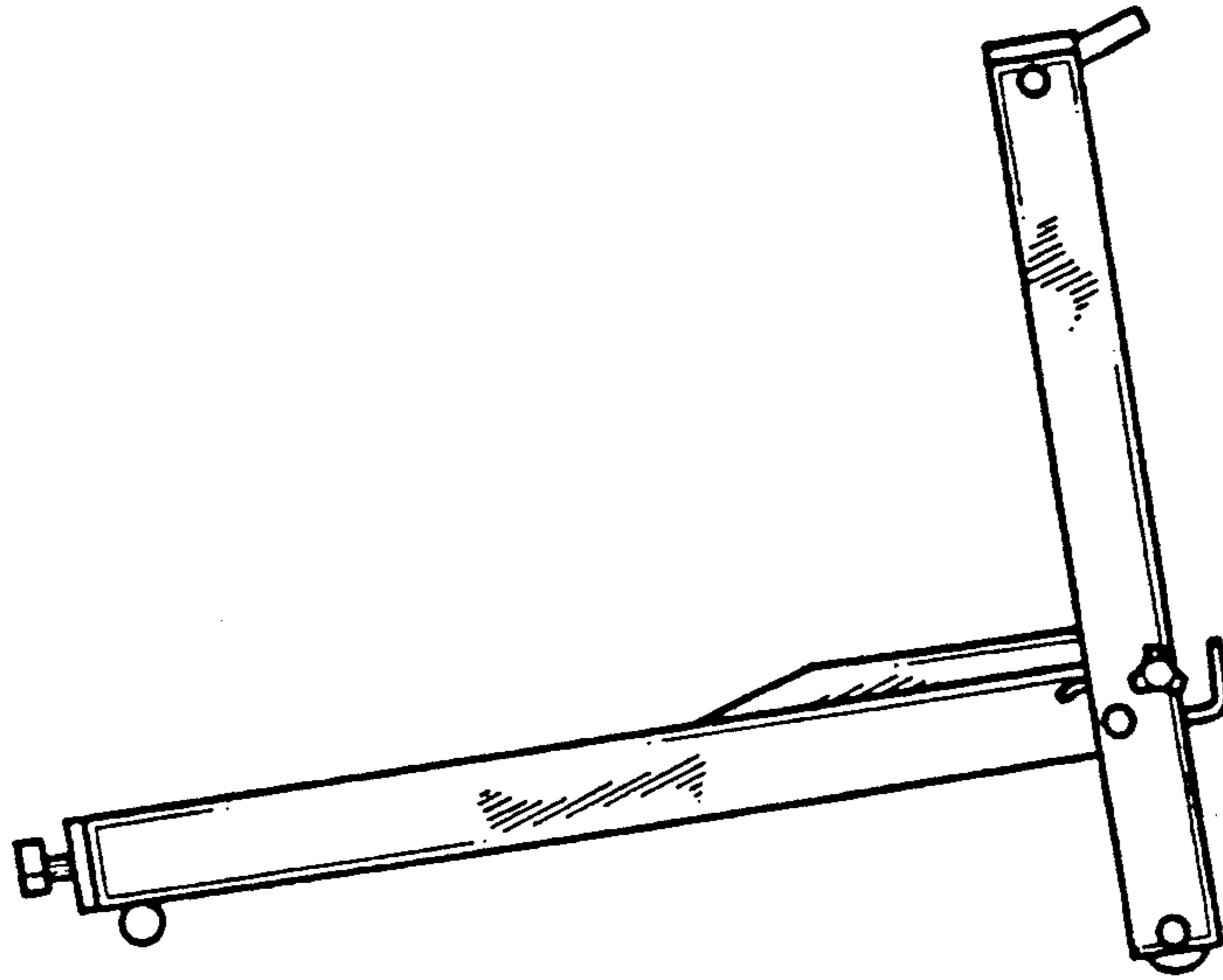


FIG. 4

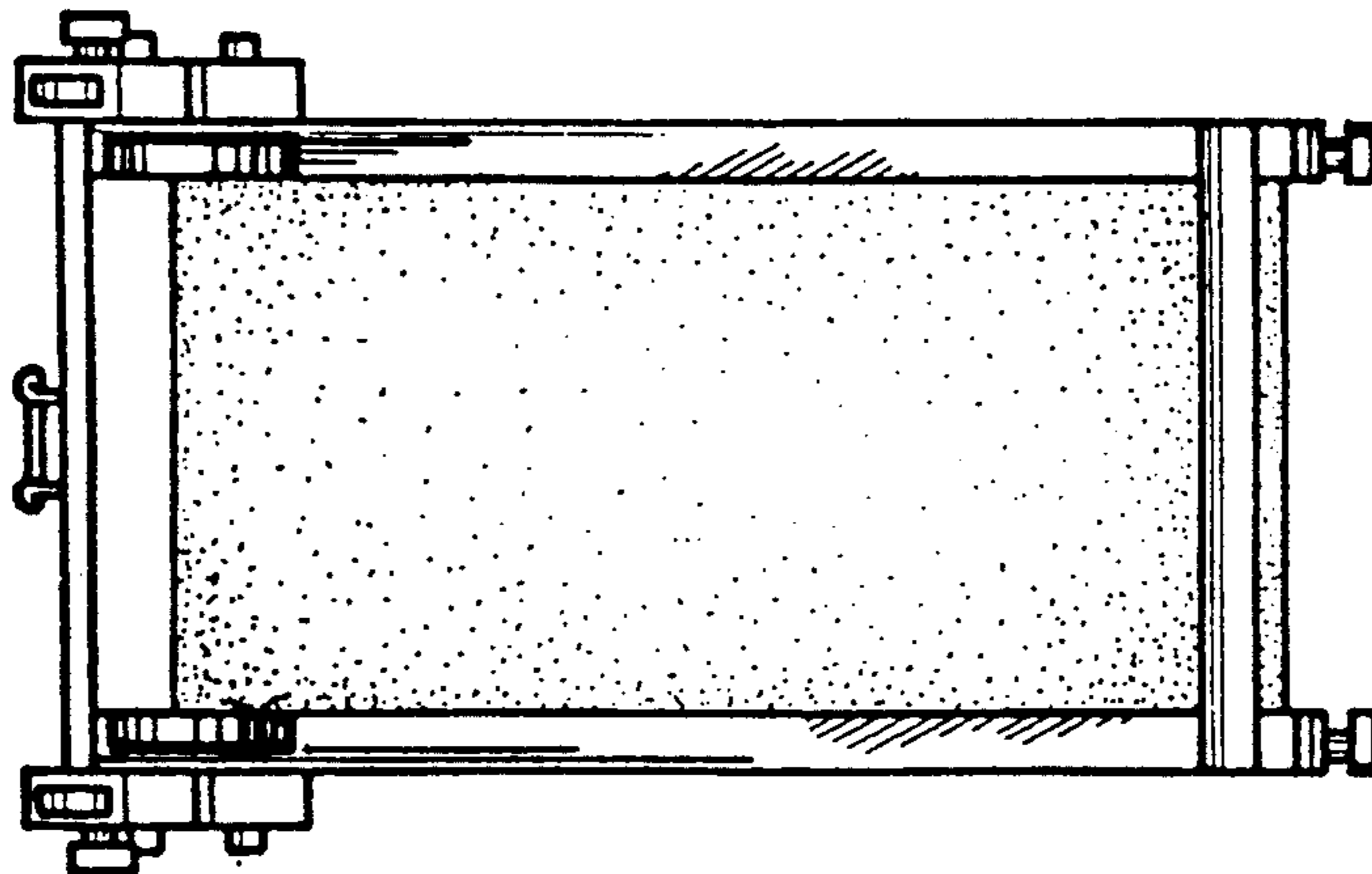


FIG. 5

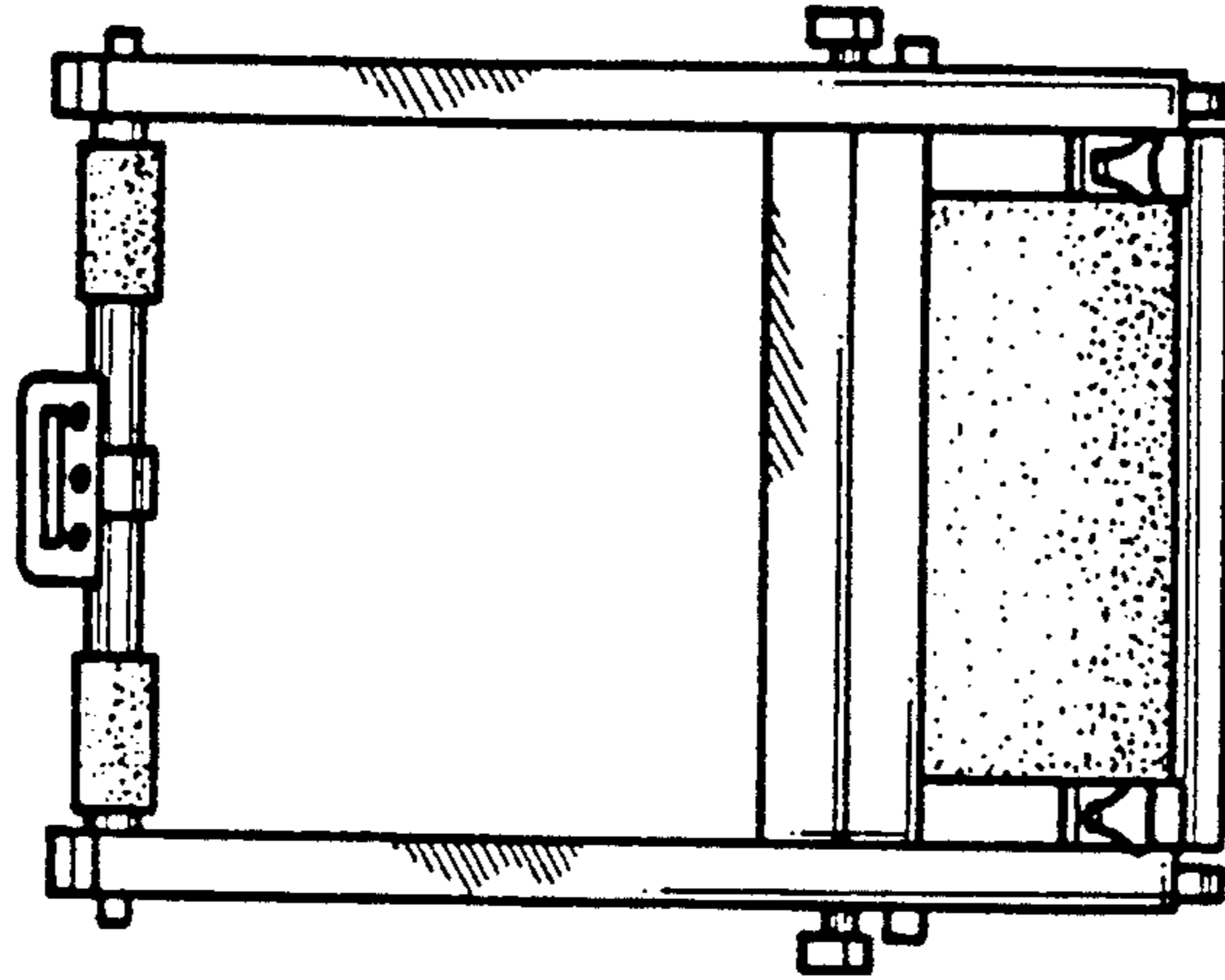


FIG. 7

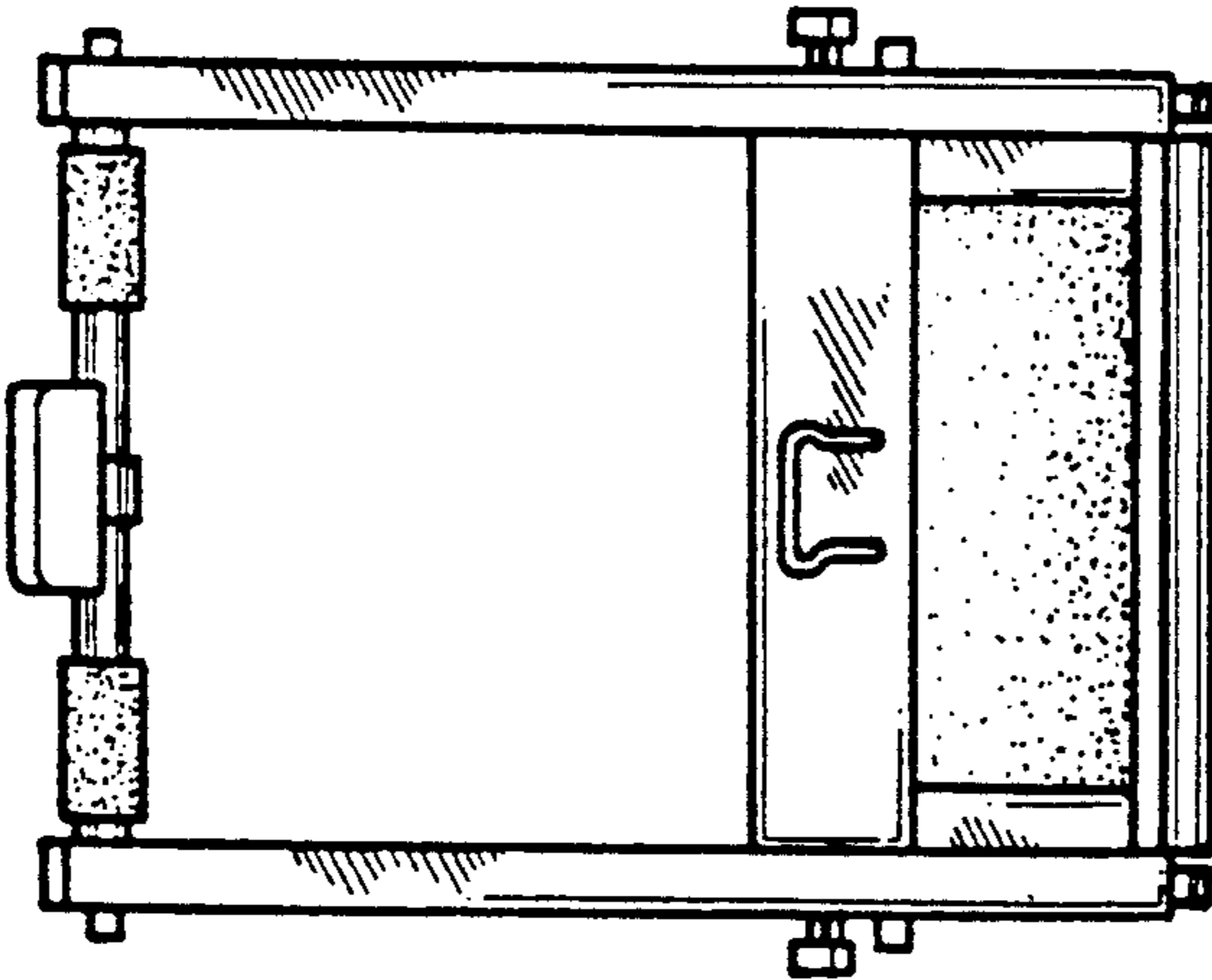


FIG. 6