



US00D342106S

United States Patent [19]

[11] Patent Number: **Des. 342,106**

Campbell et al.

[45] Date of Patent: **** Dec. 7, 1993**

[54] **EXERCISE CHAIR**

[75] Inventors: **Frank W. Campbell**, Robbinsdale;
James R. Bostic, Waconia; **Timothy S. Engel**, Mound, all of Minn.

[73] Assignee: **NordicTrack, Inc.**, Chaska, Minn.

[**] Term: **14 Years**

[21] Appl. No.: **998,875**

[22] Filed: **Dec. 29, 1992**

Related U.S. Application Data

[63] Continuation of Ser. No. 742,708, Aug. 8, 1991, abandoned, and a continuation-in-part of Ser. No. 500,517, Mar. 28, 1990, Pat. No. 5,090,694, and a continuation-in-part of Ser. No. 808,675, Dec. 13, 1991, Pat. No. 5,147,265, which is a continuation of Ser. No. 500,517, Mar. 28, 1990, Pat. No. 5,090,694.

[52] U.S. Cl. **D21/191**

[58] Field of Search **D21/191, 195; D6/371, D6/373, 367; 482/130, 138, 142, 92, 119, 115, 116**

[56]

References Cited

U.S. PATENT DOCUMENTS

D. 278,668	5/1985	Simpkins	D6/367
D. 295,468	5/1988	Snodgrass	D6/373
D. 300,657	4/1989	Simpkins	D6/367
3,738,649	6/1973	Miller	482/138
3,759,512	9/1973	Yount et al.	482/138
4,722,525	2/1988	Brentham	482/137
4,921,247	5/1990	Sterling	482/138

Primary Examiner—Bernard Ansher

Assistant Examiner—Philip Hyder

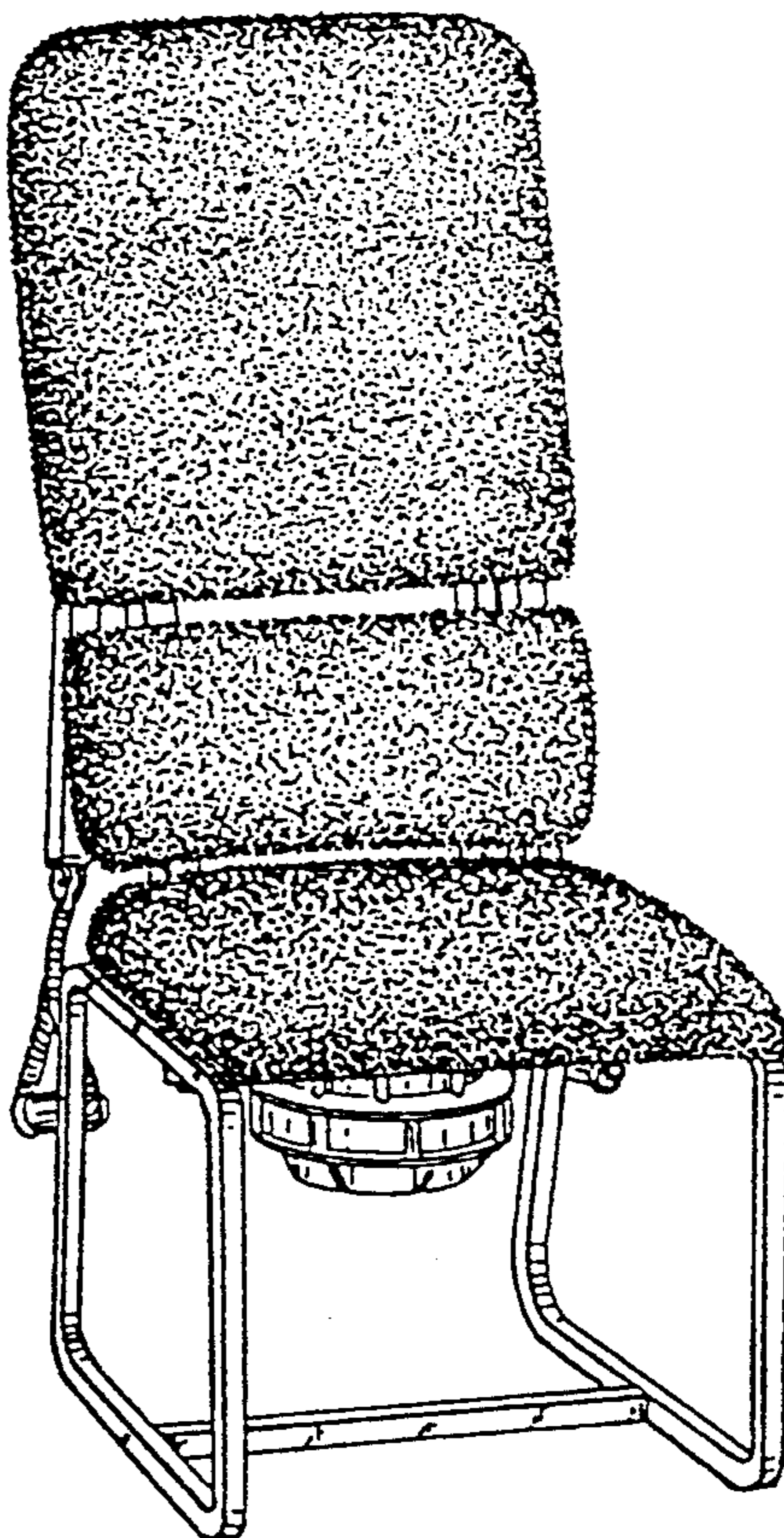
[57]

CLAIM

The ornamental design for an exercise chair, as shown and described.

DESCRIPTION

FIG. 1 is a perspective view of an exercise chair showing our new design;
FIG. 2 is a right side elevational view thereof;
FIG. 3 is a front elevational view thereof;
FIG. 4 is a rear elevational; and,
FIG. 5 is a top plan view thereof.



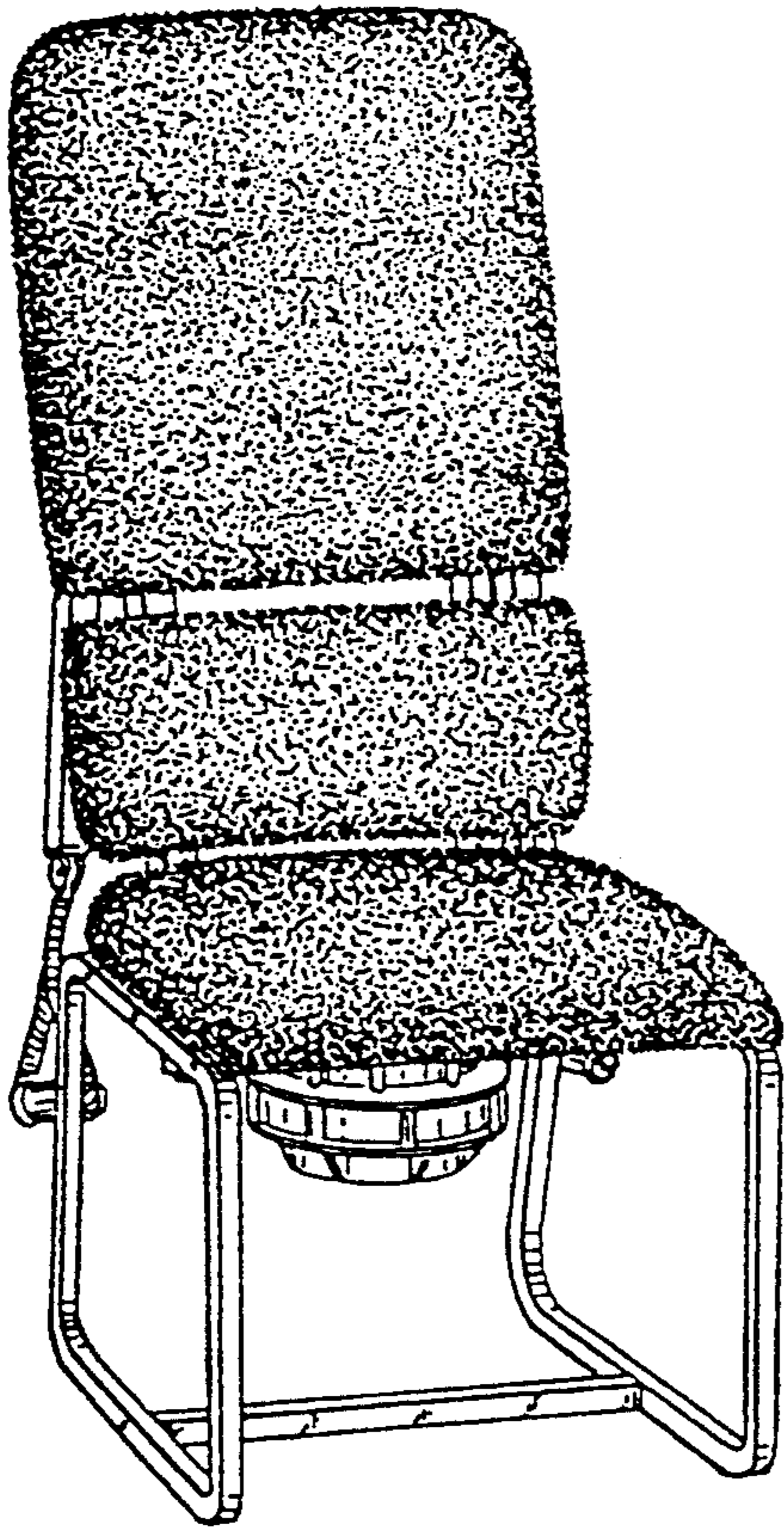


FIG. 1

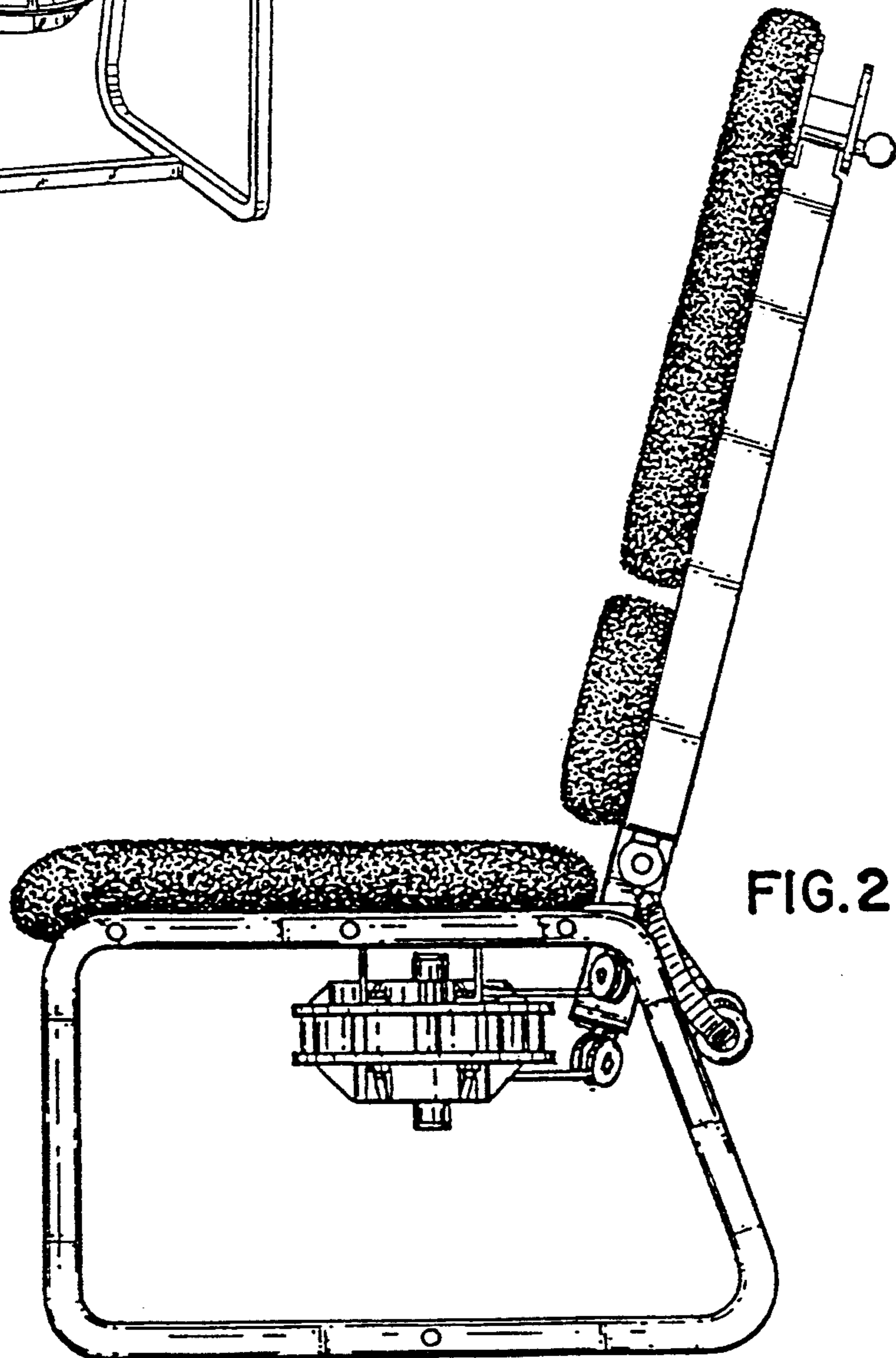


FIG. 2

FIG. 3

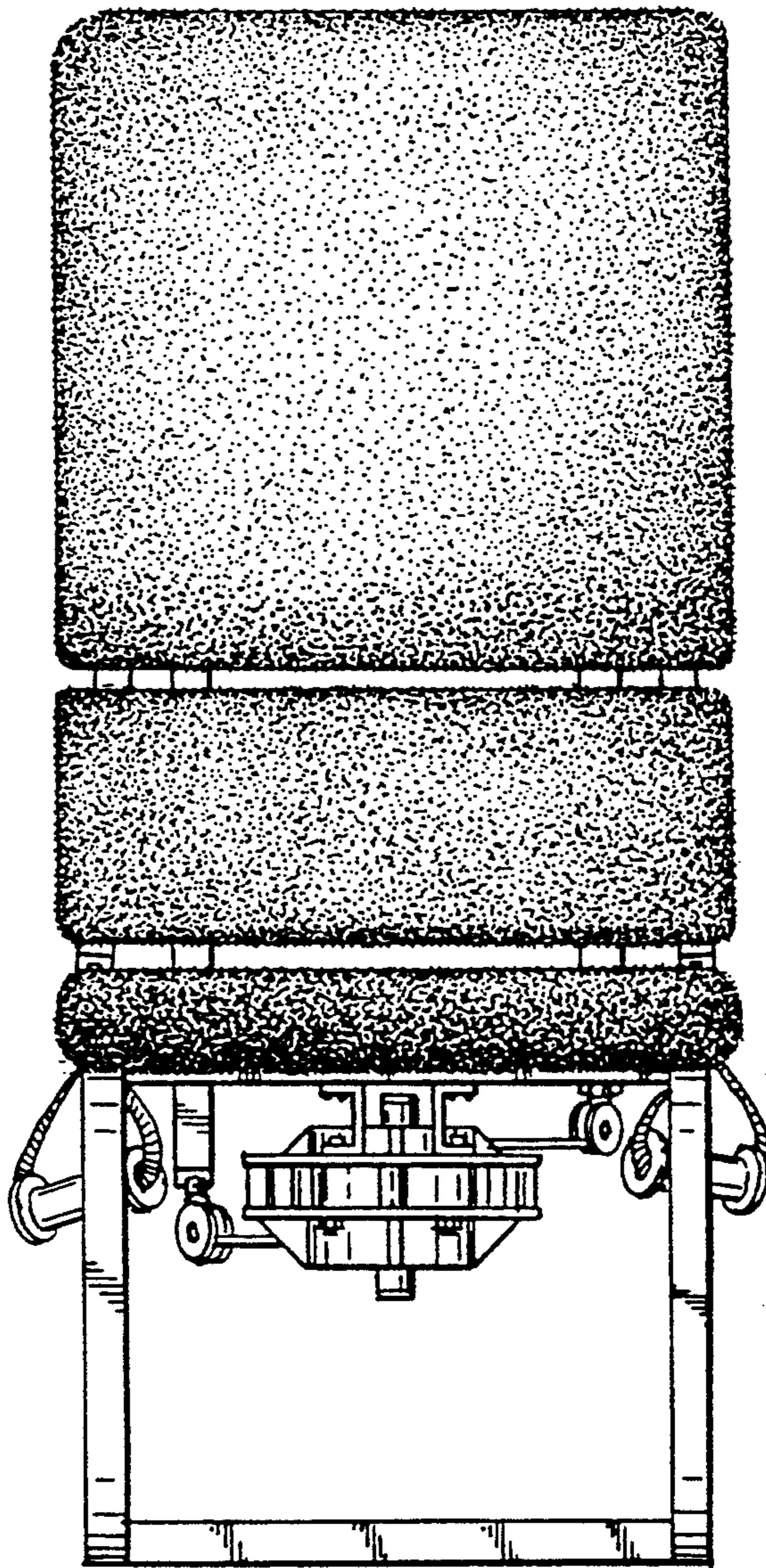


FIG. 4

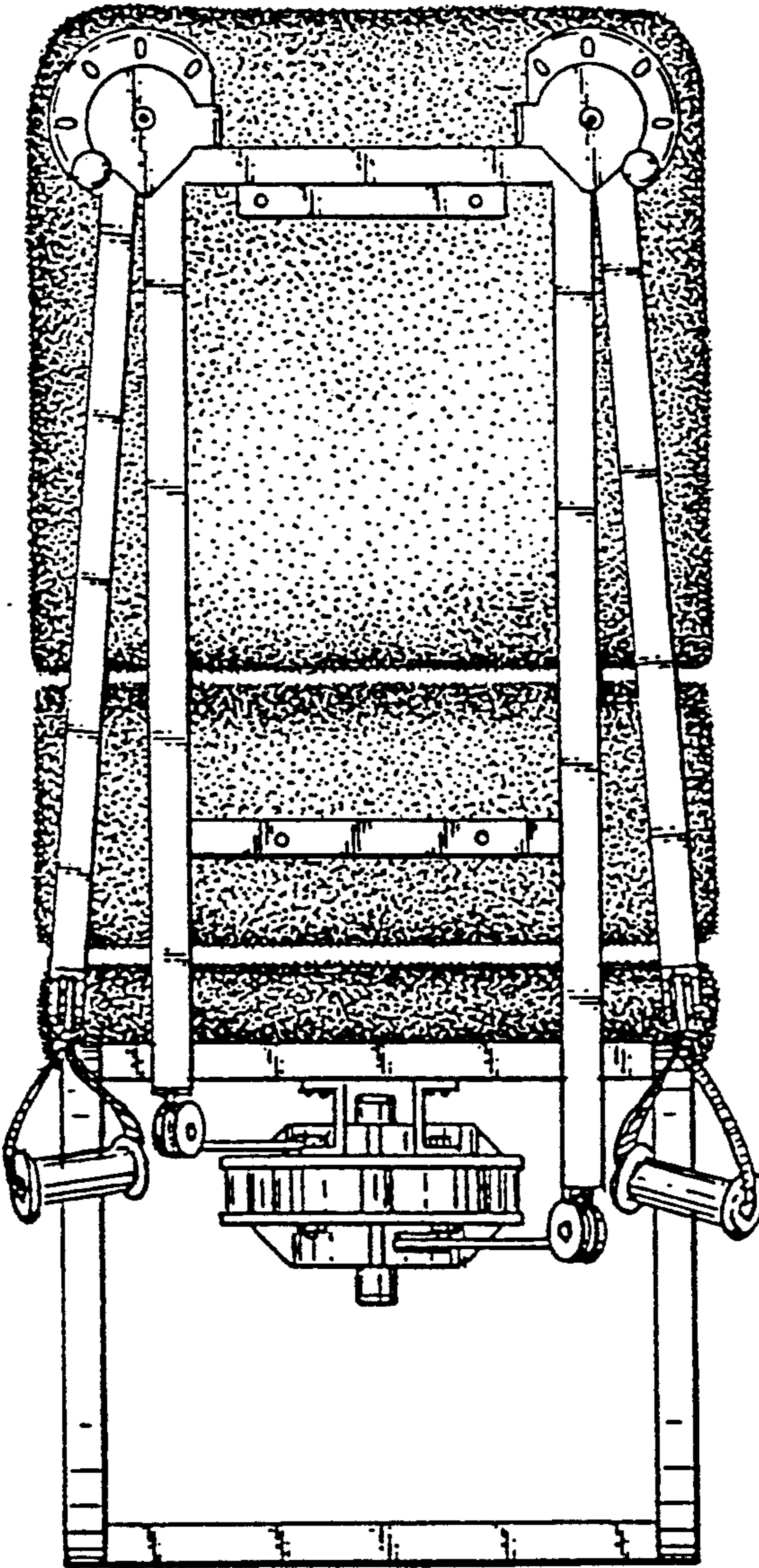


FIG. 5

