



US00D342098S

**United States Patent** [19]  
**Wolff**

[11] **Patent Number: Des. 342,098**  
[45] **Date of Patent: \*\* Dec. 7, 1993**

[54] **STETHOSCOPE IDENTIFICATION TAG**

[76] **Inventor: Stephen H. Wolff, 35 W. 35th St., New York, N.Y. 10001**

[\*] **Notice: The portion of the term of this patent subsequent to Nov. 26, 2005 has been disclaimed.**

[\*\*] **Term: 14 Years**

[21] **Appl. No.: 881,153**

[22] **Filed: May 11, 1992**

[52] **U.S. Cl. .... D20/27**

[58] **Field of Search ..... D20/22, 23, 27, 28, D20/40, 41; 40/1, 1.5, 1.6, 124.1, 300, 299, 301**

[56] **References Cited**

**U.S. PATENT DOCUMENTS**

D. 71,038	9/1926	Underwood .	
D. 87,244	6/1932	Sprung .	
D. 117,036	10/1939	Elliot .	
D. 236,826	9/1975	Smith .	
D. 255,099	5/1980	Borsuk et al. .	
D. 287,864	1/1987	Perfect .	
D. 321,913	11/1991	Wolff .....	D20/42
D. 325,400	4/1992	Wolff .....	D20/42
1,330,142	2/1920	Schwartzberg .	
1,859,578	5/1932	Baily .	
2,514,437	7/1950	Bailhe .	
2,563,572	8/1951	Alonso .....	D20/22
2,799,953	7/1957	Sage .	
3,088,235	5/1963	Kies .	
3,466,774	9/1969	Borresen .	
4,601,255	7/1986	Marcotti .	
4,680,882	7/1987	Watson, Jr. ....	40/5

**OTHER PUBLICATIONS**

Sample of stethoscope identification tag (Capoten-/Azactam) (undated).

Sample of stethoscope identification tag (Cefizox) (undated).

*Primary Examiner*—Wallace R. Burke  
*Assistant Examiner*—Marcus Jackson  
*Attorney, Agent, or Firm*—Lerner, David, Littenberg, Krumholz & Mentlik

[57] **CLAIM**

The ornamental design for a stethoscope identification tag, as shown and described.

**DESCRIPTION**

FIG. 1 is a perspective view of a stethoscope identification tag showing a first embodiment of my new design, illustrating the same in a closed position and with the broken line showing for illustrative purposes only and forming no part of the claimed design;

FIG. 2 is another perspective view thereof, illustrating the same in an open position;

FIG. 3 is a front elevational view thereof;

FIG. 4 is a right side elevational view thereof;

FIG. 5 is a rear elevational view thereof;

FIG. 6 is a top plan view thereof;

FIG. 7 is a bottom plan view thereof;

FIG. 8 is a front perspective view of a stethoscope identification tag showing a second embodiment of my new design, illustrating the same in a closed position;

FIG. 9 is another perspective view thereof, illustrating the same in an open position;

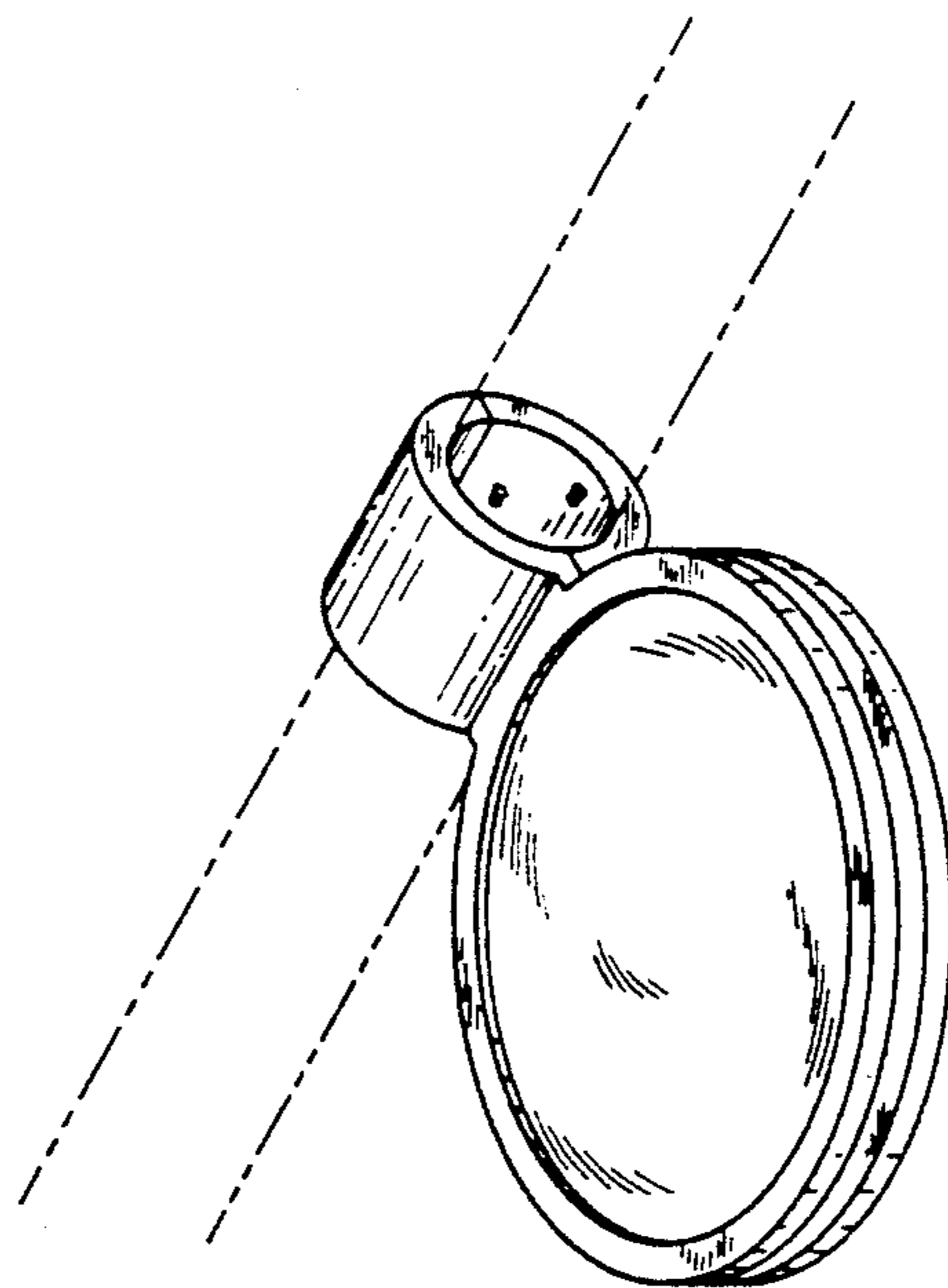
FIG. 10 is a front elevational view thereof;

FIG. 11 is a right side elevational view thereof;

FIG. 12 is a rear elevational view thereof;

FIG. 13 is a top plan view thereof; and,

FIG. 14 is a bottom plan view thereof.



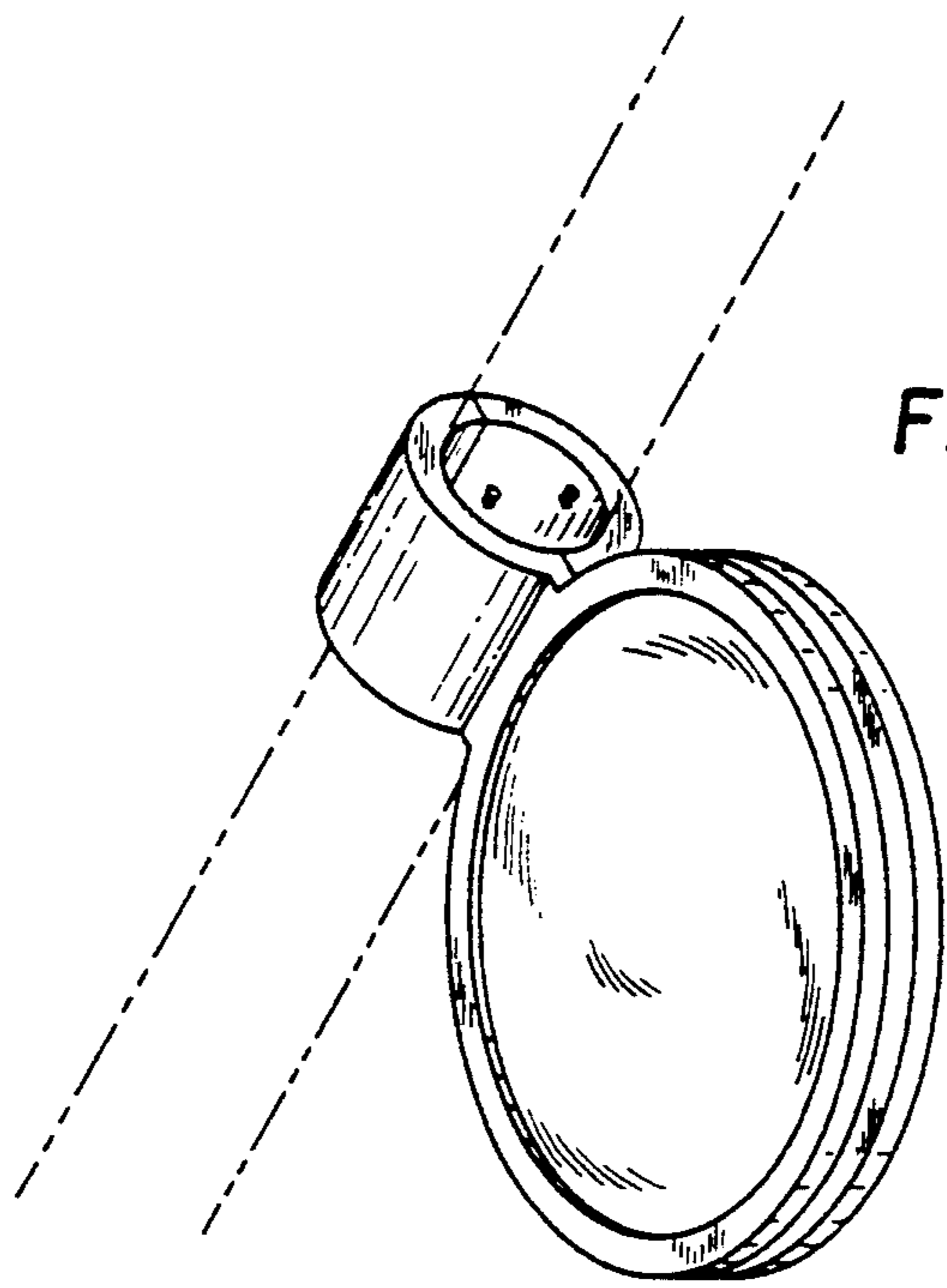


FIG. 1

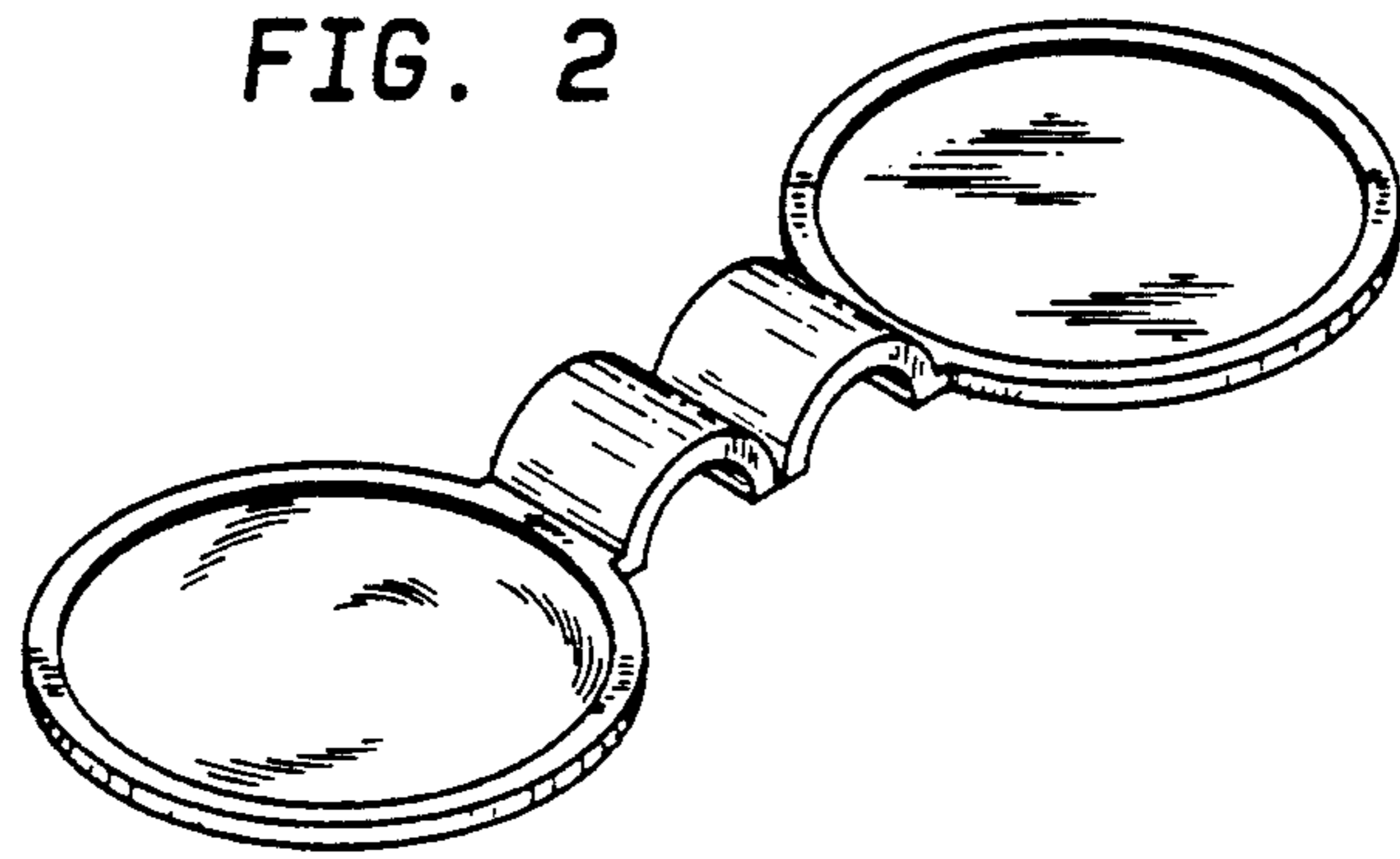


FIG. 2

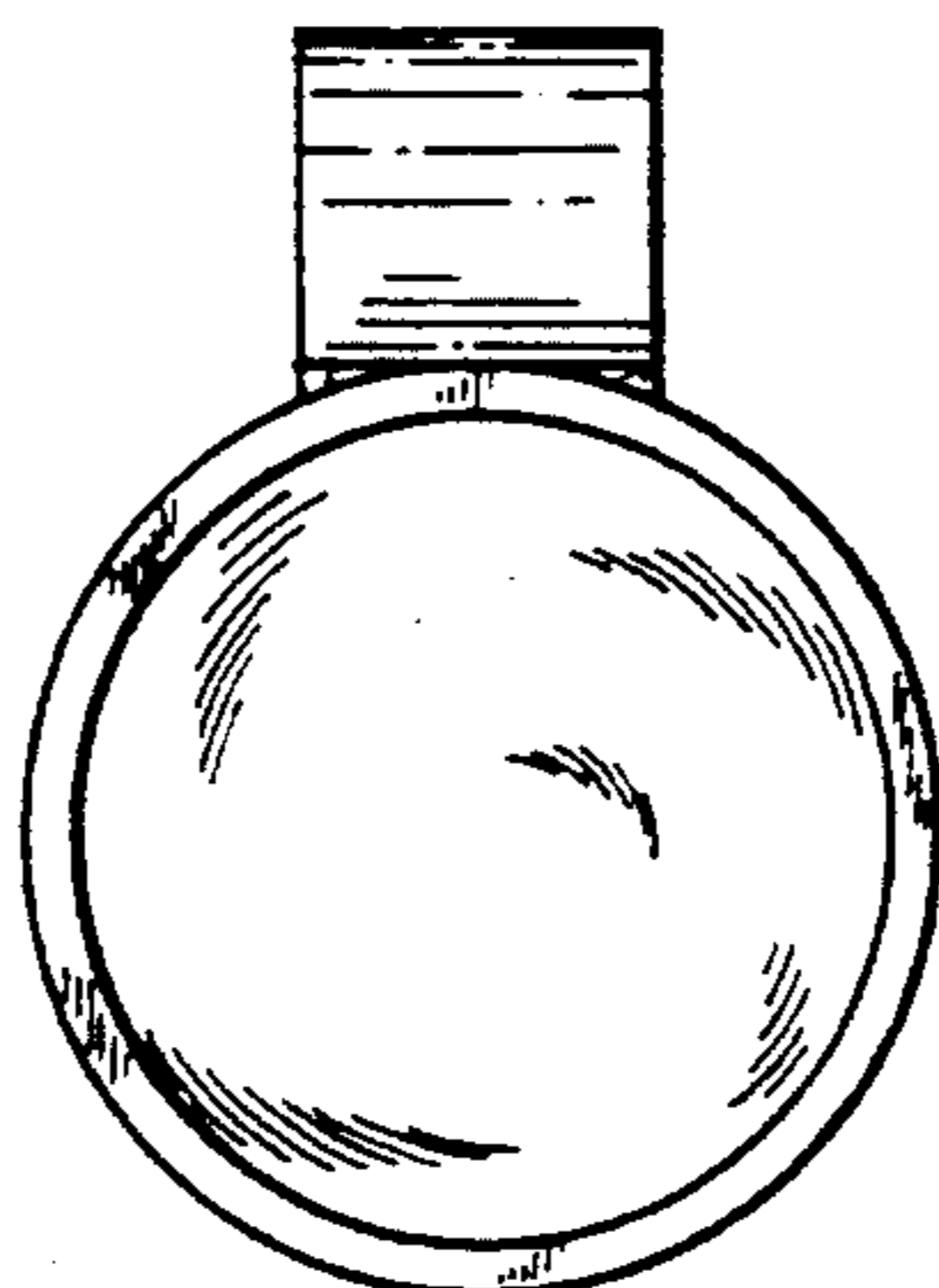


FIG. 3

FIG. 4

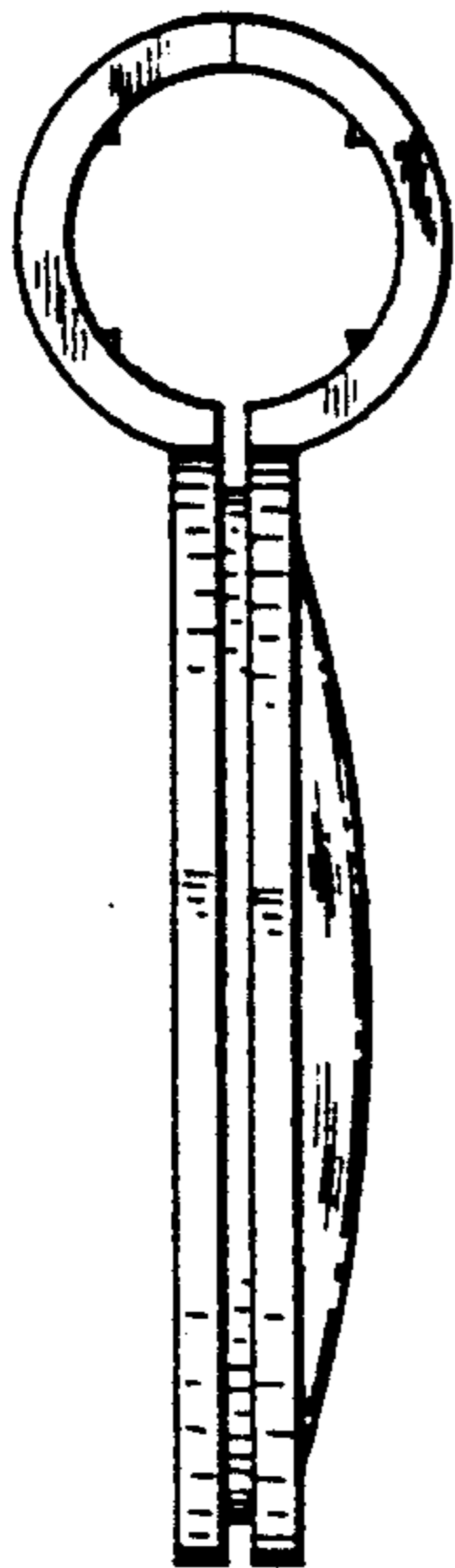


FIG. 5

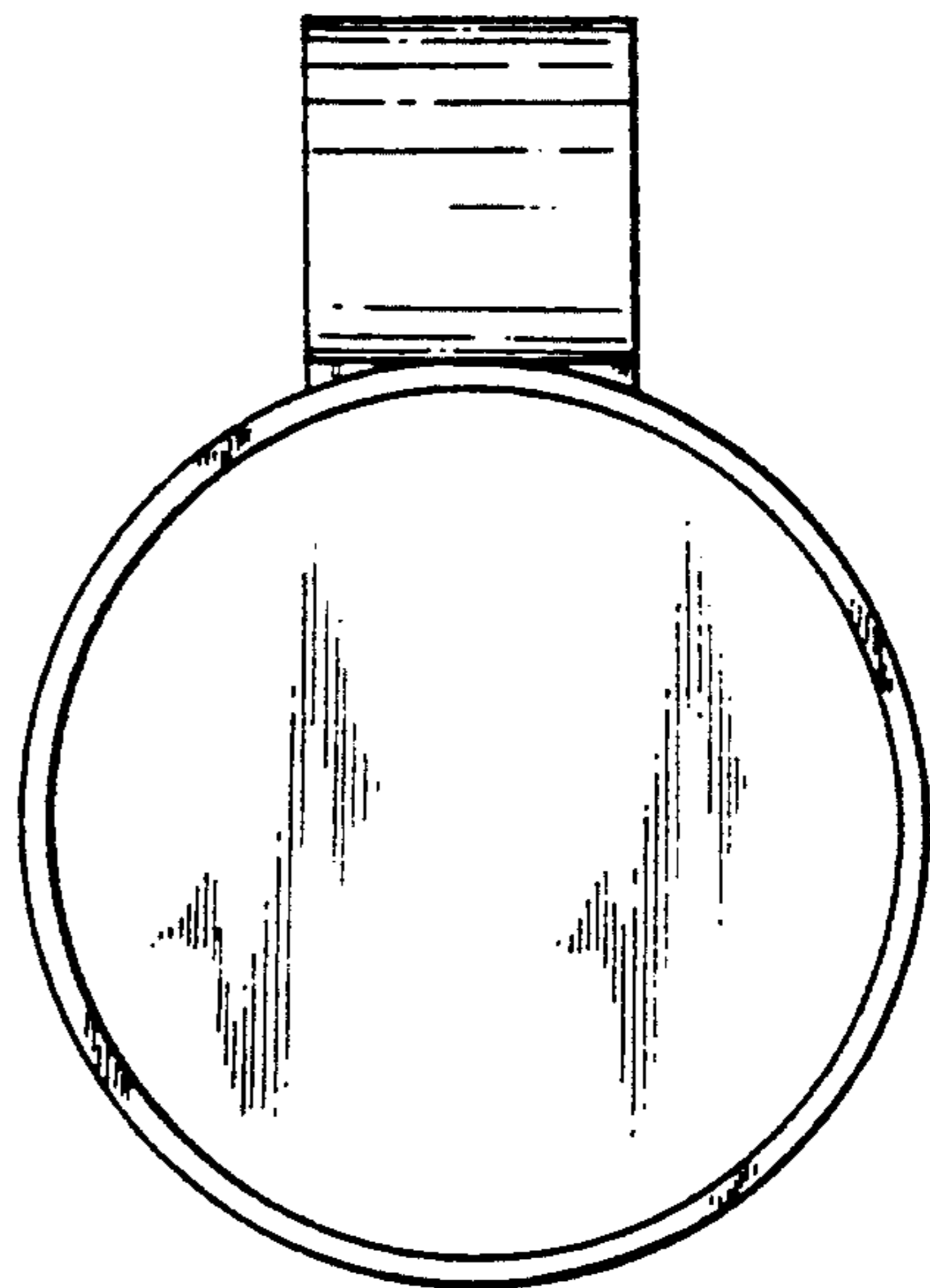


FIG. 6

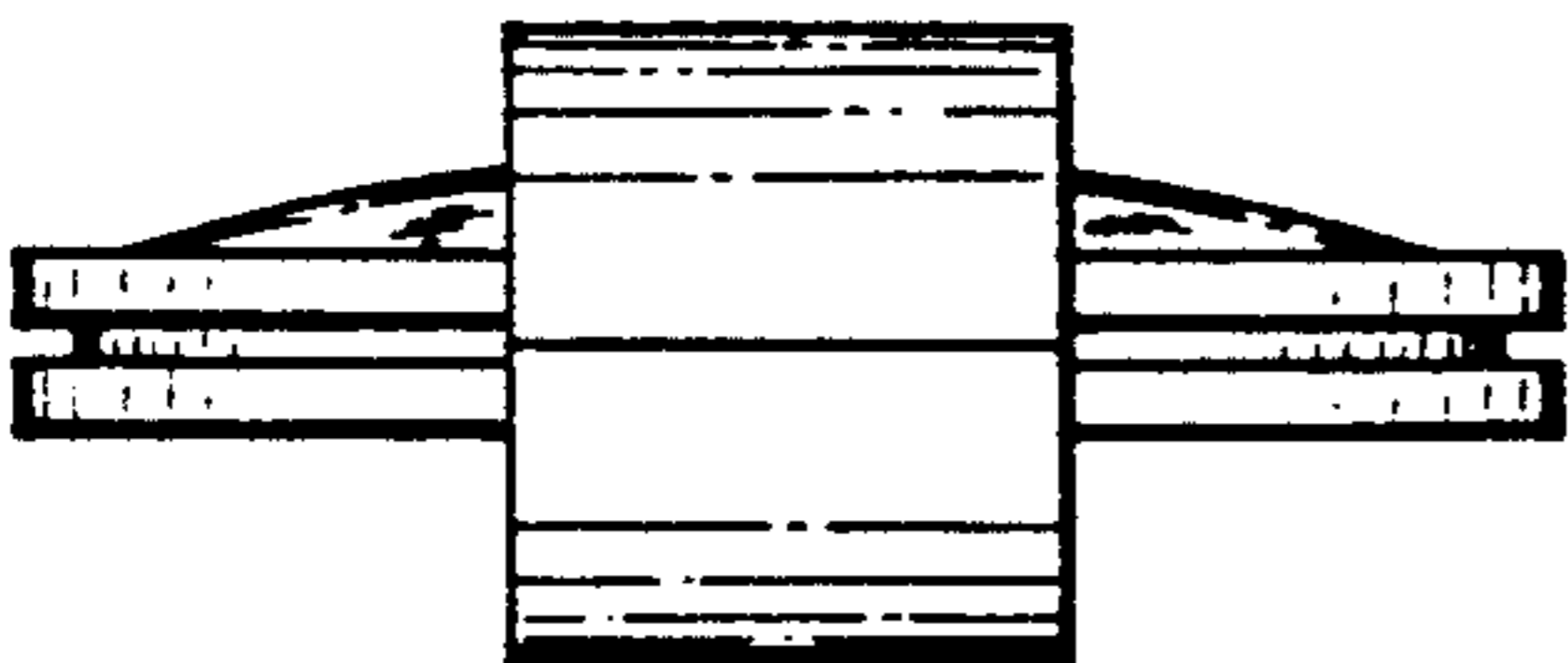
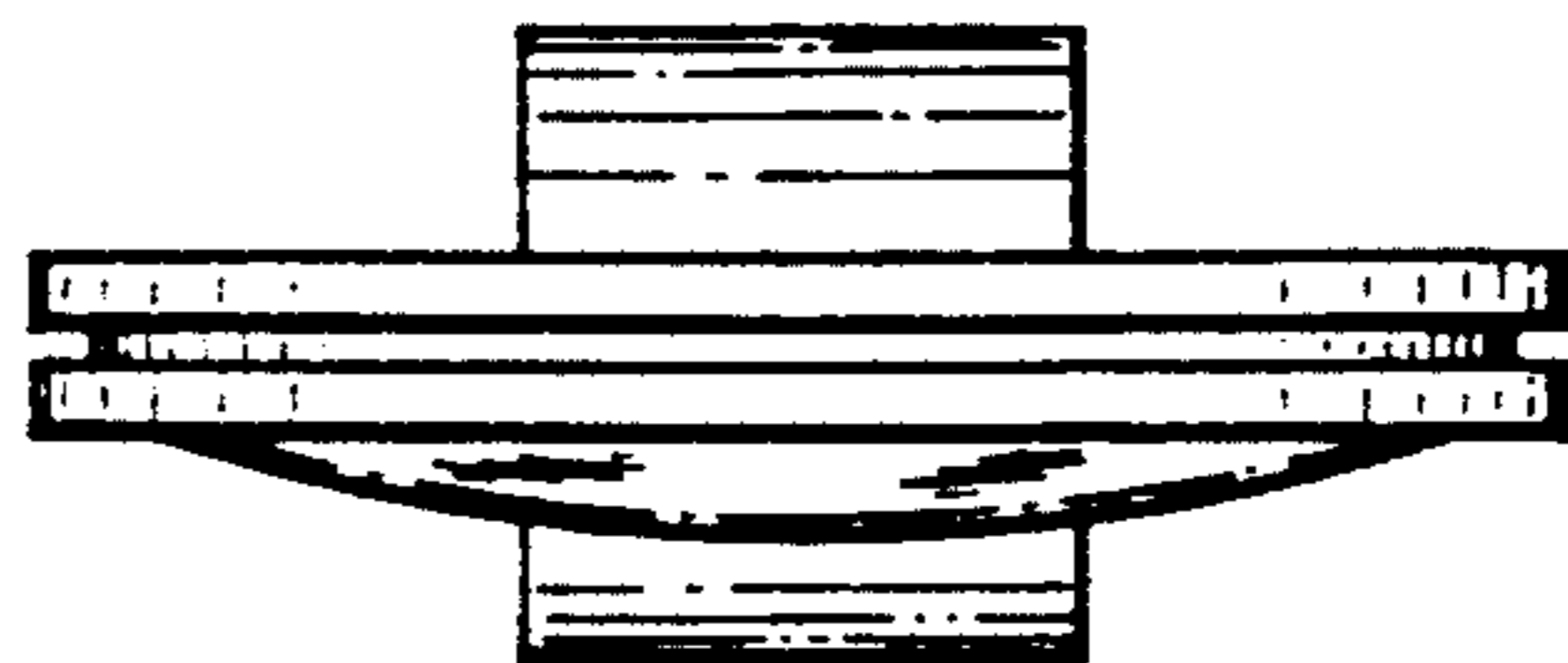


FIG. 7



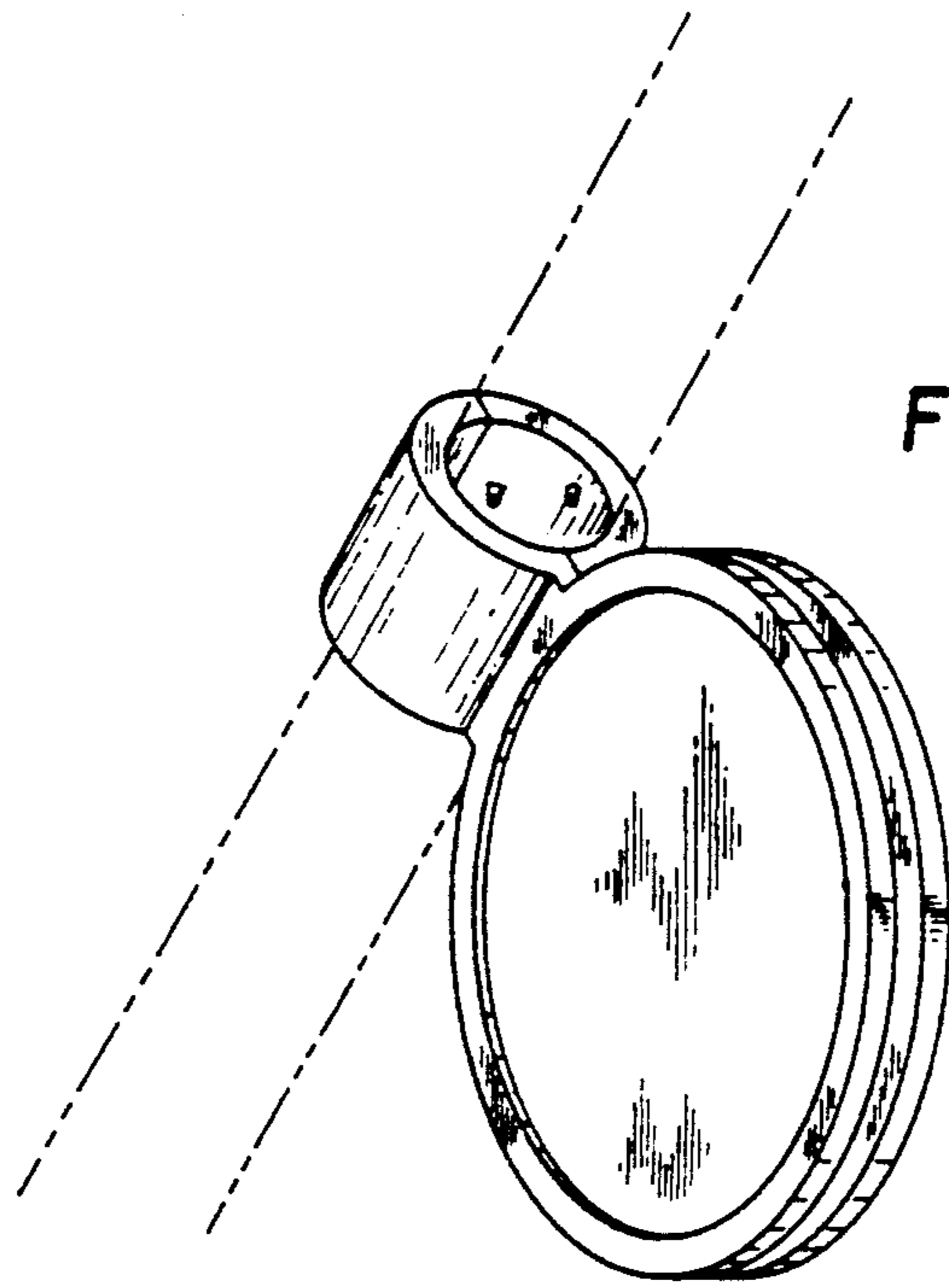


FIG. 8

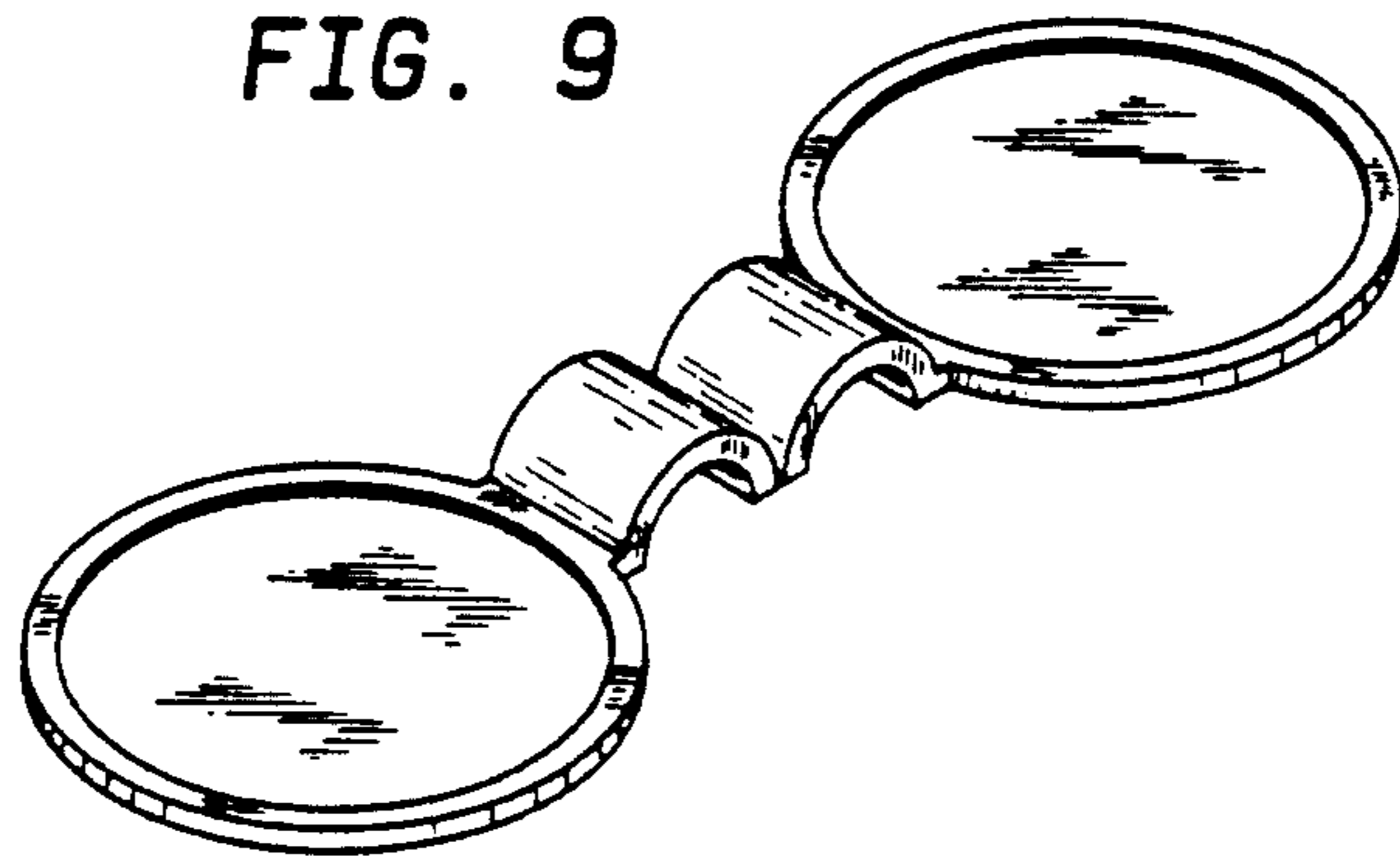


FIG. 9

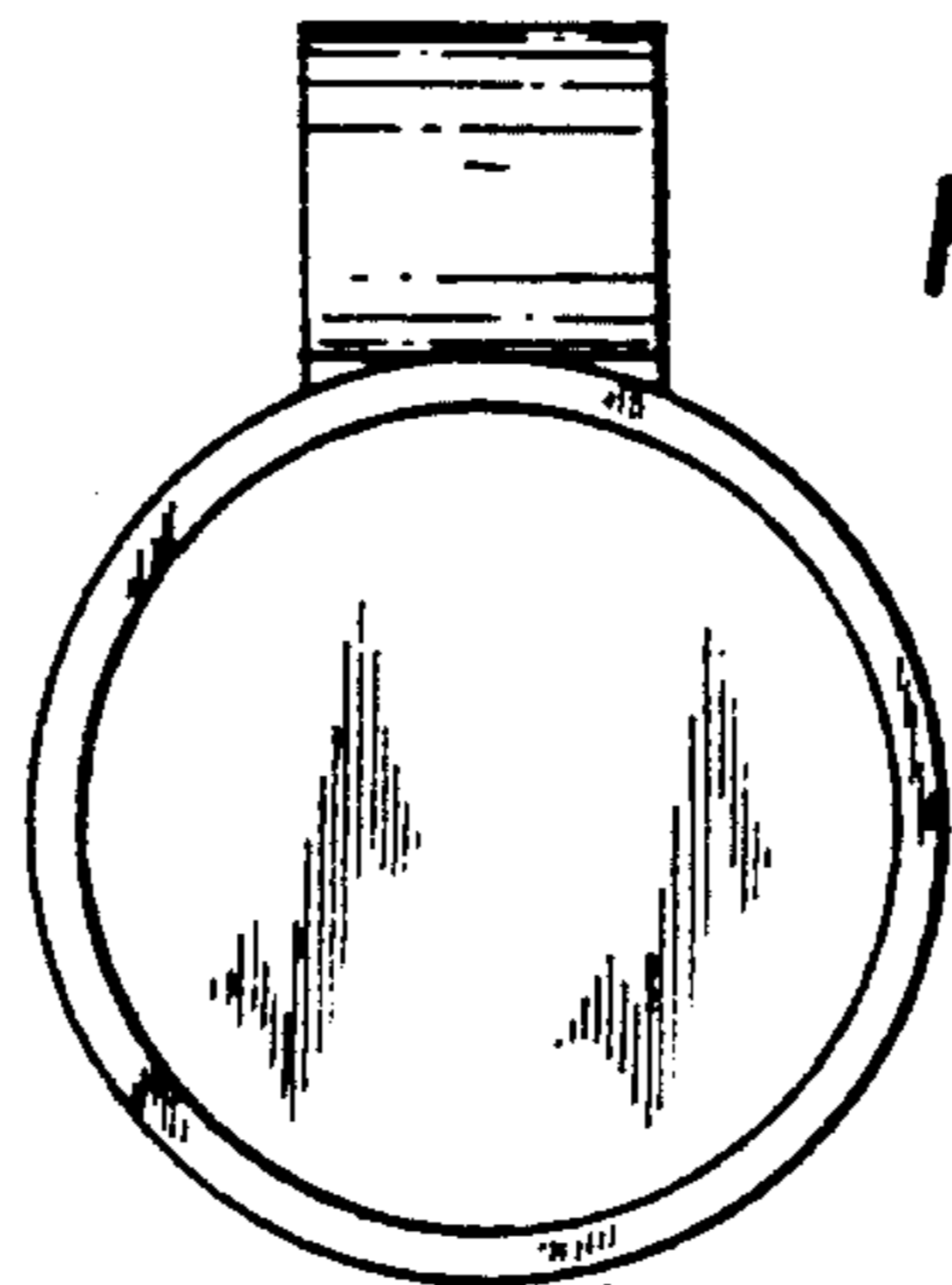


FIG. 10

FIG. 11

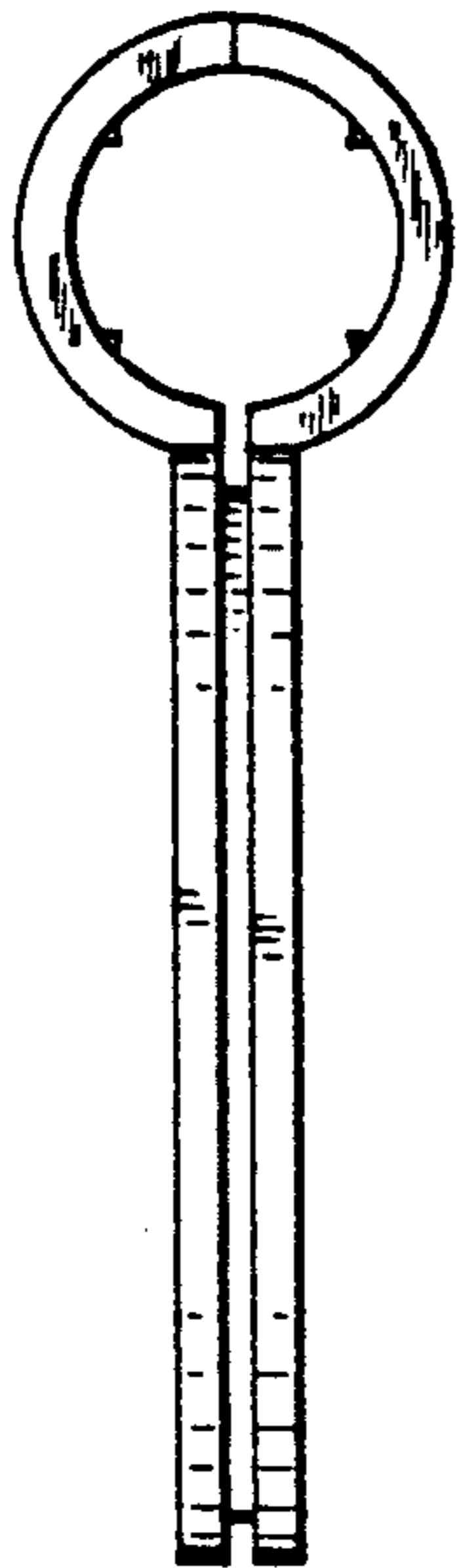


FIG. 12

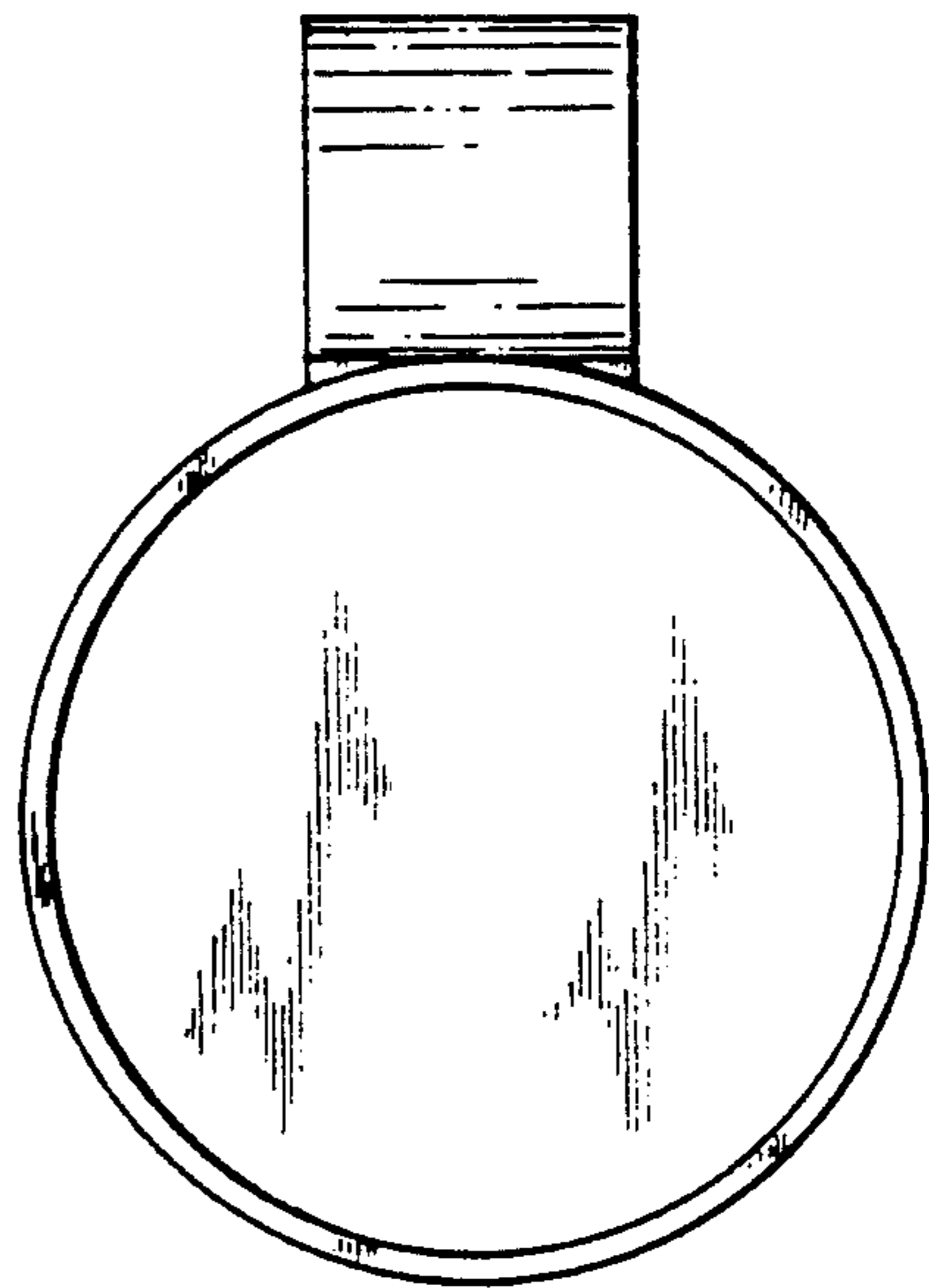


FIG. 13

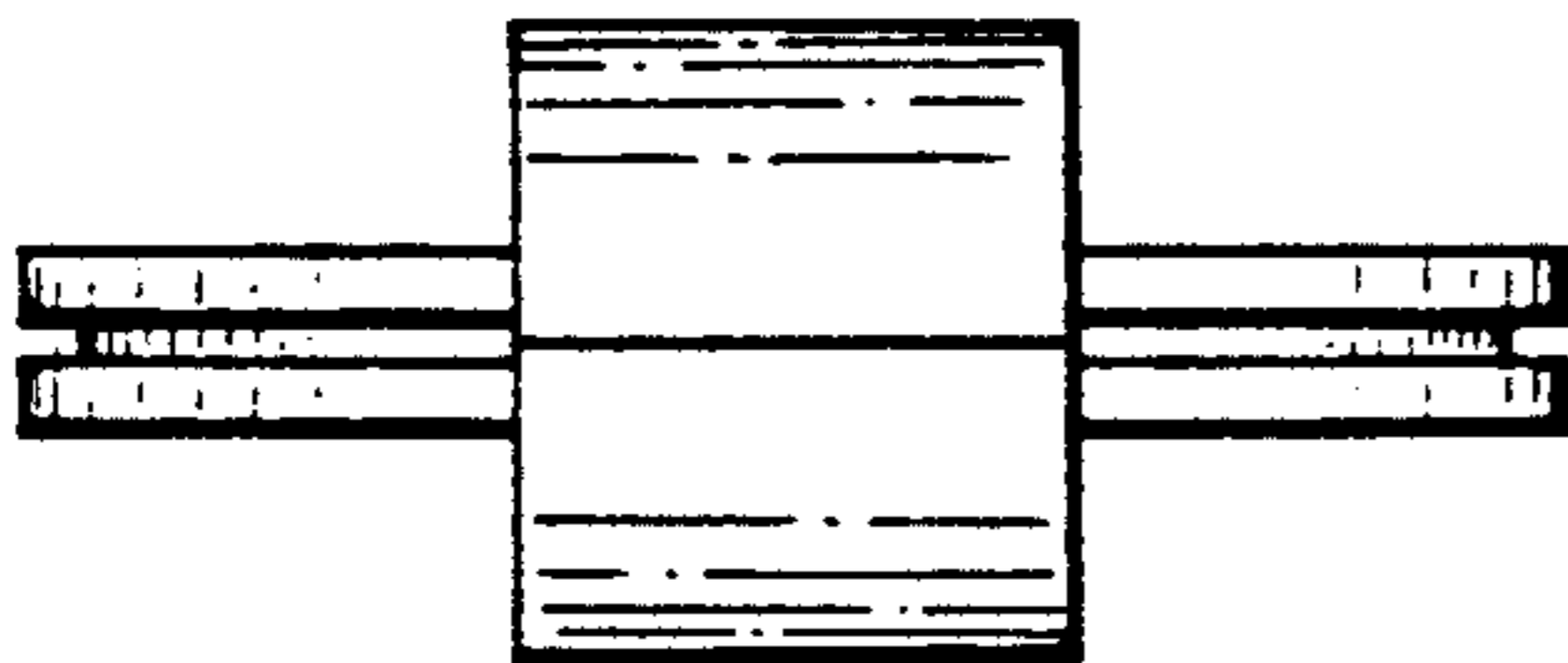


FIG. 14

