



US00D342094S

United States Patent [19]

[11] Patent Number: Des. 342,094

Ancona et al.

[45] Date of Patent: ** Dec. 7, 1993

[54] **DESK ORGANIZER**

D. 329,766 9/1992 Ancona et al. D19/77 X
4,953,696 9/1990 Huang et al. 206/214

[76] Inventors: **Bruce Ancona; Jane Ancona**, both of
21 E. 22nd St., New York City, New
York County, N.Y. 10010

Primary Examiner—Nelson C. Holtje
Assistant Examiner—Martha Thompson
Attorney, Agent, or Firm—James A. Drobile; Robert A.
Koons; Robert Rosenthal

[**] Term: **14 Years**

[21] Appl. No.: **915,949**

[57] **CLAIM**

[22] Filed: **Jul. 24, 1992**

The ornamental design for a desk organizer, as shown
and described.

[52] U.S. Cl. **D19/77; D19/78;
D19/85; D19/73**

DESCRIPTION

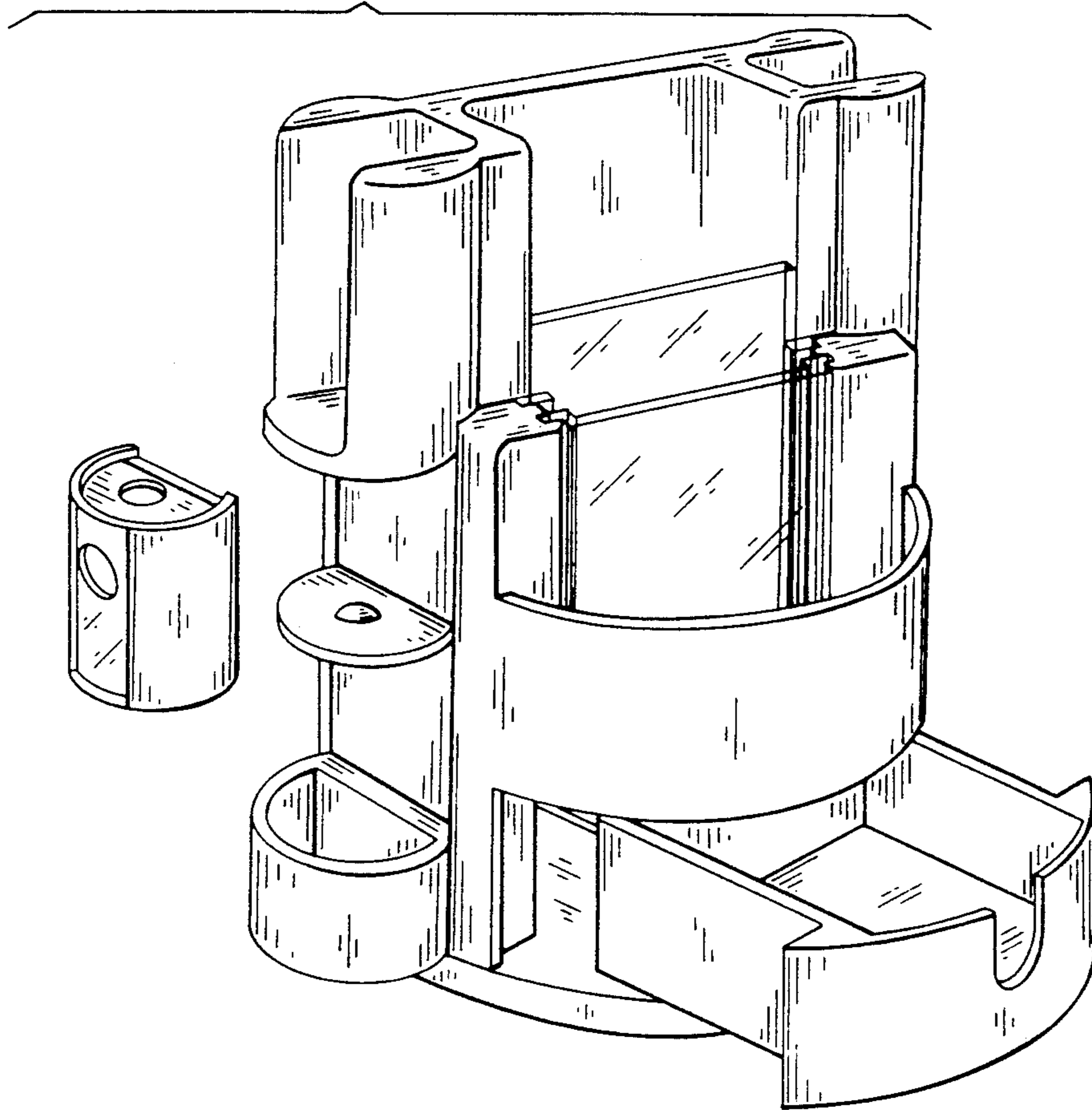
[58] **Field of Search** **D7/637-641;
D19/35, 36, 65, 75, 76, 77, 78, 81-85, 95, 99,
100; 206/214, 224, 371; 211/69.1-69.9; D6/467**

FIG. 1 is a perspective view of a desk organizer show-
ing our new design;
FIG. 2 is a front elevational view thereof;
FIG. 3 is a rear elevational view thereof;
FIG. 4 is a top plan view thereof;
FIG. 5 is a bottom plan view thereof;
FIG. 6 is a left side elevational view thereof;
FIG. 7 is a right side elevational view thereof;
FIG. 8 is a perspective view of a second embodiment of
our new design shown in an exploded condition, the
drawer member being in an opened position;
FIG. 9 is a front elevational view of the embodiment of
FIG. 8; and
FIG. 10 is a top plan view of the embodiment of FIG.
8.

[56] **References Cited**

U.S. PATENT DOCUMENTS

D. 288,939	3/1987	Boon	D19/78
D. 302,908	8/1989	Hwang	D19/77 X
D. 303,552	9/1989	Ancona et al.	D19/65 X
D. 312,559	12/1990	Ancona et al.	D7/641
D. 312,662	12/1990	Ancona et al.	D19/77
D. 316,502	4/1991	Ancona et al.	D7/641
D. 318,000	7/1991	Wu	D7/641
D. 324,181	2/1992	Wu	D6/457
D. 328,100	7/1992	Liaw	D19/65 X



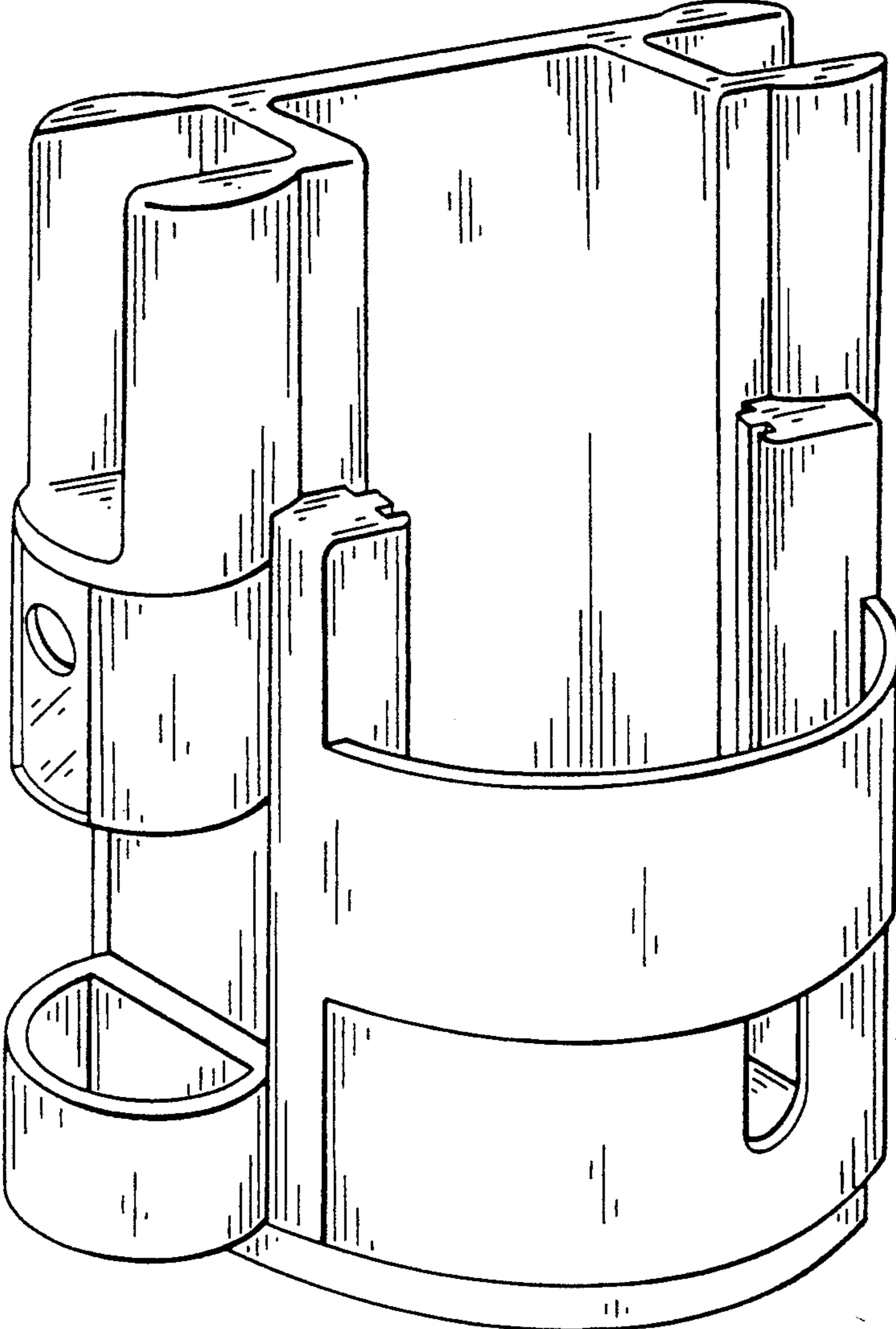


FIG. 1

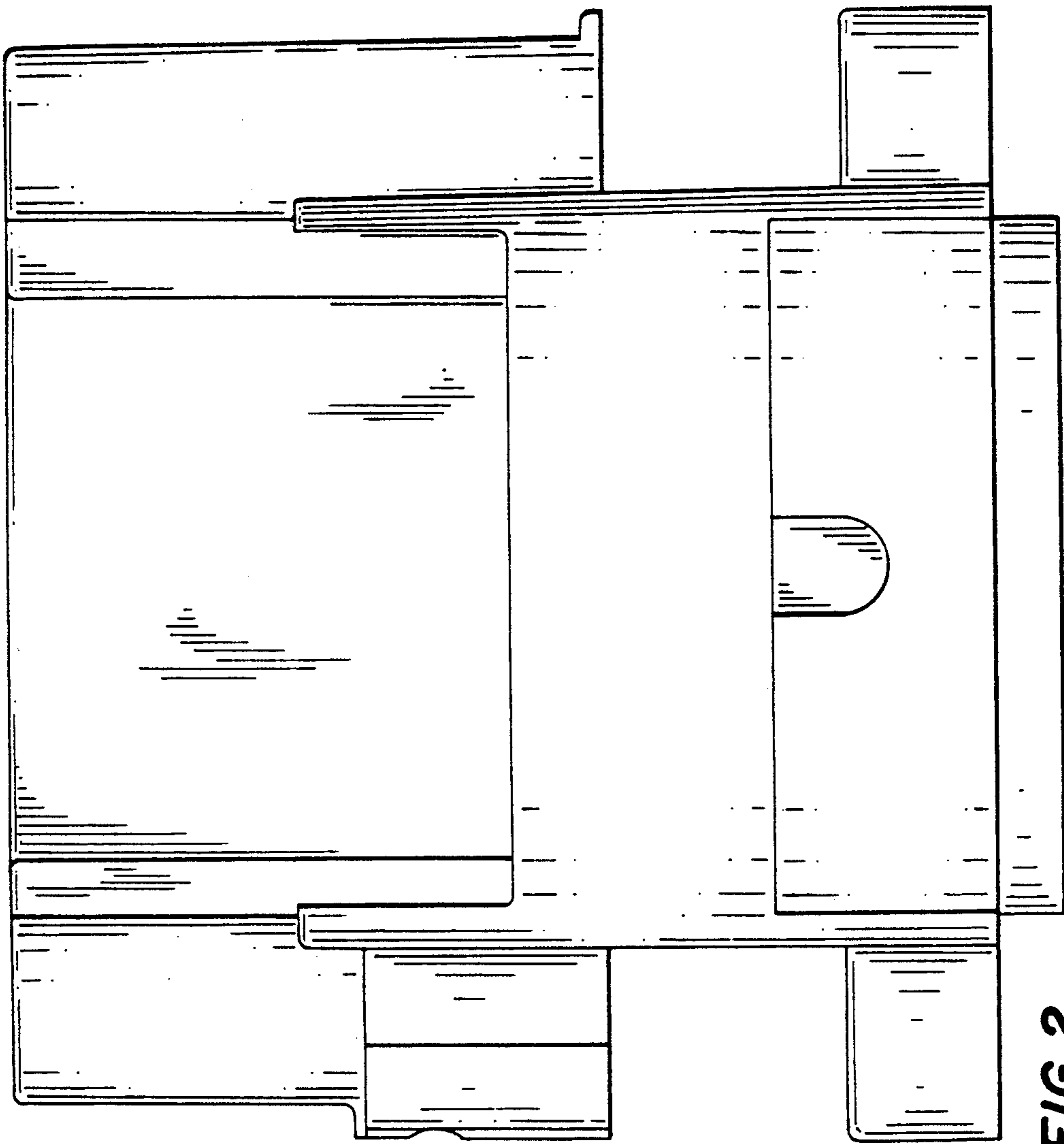


FIG. 2

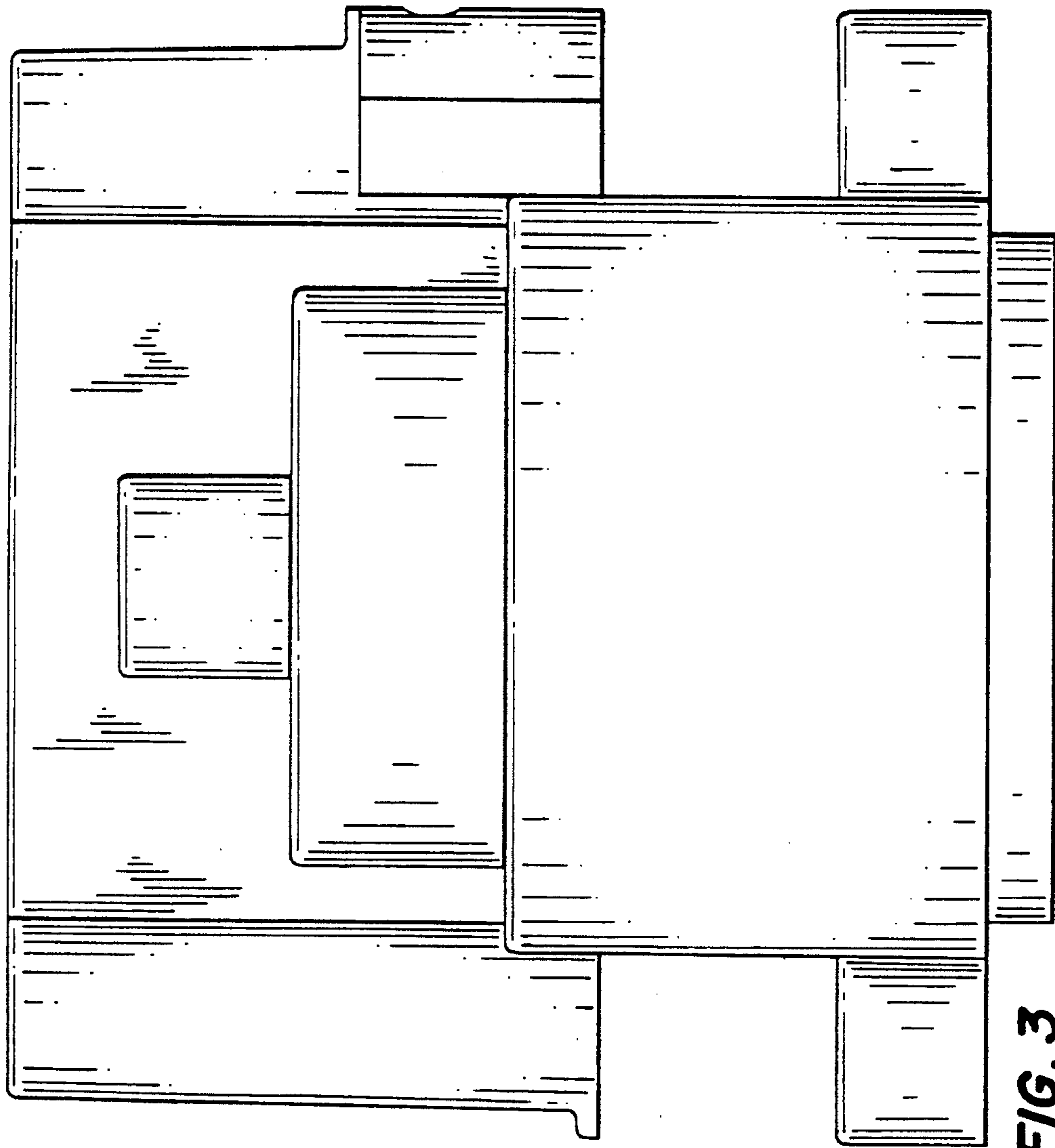


FIG. 3

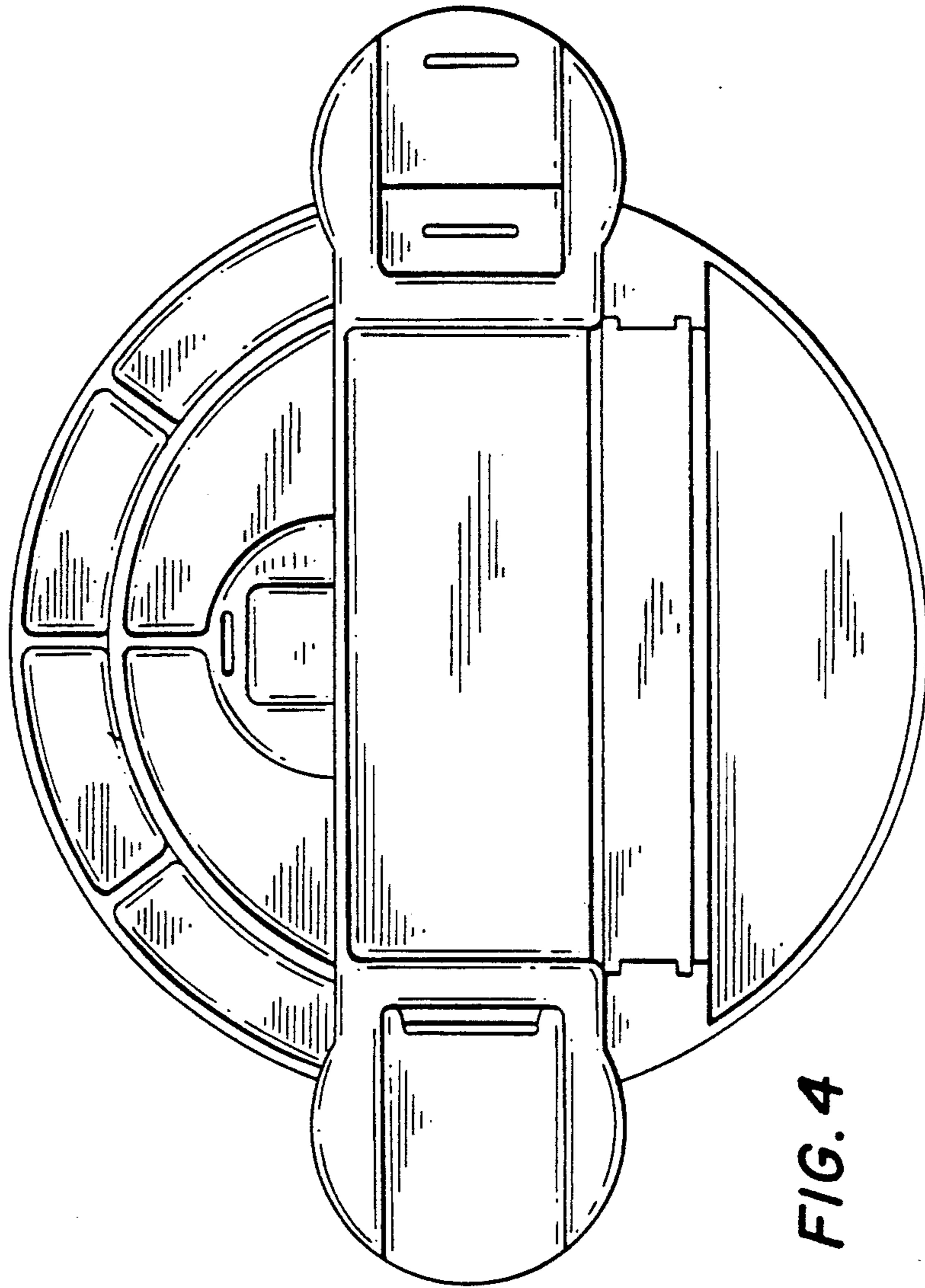


FIG. 4

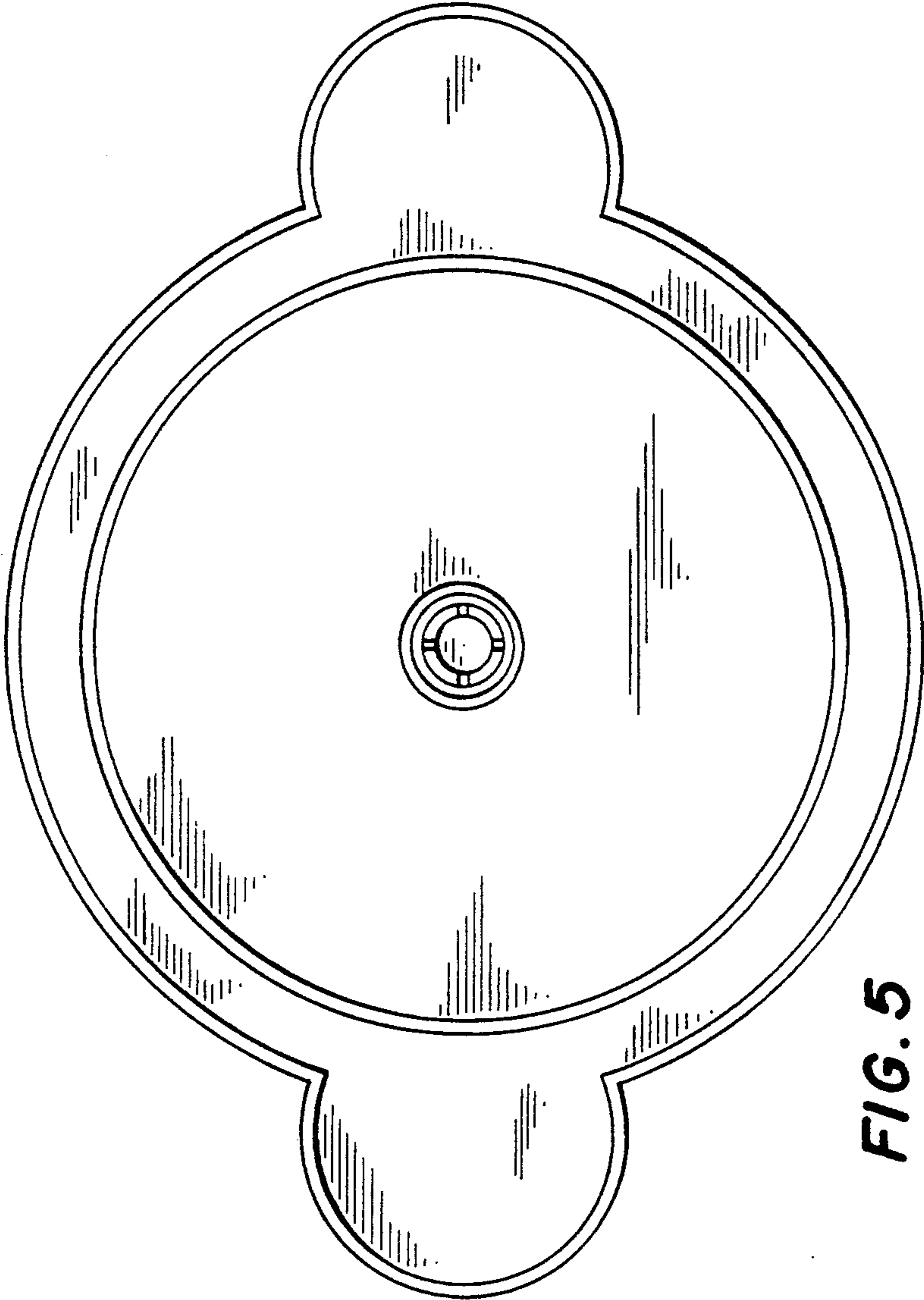


FIG. 5

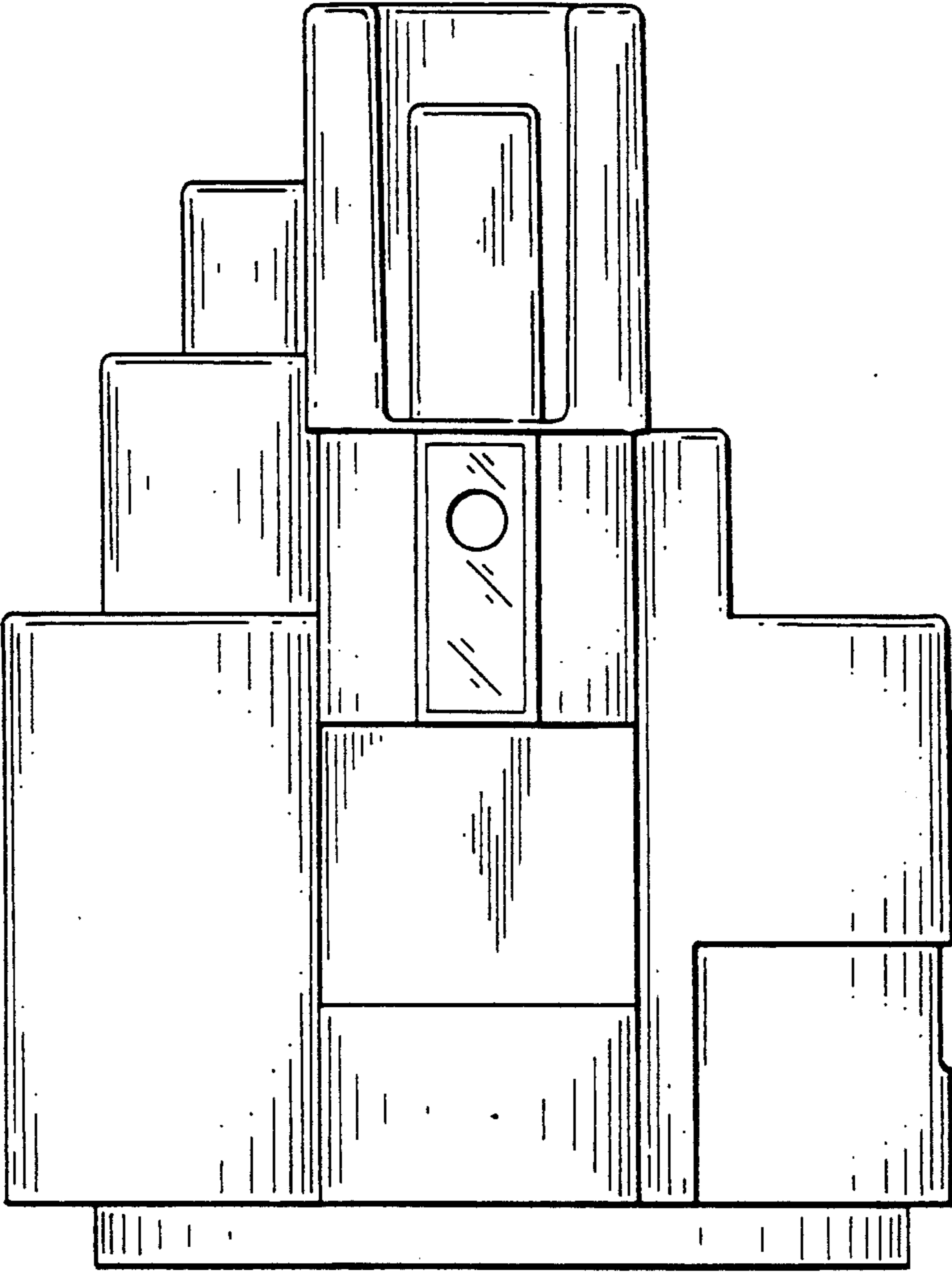


FIG. 6

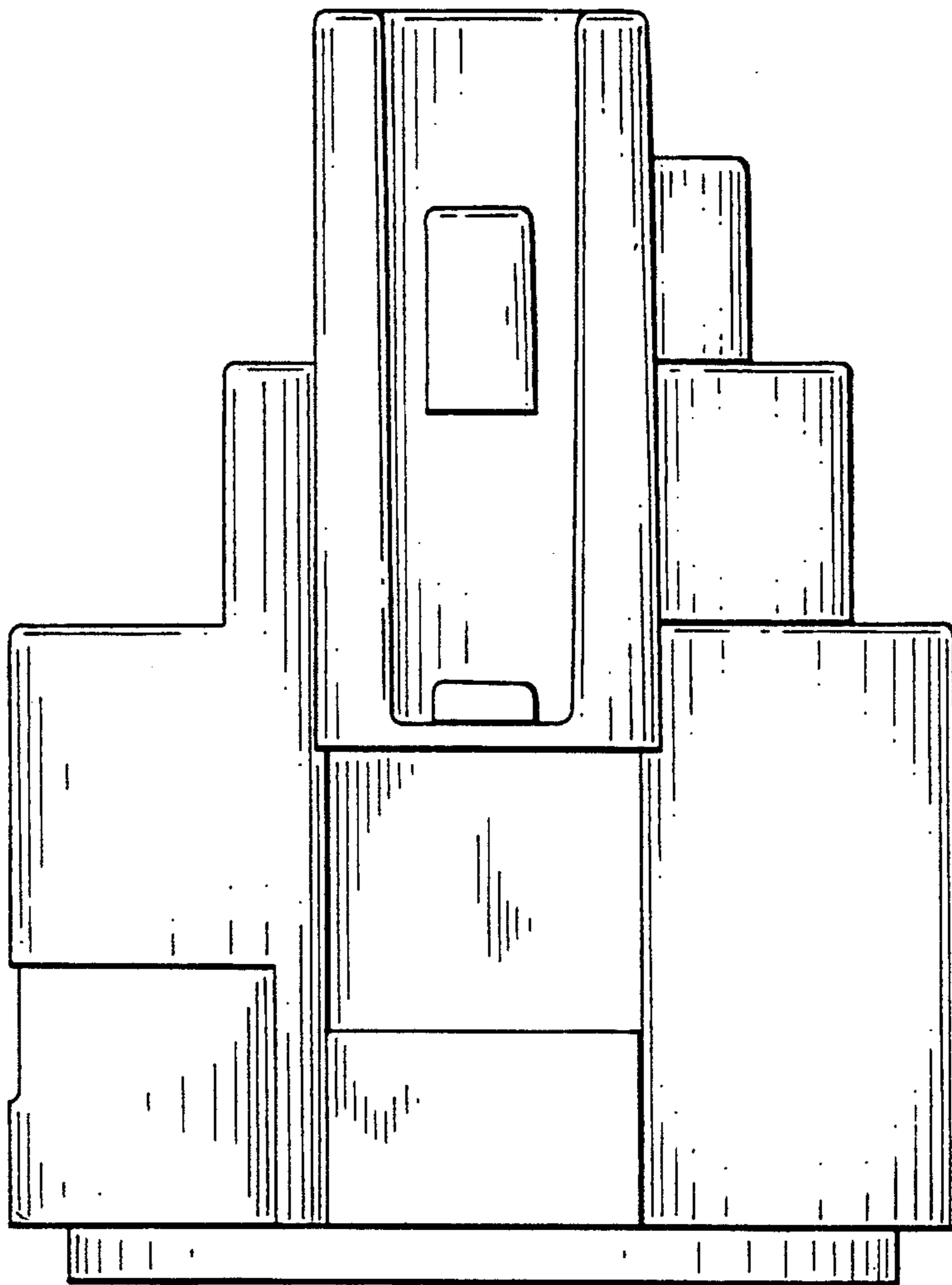


FIG. 7

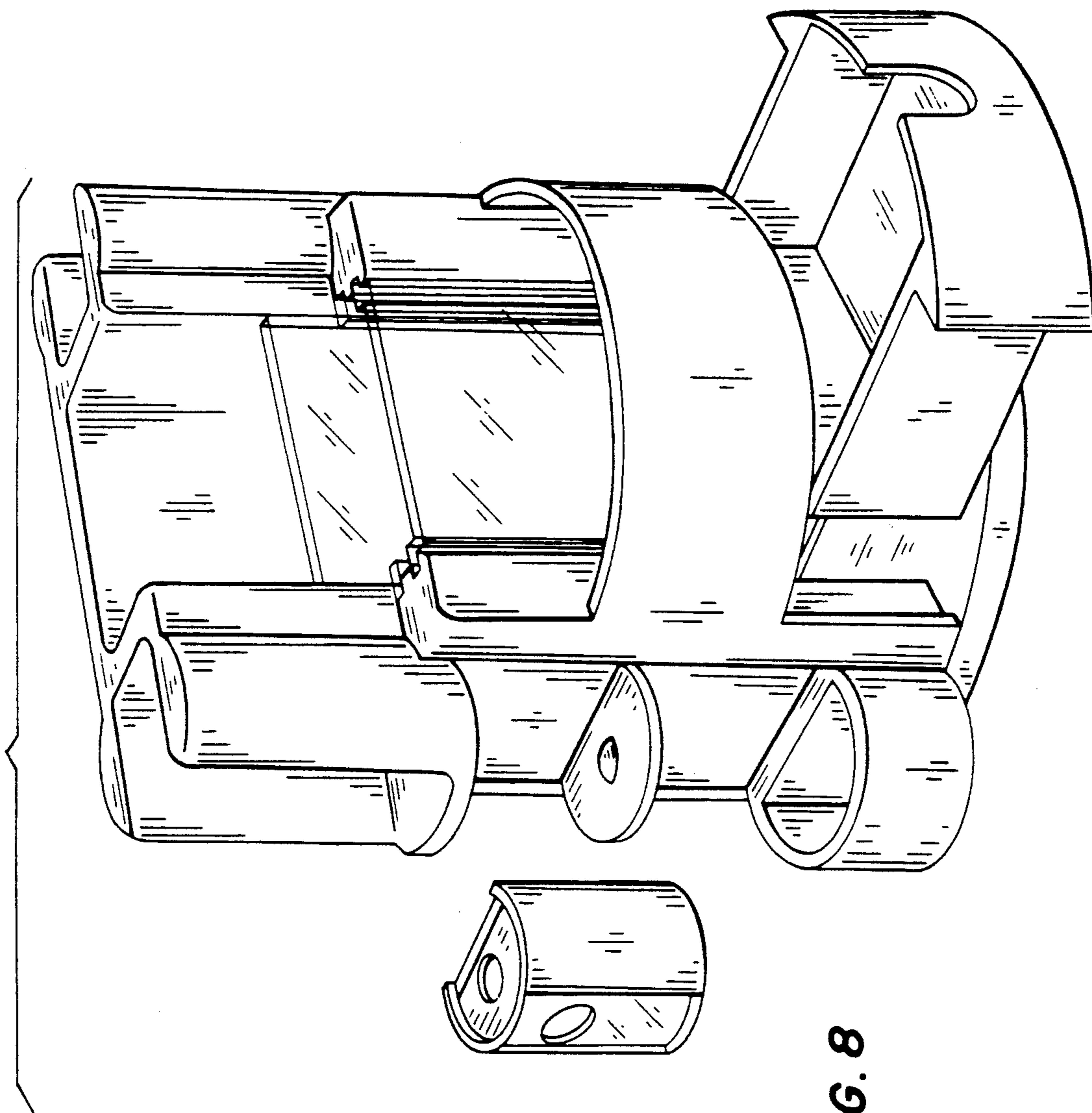


FIG. 8

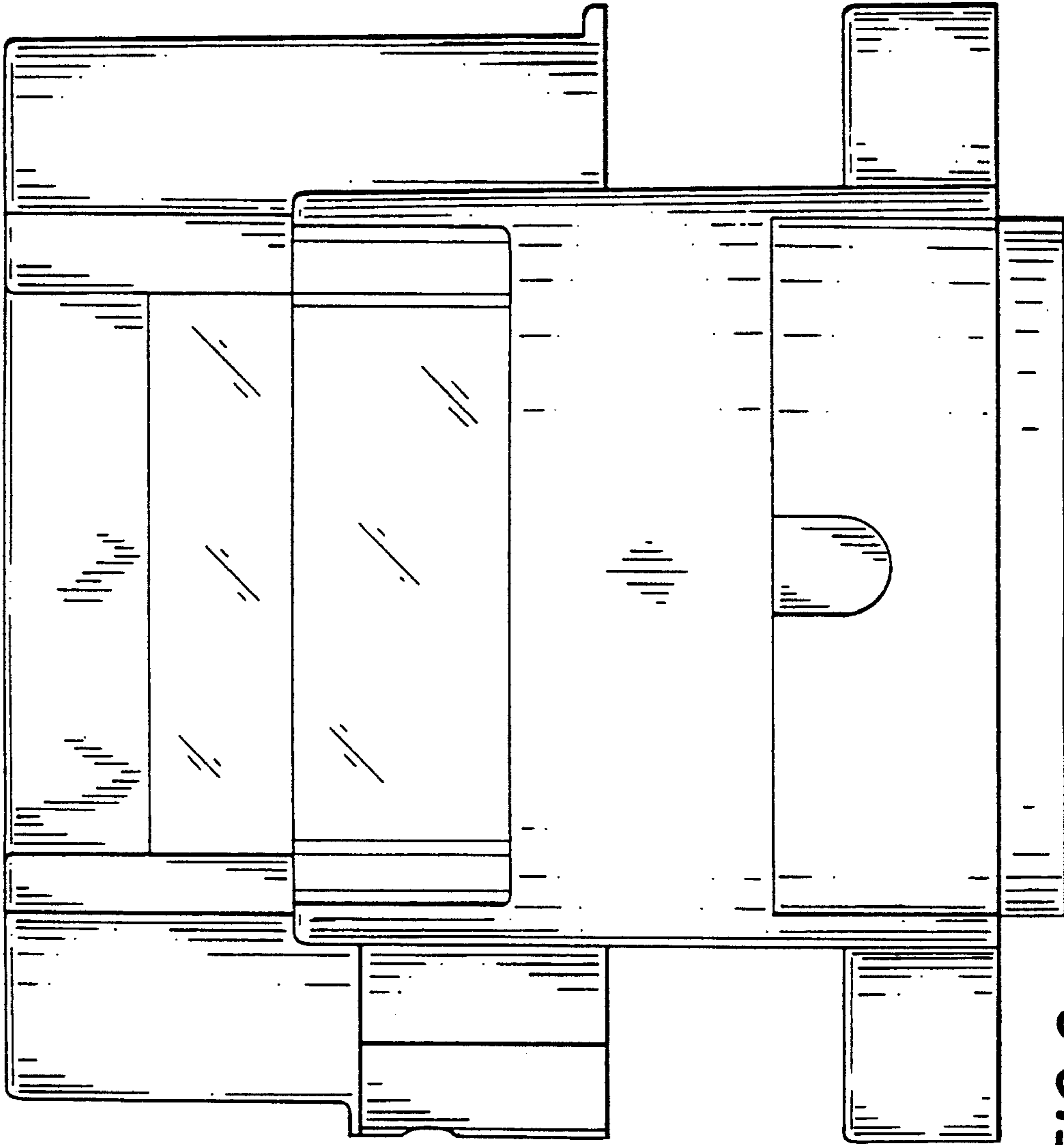


FIG. 9

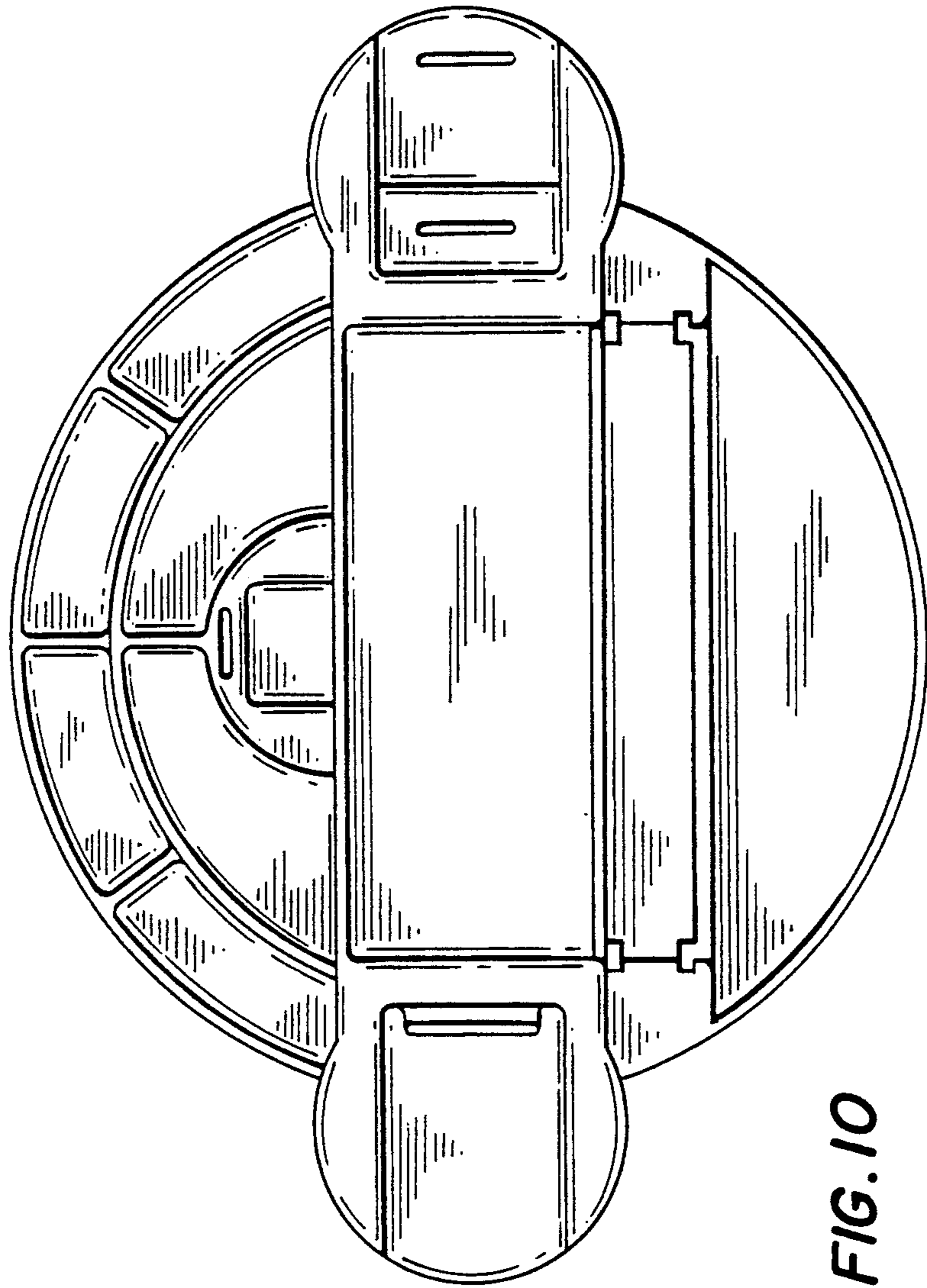


FIG. 10