



US00D342092S

United States Patent [19]

Samuelson et al.

[11] Patent Number: **Des. 342,092**

[45] Date of Patent: **** Dec. 7, 1993**

[54] **TAPE DISPENSER**

[75] Inventors: **Bruce E. Samuelson**, Stillwater;
David J. Martin, Andover, both of
Minn.

[73] Assignee: **Minnesota Mining and
Manufacturing**, St. Paul, Minn.

[*] Notice: The portion of the term of this patent
subsequent to Jun. 15, 2007 has been
disclaimed.

[**] Term: **14 Years**

[21] Appl. No.: **827,969**

[22] Filed: **Jan. 29, 1992**

[52] U.S. Cl. **D19/69; D19/67**

[58] Field of Search **D19/65, 67, 68, 69,
D19/75, 99, 100; 225/6, 7, 19, 34, 35, 36, 45-47,
56, 65, 77, 89; 156/523, 527; 312/38, 39**

[56] **References Cited**

U.S. PATENT DOCUMENTS

D. 144,215	3/1946	Preble, Jr. .	
D. 164,556	9/1951	Donkin	D19/69
D. 170,429	9/1953	Reinecke .	
D. 177,224	3/1956	Gershen	D19/69
D. 188,636	8/1960	Ballato	D19/69
D. 227,175	6/1973	Finkel	D19/69
D. 242,452	11/1976	Brown, Sr.	D19/69
D. 315,576	3/1991	En	D19/69

D. 331,262	11/1992	O'Brien	D19/69
2,693,918	11/1954	Bretson et al. .	
3,086,309	4/1963	Katz .	
4,627,560	12/1986	Samuelson .	
4,729,518	3/1988	Mathna et al. .	
5,083,717	1/1992	Samuelson et al. .	

OTHER PUBLICATIONS

FIGS. 1 through 6. Photographs of Prototype dated
more than one year prior to the filing of the instant case.
FIGS. A and B. Photographs of correction tape dis-
pensers dated more than one year prior to the filing of
the instant case.

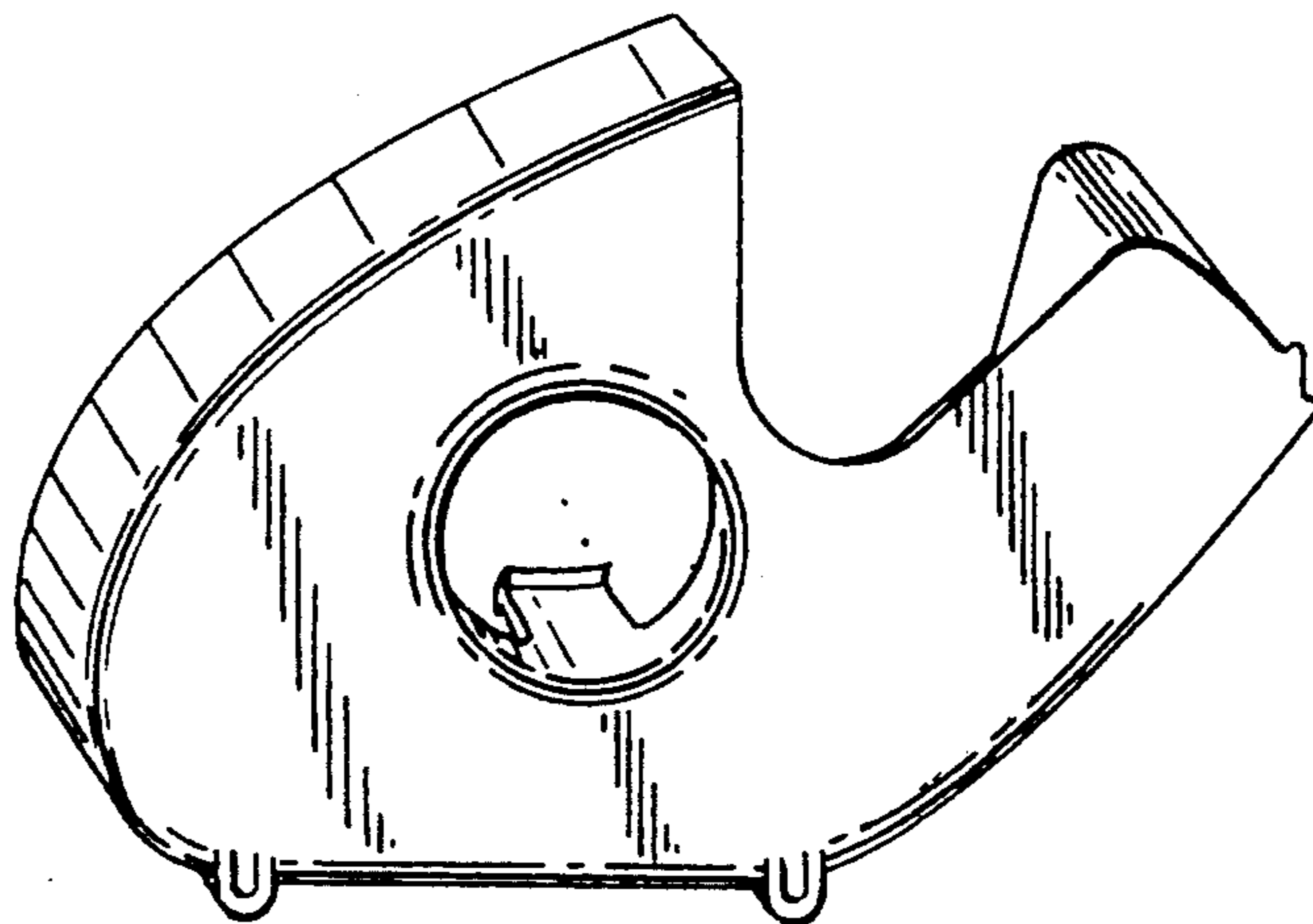
Primary Examiner—Nelson C. Holtje
Assistant Examiner—Martha Thompson
Attorney, Agent, or Firm—Gary L. Griswold; Walter N.
Kirn; Jeffrey J. Hohenshell

[57] **CLAIM**

The ornamental design for a tape dispenser, as shown
and described.

DESCRIPTION

FIG. 1 is a perspective view of a tape dispenser, show-
ing our new design;
FIG. 2 is a right side elevational view thereof;
FIG. 3 is a left side elevational view thereof;
FIG. 4 is a top plan view thereof;
FIG. 5 is a front elevational view thereof;
FIG. 6 is a bottom plan view thereof; and,
FIG. 7 is a rear elevational view thereof.



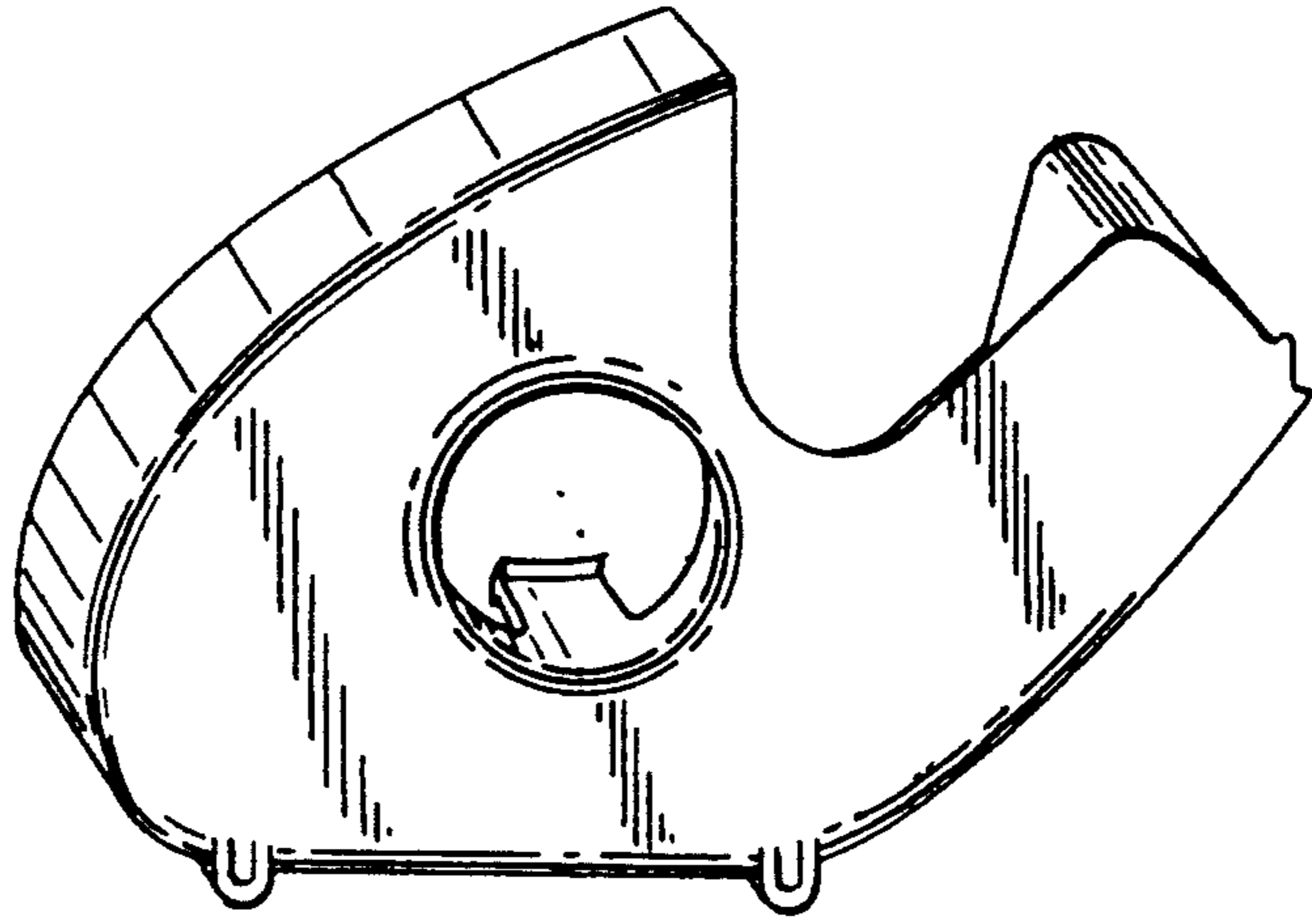


FIG. 1

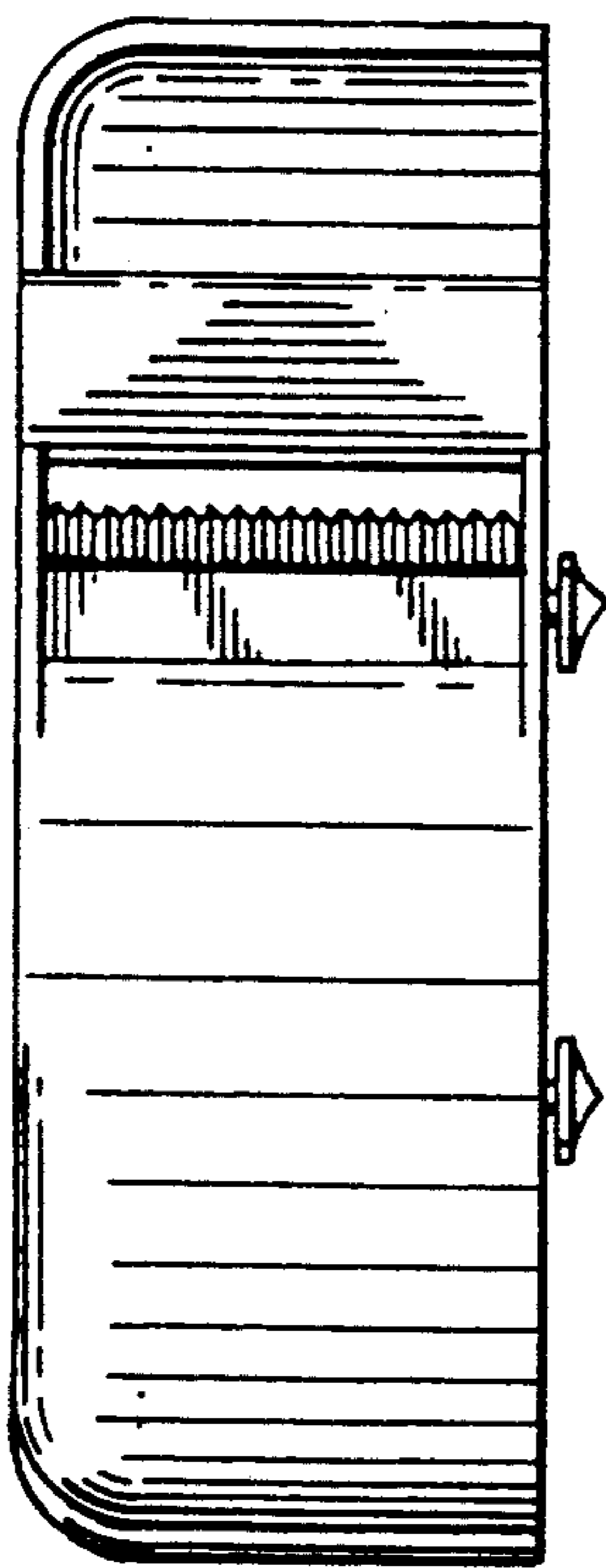


FIG. 2

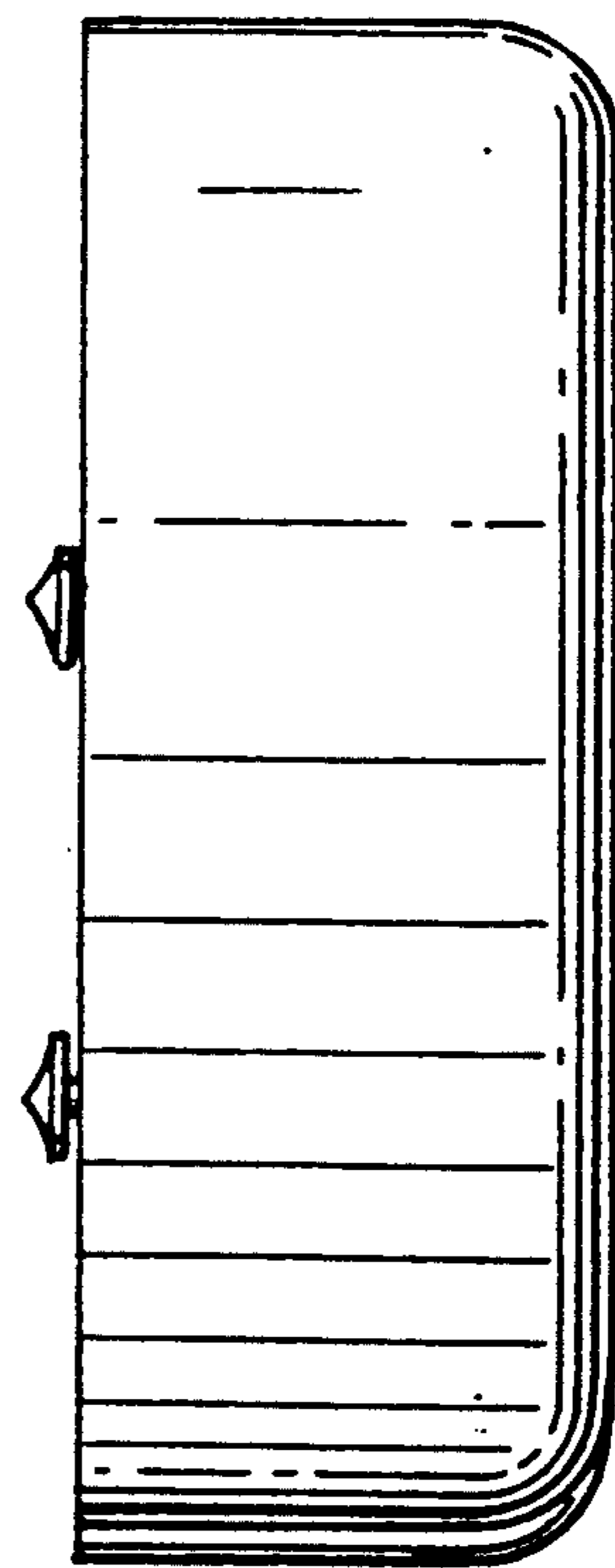


FIG. 3

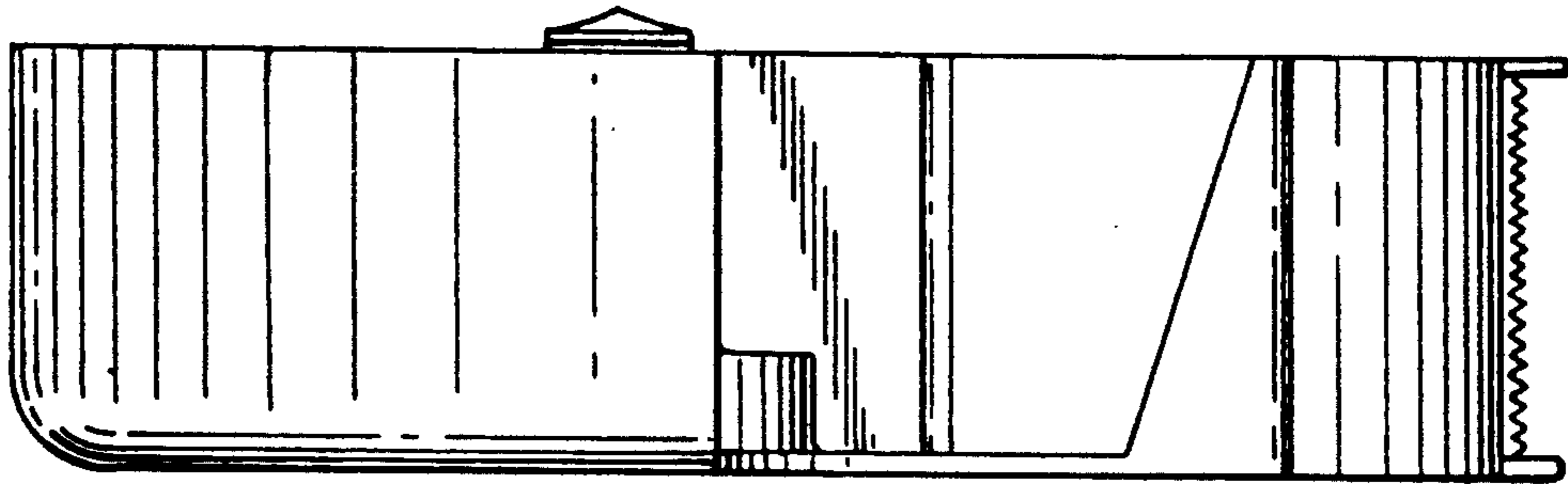
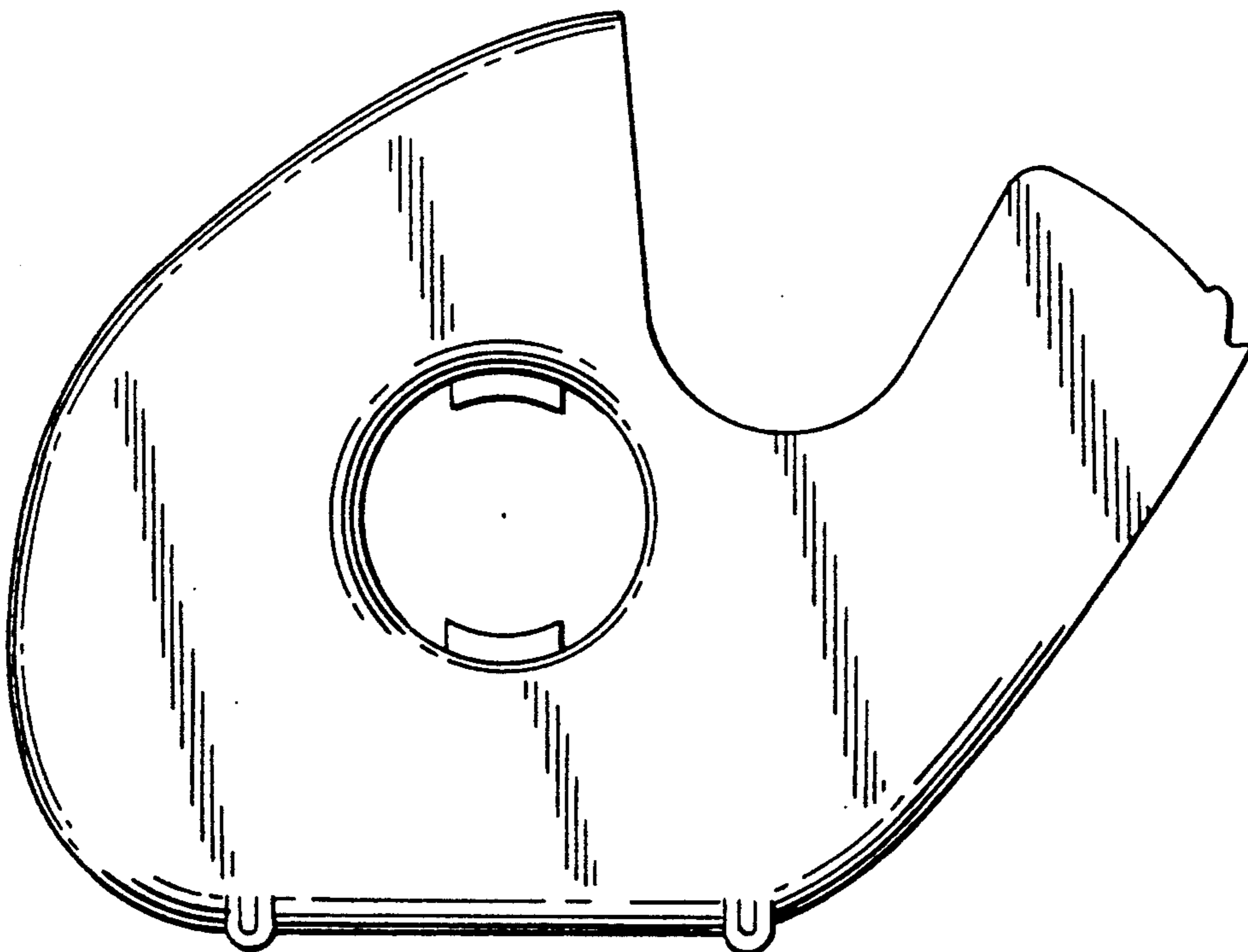


FIG. 4

FIG. 5



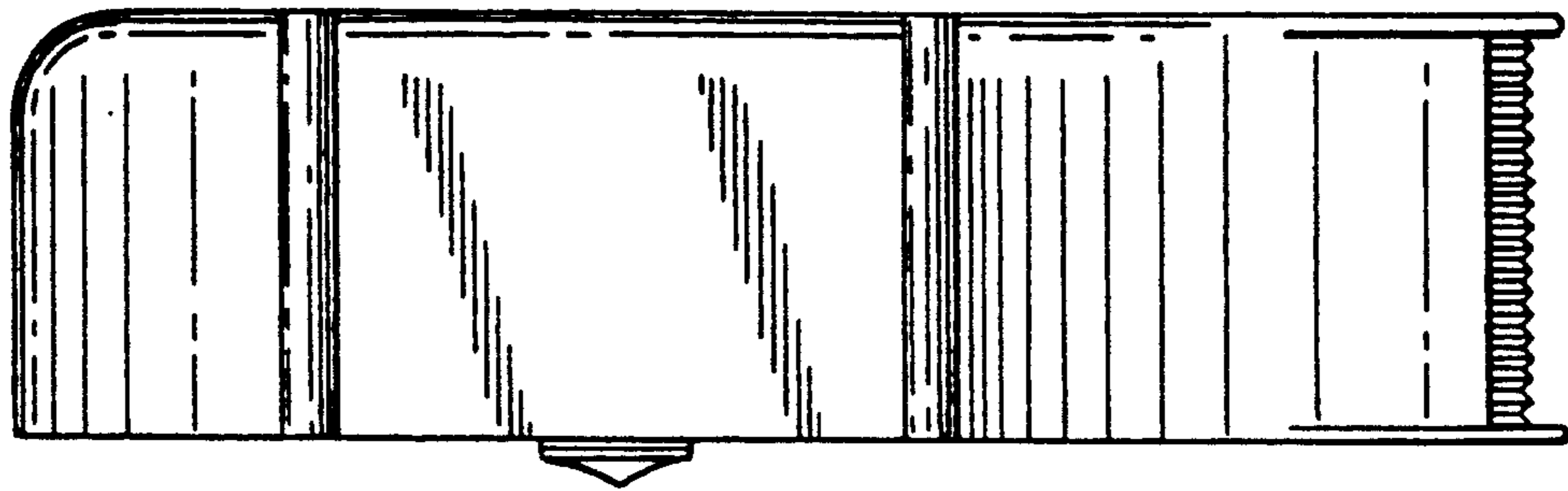


FIG. 6

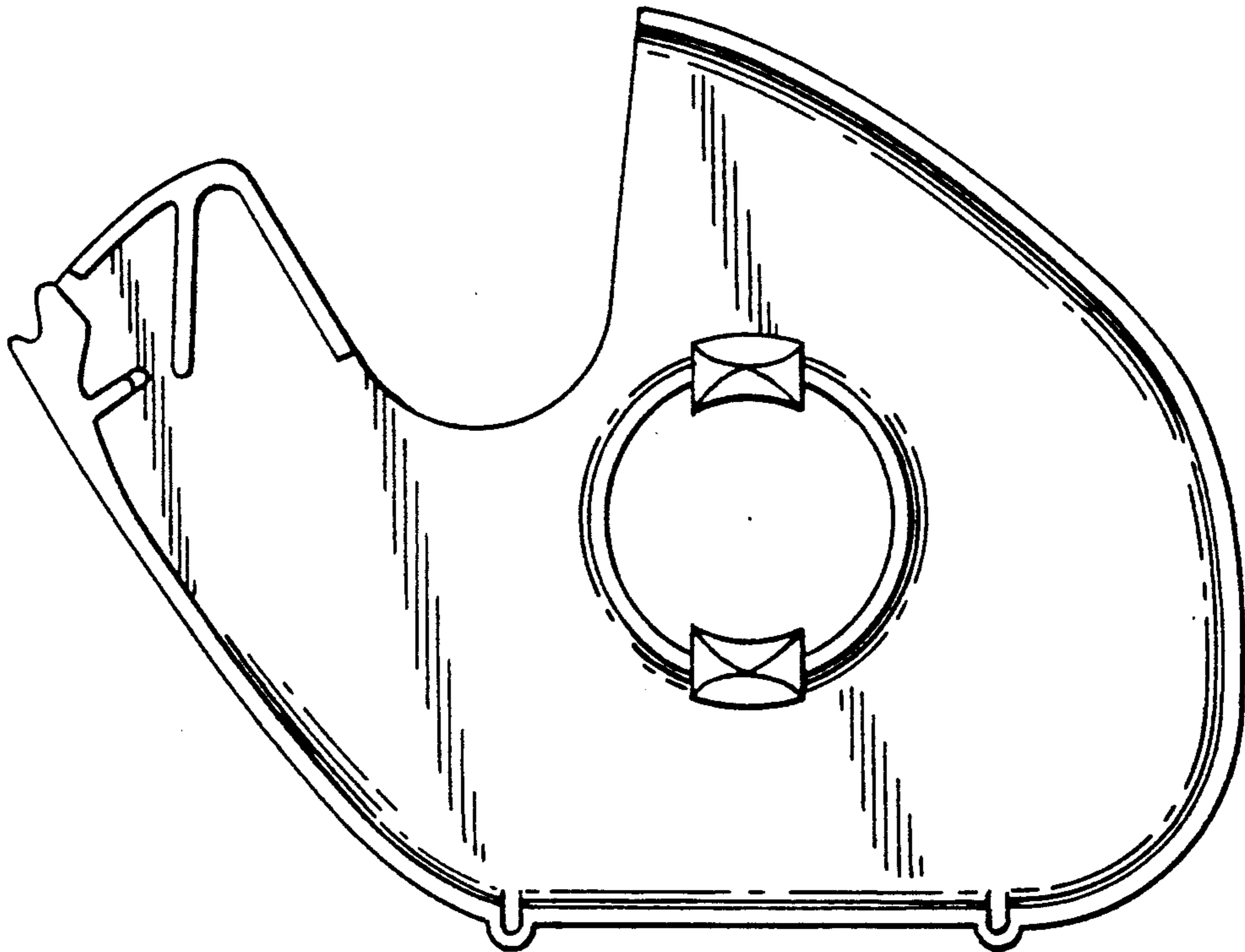


FIG. 7