



US00D342090S

United States Patent [19]

Anavil et al.

[11] Patent Number: **Des. 342,090**

[45] Date of Patent: **** Dec. 7, 1993**

[54] **WRITING INSTRUMENT**

[75] Inventors: **Por Anavil; Julian M. H. Deeley,**
both of Bangkok, Thailand

[73] Assignee: **D.T.C. Industries Limited, Bangkok,**
Thailand

[**] Term: **14 Years**

[21] Appl. No.: **803,390**

[22] Filed: **Dec. 4, 1991**

[52] U.S. Cl. **D19/49; D19/56**

[58] Field of Search **D19/35, 36, 41-51,**
D19/54-58, 81-85; 401/29-35, 99, 100, 103,
104, 209

[56] **References Cited**

U.S. PATENT DOCUMENTS

- D. 144,459 4/1946 Iwanowicz D19/42
- D. 161,826 2/1951 Ferber D19/49

- D. 201,063 5/1965 Kahn et al. D19/45 X
- D. 304,601 11/1989 Alskog D19/49
- D. 312,478 11/1990 Lecce D19/48
- D. 324,069 2/1992 Katami D19/56 X

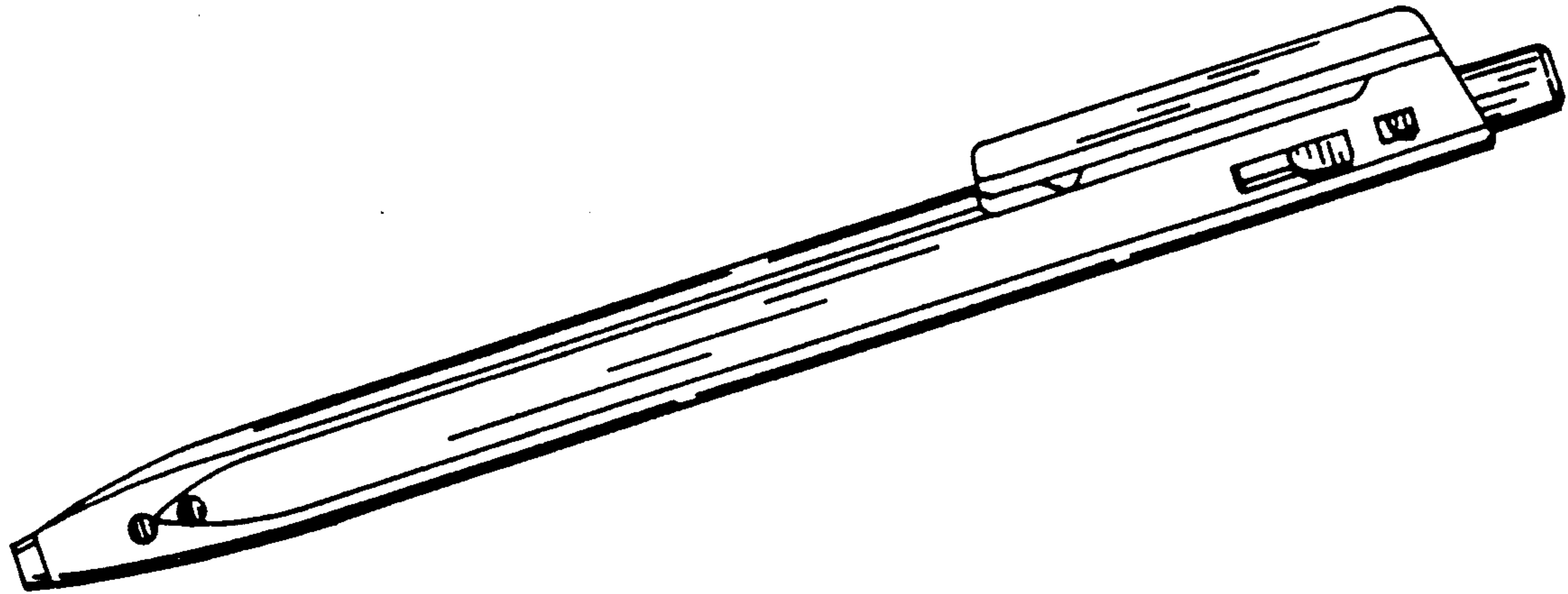
Primary Examiner—Nelson C. Holtje
Assistant Examiner—Martha Thompson
Attorney, Agent, or Firm—Hawes & Fischer

[57] **CLAIM**

The ornamental design for a writing instrument, as shown as described.

DESCRIPTION

FIG. 1 is a right front perspective view of a writing instrument showing our new design; FIG. 2 is a right side elevational view; FIG. 3 is a left side elevational view; FIG. 4 is a front elevational view; FIG. 5 is a rear elevational view; FIG. 6 is a top plan view; and, FIG. 7 is a bottom plan view thereof.



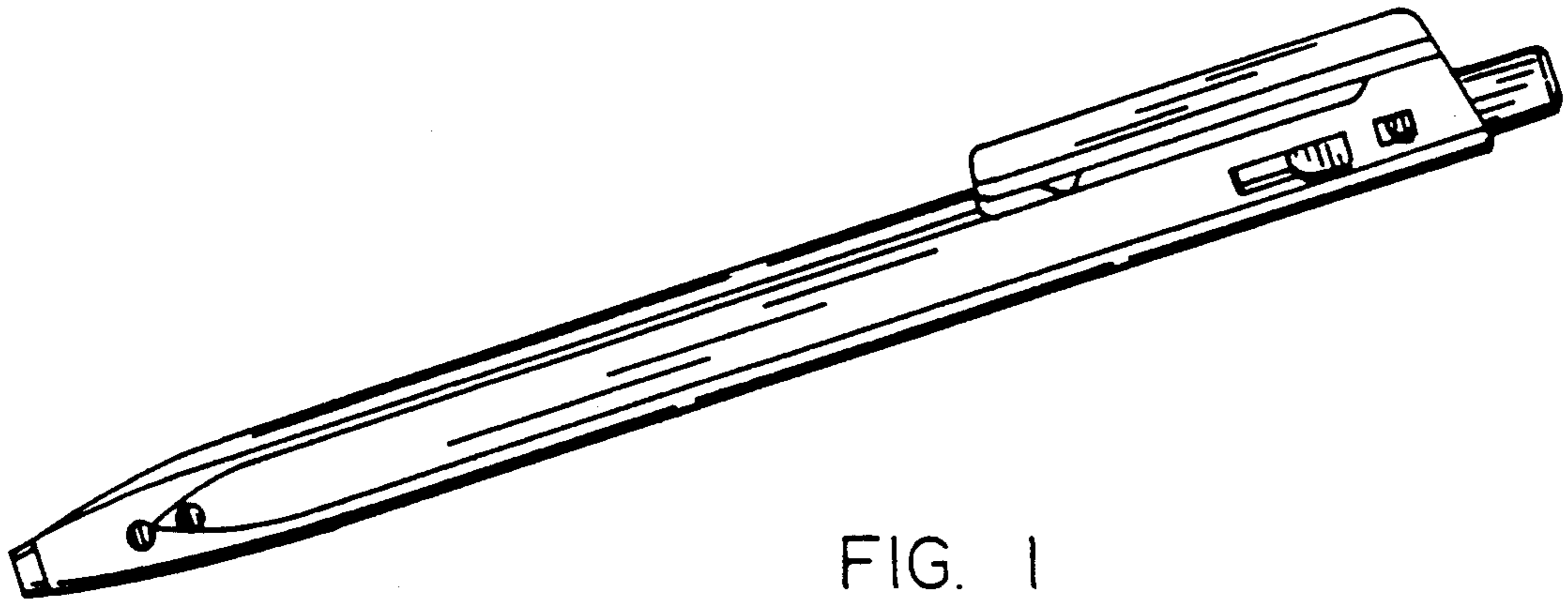


FIG. 1

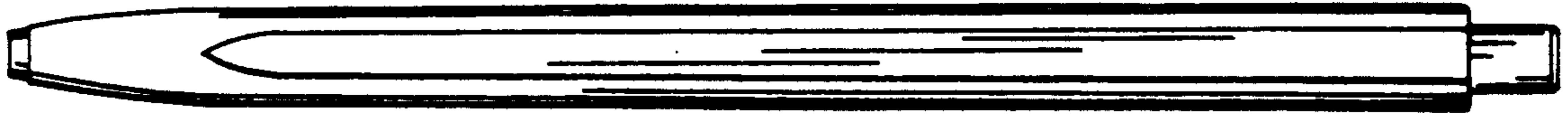


FIG. 2



FIG. 3

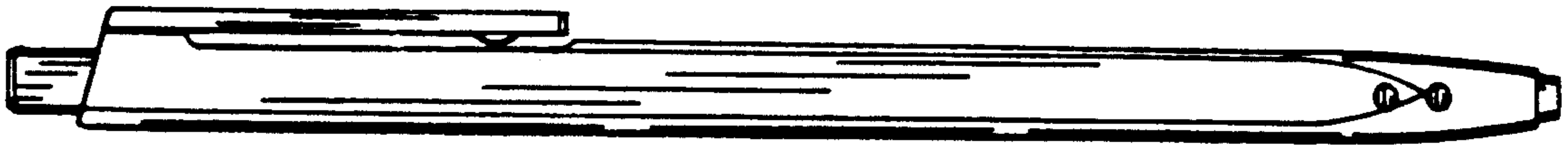


FIG. 4

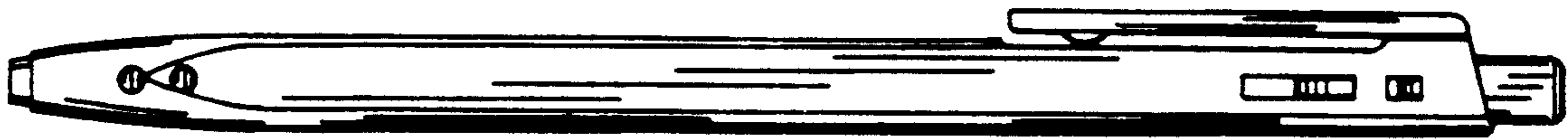


FIG. 5

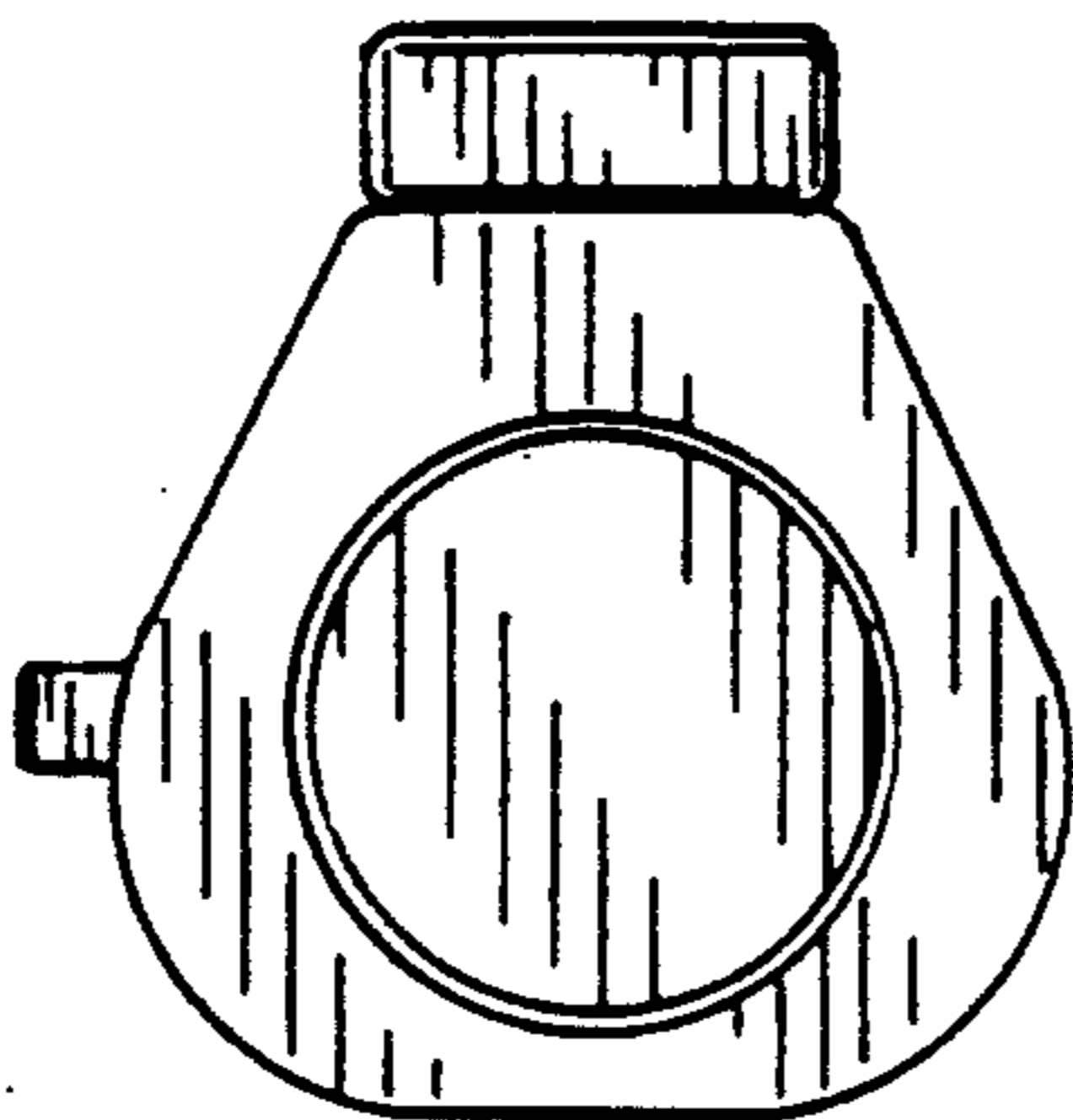


FIG. 6

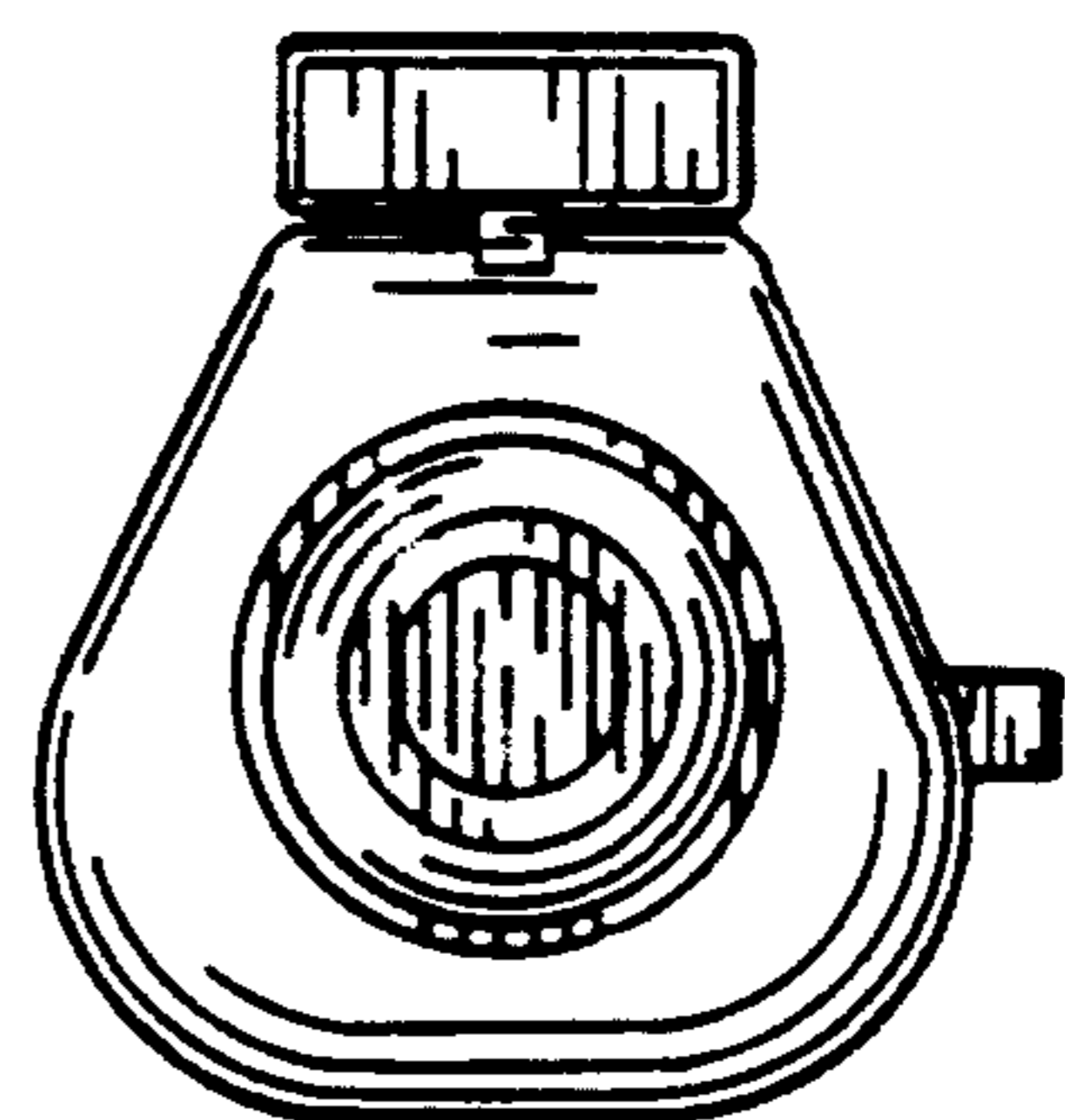


FIG. 7