



US00D342086S

# United States Patent [19]

[11] Patent Number: **Des. 342,086**

Jaeb et al.

[45] Date of Patent: **\*\* Dec. 7, 1993**

## [54] KEYBOARD HOUSING

[75] Inventors: **Michael S. Jaeb**, Wakefield; **Scott Stropkay**, Salem, both of Mass.

[73] Assignee: **Leading Technology, Inc.**, Beaverton, Oreg.

[\*\*] Term: **14 Years**

[21] Appl. No.: **672,618**

[22] Filed: **Mar. 20, 1991**

[52] U.S. Cl. .... **D17/1; D17/5**

[58] Field of Search ..... **D17/1, 2, 5, 6, 7, 9; D21/64; 84/174-177, 423, 428, 644, 670, 719, 744, DIG. 3, DIG. 7, DIG. 17, DIG. 30**

## [56] References Cited

### U.S. PATENT DOCUMENTS

D. 258,899	4/1981	Hayama et al. ....	D21/64
D. 260,097	8/1981	Antonelli .....	D17/7
D. 313,034	12/1990	Koide .....	D17/5
D. 313,035	12/1990	Katsuhara .....	D17/5
D. 316,722	5/1991	Lerch .....	D17/9

## FOREIGN PATENT DOCUMENTS

2108748 5/1983 United Kingdom ..... 84/423 R

## OTHER PUBLICATIONS

The Music Trades, Jan. 1988 p. 18 (Korg 707).  
The Music Trades, Sep. 1988 p. 17 (Roland Tr-626).

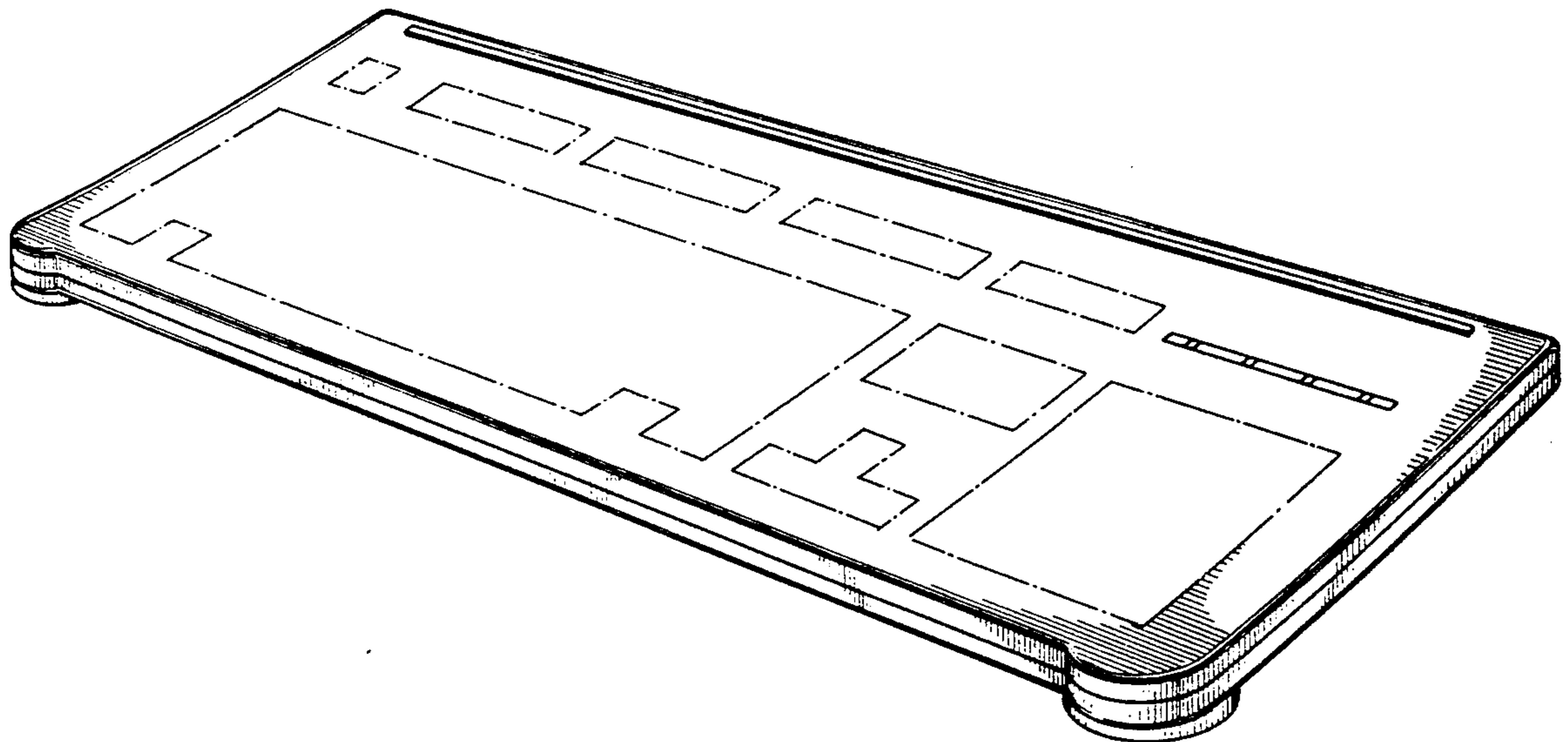
*Primary Examiner*—Melvin B. Feifer  
*Assistant Examiner*—Adir Aronovich  
*Attorney, Agent, or Firm*—Dick and Harris

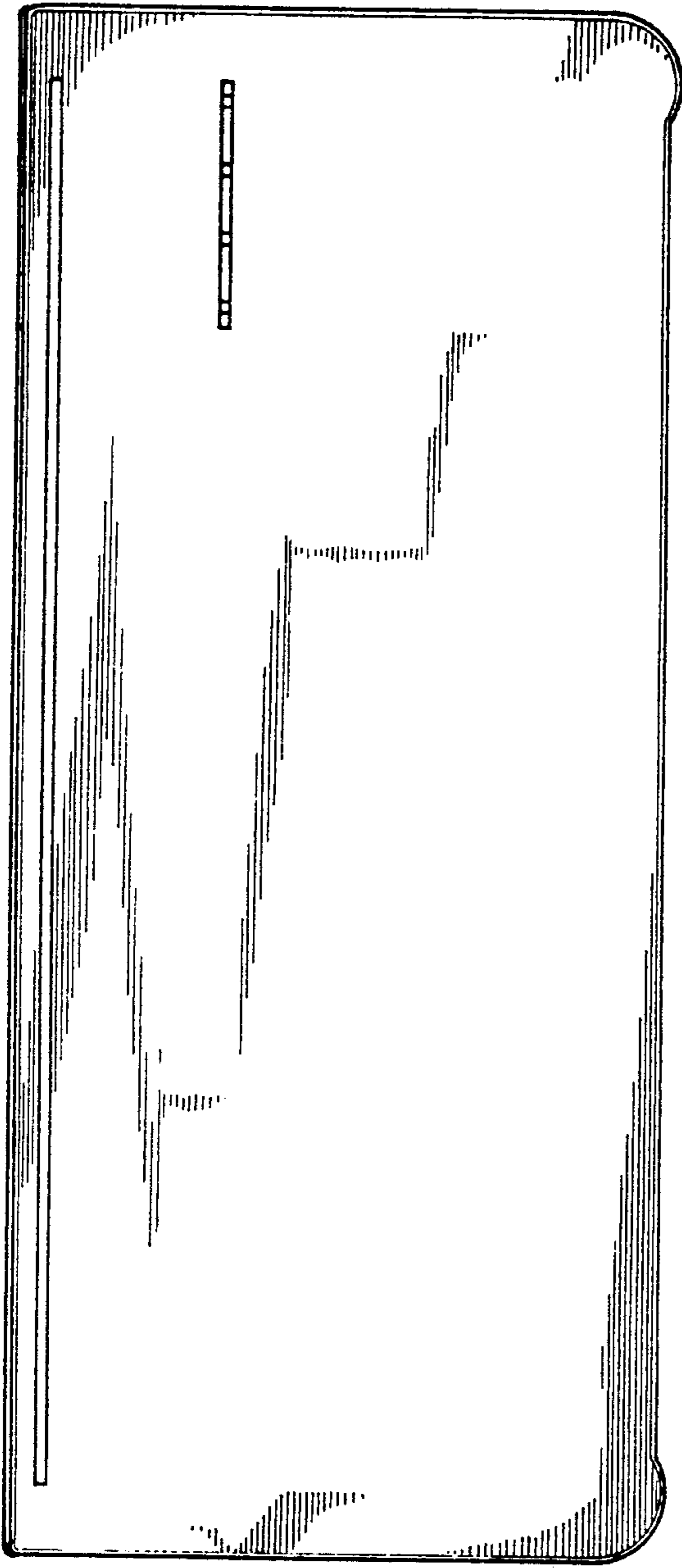
## [57] CLAIM

The ornamental design for a keyboard housing, as shown and described.

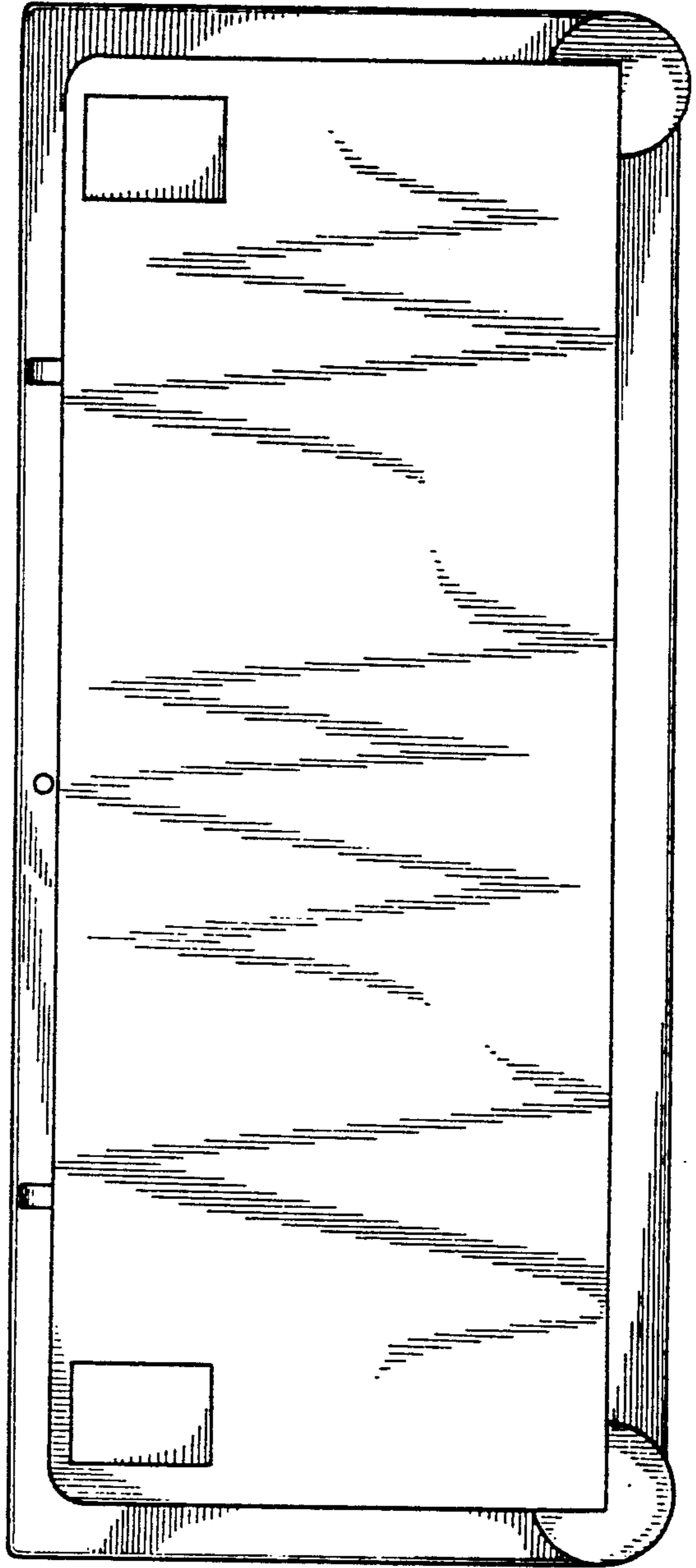
## DESCRIPTION

FIG. 1 is top plan view of a keyboard housing, showing our design;  
FIG. 2 is a bottom plan view thereof;  
FIG. 3 is a front elevation thereof;  
FIG. 4 is a rear elevation thereof;  
FIG. 5 is a left side elevation thereof;  
FIG. 6 is a right side elevation thereof; and,  
FIG. 7 is a perspective view thereof.  
The broken lines of FIG. 7 are for illustrative purposes only and form no part of the claimed design.





*Fig 1*



*Fig 2*

FIG 3



FIG 4

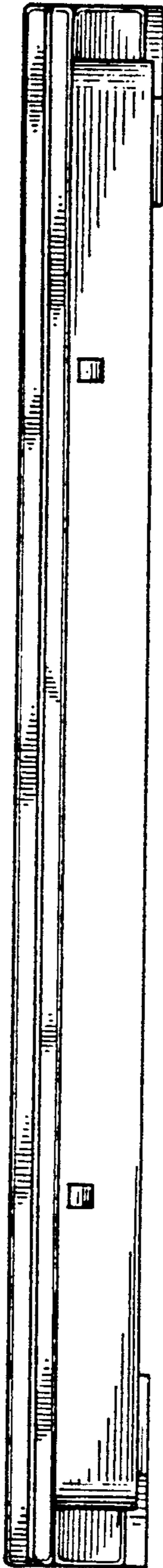


FIG 6

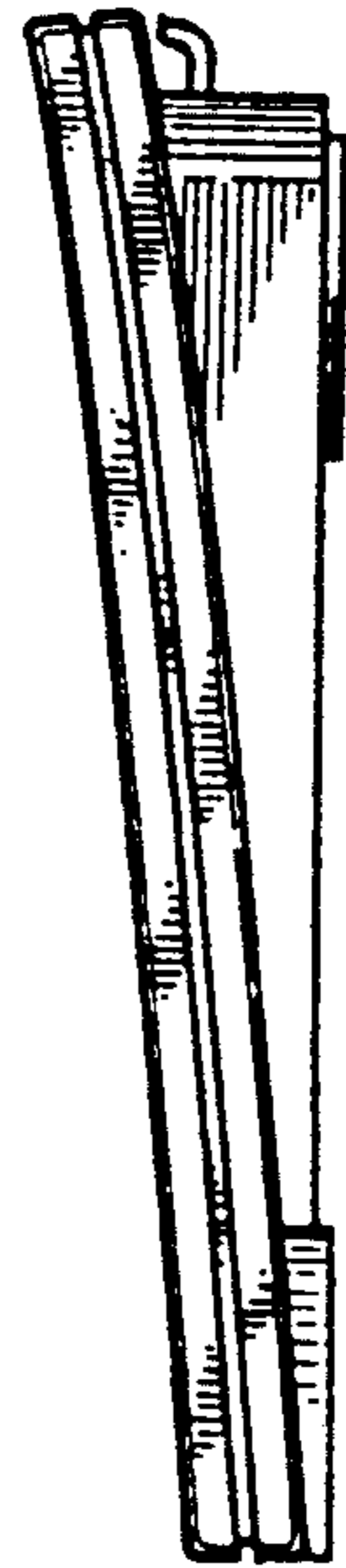


FIG 5



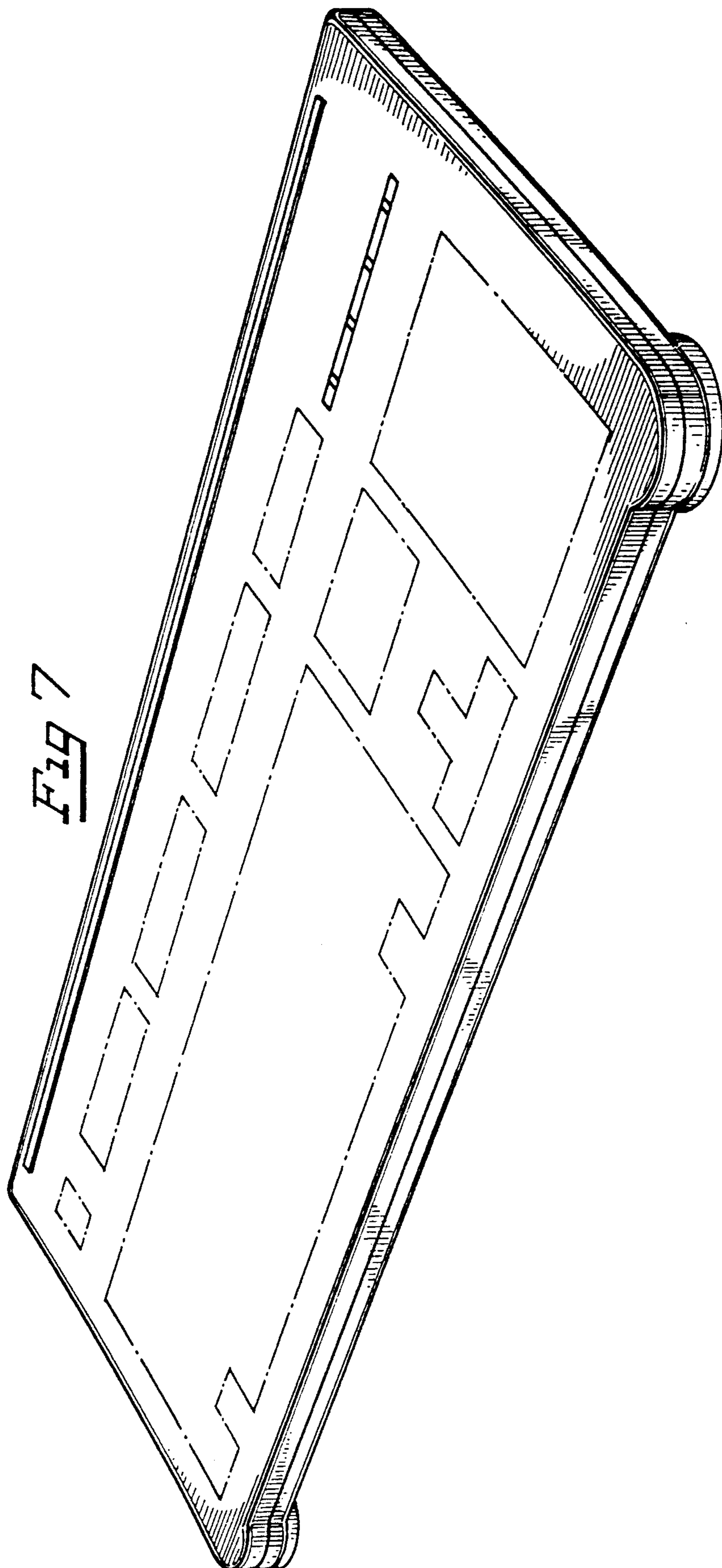


FIG 7