



US00D342084S

United States Patent [19]

Ishikawa

[11] Patent Number: **Des. 342,084**

[45] Date of Patent: **** Dec. 7, 1993**

[54] **VIDEO CAMERA WITH VIDEO TAPE RECORDER**

[75] Inventor: **Yoshifumi Ishikawa**, Yokohama, Japan

[73] Assignee: **Canon Kabushiki Kaisha**, Tokyo, Japan

[**] Term: **14 Years**

[21] Appl. No.: **948,849**

[22] Filed: **Sep. 16, 1992**

[30] **Foreign Application Priority Data**

Mar. 24, 1992 [JP] Japan 4-8237

[52] U.S. Cl. **D16/202**

[58] Field of Search D16/200-205,
D16/208, 213; 352/34, 242, 243; 354/82, 288;
358/229, 906

[56] **References Cited**

U.S. PATENT DOCUMENTS

- D. 289,645 5/1987 Kondo D16/202
- D. 304,201 10/1989 Niitsu D16/202
- D. 305,240 12/1989 Kondoh D16/202
- D. 312,090 11/1990 Matsuoka et al. D16/213
- D. 316,419 4/1991 Matsumura D16/202
- D. 316,420 4/1991 Tanaka D16/202
- D. 322,266 12/1991 Ichiyeshi D16/202
- D. 322,267 12/1991 Matsumura D16/202

- D. 322,448 12/1991 Kondo D16/202
- D. 327,698 7/1992 Masuda D16/202
- D. 331,767 12/1992 Yoshida D16/202
- D. 331,935 12/1992 Tanaka D16/202
- D. 331,936 12/1992 Ishikawa D16/202
- D. 332,108 12/1992 Kondo D16/202
- D. 332,958 2/1993 Urushihara et al. D16/202
- D. 335,500 5/1993 Mori et al. D16/202
- 4,772,902 9/1988 Inoue et al. 358/229

OTHER PUBLICATIONS

Popular Photography, Jan. 1988, p. 64 (TVC GR-C9 Camcorder).

Primary Examiner—Melvin B. Feifer
Assistant Examiner—Adir Aronovich
Attorney, Agent, or Firm—Fitzpatrick, Cella, Harper & Scinto

[57] **CLAIM**

The ornamental design for a video camera with video tape recorder, as shown and described.

DESCRIPTION

FIG. 1 is a front elevational view of a video camera with video tape recorder showing my new design; FIG. 2 is a rear elevational view thereof; FIG. 3 is a right side elevational view thereof; FIG. 4 is a top plan view thereof; FIG. 5 is a bottom plan view thereof; FIG. 6 is a left side elevational view thereof; and, FIG. 7 is a perspective view thereof.

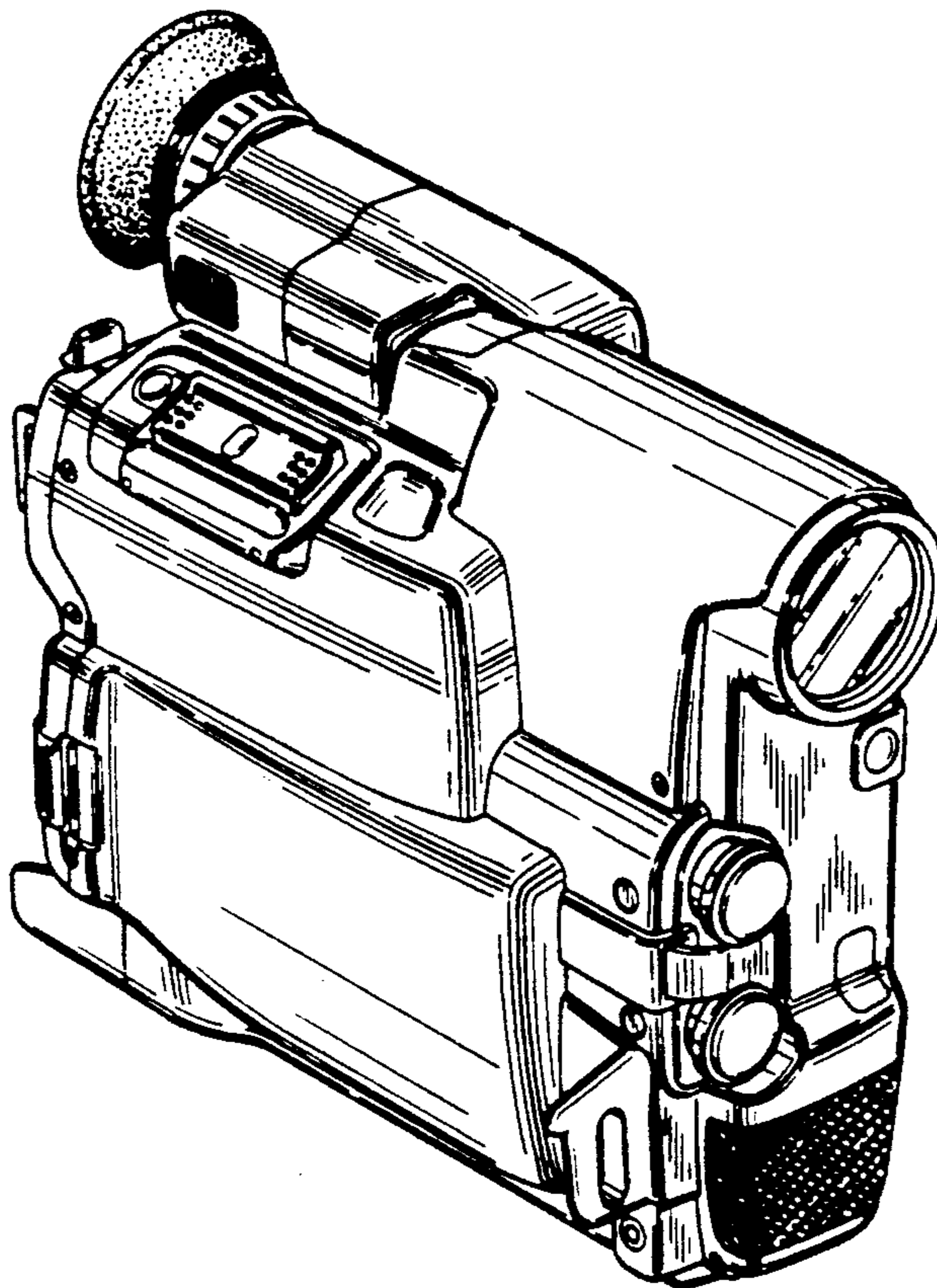


FIG. 1

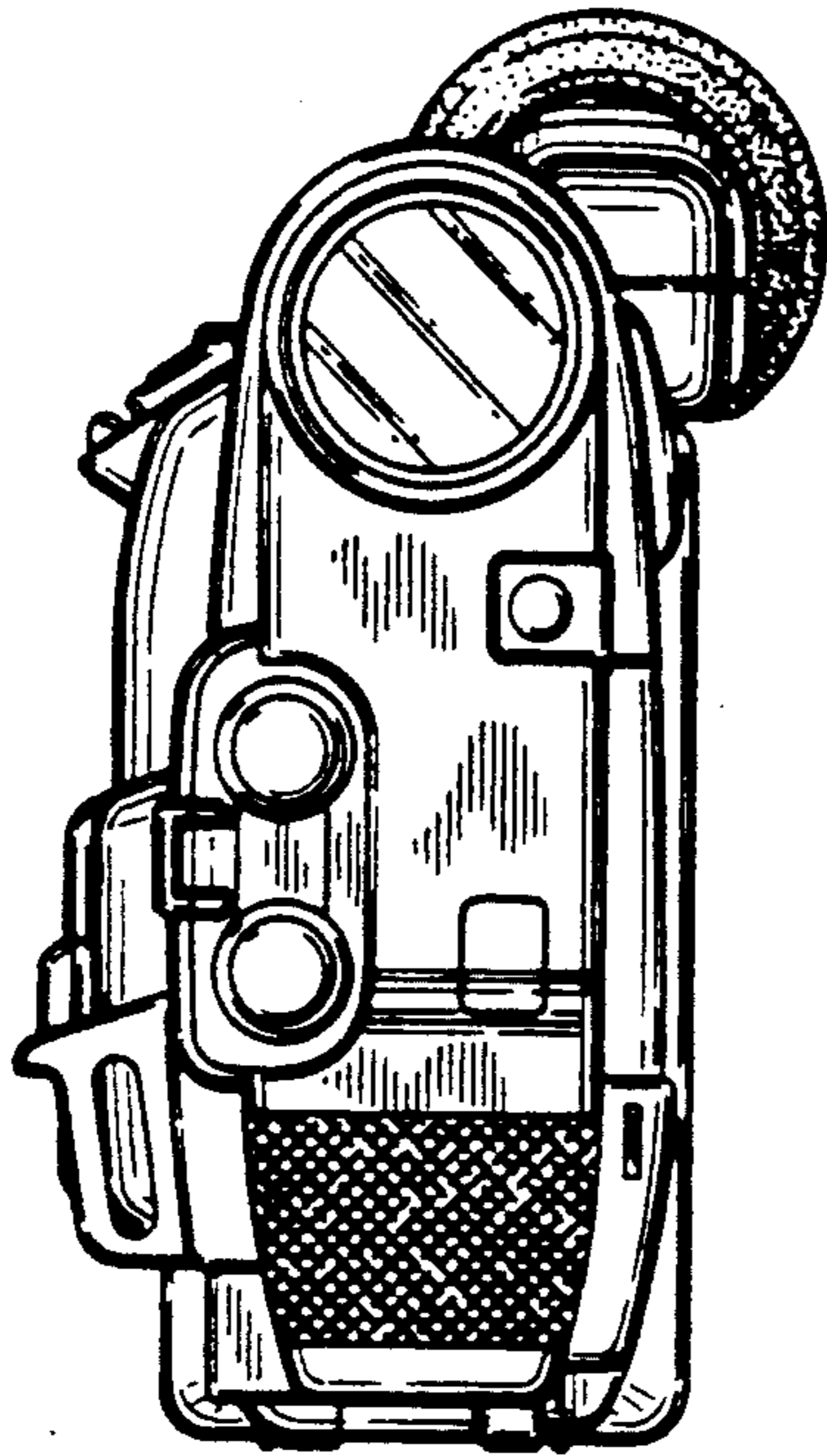


FIG. 2

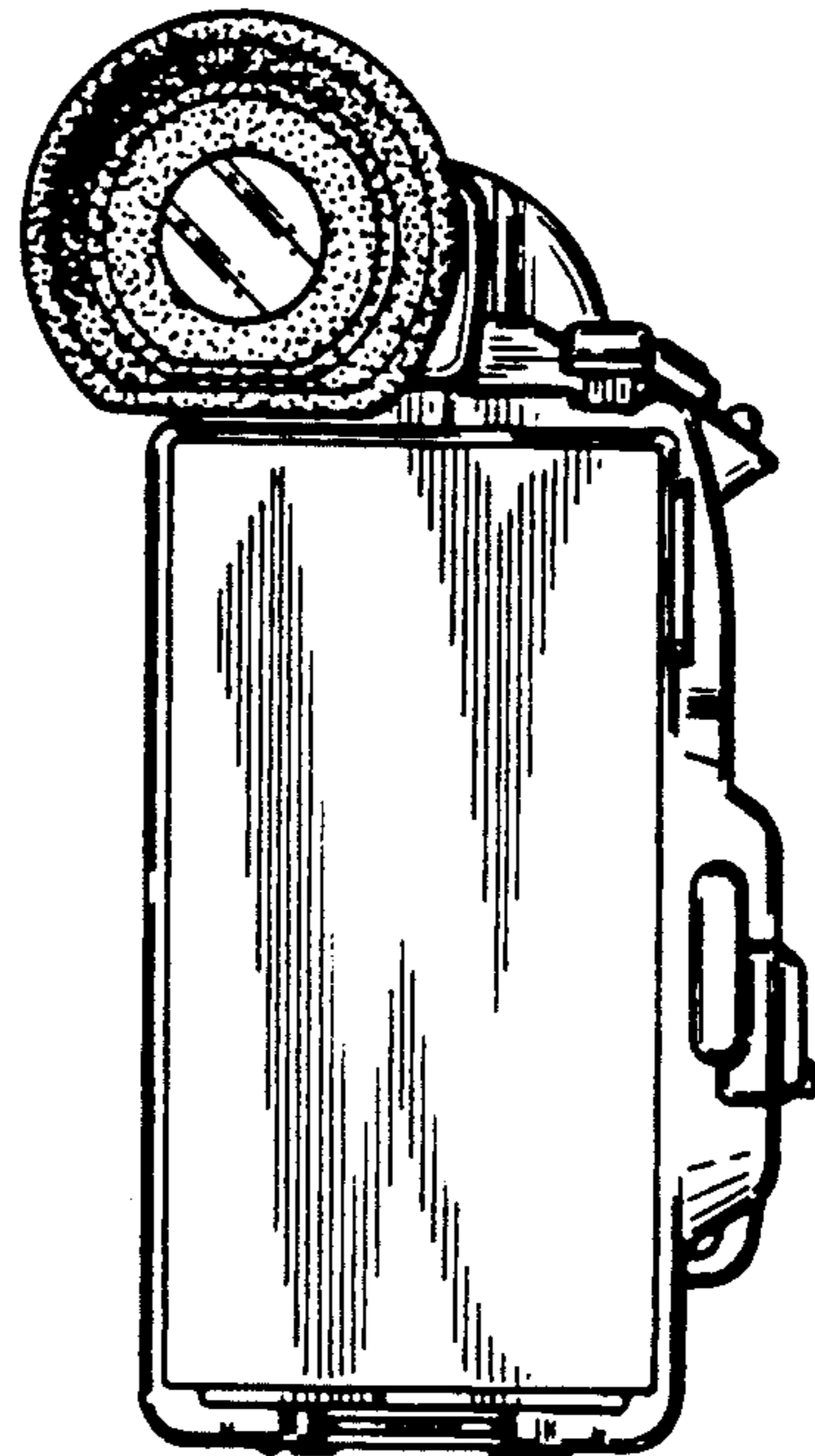


FIG. 3

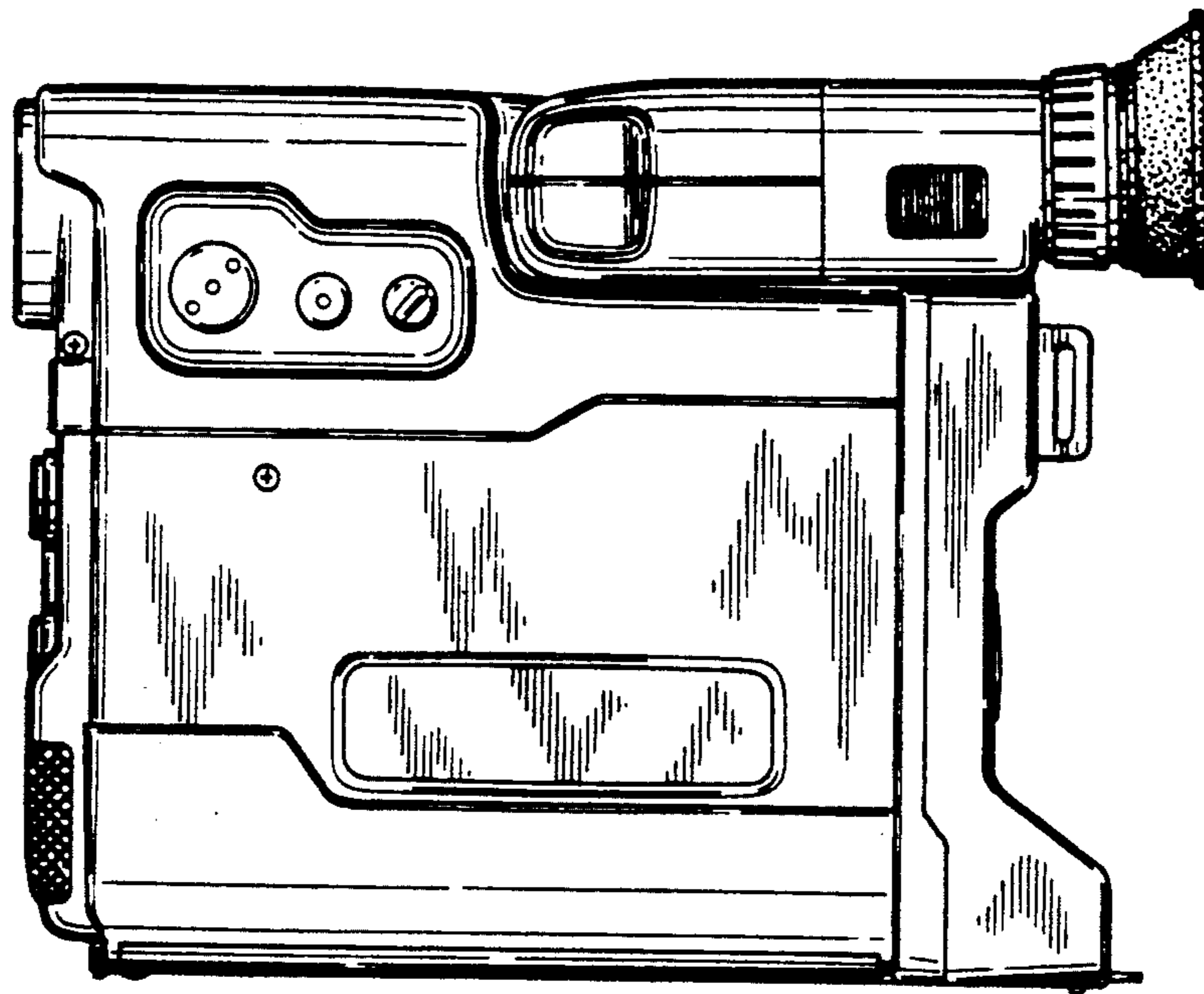


FIG. 4

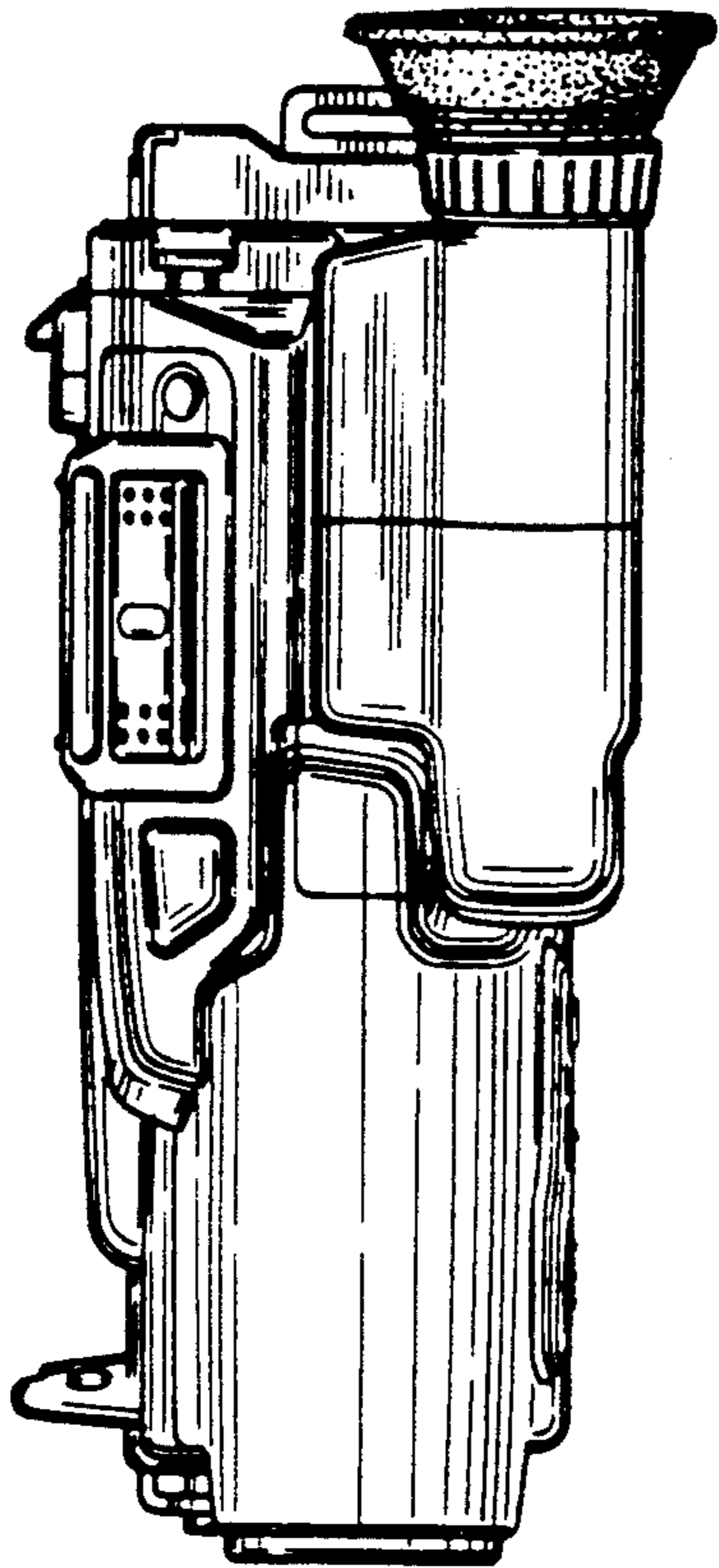


FIG. 5

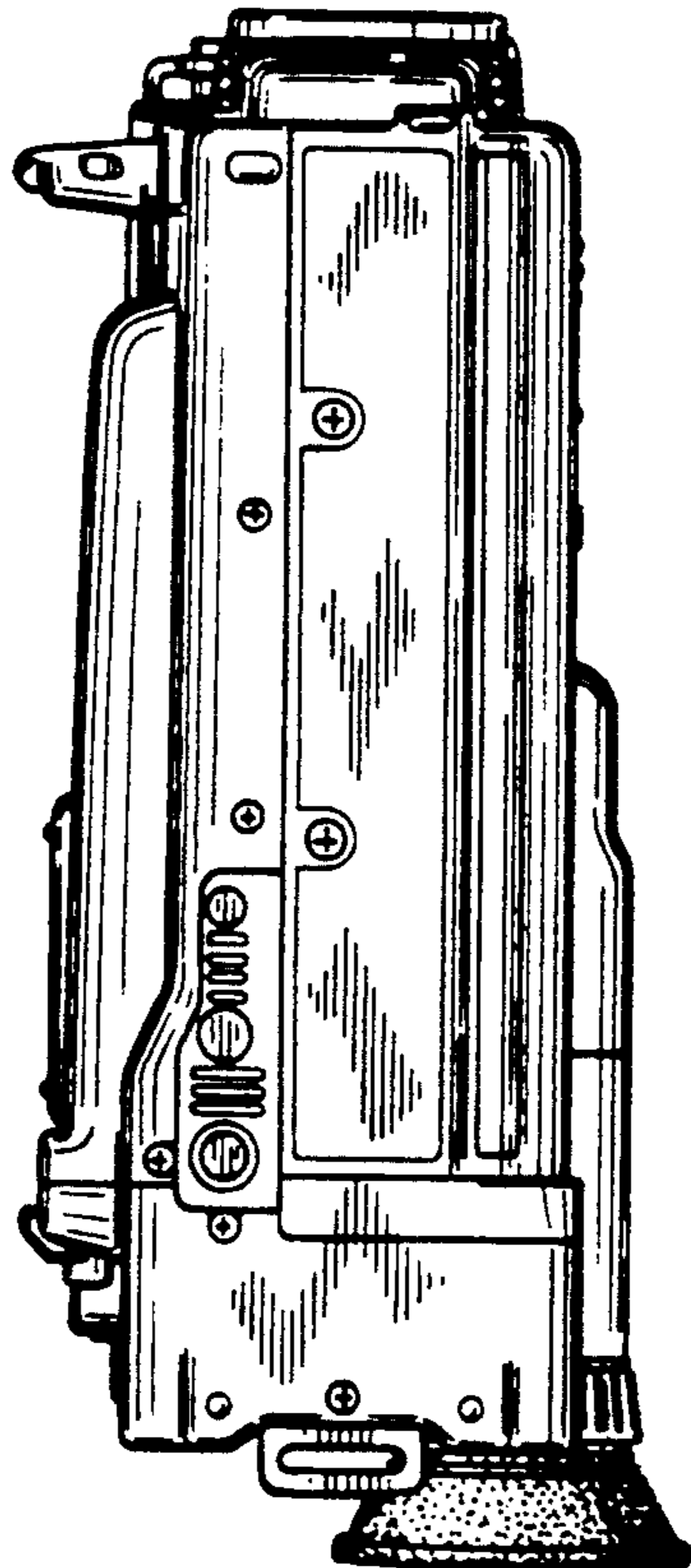


FIG. 6

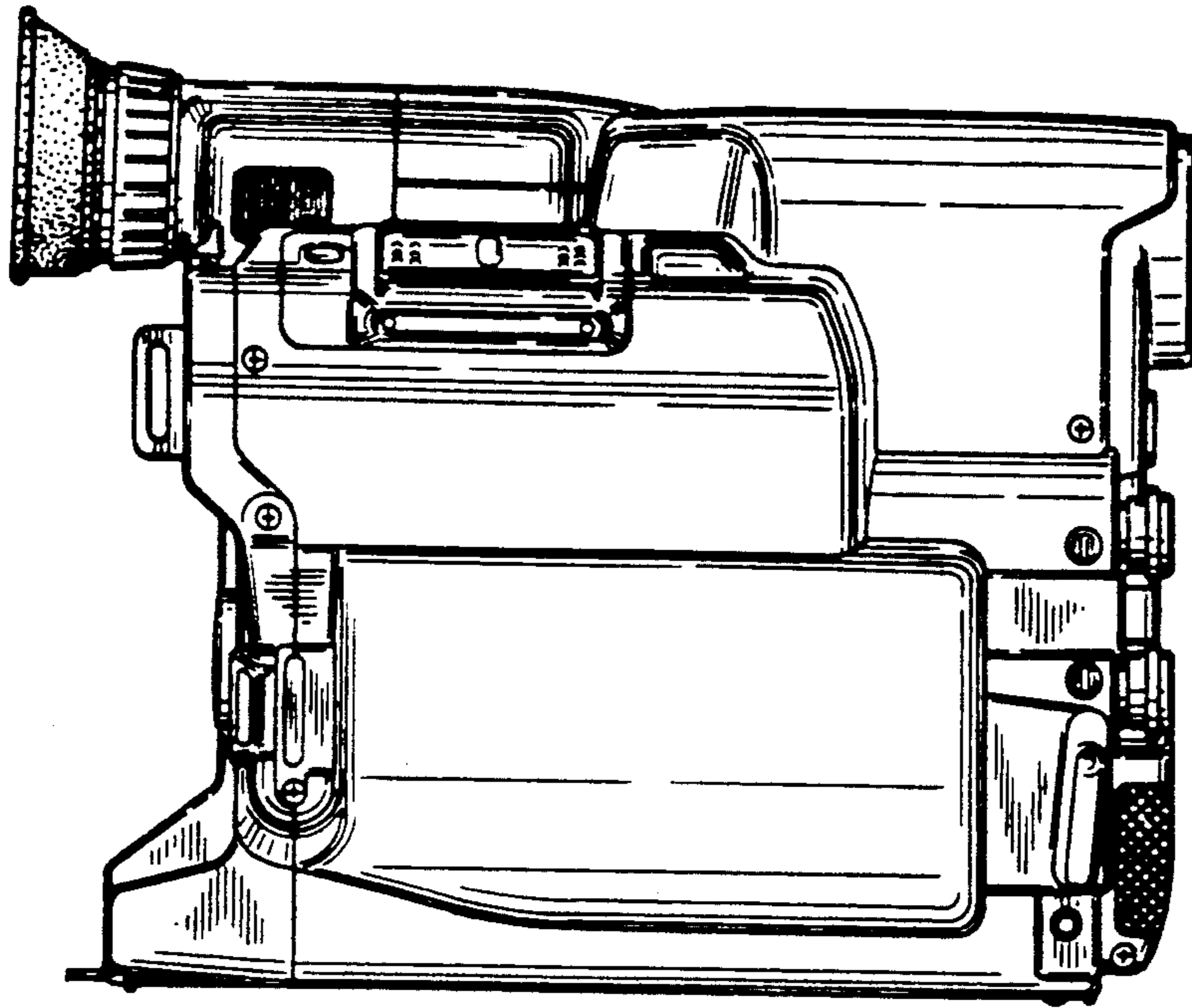


FIG. 7

