



US00D342082S

**United States Patent** [19]  
**Kelley**

[11] **Patent Number: Des. 342,082**

[45] **Date of Patent: \*\* Dec. 7, 1993**

[54] **CAMERA**

[76] **Inventor: Raymond Kelley, HC 81 Box 520,  
Blaine, Ky. 41124**

[\*\*] **Term: 14 Years**

[21] **Appl. No.: 795,094**

[22] **Filed: Nov. 20, 1991**

[52] **U.S. Cl. .... D16/201; D22/103**

[58] **Field of Search .... D16/200, 201, 208;  
D22/103; 354/266, 288**

1,605,389 11/1926 Brelsford ..... 354/266  
2,943,547 7/1960 Martin ..... 354/266 X

*Primary Examiner—Bernard Ansher  
Assistant Examiner—Mitchell Siegel  
Attorney, Agent, or Firm—H. Jay Spiegel*

[57] **CLAIM**

The ornamental design for a camera, as shown and described.

**DESCRIPTION**

FIG. 1 is a left side elevational view of a camera showing my new design;  
FIG. 2 is a right side elevational view thereof;  
FIG. 3 is a top plan view thereof;  
FIG. 4 is a bottom plan view thereof;  
FIG. 5 is a front end view thereof; and,  
FIG. 6 is a rear end view thereof.

[56]

**References Cited**

**U.S. PATENT DOCUMENTS**

D. 41,900	11/1911	Ford	.....	D16/201
D. 44,034	5/1913	Searle	.....	D22/103
D. 141,078	5/1945	Wheatley	.....	D22/103
D. 272,173	1/1984	Mattarelli	.....	D22/103

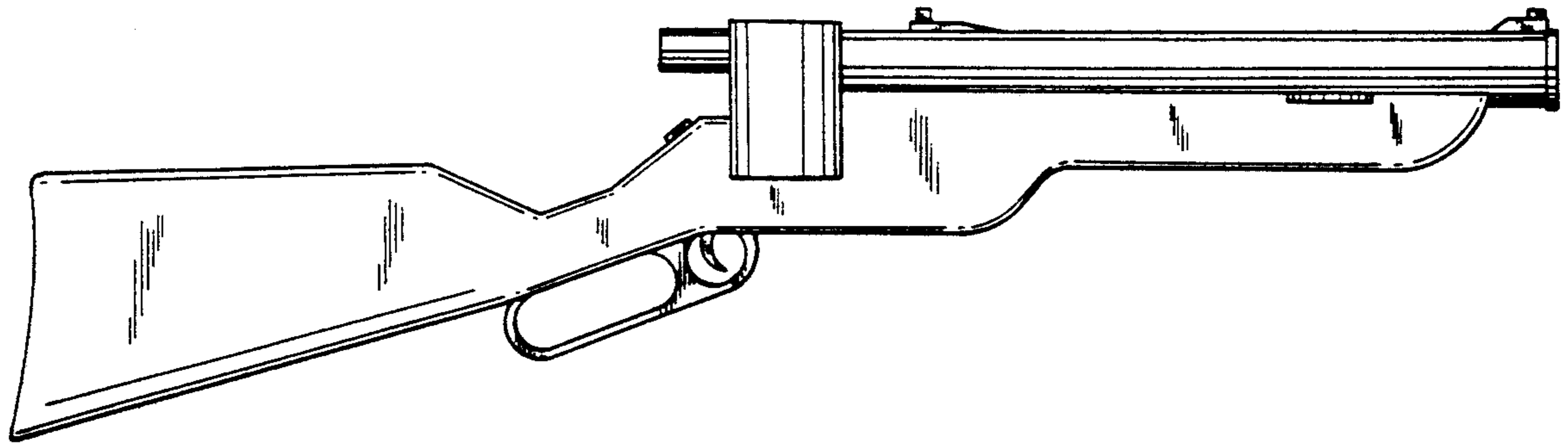


FIG. 1

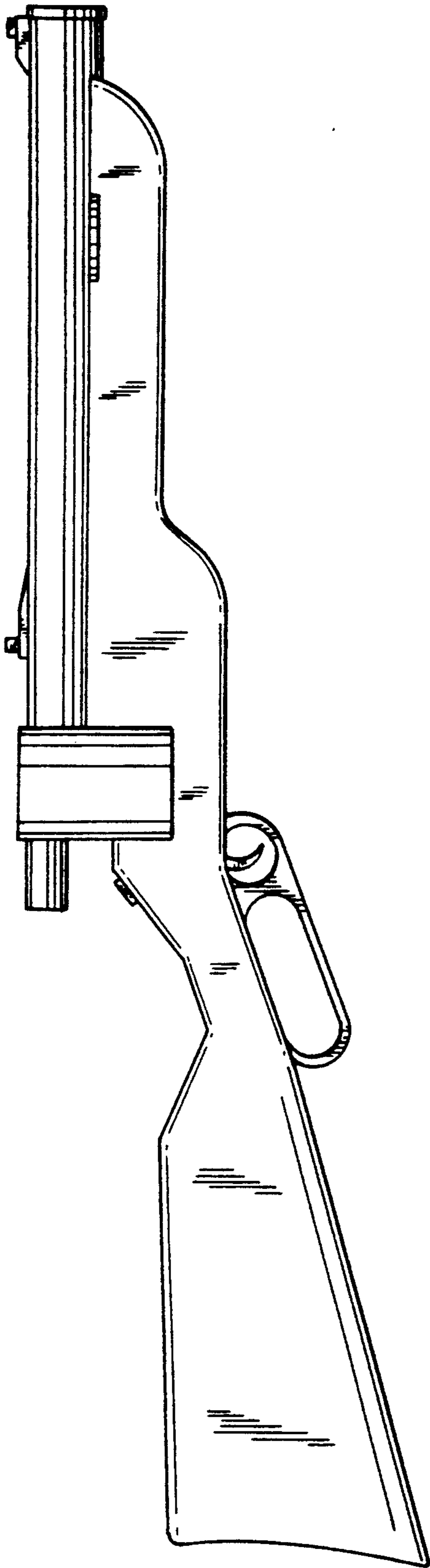


FIG. 2

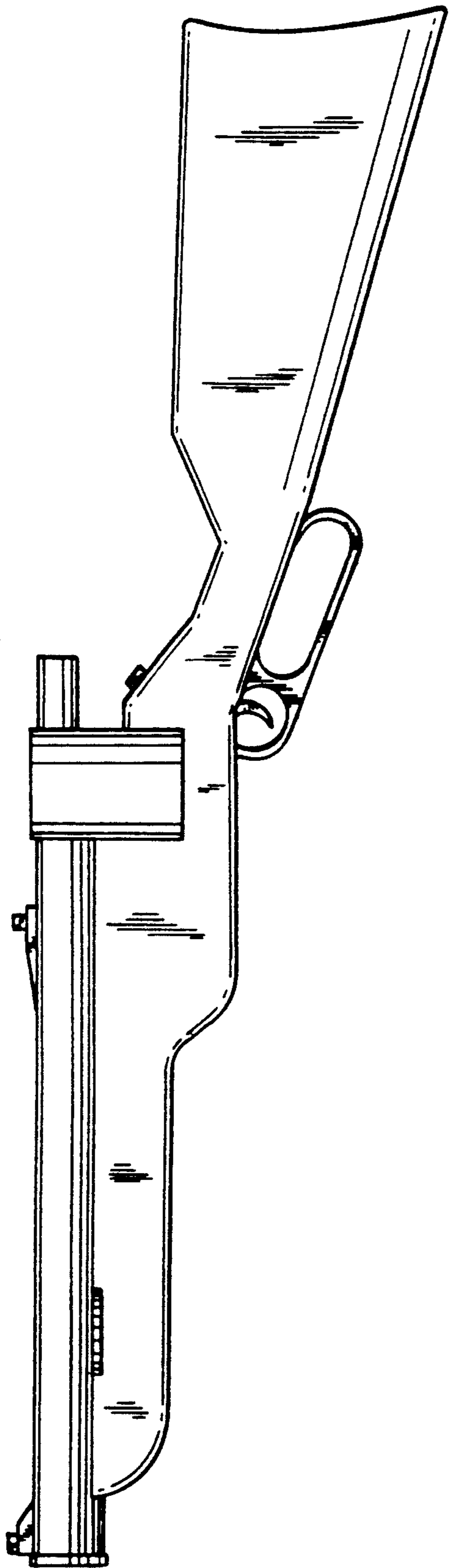


FIG. 3

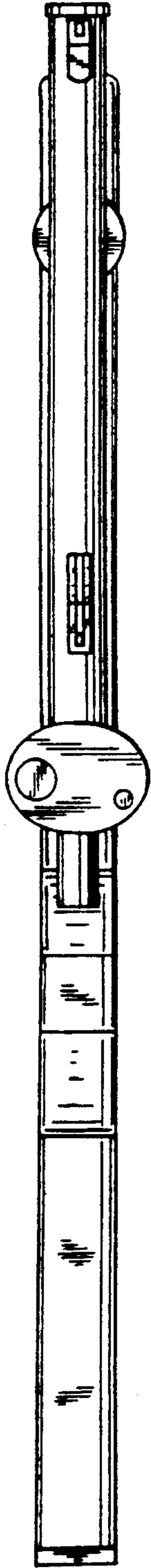


FIG. 4

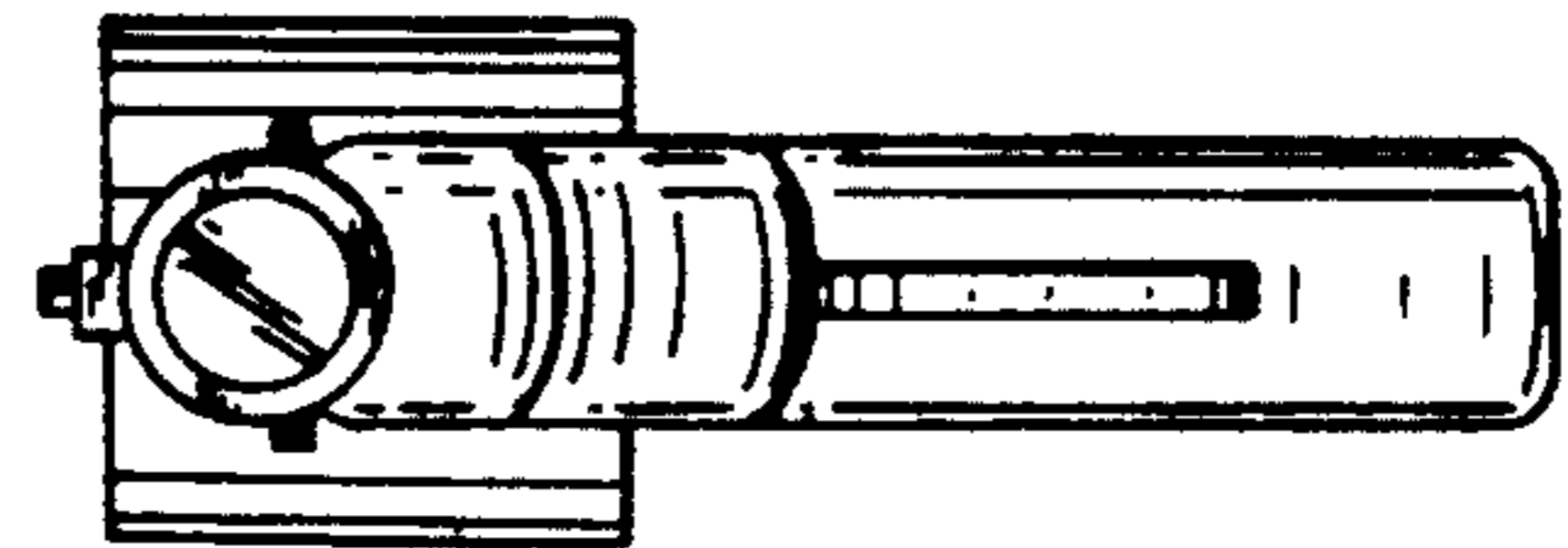
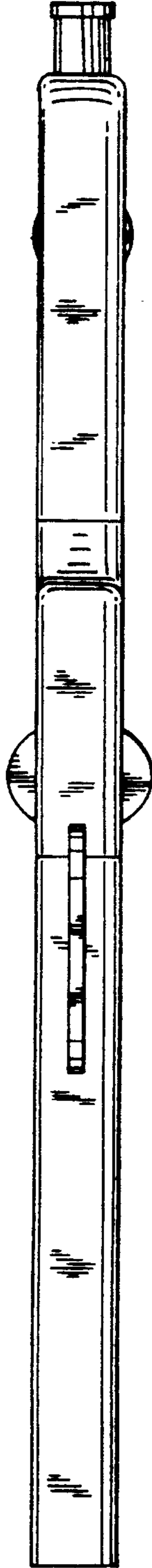


FIG. 5

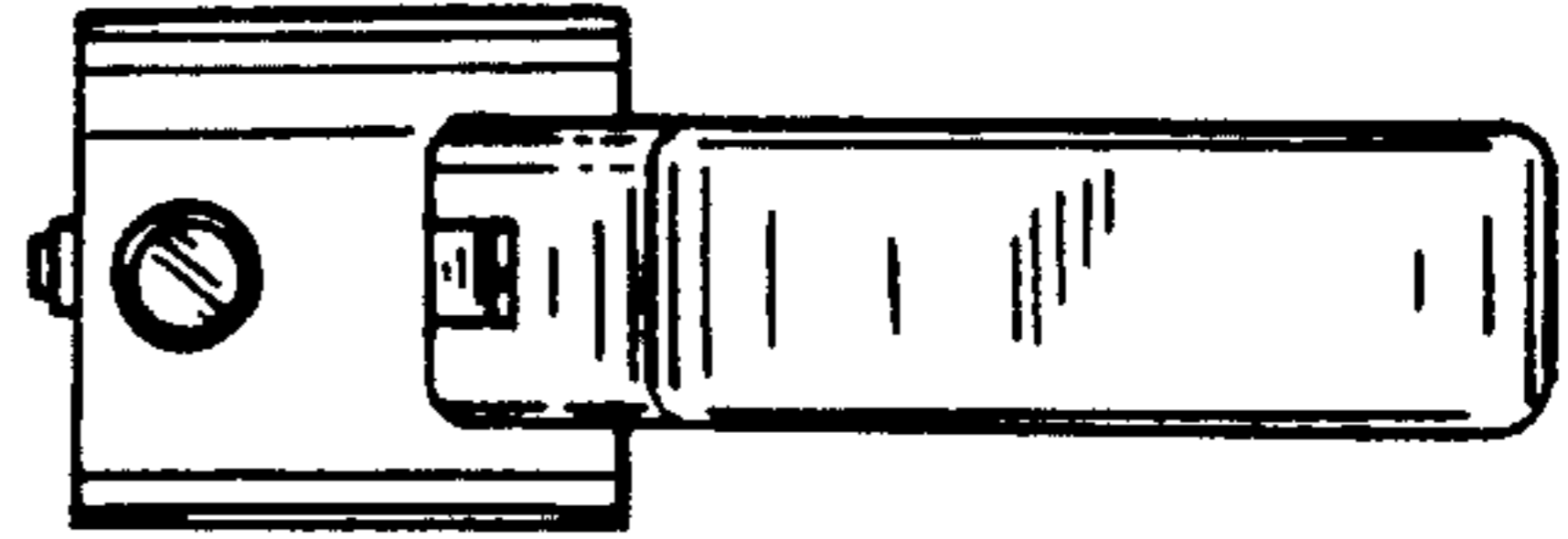


FIG. 6