



US00D342078S

United States Patent [19]

[11] Patent Number: **Des. 342,078**

De brey

[45] Date of Patent: **** Dec. 7, 1993**

[54] **APPARATUS FOR SURFACE TREATMENT OF WOOD AND METAL ARTICLES**

- [75] Inventor: **Robert J. De brey, Edina, Minn.**
- [73] Assignee: **Timesavers, Inc., Minneapolis, Minn.**
- [**] Term: **14 Years**
- [21] Appl. No.: **920,235**
- [22] Filed: **Jun. 19, 1992**
- [52] U.S. Cl. **D15/124**
- [58] Field of Search **D15/124, 125, 126; 51/135 R, 149, 156, 157-162**

Attorney, Agent, or Firm—Haugen and Nikolai

[57] **CLAIM**

The ornamental design for the apparatus for surface treatment of wood and metal articles, as shown and described.

DESCRIPTION

FIG. 1 is a perspective view of the apparatus for surface treatment of wood and metal articles;
 FIG. 2 is an elevational view of the left side of the design illustrated in FIG. 1;
 FIG. 3 is a right side elevational view of the design illustrated in FIG. 1;
 FIG. 4 is a front elevational view of the design illustrated in FIG. 1;
 FIG. 5 is a rear elevational view of the design illustrated in FIG. 1;
 FIG. 6 is a top plan view of the design illustrated in FIG. 1; and,
 FIG. 7 is a bottom plan view of the apparatus for surface treatment of wood and metal articles illustrated in FIG. 1.

[56] **References Cited**

U.S. PATENT DOCUMENTS

- D. 229,957 1/1974 Schuster et al. D15/124
- D. 279,682 7/1985 Maxwell D15/124
- 3,932,960 1/1976 Edgar et al. 51/157 X
- 3,988,864 11/1976 O'Connor 51/157

Primary Examiner—Nelson C. Holtje
Assistant Examiner—Antoine D. Davis

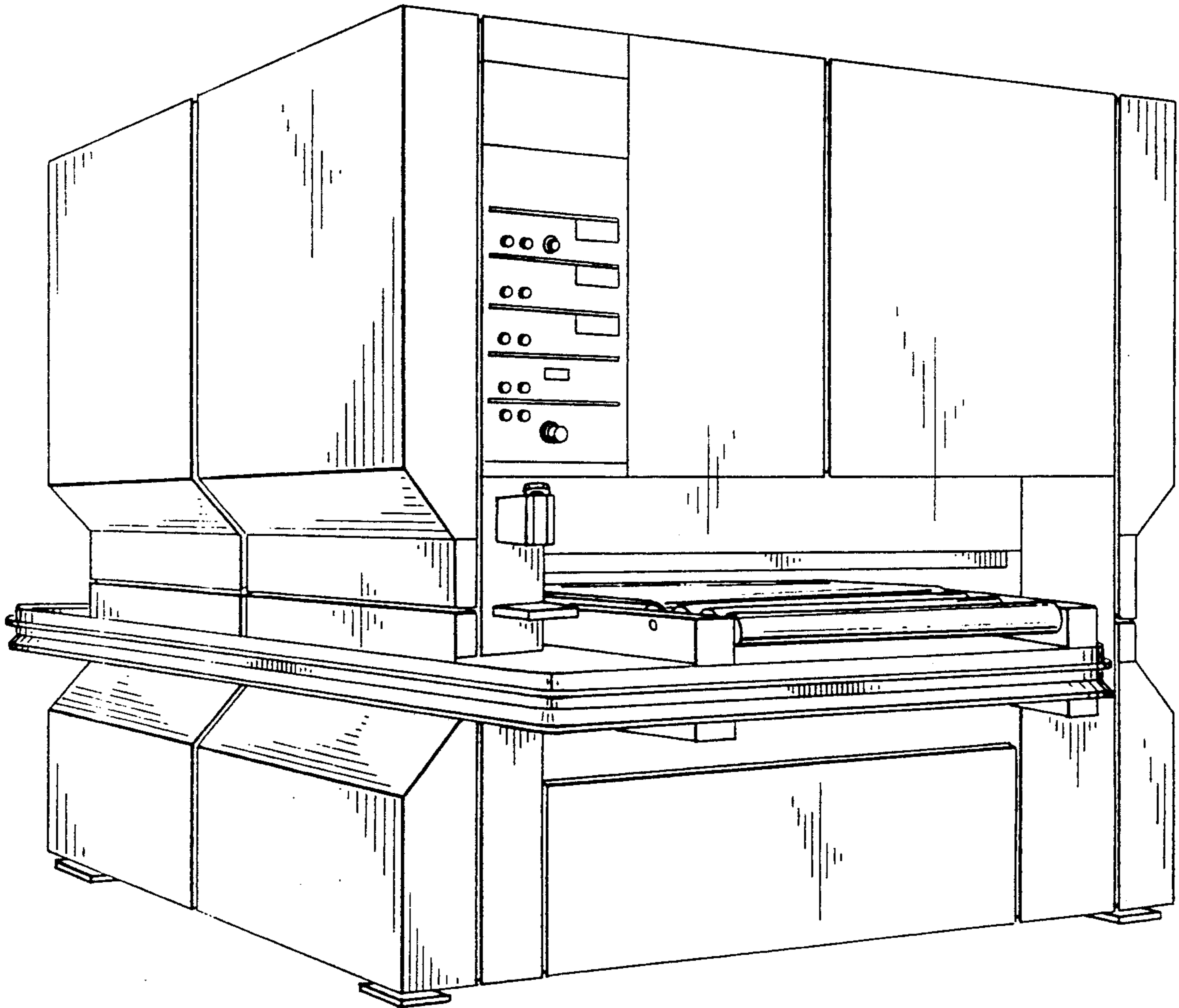


Fig. -1

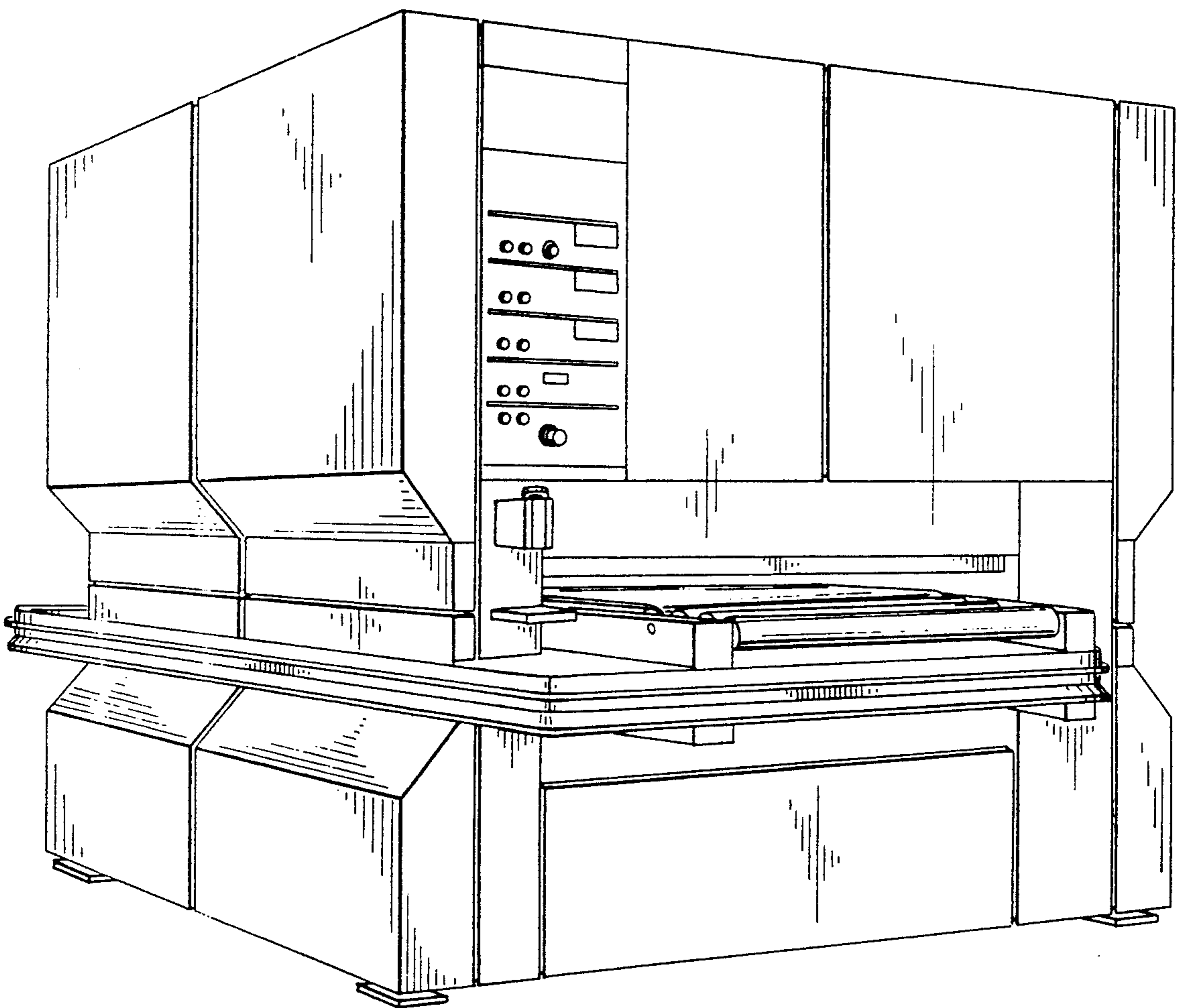


Fig.-2

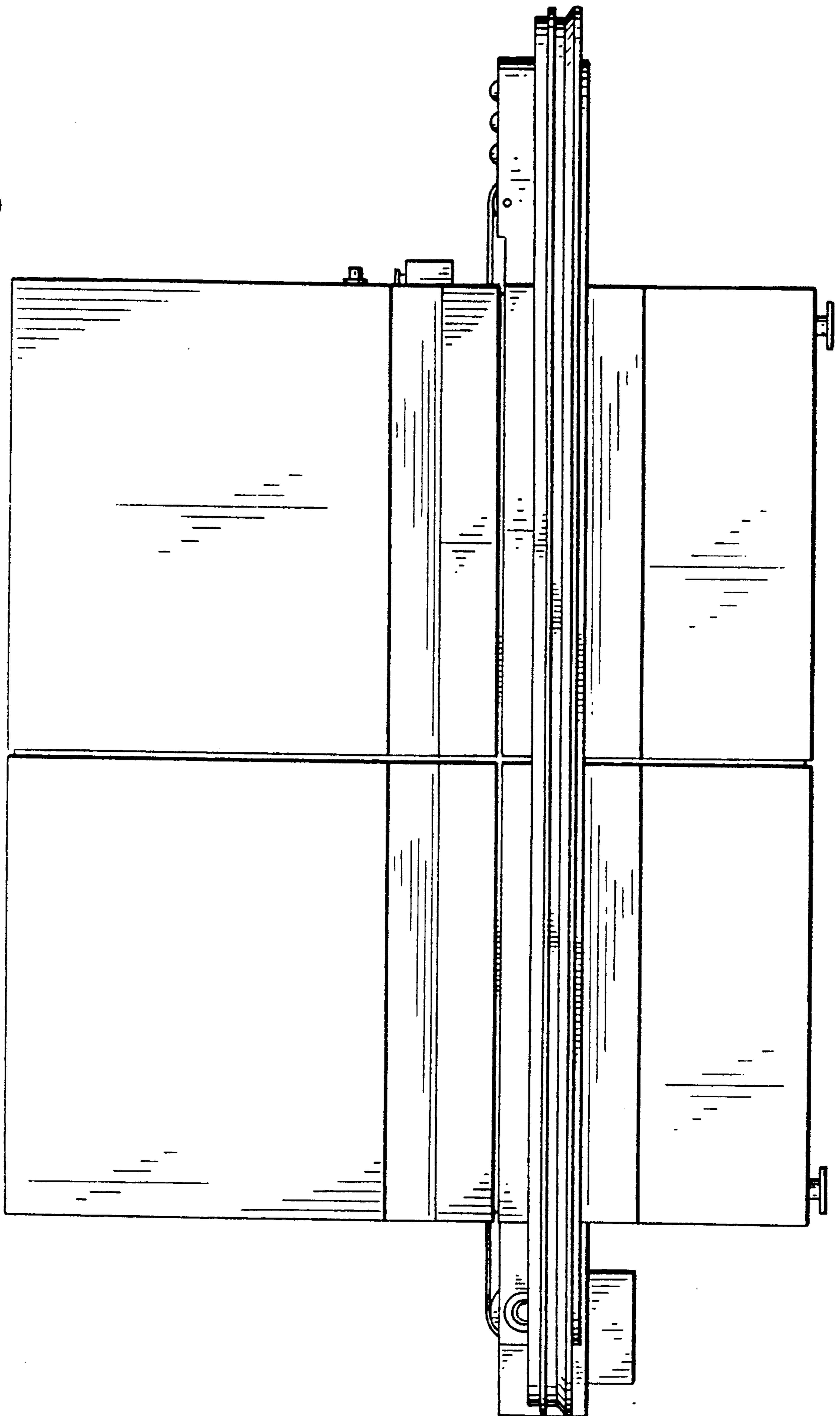
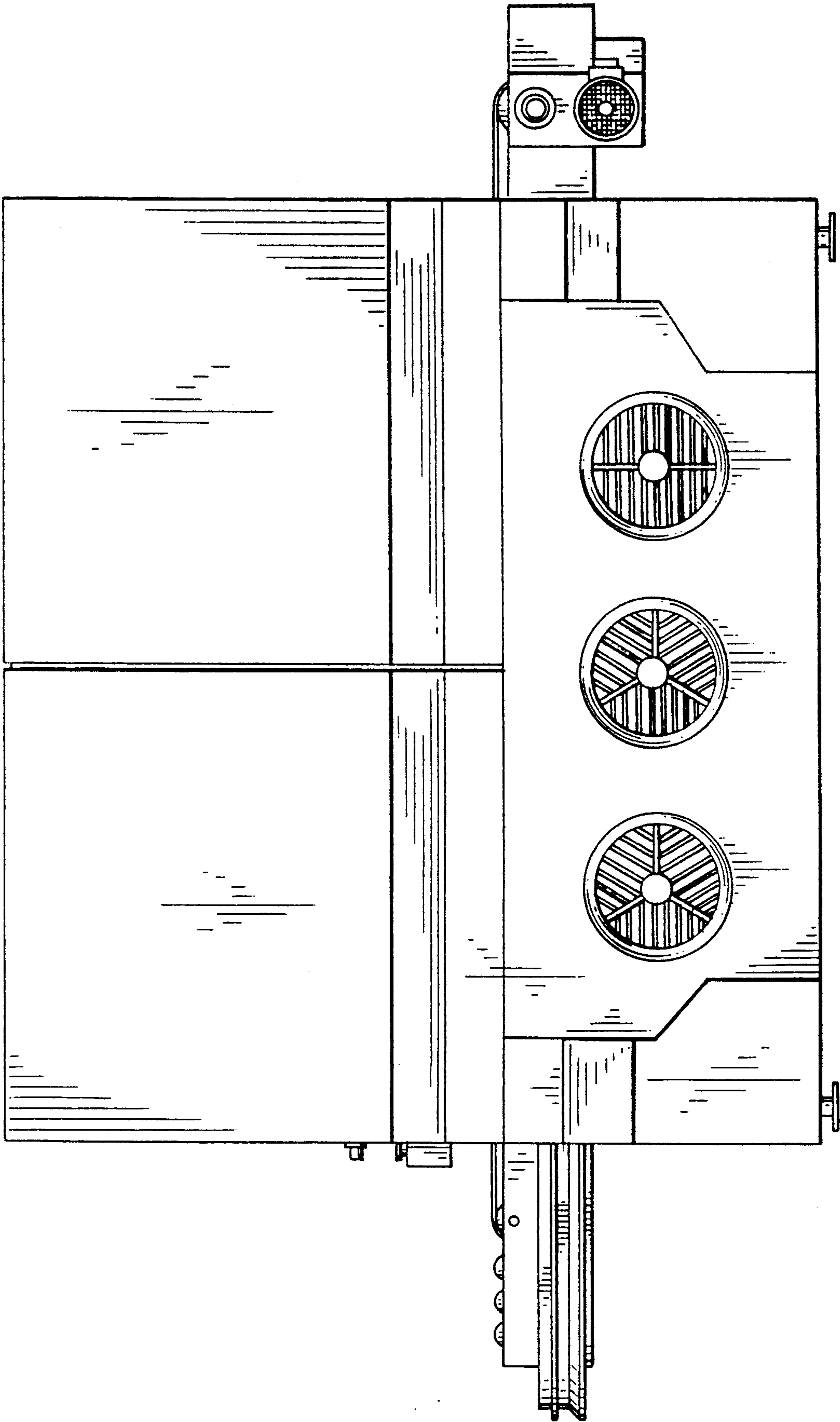


Fig.-3



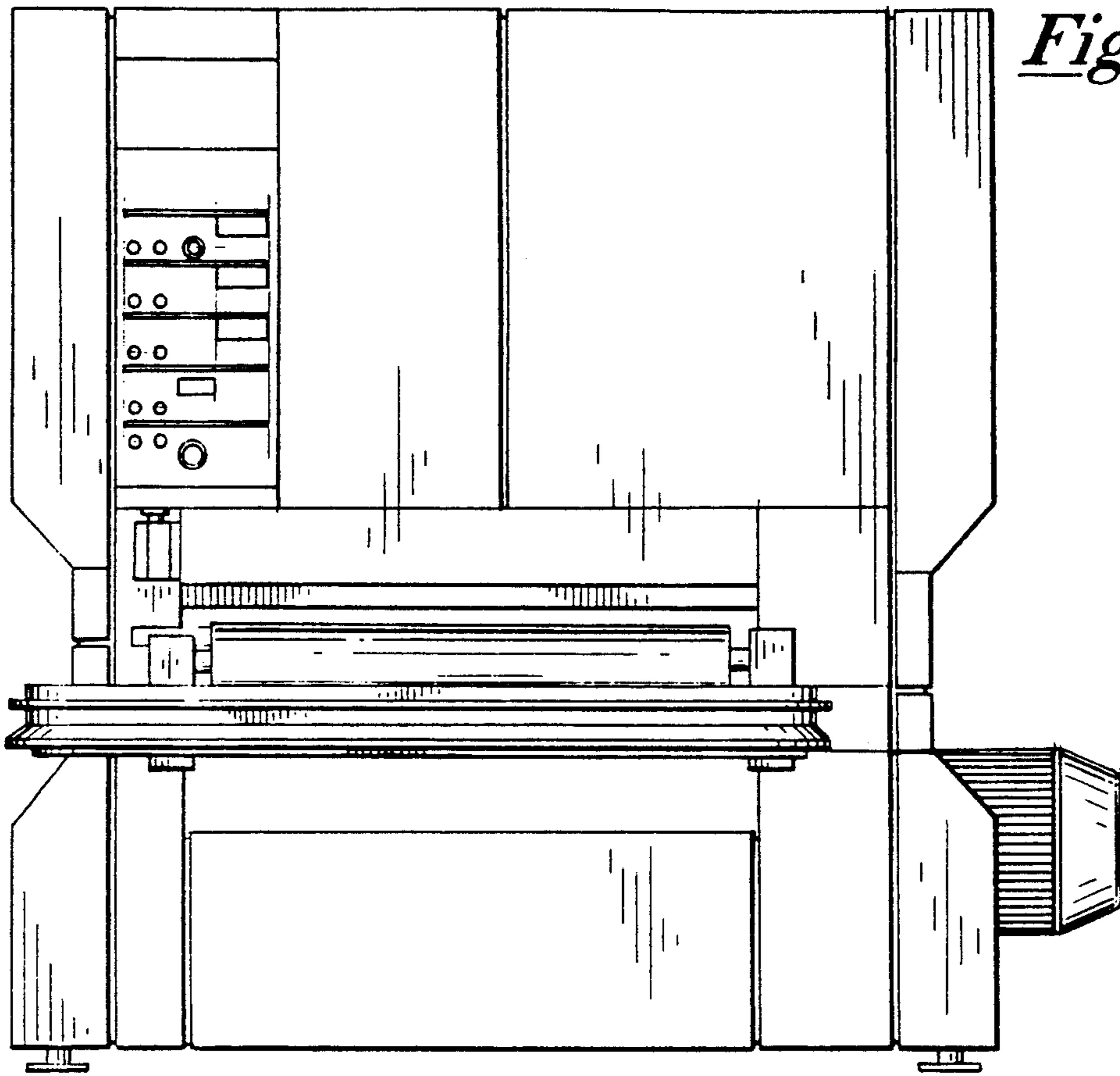


Fig.-4

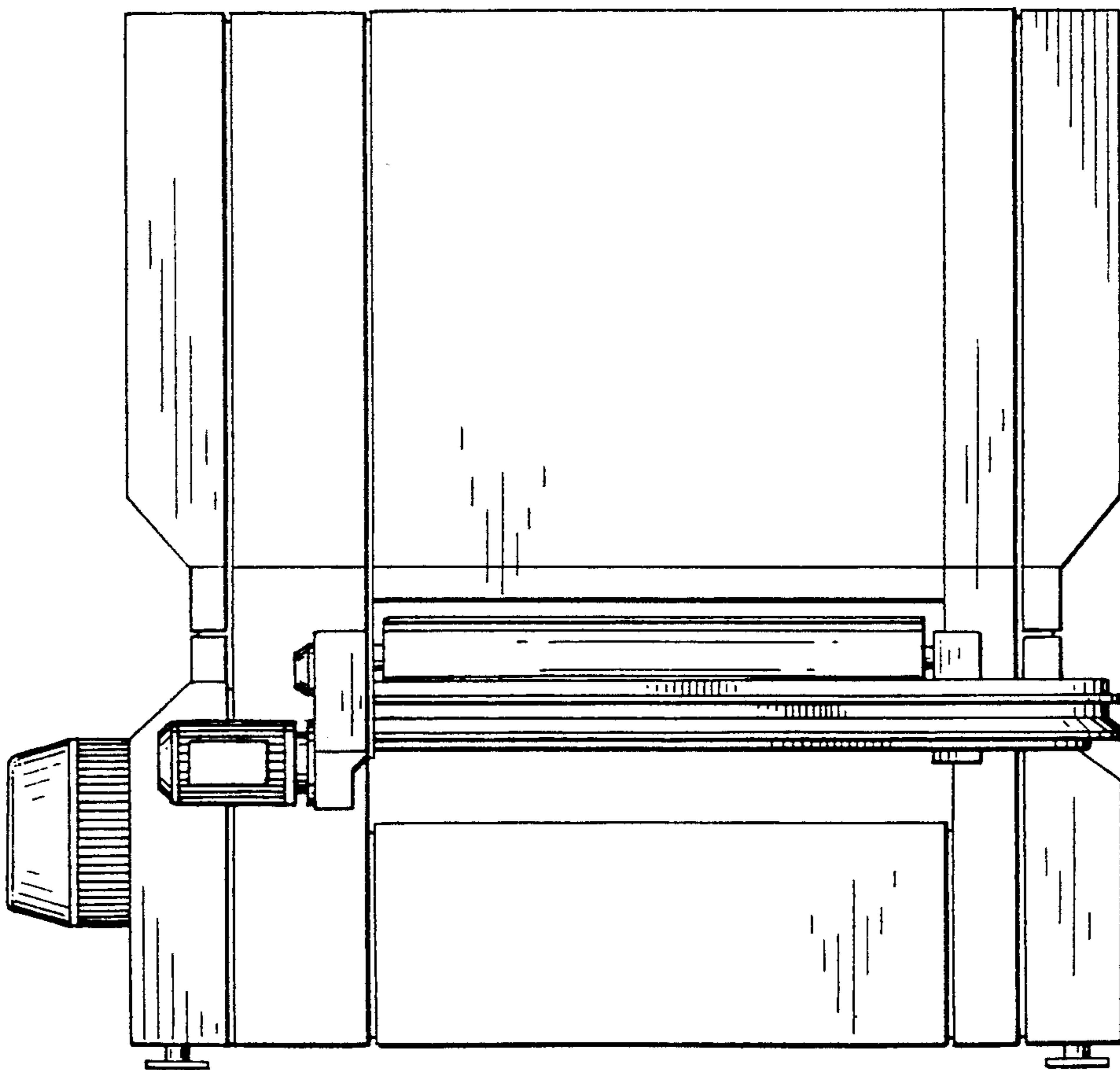


Fig.-5

Fig.-6

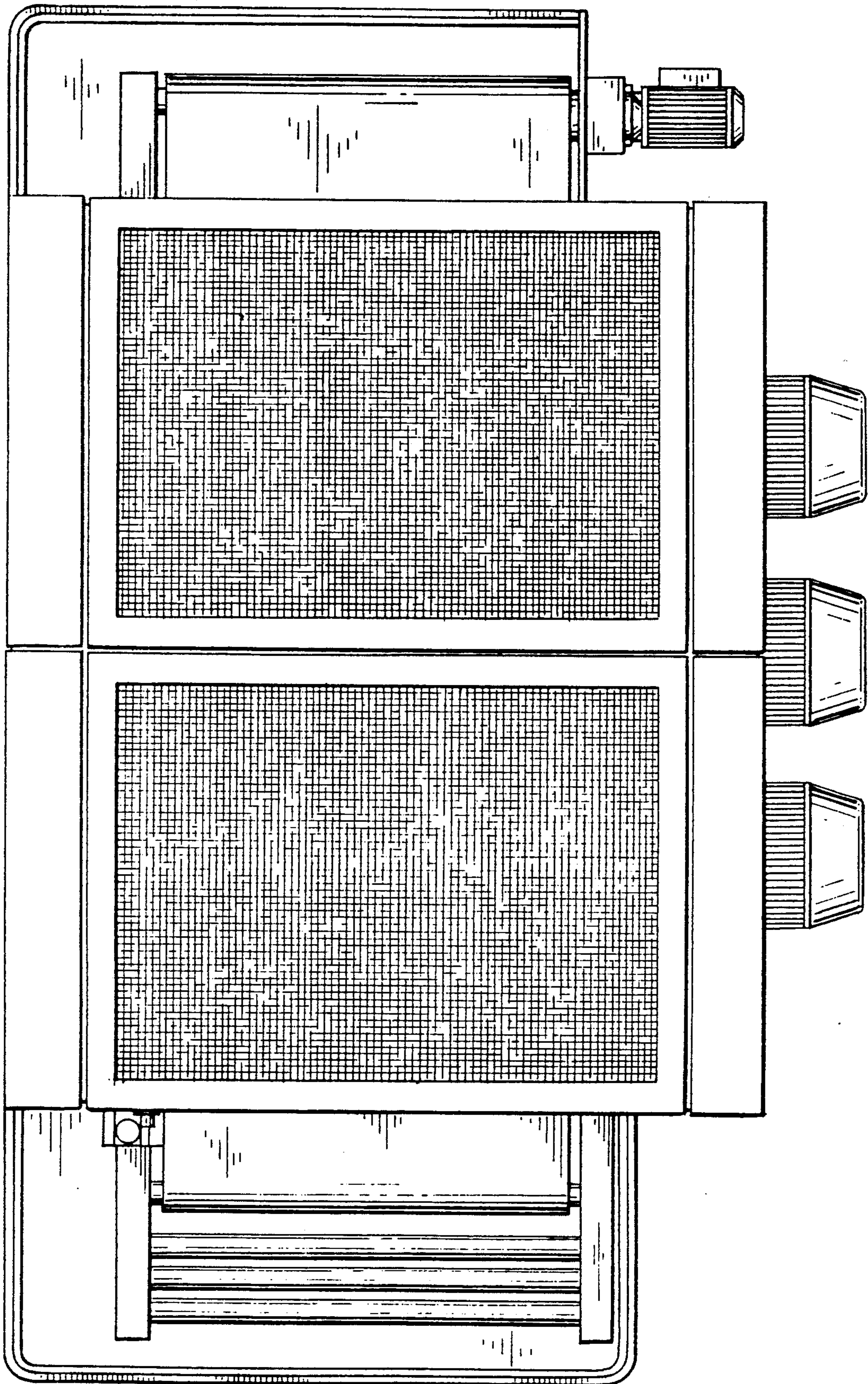


Fig. -7

