



US00D342077S

# United States Patent [19] Griffin

[11] Patent Number: **Des. 342,077**  
[45] Date of Patent: **\*\* Dec. 7, 1993**

[54] CAN CRUSHING DEVICE  
[76] Inventor: **Thomas A. Griffin**, 1103 W. Elliott,  
Springfield, Ill. 62702  
[\*\*] Term: **14 Years**  
[21] Appl. No.: **886,185**  
[22] Filed: **May 21, 1992**  
[52] U.S. Cl. .... **D15/123**  
[58] Field of Search ..... **D15/123; 100/202, 233,**  
**100/234, 235, 236, 902**

4,383,480 5/1983 Jerden ..... 100/902 X  
4,442,768 4/1984 Bailey ..... 100/902 X  
4,561,351 12/1985 Ader ..... 100/233  
5,069,121 12/1991 Fletcher ..... D15/123 X

*Primary Examiner*—Alan P. Douglas  
*Assistant Examiner*—Antoine D. Davis  
*Attorney, Agent, or Firm*—Terry M. Gernstein

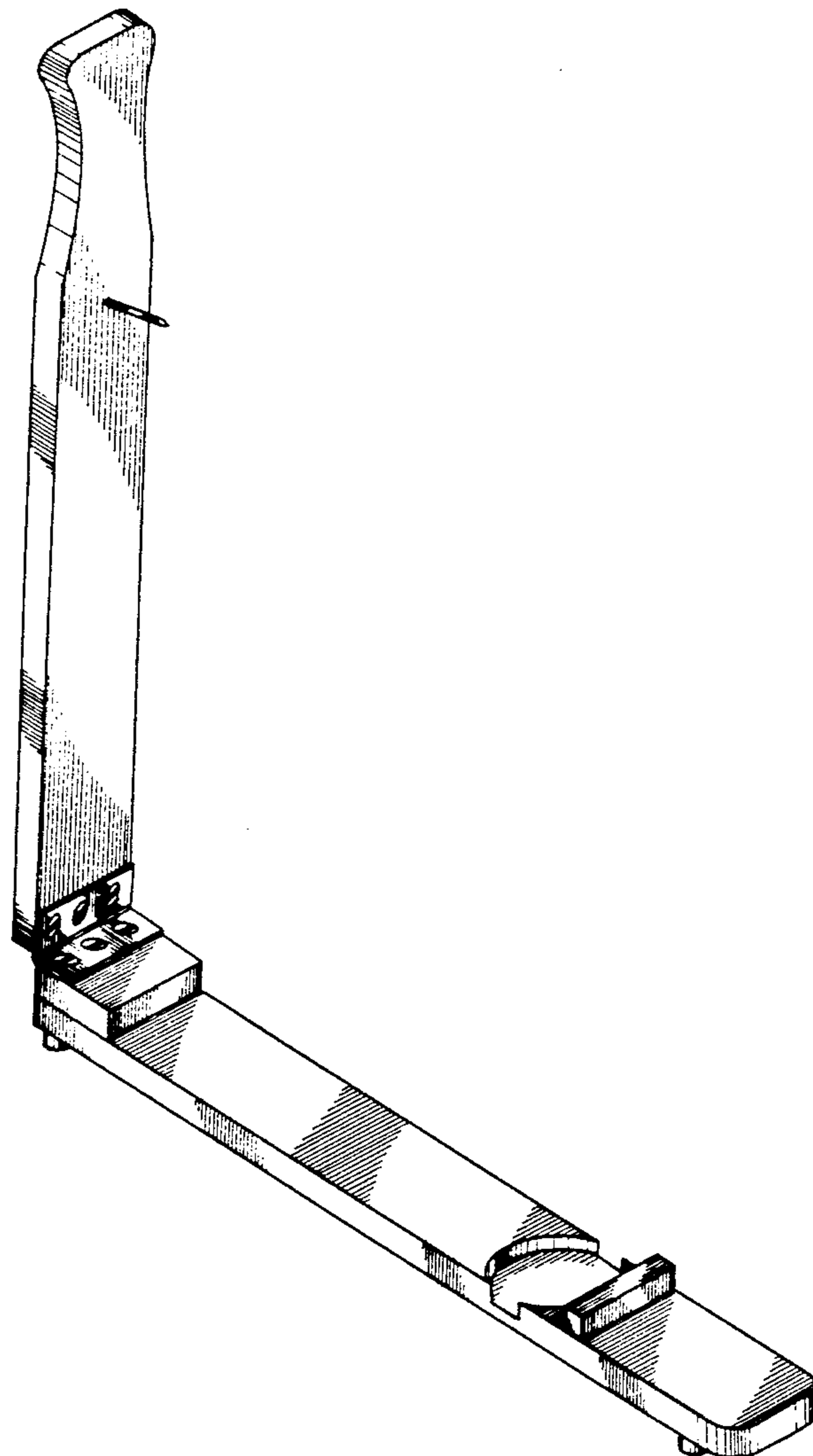
### [57] CLAIM

The ornamental design for a can crushing device, as shown and described.

### DESCRIPTION

FIG. 1 is a front, top and side perspective view of the can crushing device embodying the design of the present invention;  
FIG. 2 is a front elevational view thereof;  
FIG. 3 is a rear elevational view thereof;  
FIG. 4 is a side elevational view thereof, the side opposite being a mirror image of the side shown in FIG. 4;  
FIG. 5 is a top plan view thereof; and,  
FIG. 6 is a bottom view thereof.

- [56] **References Cited**  
**U.S. PATENT DOCUMENTS**  
D. 240,074 5/1976 Smith ..... D15/123  
D. 268,761 4/1983 Brown ..... D15/123  
1,305,339 6/1919 Bolton et al. .... 100/902 X  
2,614,604 10/1952 Coffey ..... 100/902 X  
2,800,160 7/1957 Wilson .  
2,905,079 9/1959 Brock .  
3,776,129 12/1973 Carlson .



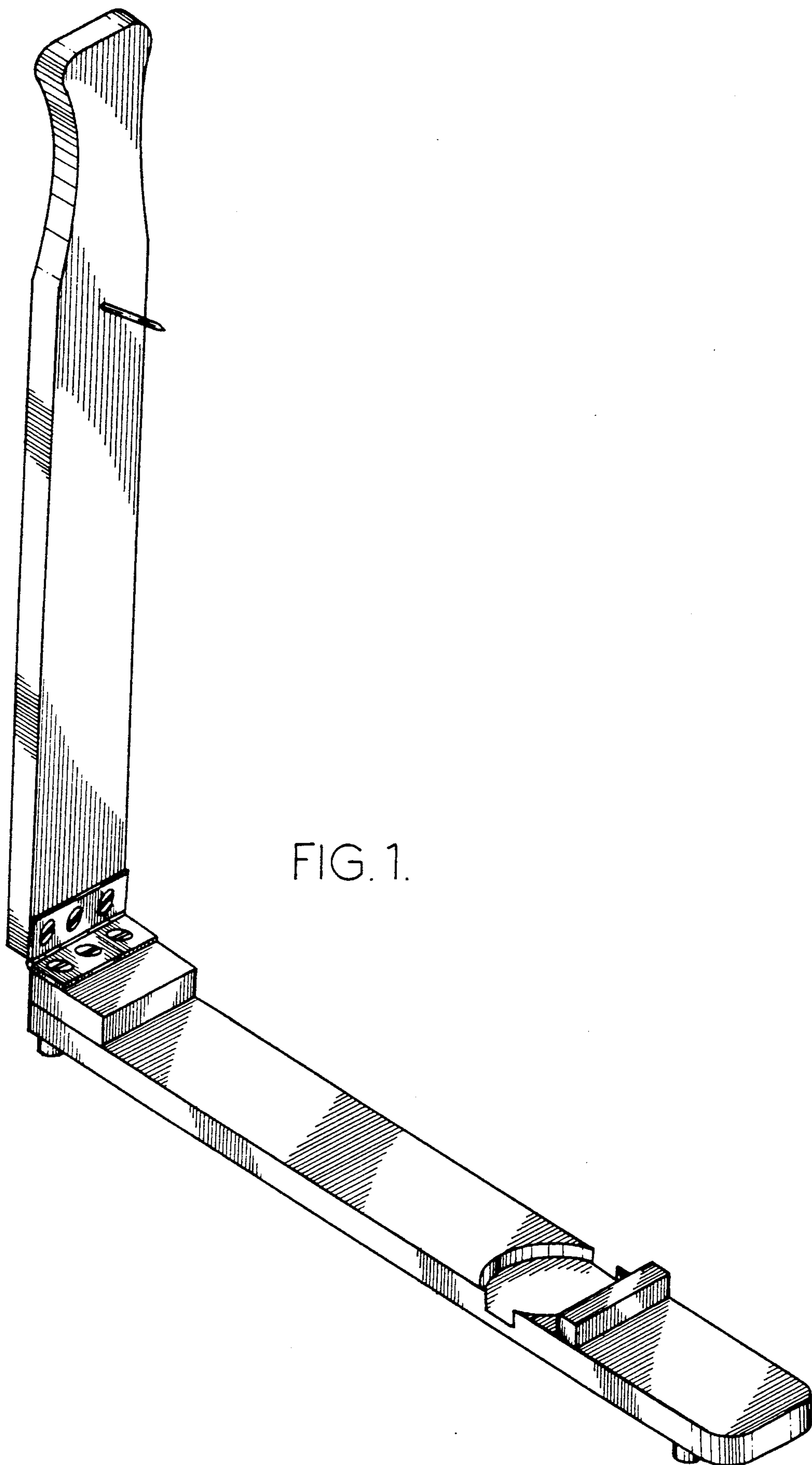


FIG. 1.

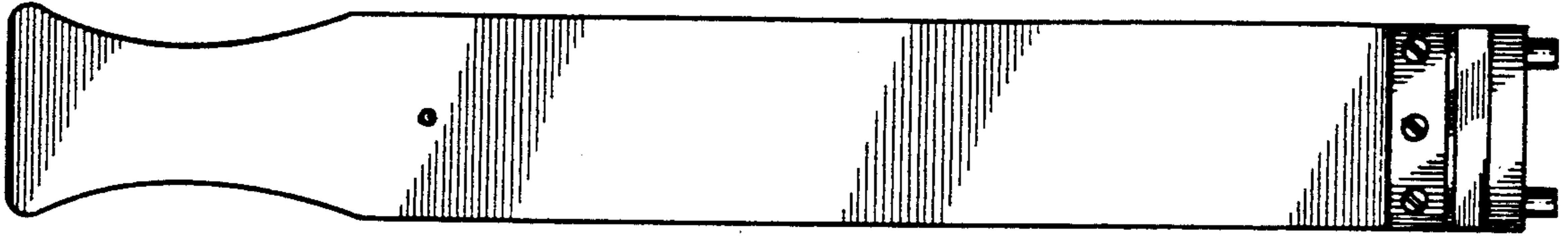


FIG. 2.

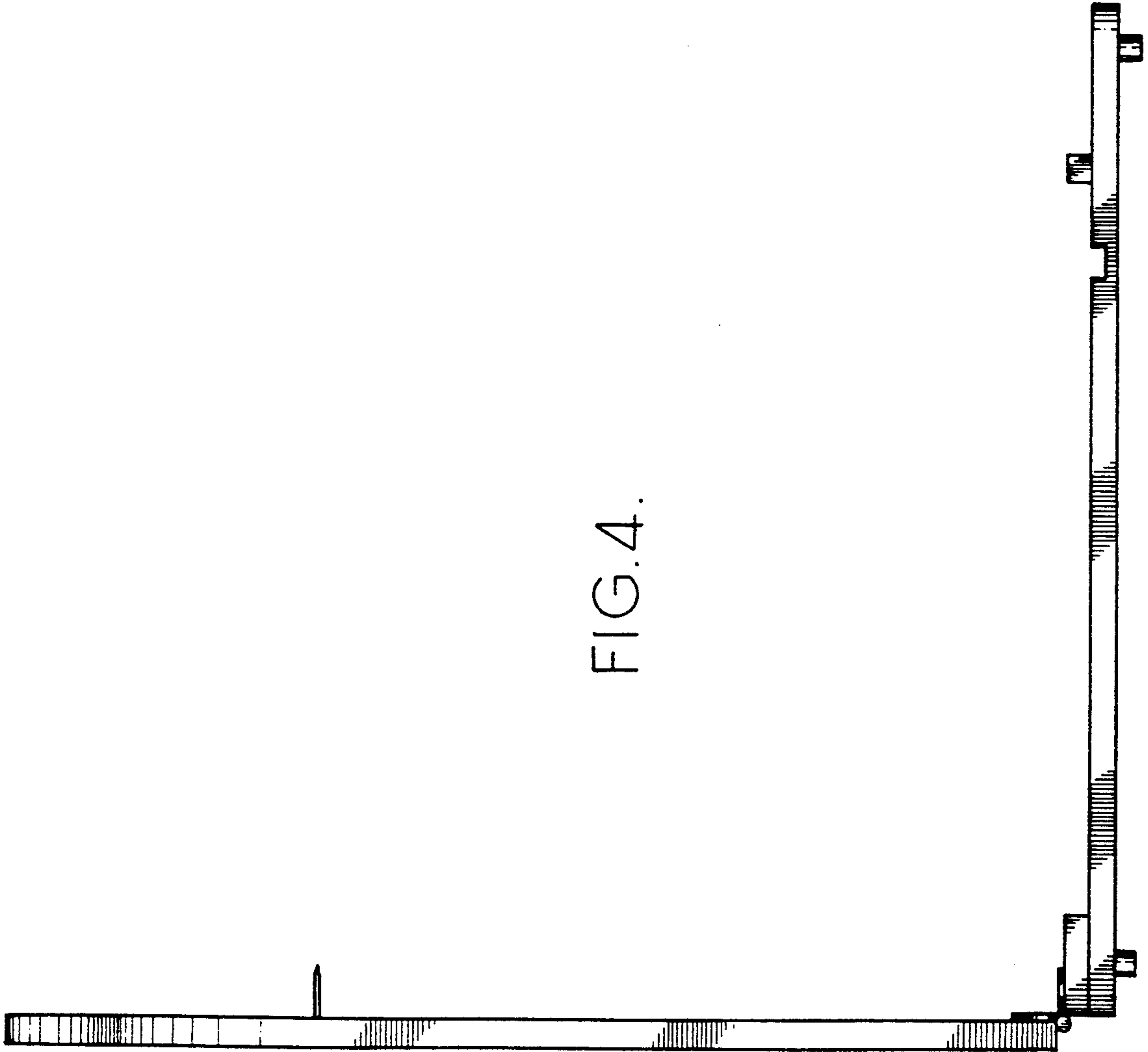


FIG. 4.

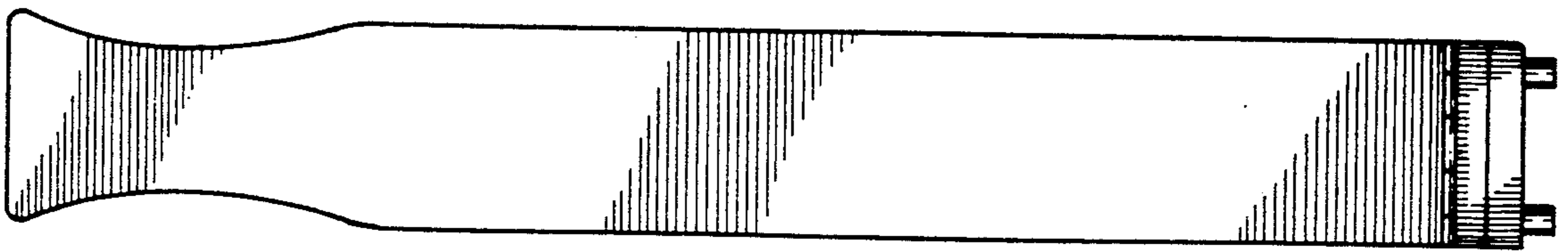


FIG. 3.

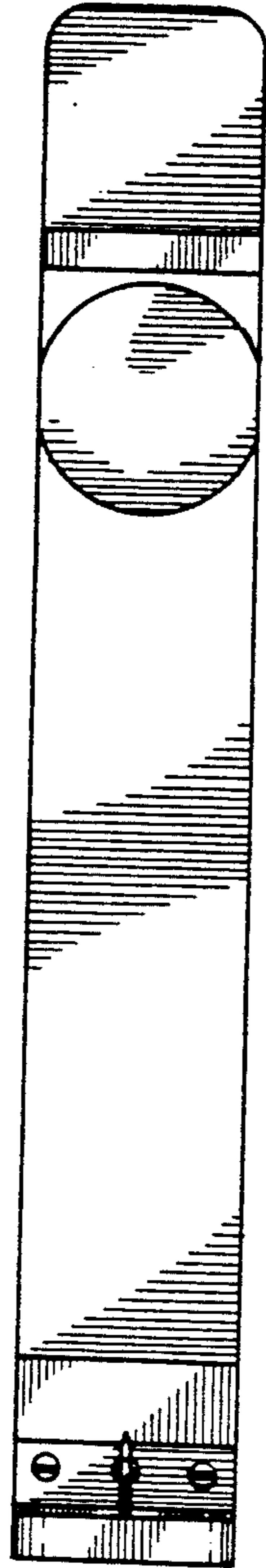


FIG. 5.

FIG. 6.

