



US00D342075S

United States Patent [19]

Whitley, II

[11] Patent Number: **Des. 342,075**

[45] Date of Patent: **** Dec. 7, 1993**

[54] MARINE BILGE BLOWER

[75] Inventor: **Warwick M. Whitley, II**, Lynn Haven, Fla.

[73] Assignee: **Attwood Corporation**, Lowell, Mich.

[**] Term: **14 Years**

[21] Appl. No.: **860,344**

[22] Filed: **Mar. 30, 1992**

[52] U.S. Cl. **D15/4**

[58] Field of Search **D15/4; 440/84, 88-89, 440/44**

[56] References Cited

U.S. PATENT DOCUMENTS

D. 289,295	4/1987	Conner	D15/4
D. 297,012	8/1988	Gresens	D15/4
3,092,185	6/1963	Alexander, Jr.	440/89 X
3,576,172	4/1971	Ward	440/89

OTHER PUBLICATIONS

Attwood Product Catalog 1987-1988, p. 77.
Attwood Product Catalog 1991-1992, p. 18.
Perko Catalog No. 240, 1981, p. F2.

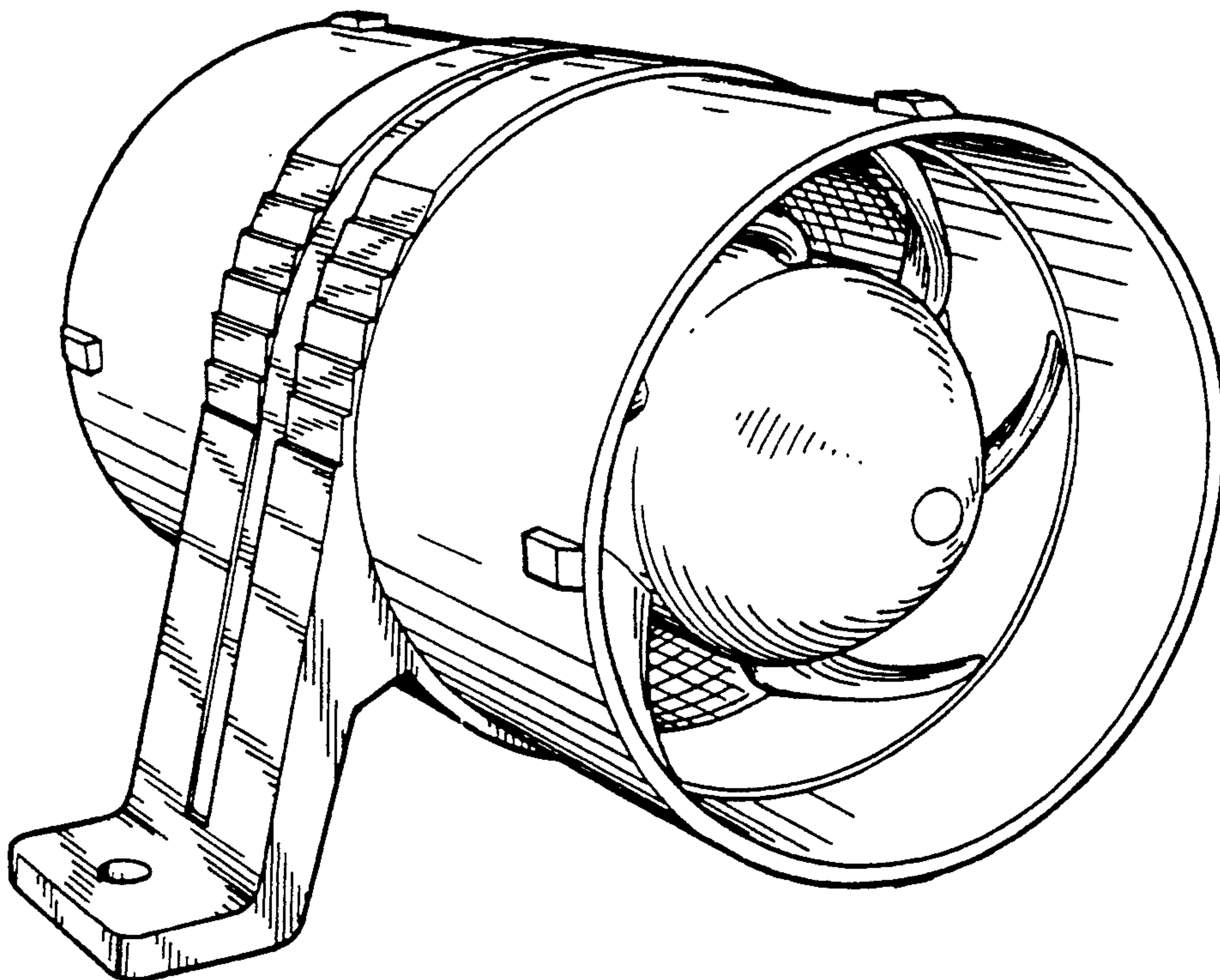
Primary Examiner—A. Hugo Word
Assistant Examiner—R. Seifert
Attorney, Agent, or Firm—Price, Heneveld, Cooper, DeWitt & Litton

[57] CLAIM

The ornamental design for a marine bilge blower, as shown and described.

DESCRIPTION

FIG. 1 is a front to side elevational, perspective view of a marine bilge blower showing my new design; FIG. 2 is a side elevational view of one side thereof, the other side being a mirror image; FIG. 3 is a front elevational view thereof; FIG. 4 is a rear elevational view thereof; FIG. 5 is a top plan view thereof; and, FIG. 6 is a bottom plan view thereof.



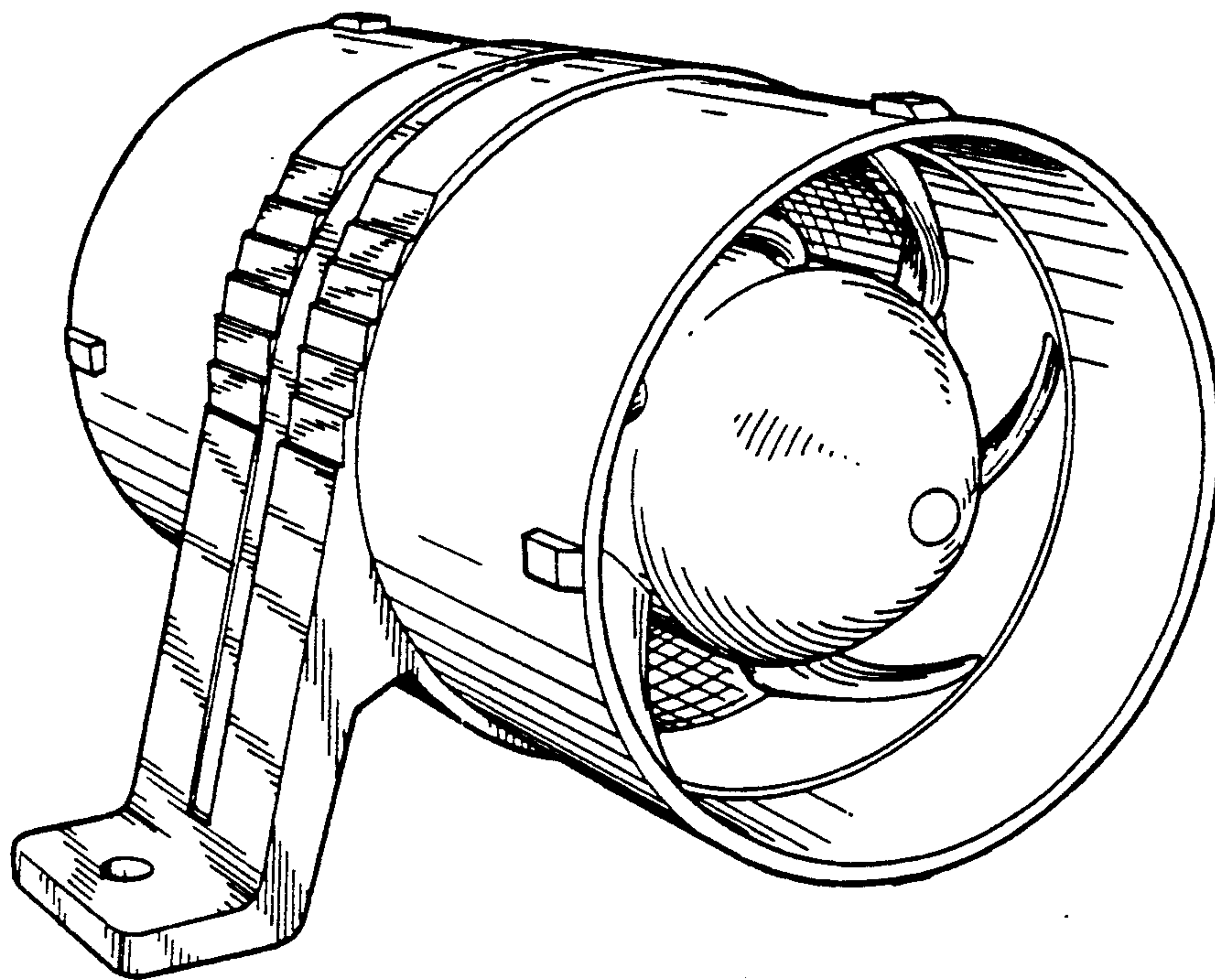


FIG. 1

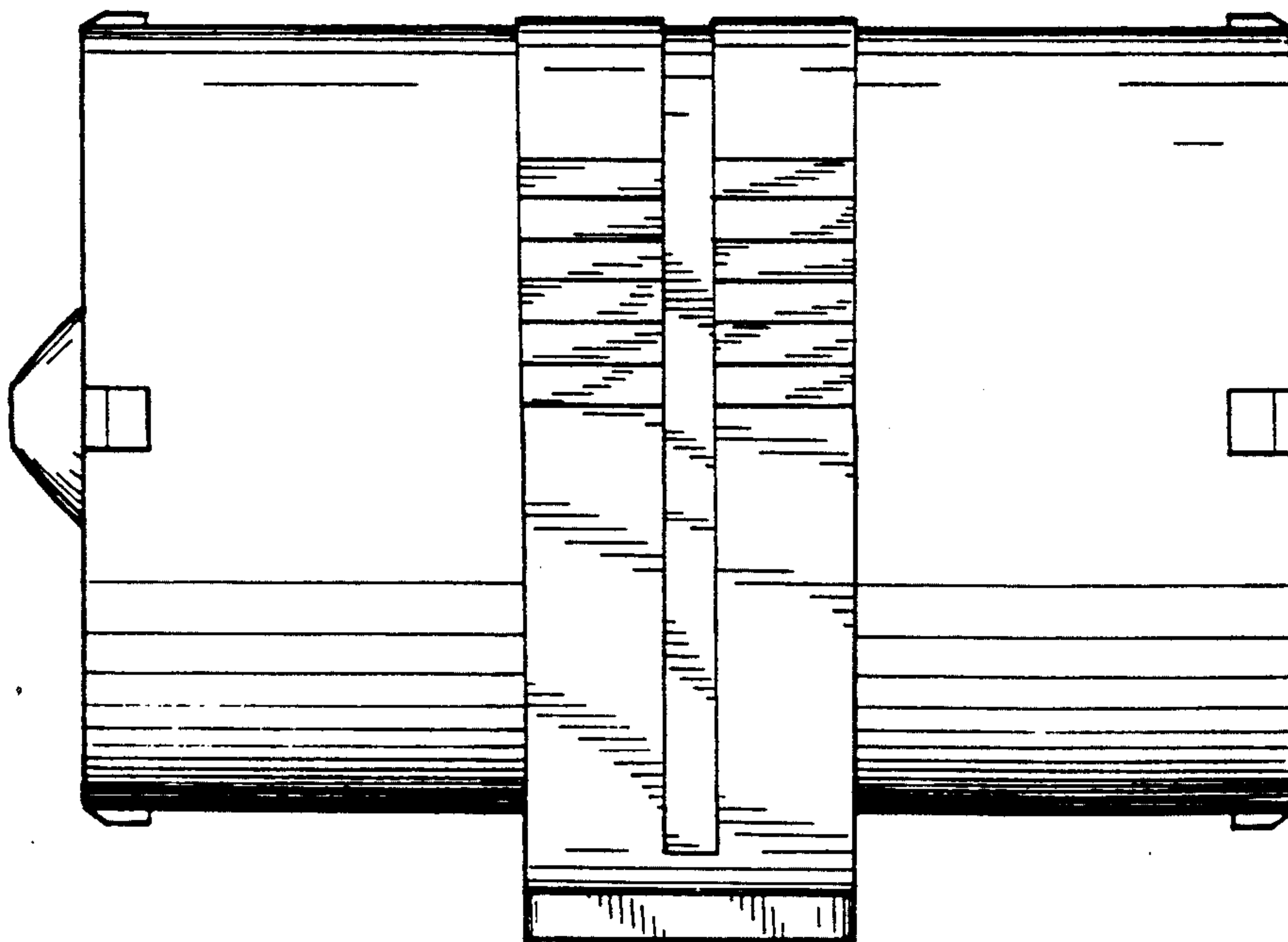


FIG. 2

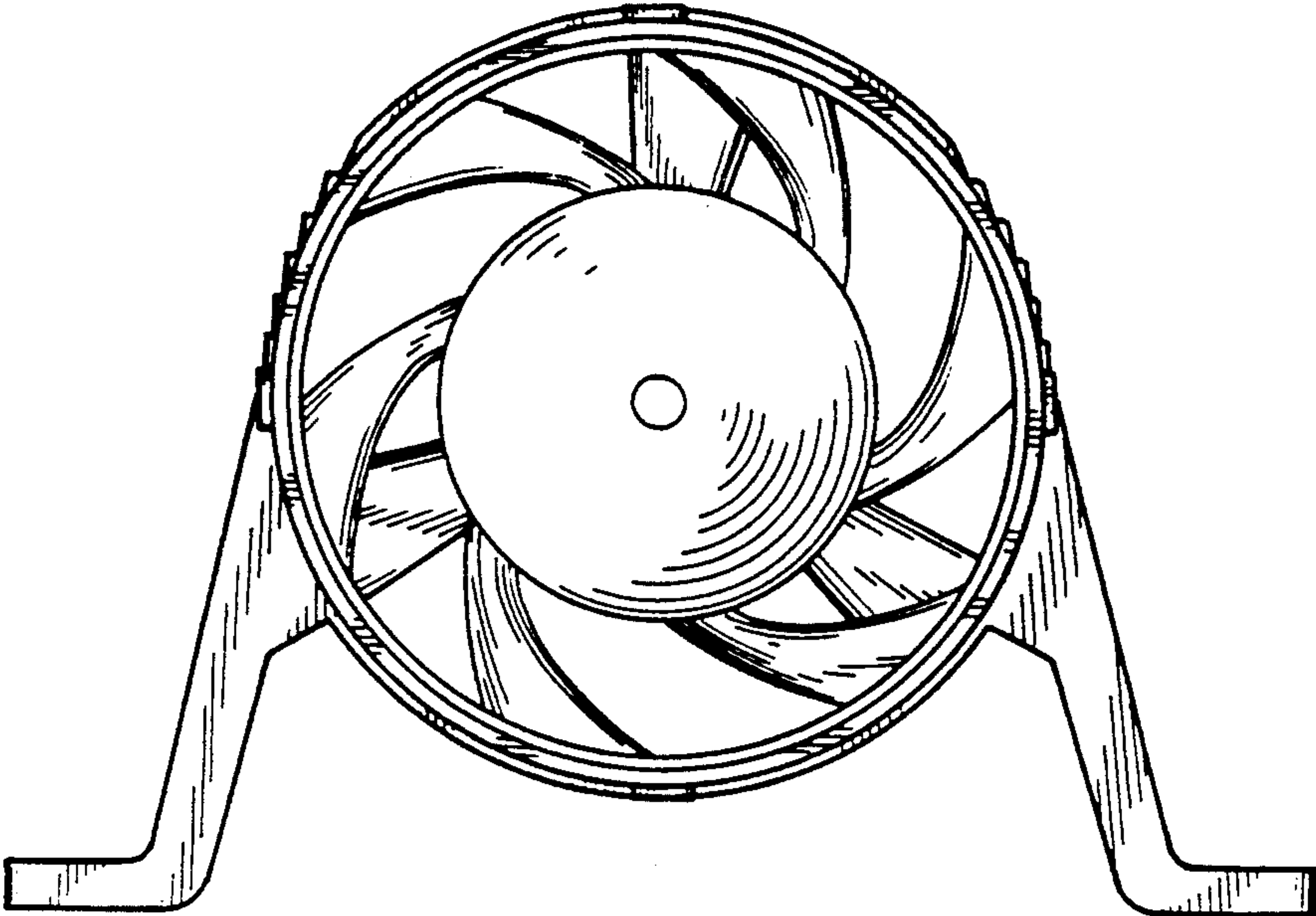


FIG. 3

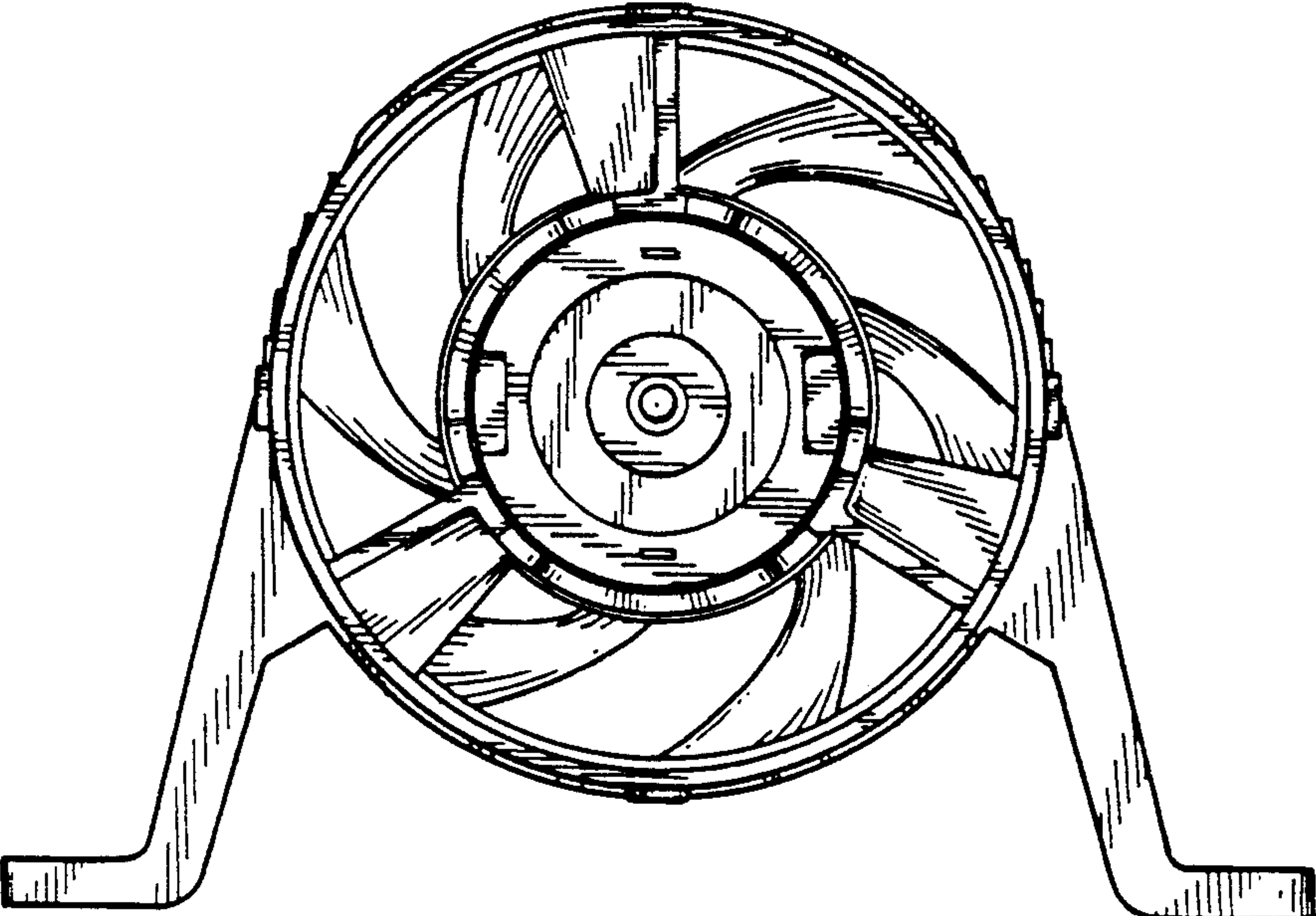


FIG. 4

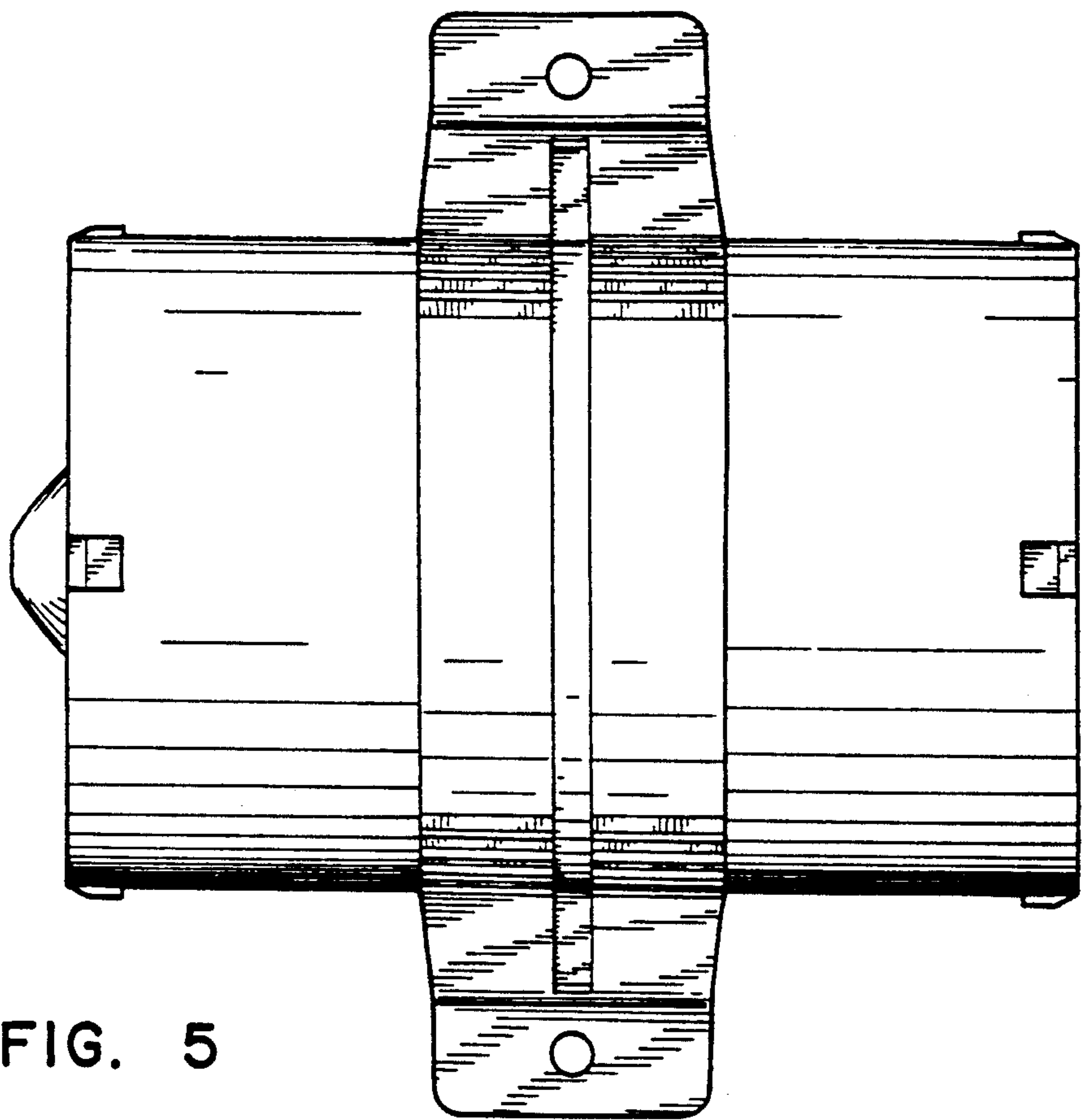


FIG. 5

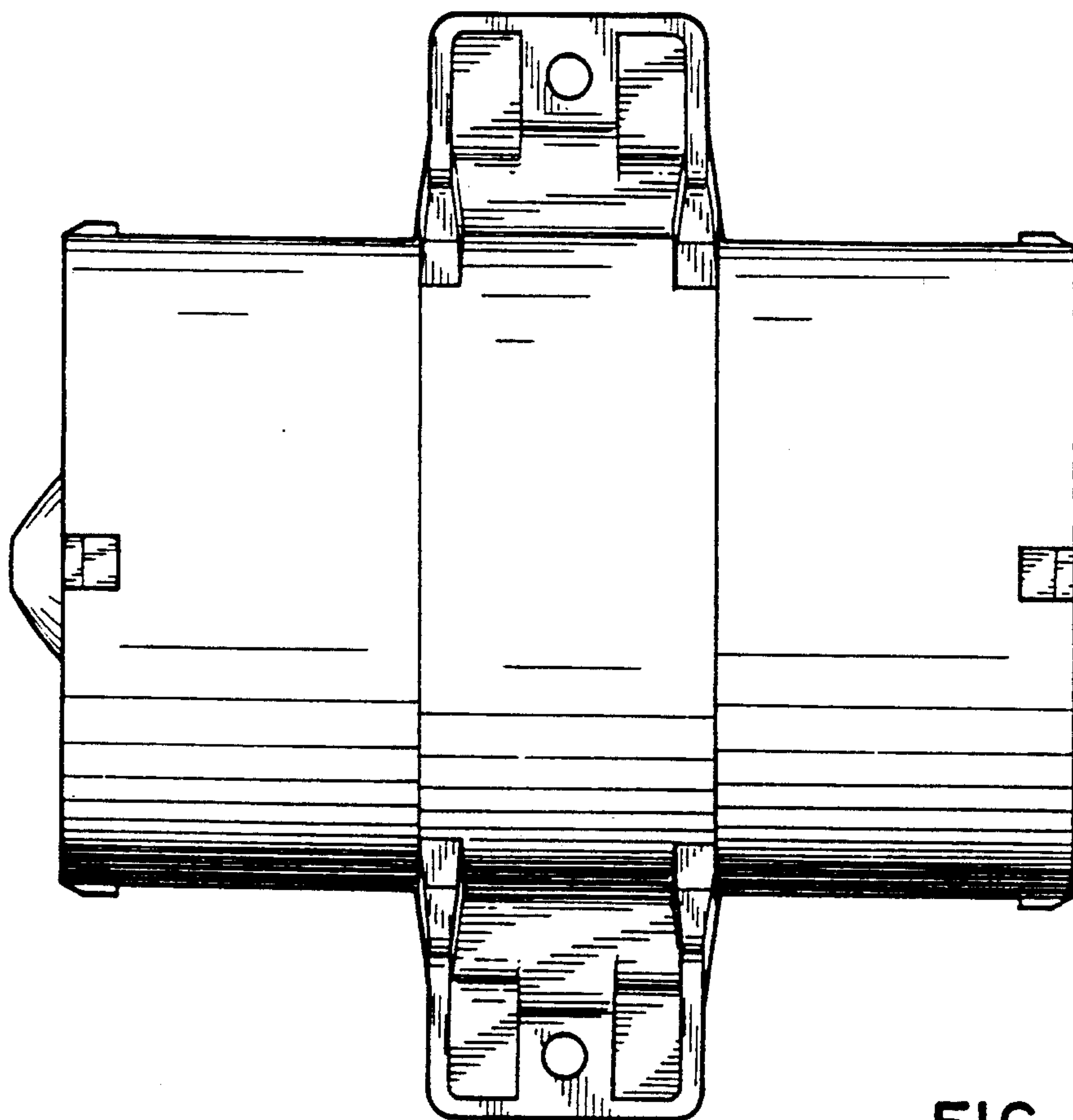


FIG. 6