



US00D342074S

United States Patent [19] Burns

[11] Patent Number: **Des. 342,074**

[45] Date of Patent: **** Dec. 7, 1993**

[54] **VERTICAL AXLE WINDMILL**

[76] Inventor: **Charles A. Burns**, 103-10 29th Ave.,
East Elmhurst, N.Y. 11369

[**] Term: **14 Years**

[21] Appl. No.: **726,514**

[22] Filed: **Jul. 8, 1991**

[52] U.S. Cl. **D15/1; D25/1**

[58] Field of Search **D15/1-5;**
416/117 B, 118, 119; D25/1; D21/119

4,218,183 8/1980 Dall-Winther 416/119
 4,776,762 10/1988 Blowers 416/119
 4,799,860 1/1989 Martin 416/119
 4,886,421 12/1989 Danson 416/119

FOREIGN PATENT DOCUMENTS

2121883 1/1984 United Kingdom 416/117

Primary Examiner—A. Hugo Word
Assistant Examiner—R. Seifert
Attorney, Agent, or Firm—Terry M. Gernstein

[57] CLAIM

The ornamental design for a vertical axle windmill, as shown and described.

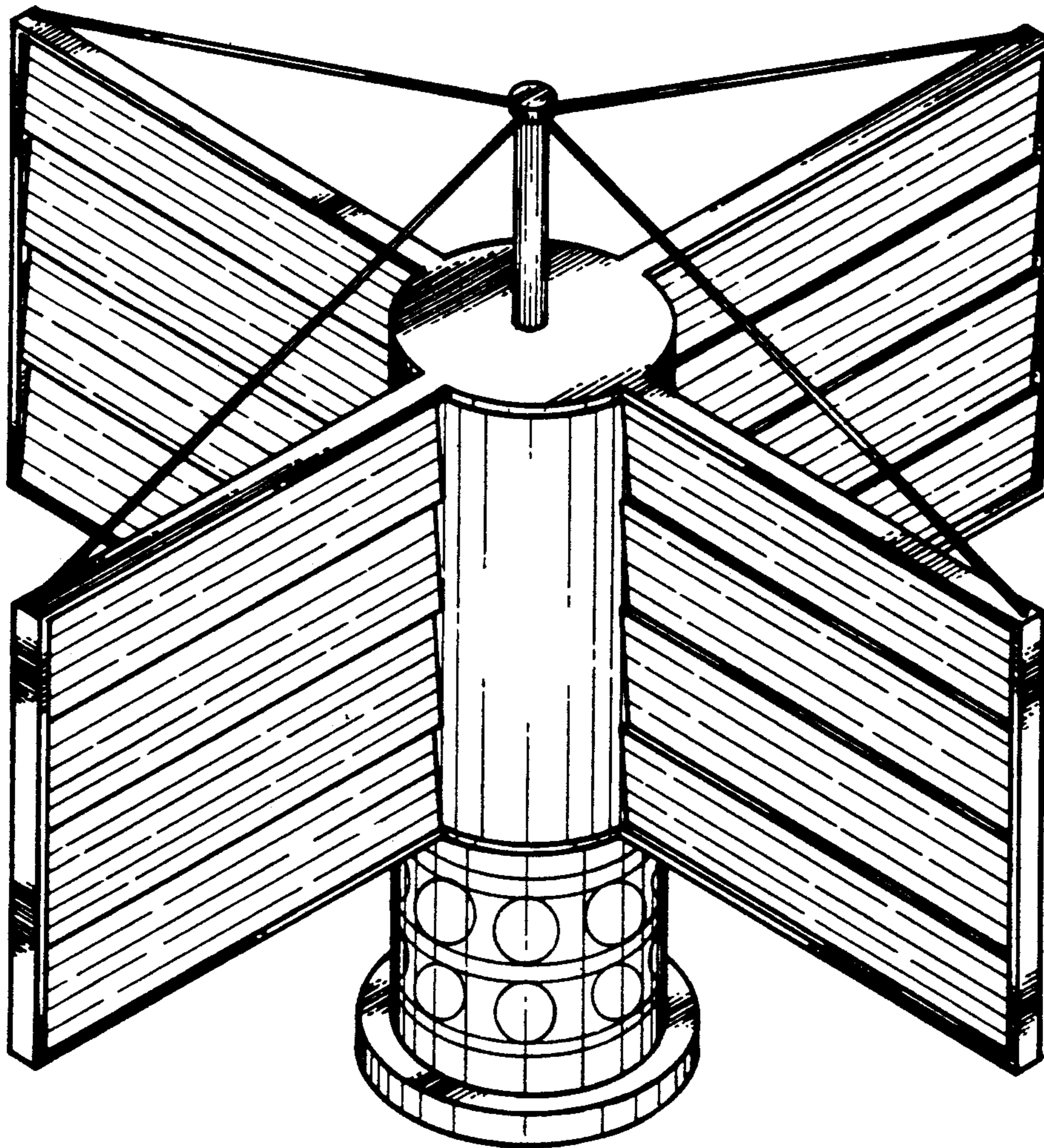
[56] References Cited

U.S. PATENT DOCUMENTS

D. 144,166	3/1946	DuBrie	D15/5
276,079	4/1883	Rousseau	416/118
609,378	8/1890	Weitzel	416/118
685,774	11/1901	Lieske	416/118
846,532	3/1907	Viskochil	416/118
994,765	6/1911	Manning	416/118
1,206,514	11/1916	Crowley	416/118
1,371,204	3/1921	Holt	416/118
2,006,024	6/1935	Lockwood	416/118

DESCRIPTION

FIG. 1 is a perspective view of the vertical axle windmill embodying the design of the present invention; FIG. 2 is a front elevational view thereof, the rear being a mirror image of the front shown in FIG. 2; FIG. 3 is a side elevational view thereof, the side opposite being a mirror image of the side shown in FIG. 3; FIG. 4 is a top plan view thereof; and, FIG. 5 is a bottom view thereof.



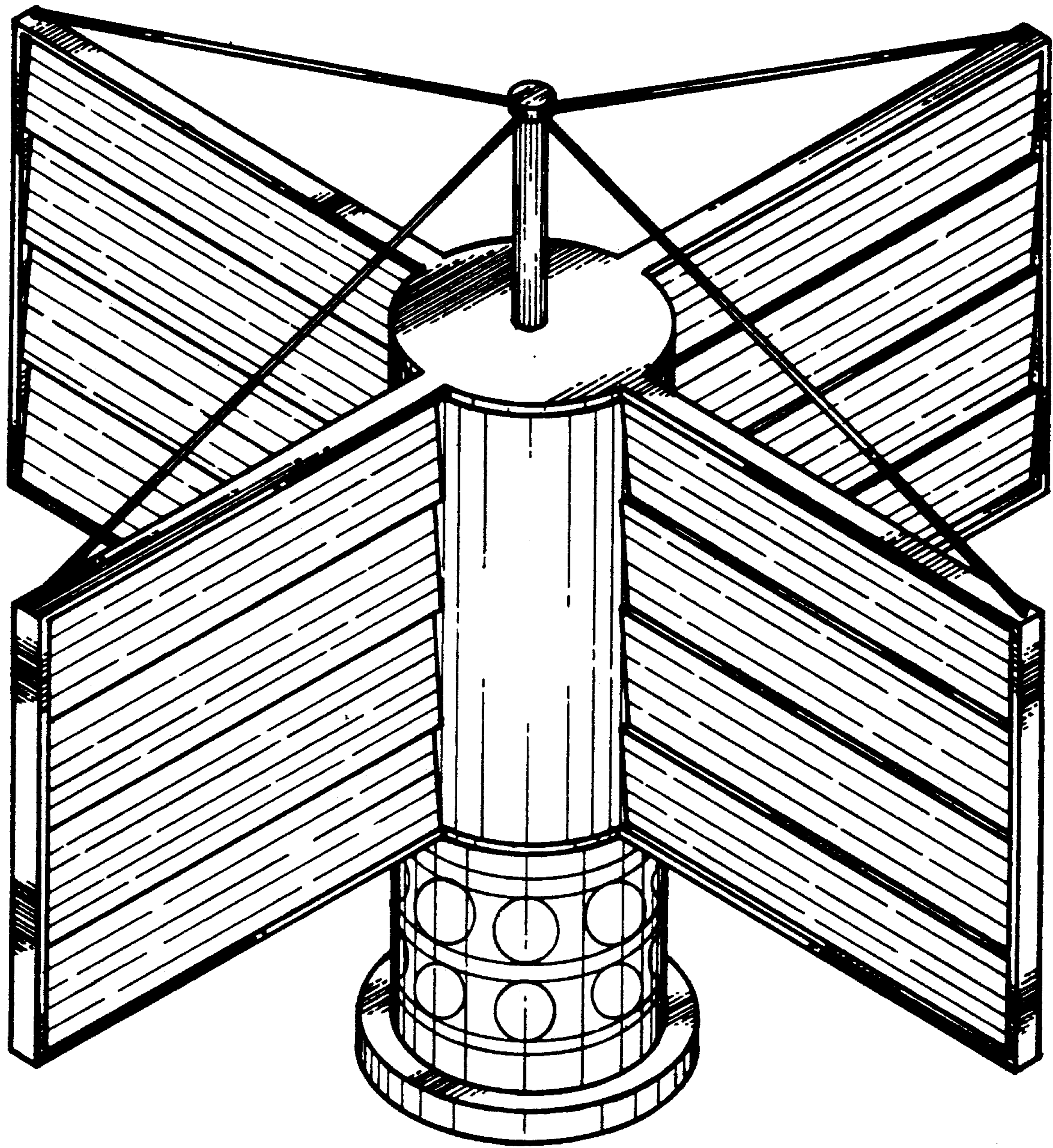


FIG. 1

