



US00D342065S

United States Patent [19] Kim

[11] Patent Number: **Des. 342,065**

[45] Date of Patent: **** Dec. 7, 1993**

[54] TELEVISION SET

[75] Inventor: **Tae B. Kim**, Seoul, Rep. of Korea

[73] Assignee: **Goldstar Co., Ltd.**, Seoul, Rep. of Korea

[**] Term: **14 Years**

[21] Appl. No.: **817,837**

[22] Filed: **Jan. 8, 1992**

[30] Foreign Application Priority Data

Aug. 19, 1991 [KR] Rep. of Korea 12071/1991

[52] U.S. Cl. **D14/126**

[58] Field of Search **D14/124-134, D14/299; 358/60, 237-239, 254-255; 312/7.2**

[56] References Cited

U.S. PATENT DOCUMENTS

D. 290,359 6/1987 Inoue et al. D14/126

D. 311,530 10/1990 Kurozumi et al. D14/126

D. 317,598 6/1991 Park D14/126
D. 317,603 6/1991 Kawanabe D14/133
D. 319,437 8/1991 Kurozumi et al. D14/126
D. 335,665 5/1993 Althans et al. D14/126

Primary Examiner—Theodore M. Shooman
Attorney, Agent, or Firm—Beveridge, DeGrandi,
Weilacher & Young

[57] CLAIM

The ornamental design for television set, as shown and described.

DESCRIPTION

FIG. 1 is a perspective view of the television set in use of the present invention;
FIG. 2 is a front view thereof;
FIG. 3 is a rear view thereof;
FIG. 4 is a left-side elevational view thereof;
FIG. 5 is a right-side elevational view thereof;
FIG. 6 is a top plan view thereof; and,
FIG. 7 is bottom plan view thereof.

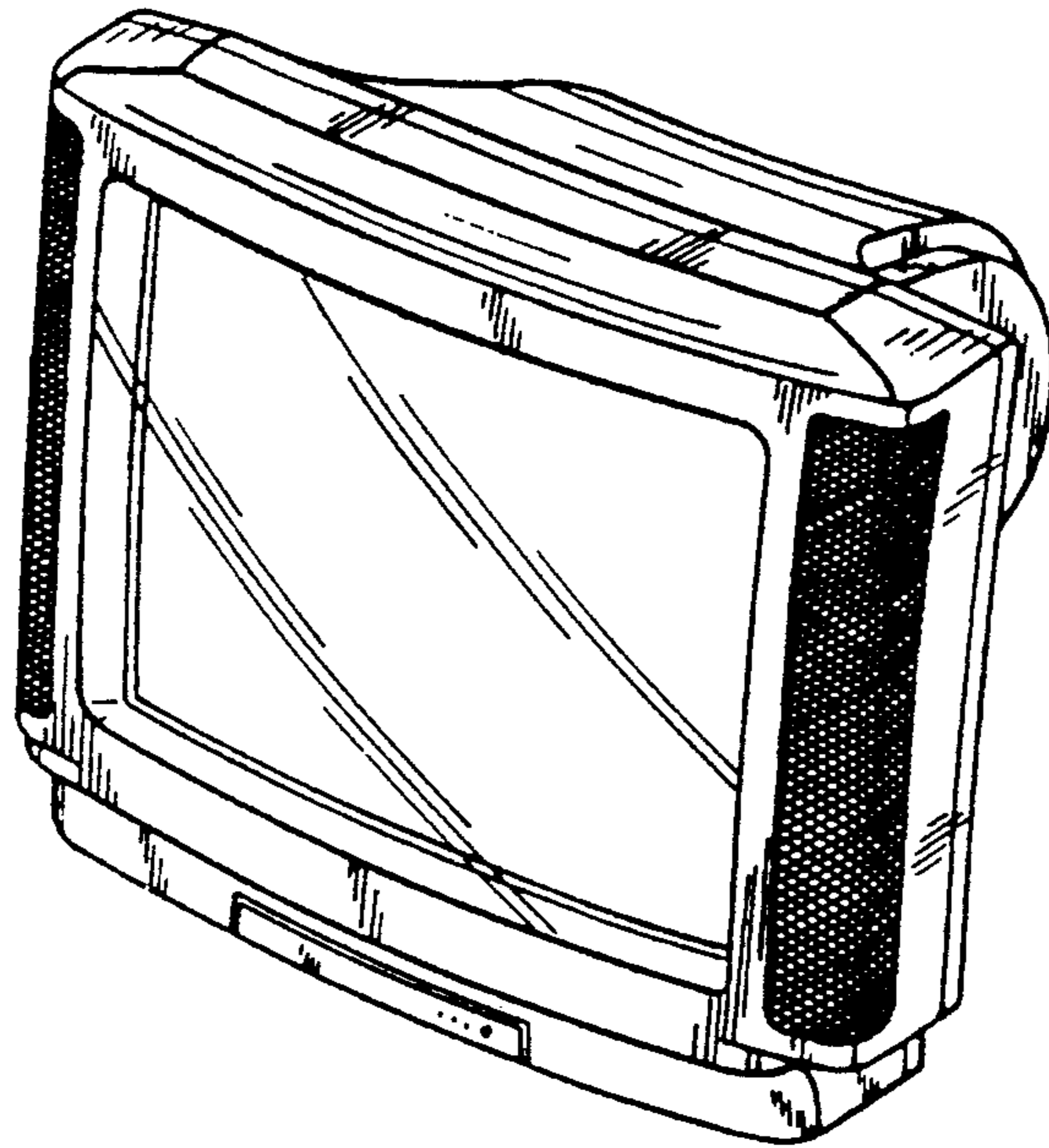


FIG.1

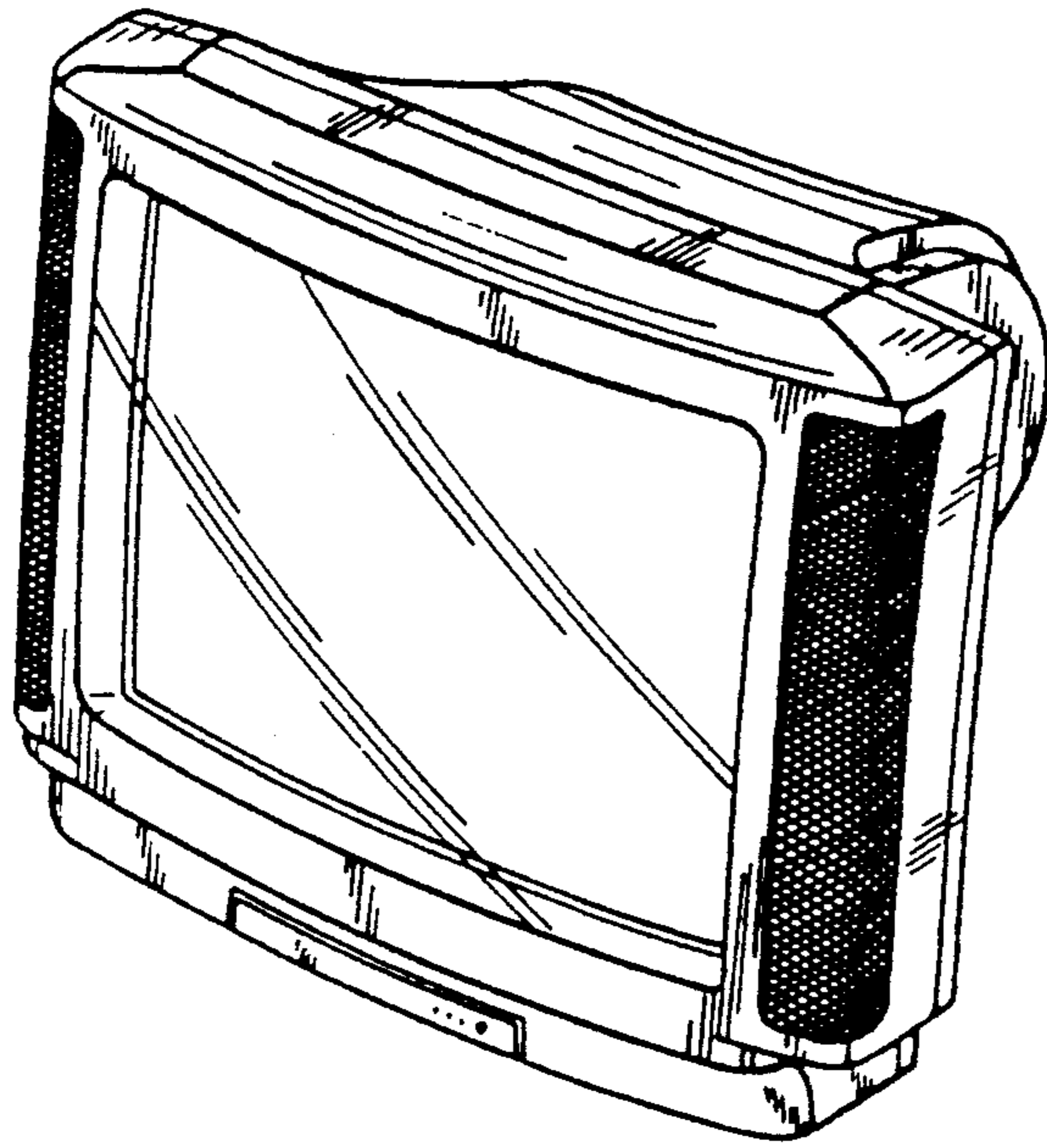


FIG.2

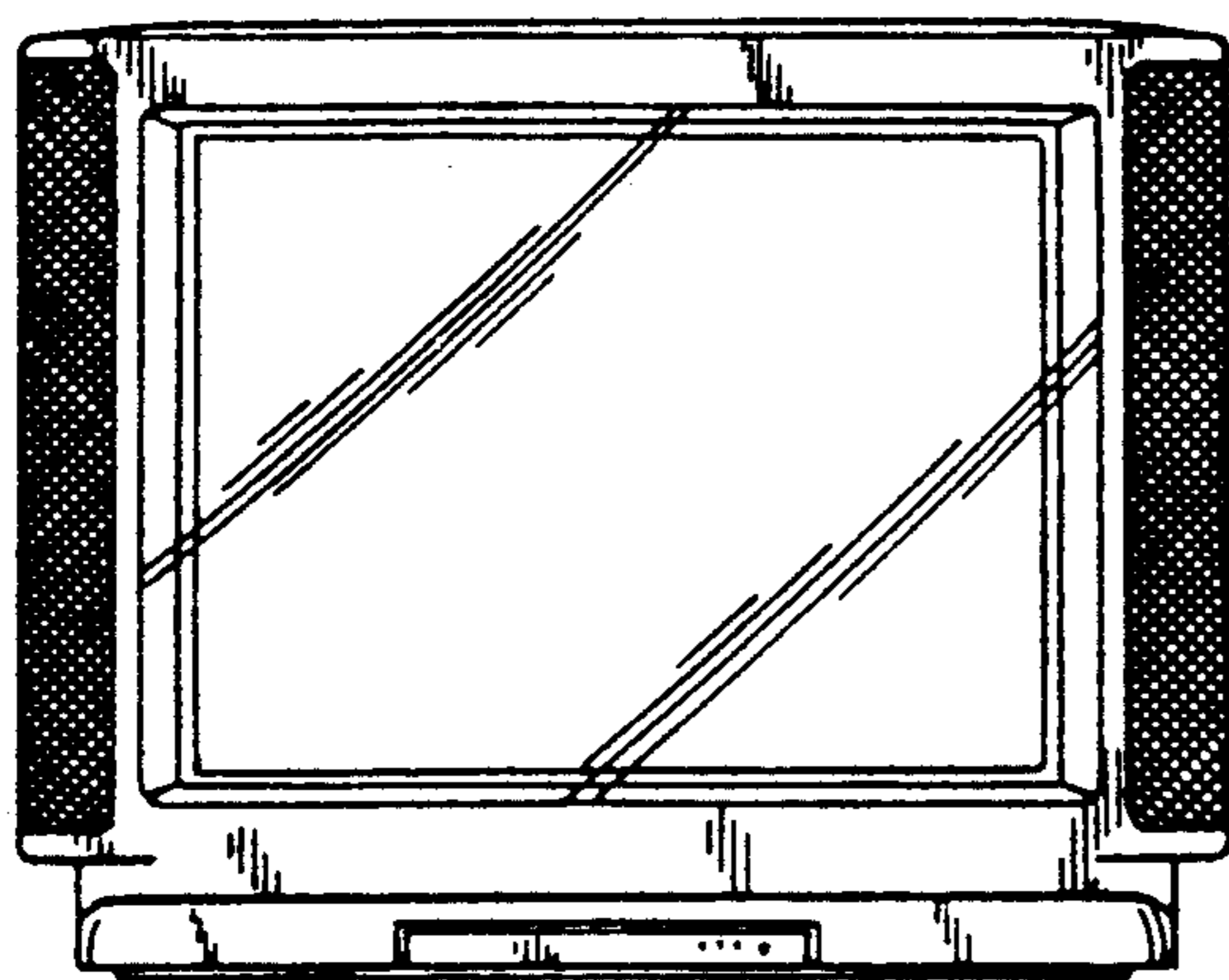


FIG.3

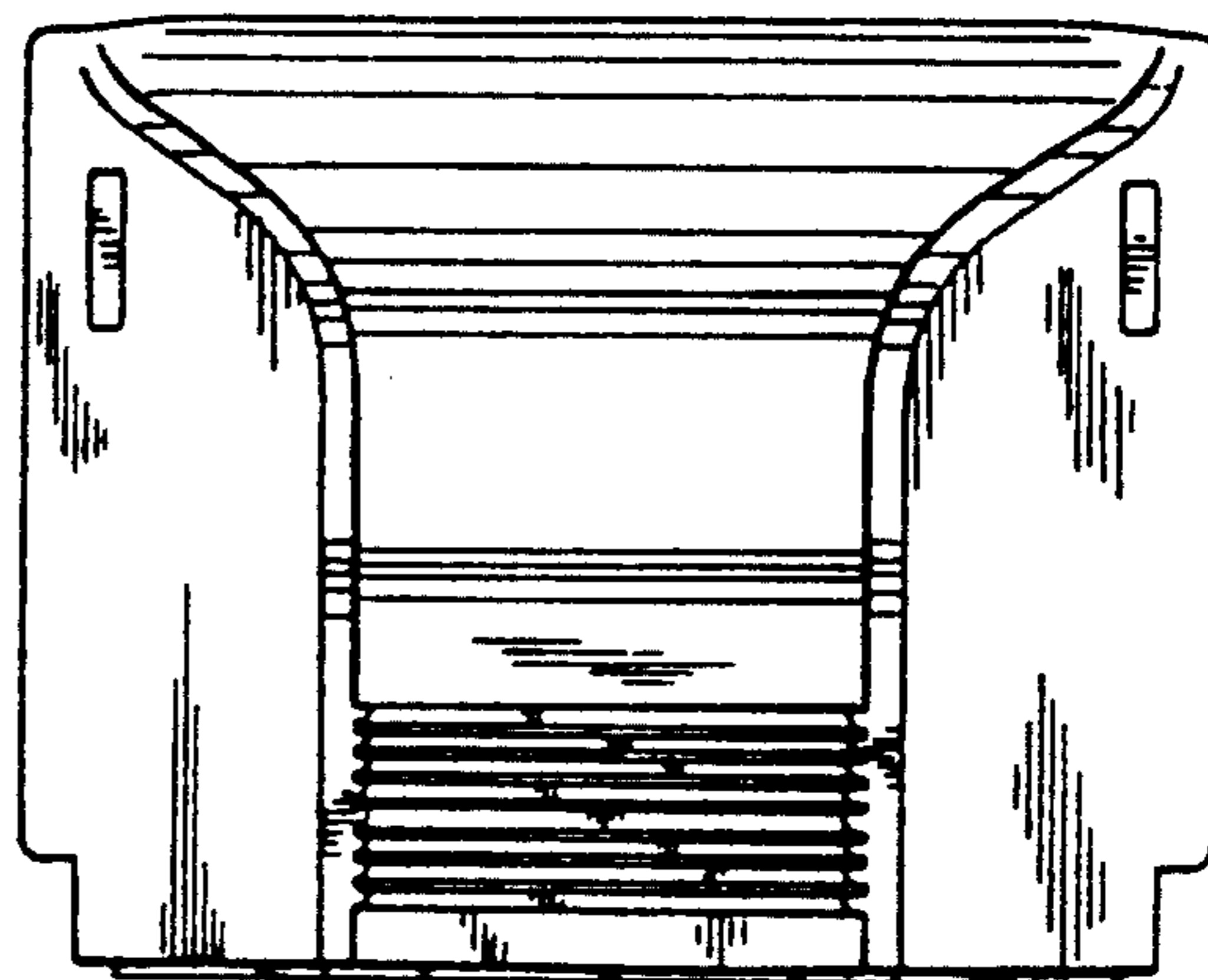


FIG.4

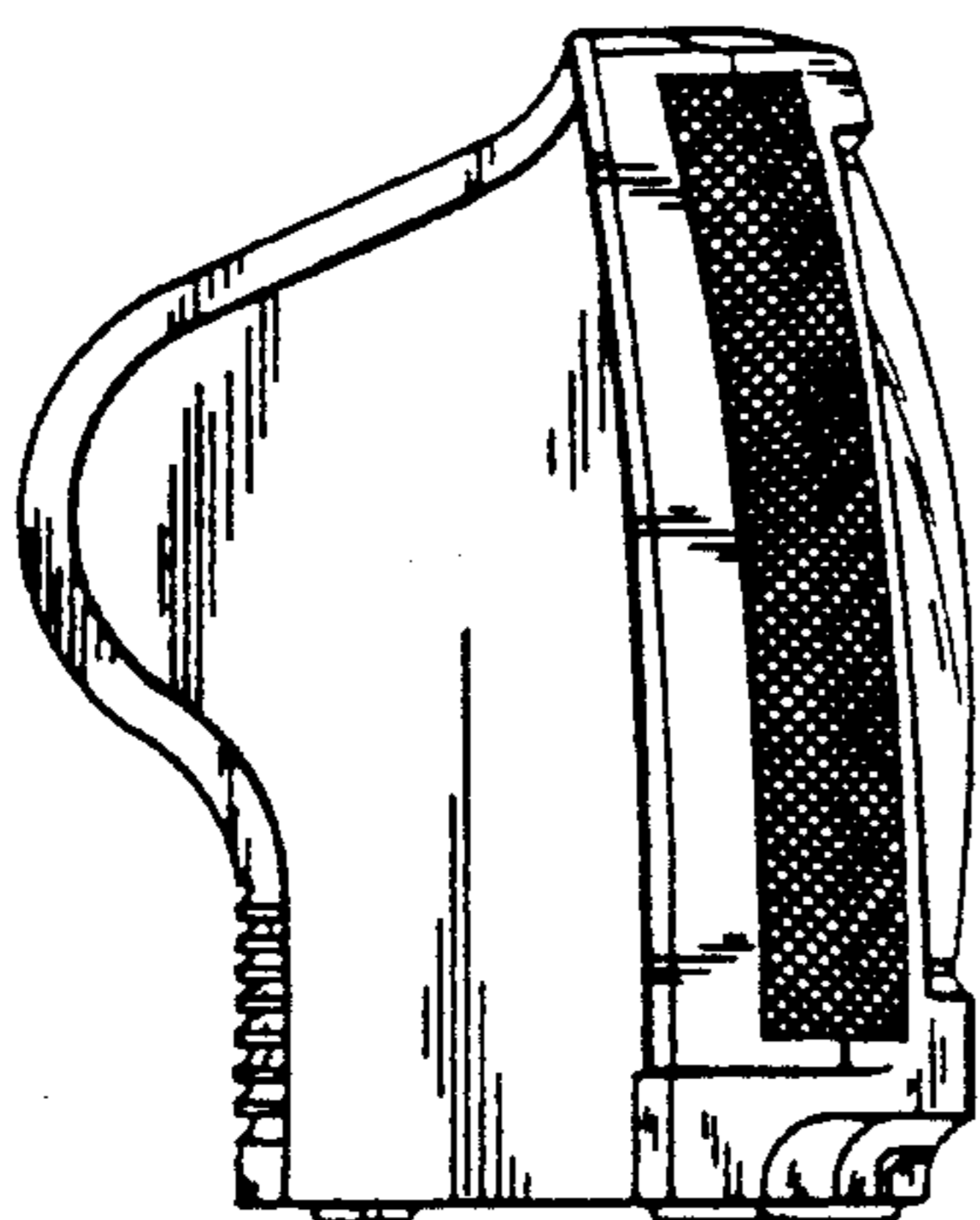


FIG.5

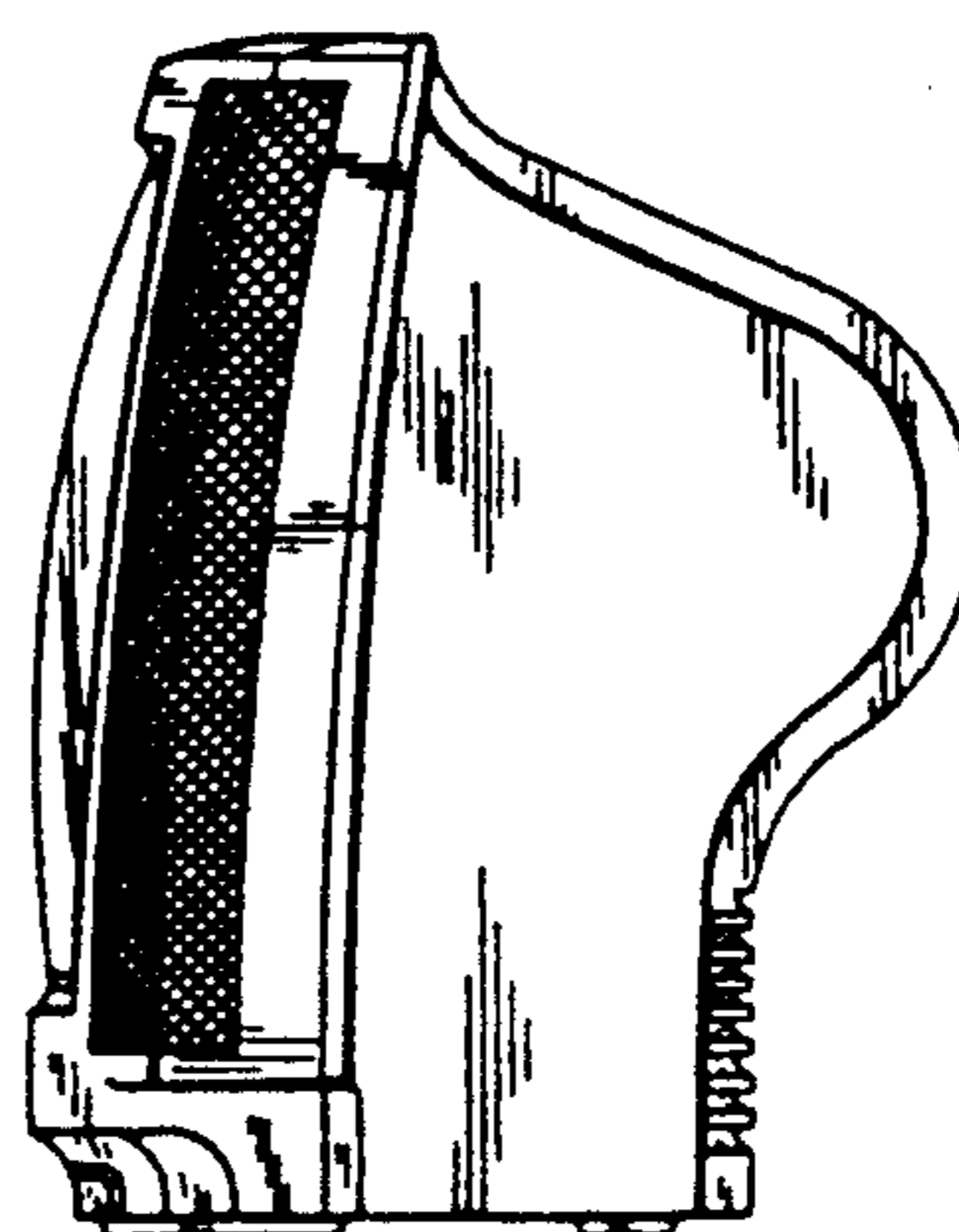


FIG.6

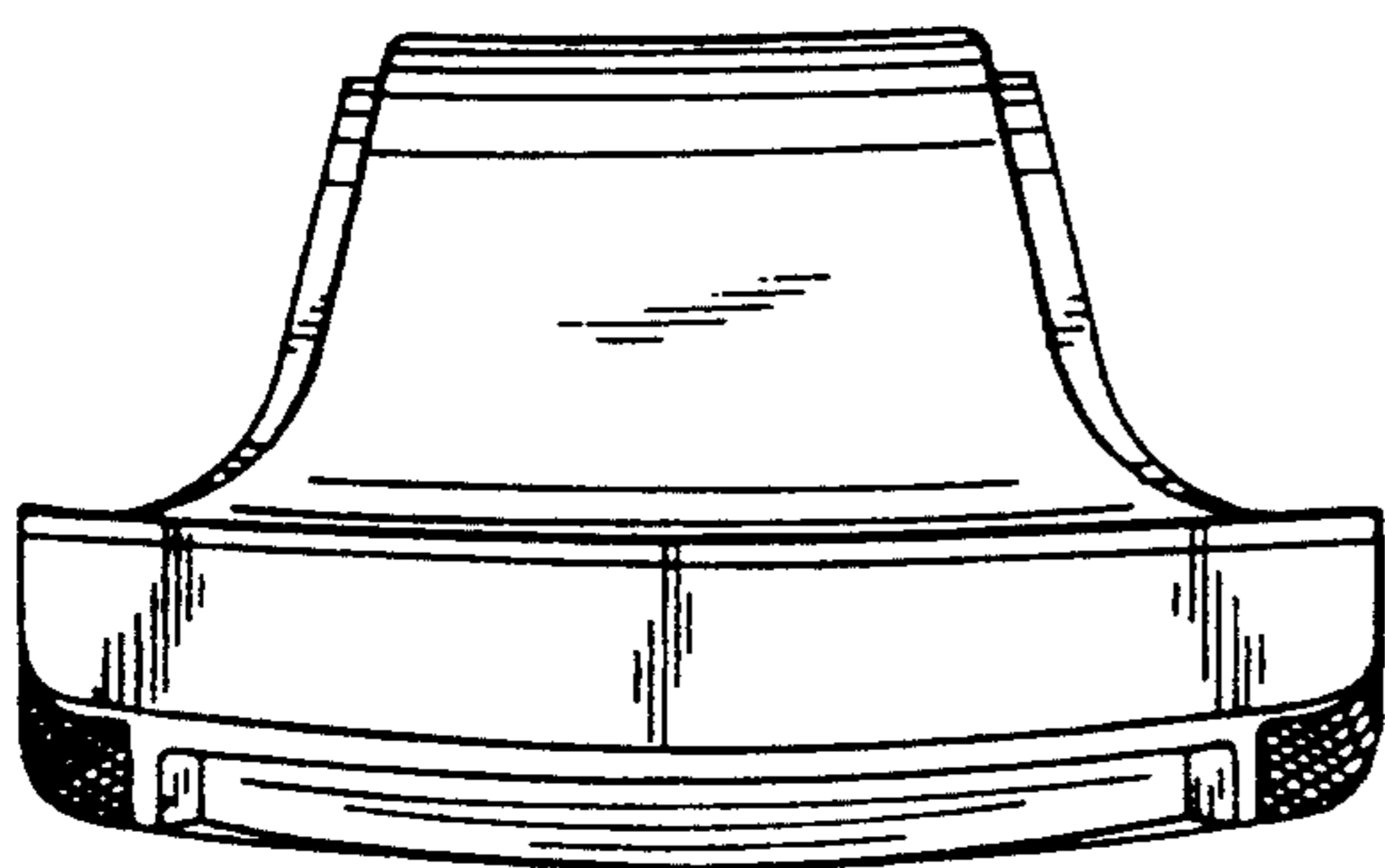


FIG.7

