



US00D342064S

United States Patent [19] Harden

[11] Patent Number: **Des. 342,064**

[45] Date of Patent: **** Dec. 7, 1993**

[54] **OPTICAL SCANNER**

[75] Inventor: **Daniel K. Harden**, Palo Alto, Calif.

[73] Assignee: **Logitech, Inc.**, Fremont, Calif.

[**] Term: **14 Years**

[21] Appl. No.: **748,167**

[22] Filed: **Aug. 21, 1991**

[52] U.S. Cl. **D14/116**

[58] Field of Search **D14/114, 116; 235/454, 235/462, 472, 486; 354/80.2; 250/201.3, 216, 566, 568; D26/37, 45, 50**

[56] **References Cited**

U.S. PATENT DOCUMENTS

- D. 320,013 9/1991 Siemiatkowski et al. D14/116
- D. 325,574 4/1992 Carver D14/116
- 4,818,847 4/1989 Hara et al. 235/472 X

OTHER PUBLICATIONS

Global Catalog item: Scanners, p. 48, Jul. 1989.

Mislo Computer Supply Catalog Item Logitech Scanner, p. 125, 1989.

Softwarehouse Catalog item Hand Held Scanner, p. 31, Winter '89-'90.

Primary Examiner—Wallace R. Burke

Assistant Examiner—M. H. Tung

Attorney, Agent, or Firm—Townsend and Townsend Khourie and Crew

[57] **CLAIM**

The ornamental design for an optical scanner, as shown and described.

DESCRIPTION

FIG. 1 is a perspective view of an optical scanner showing my new design on a reduced scale;

FIG. 2 is a top plan view thereof;

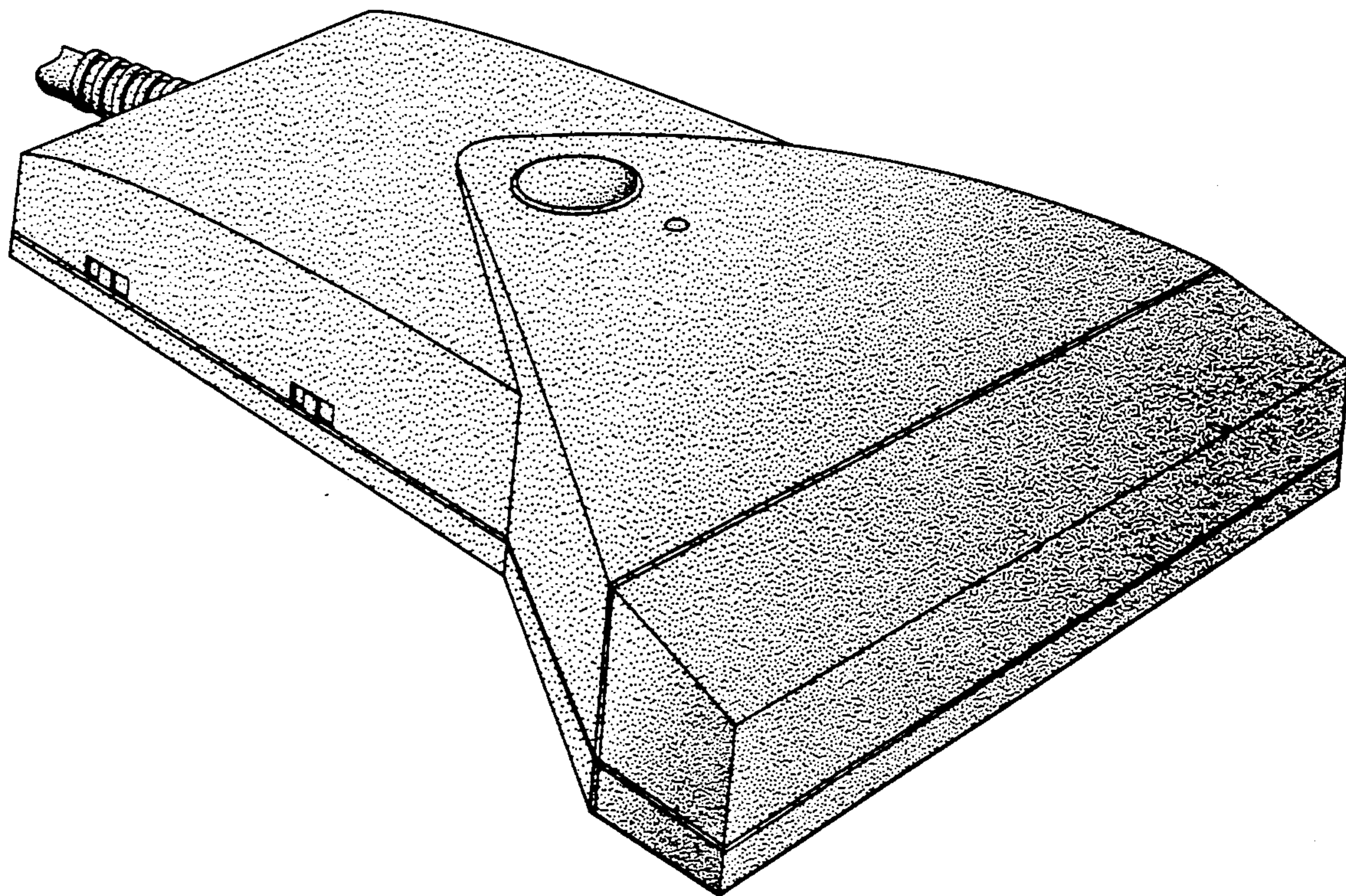
FIG. 3 is a front elevational view thereof;

FIG. 4 is a bottom plan view thereof;

FIG. 5 is a rear elevational view thereof;

FIG. 6 is a right side elevational view thereof; and,

FIG. 7 is a left side elevational view thereof.



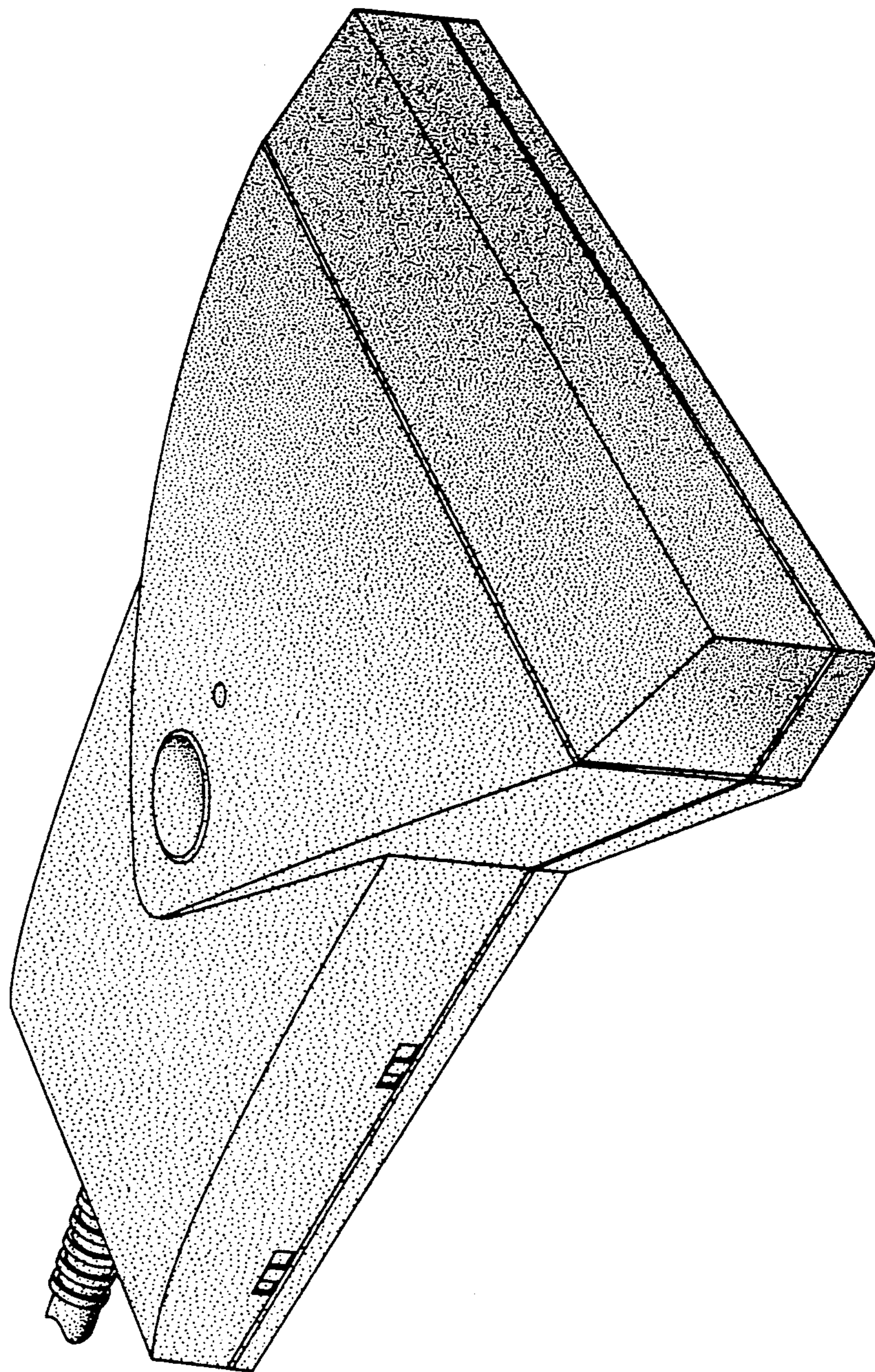


FIG. 1

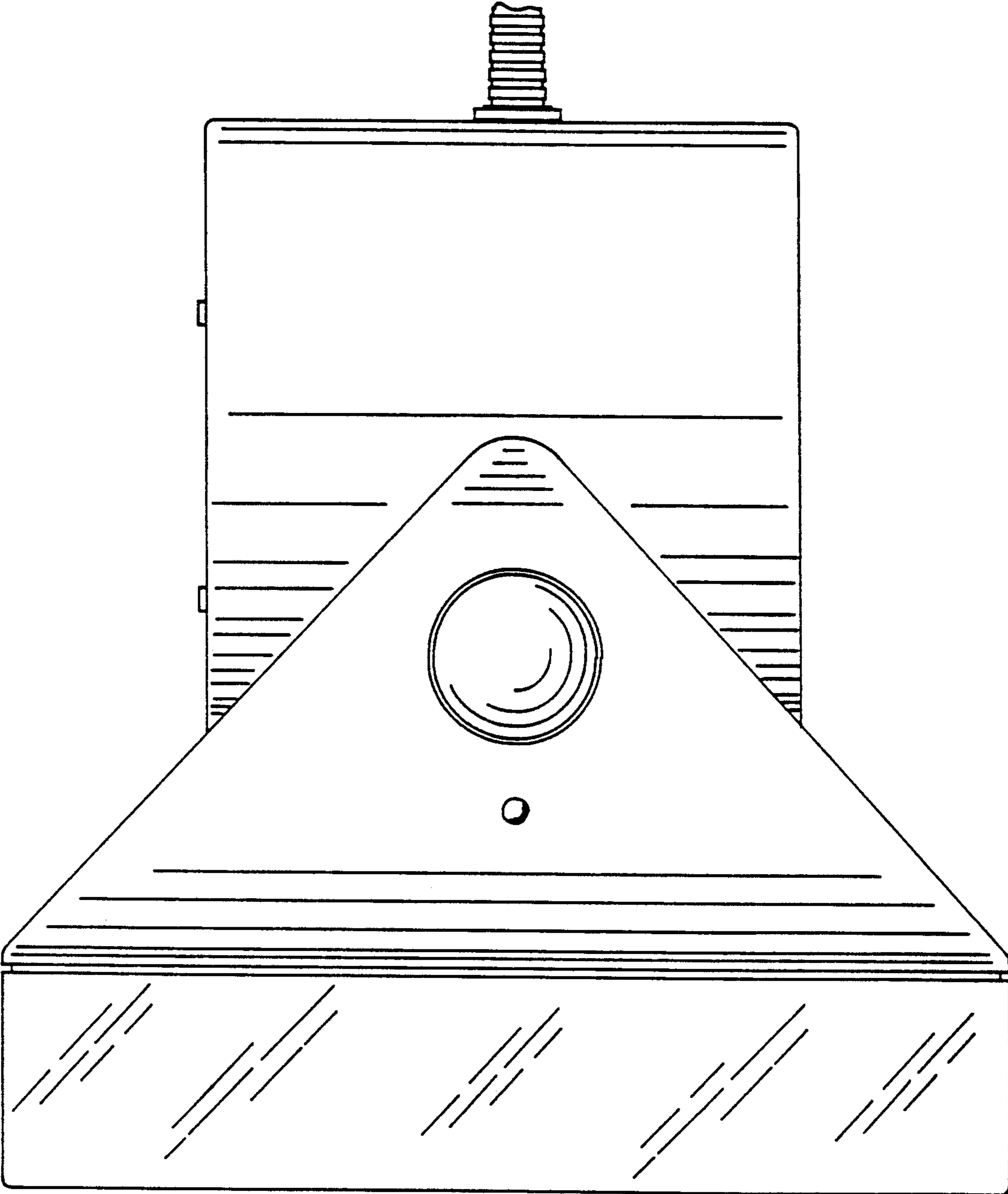


FIG. -2

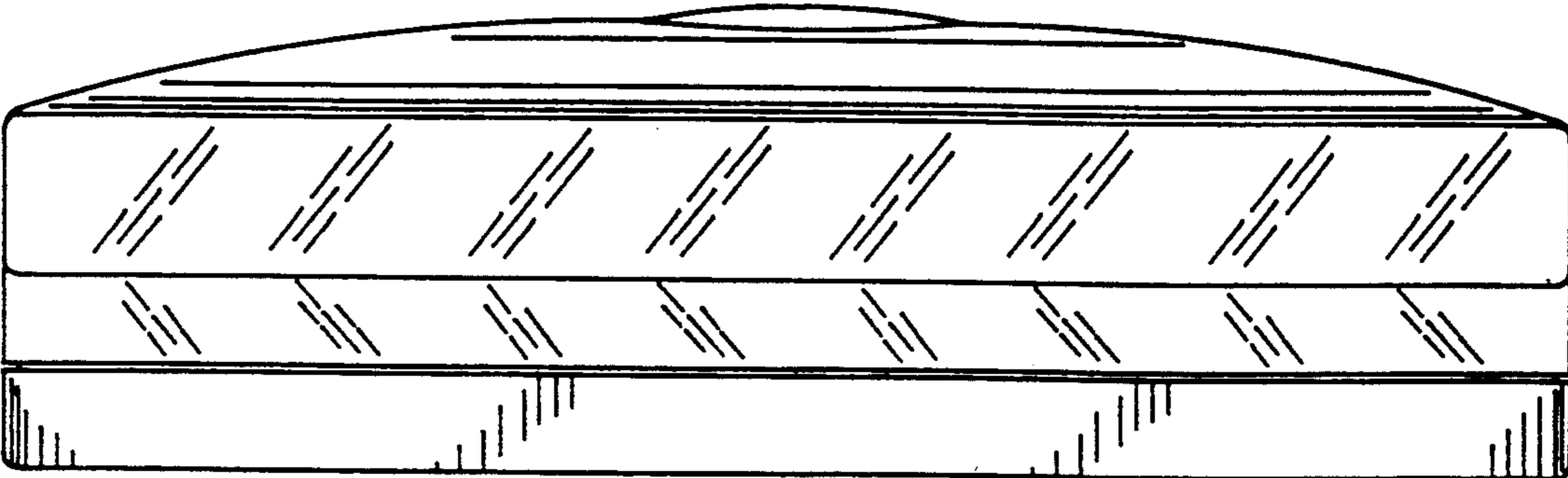


FIG. -3

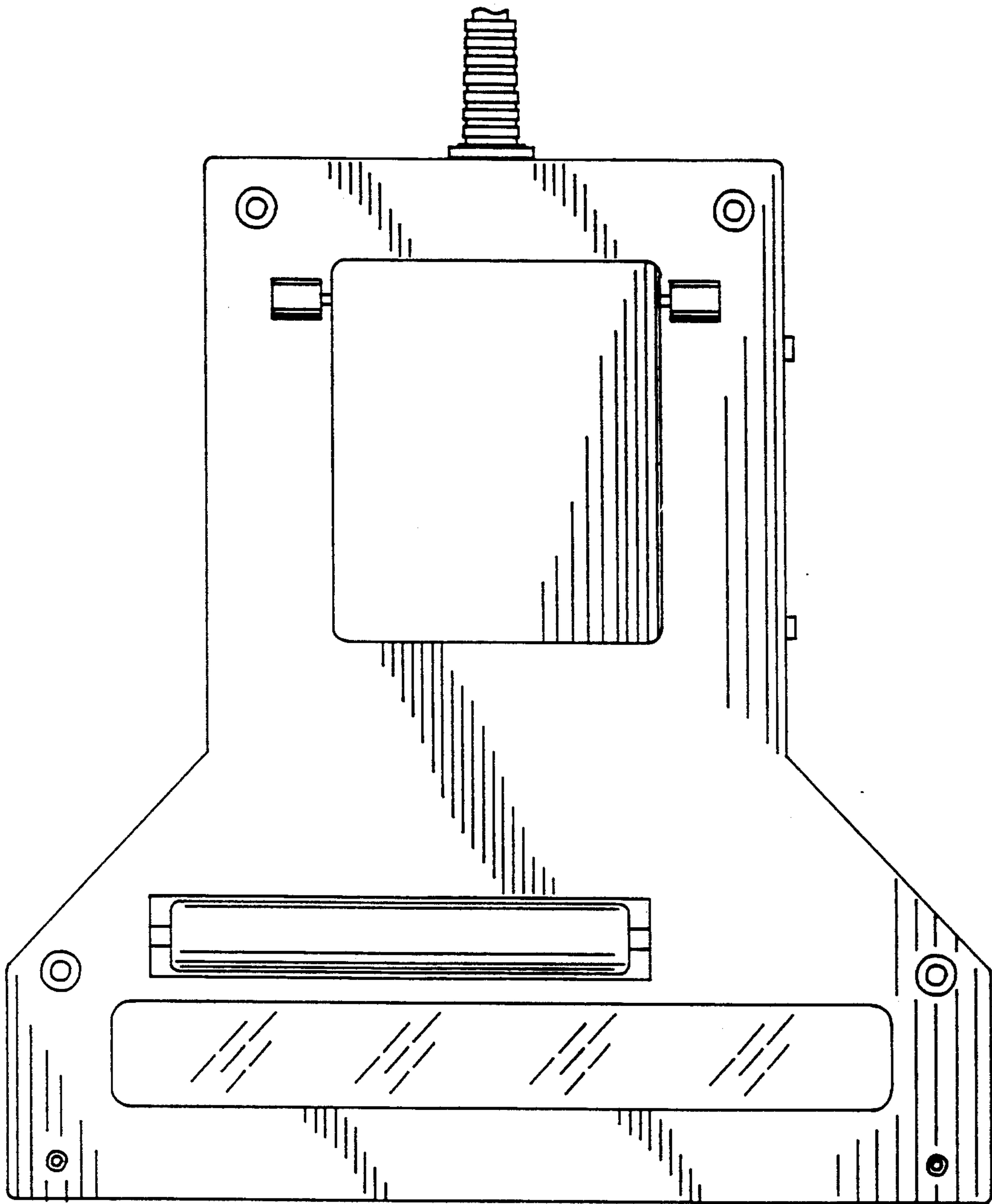


FIG. -4

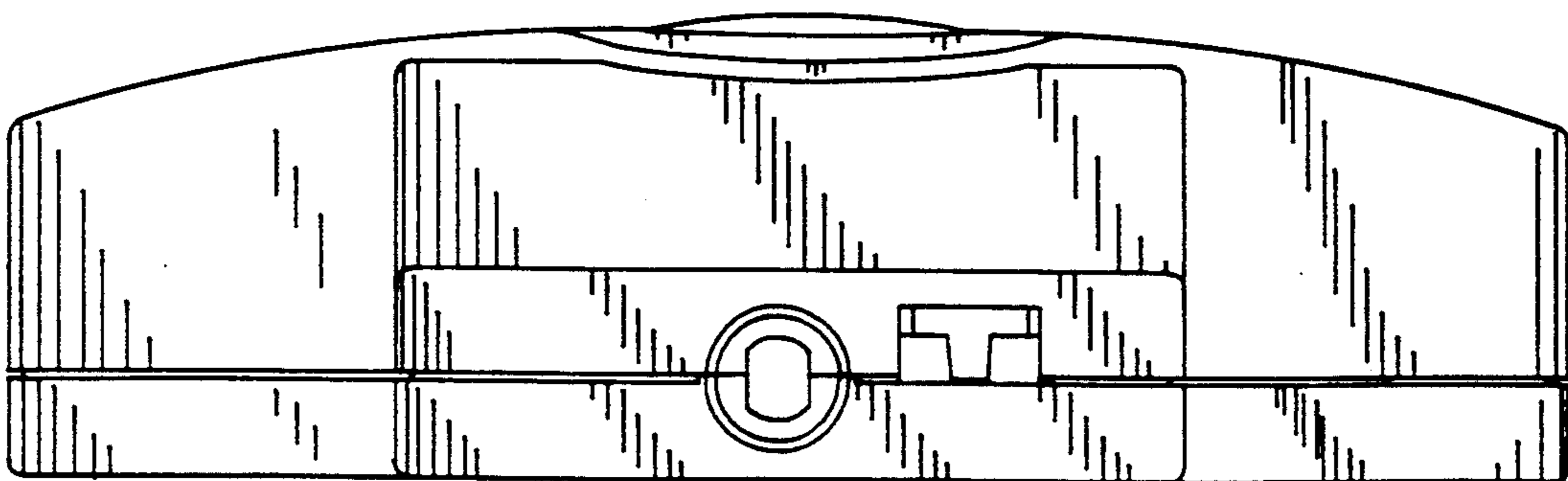


FIG. -5

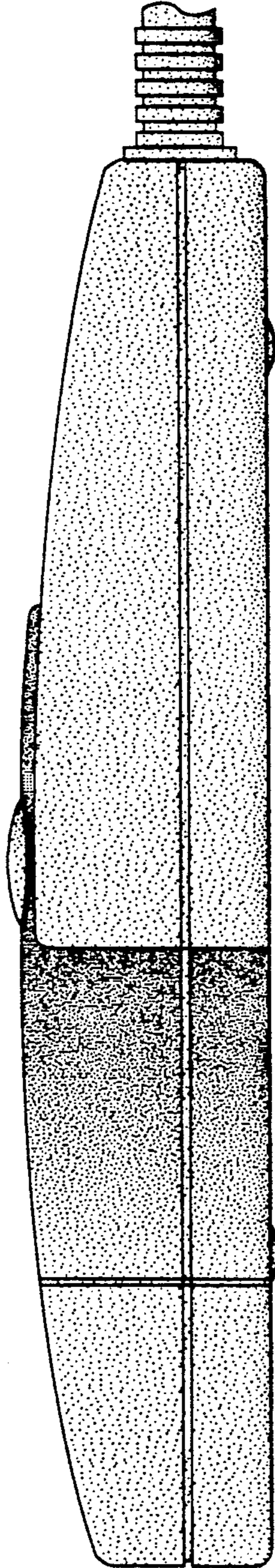


FIG. 6

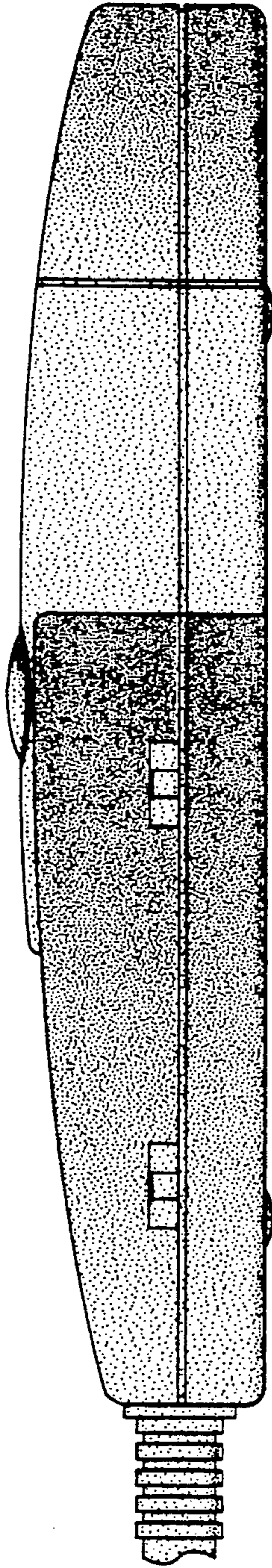


FIG. 7