



US00D342063S

United States Patent [19]

Howitt et al.

[11] Patent Number: **Des. 342,063**

[45] Date of Patent: **** Dec. 7, 1993**

[54] **COMBINED ANTIGLARE MONITOR FILTER AND HOLDER**

[75] Inventors: **Robert Howitt, Leominster, Mass.; Edward L. Hames, Peterborough, N.H.**

[73] Assignee: **Curtis Manufacturing Company, Inc., Jaffrey, N.H.**

[**] Term: **14 Years**

[21] Appl. No.: **943,450**

[22] Filed: **Sep. 10, 1992**

4,529,268	7/1985	Brown .	
4,577,928	3/1986	Brown	359/609 X
4,712,870	12/1987	Robinson et al. .	
4,902,078	2/1990	Judd .	
4,930,871	6/1990	Tannahill .	
4,958,907	9/1990	Davis	359/809
5,035,392	7/1991	Gross .	
5,076,665	12/1991	Petersen .	

FOREIGN PATENT DOCUMENTS

A20331349	9/1989	European Pat. Off. .
A20385037	9/1989	European Pat. Off. .
A30331349	9/1989	European Pat. Off. .
A30385037	9/1989	European Pat. Off. .

Primary Examiner—Wallace R. Burke
Assistant Examiner—M. H. Tung
Attorney, Agent, or Firm—Richard P. Crowley

Related U.S. Application Data

[63] Continuation of Ser. No. 706,078, May 28, 1991, Pat. No. Des. 331,397, which is a continuation-in-part of Ser. No. 677,143, Mar. 29, 1991, abandoned.

[52] U.S. Cl. **D14/114**

[58] Field of Search **D14/239, 113-114; D18/12; 358/64, 231, 250, 252, 255; 359/601, 608-610, 614, 599, 894; 248/316.1, 316.5, 316.7, 298, 917-924; D16/135; D8/354, 373**

[56] References Cited

U.S. PATENT DOCUMENTS

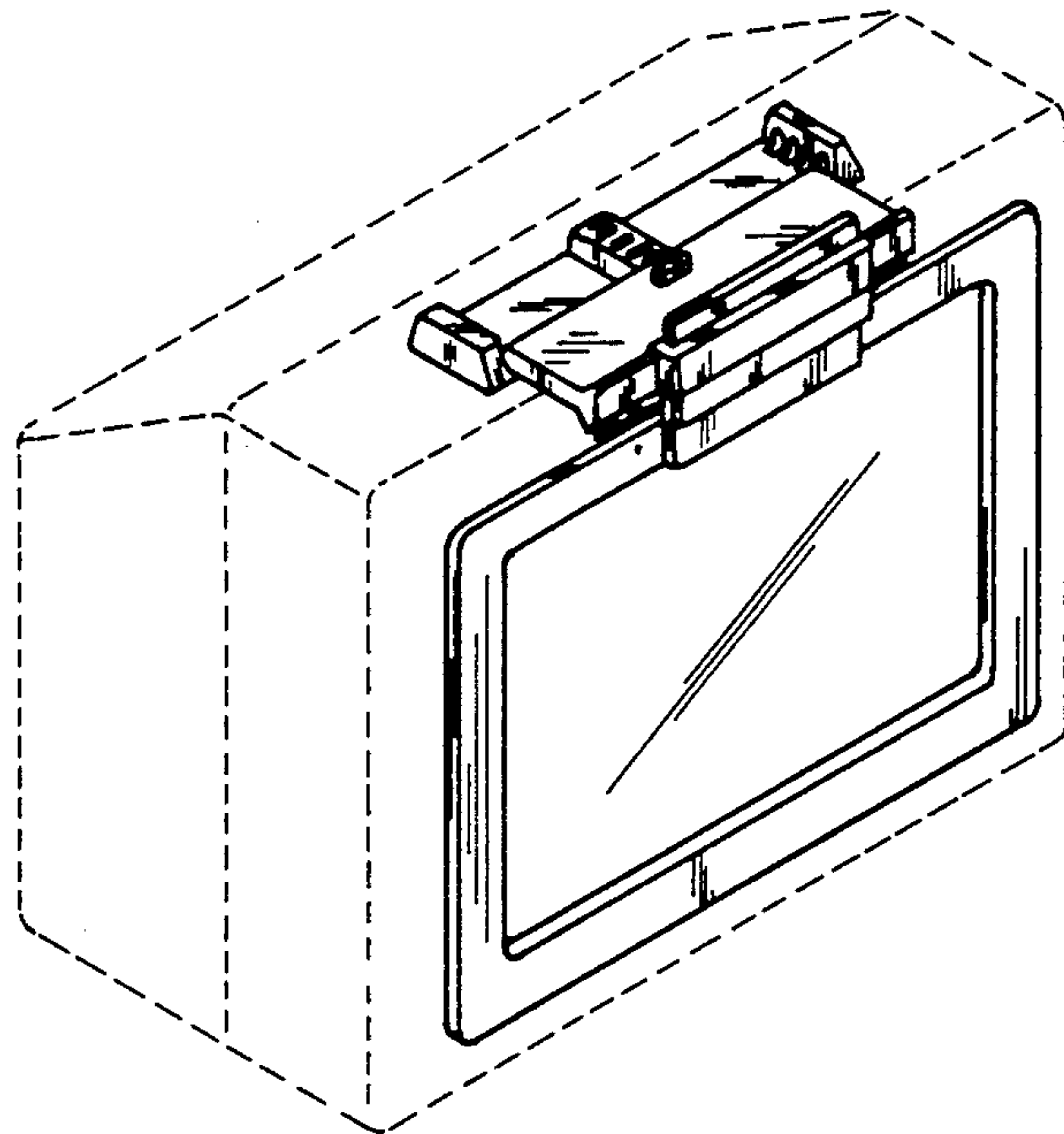
D. 291,279	8/1987	Bergeron	D8/354 X
D. 298,250	10/1988	Kildall	D14/114
D. 298,604	11/1988	Newton	D8/354 X
D. 309,607	7/1990	Nemeth	D14/114
1,044,704	11/1912	Stoddard .	
1,470,553	10/1923	Church	248/293 X
1,605,682	11/1926	Mewborn .	
1,666,568	6/1927	Jackson .	
1,807,256	5/1931	Ryder .	
1,853,943	4/1932	Tate .	
4,051,535	9/1977	Inglis .	

[57] CLAIM

The ornamental design for a combined antiglare monitor filter and holder, as shown and described.

DESCRIPTION

FIG. 1 is a perspective view of a combined antiglare monitor filter and holder, the broken line drawing of a monitor is for illustrative purposes only and forms no part of the claimed design, on a reduced scale; FIG. 2 is a top perspective view thereof, the filter holder shown separately for clarity of illustration; FIG. 3 is a top plan view thereof; FIG. 4 is a front elevational view thereof; FIG. 5 is a side elevational view thereof, the opposite side being a mirror image; FIG. 6 is a rear elevational view thereof; FIG. 7 is a bottom plan view thereof; FIG. 8 is a side elevational view thereof, the opposite side view being a mirror image; and, FIG. 9 is a top plan view thereof.



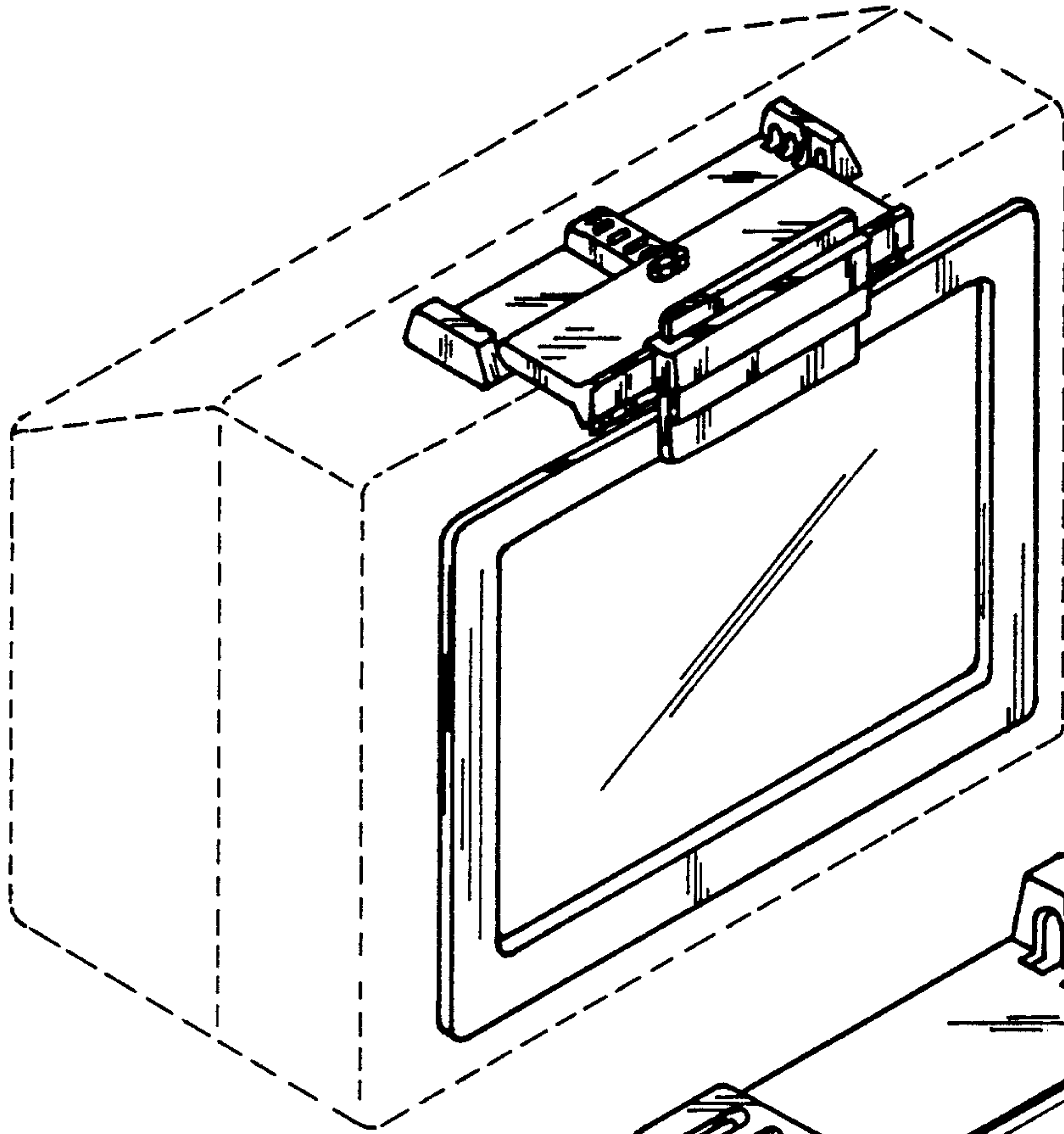


FIG. 1

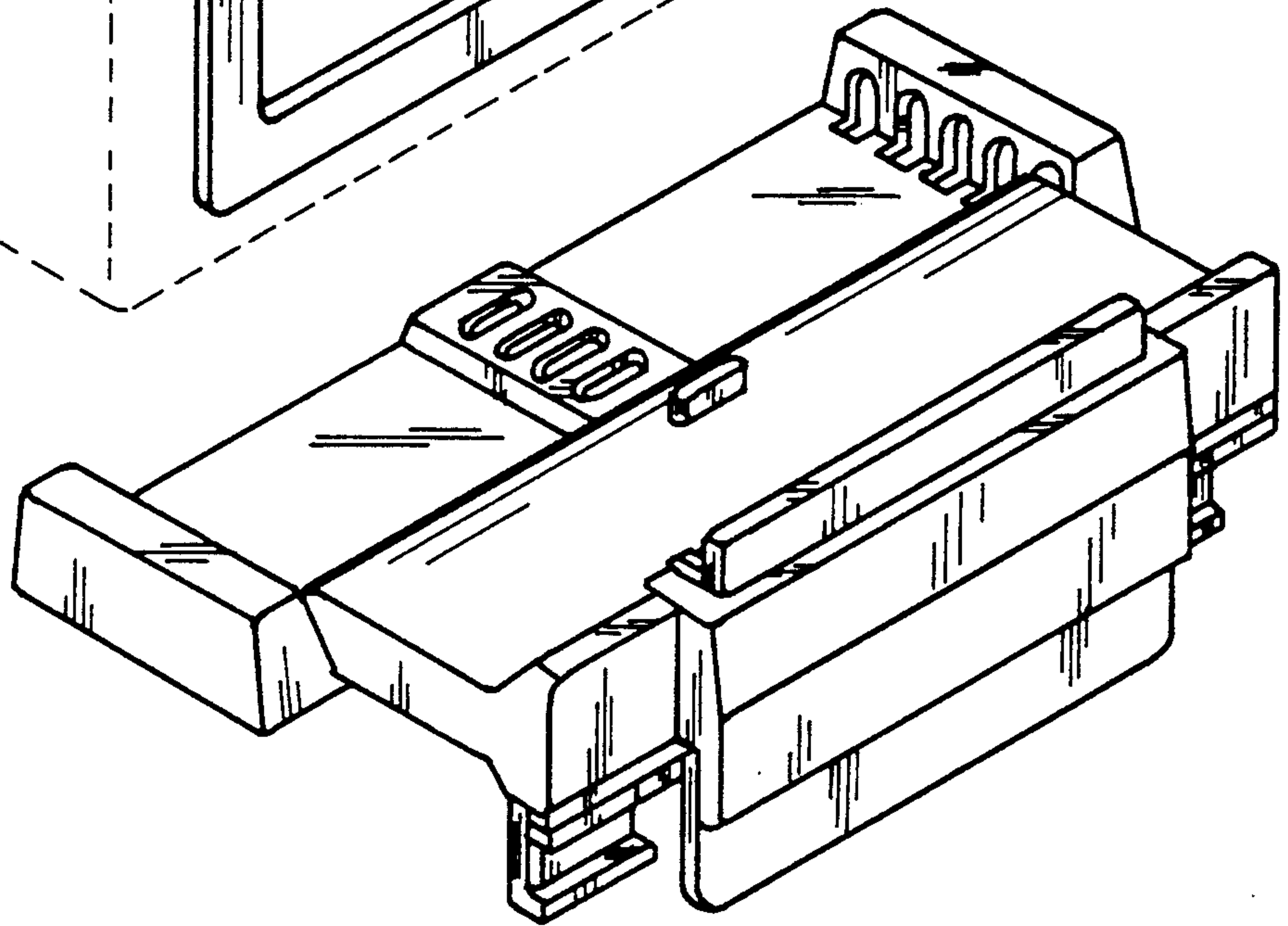


FIG. 2

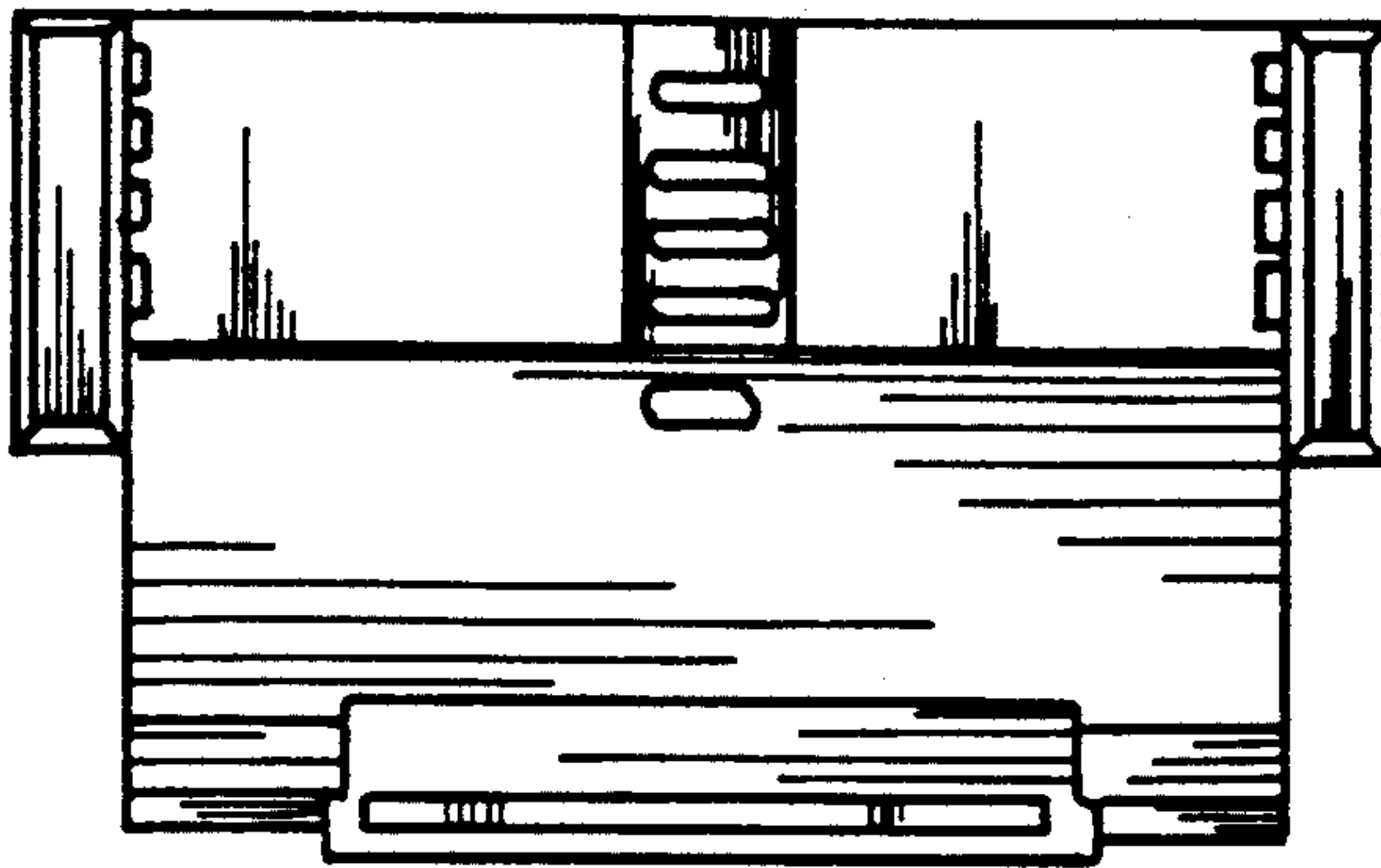


FIG. 3

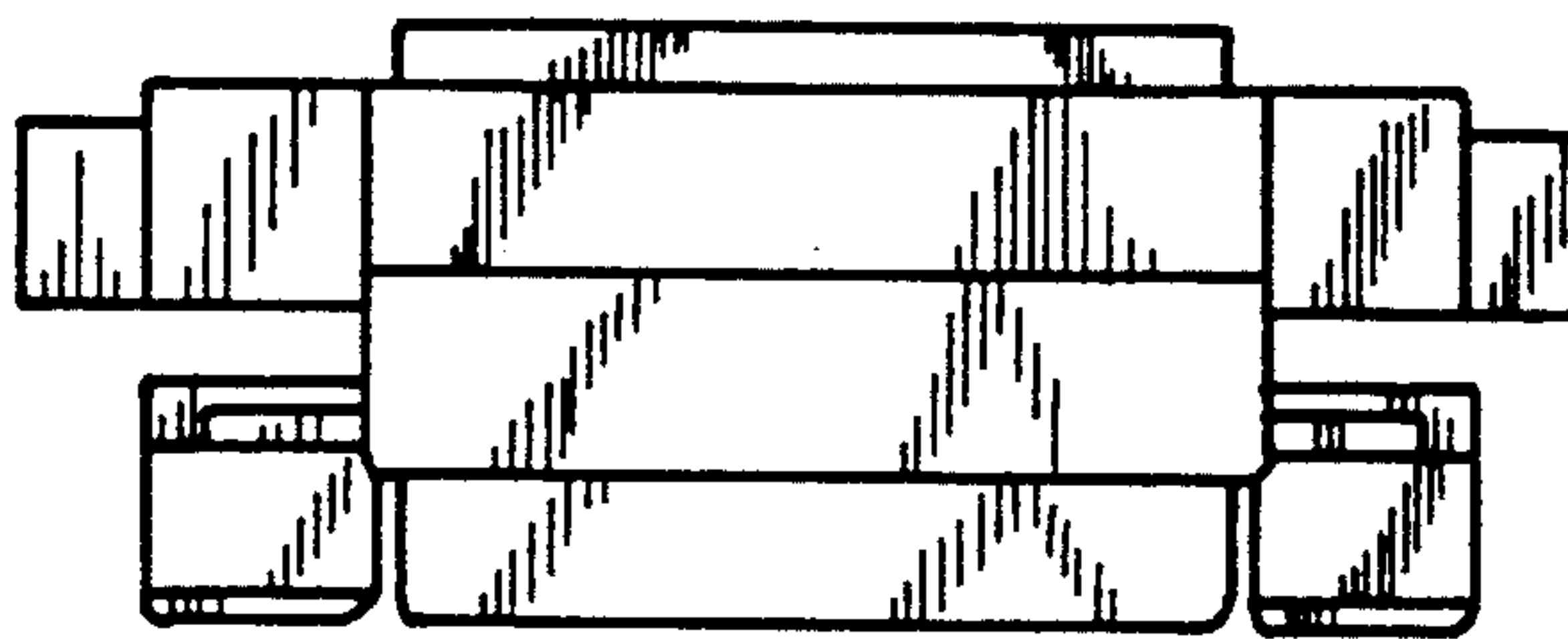


FIG. 4

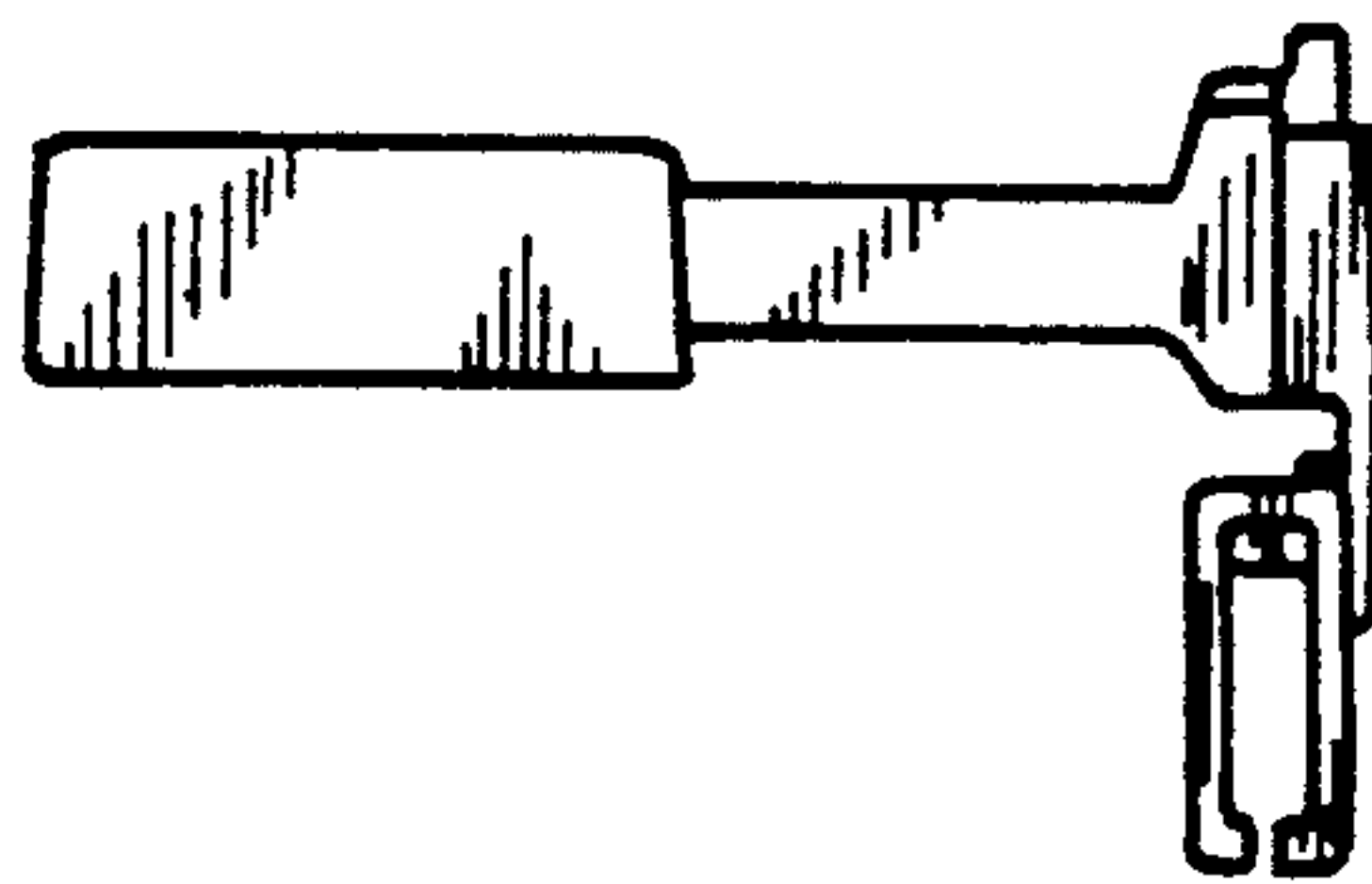


FIG. 5

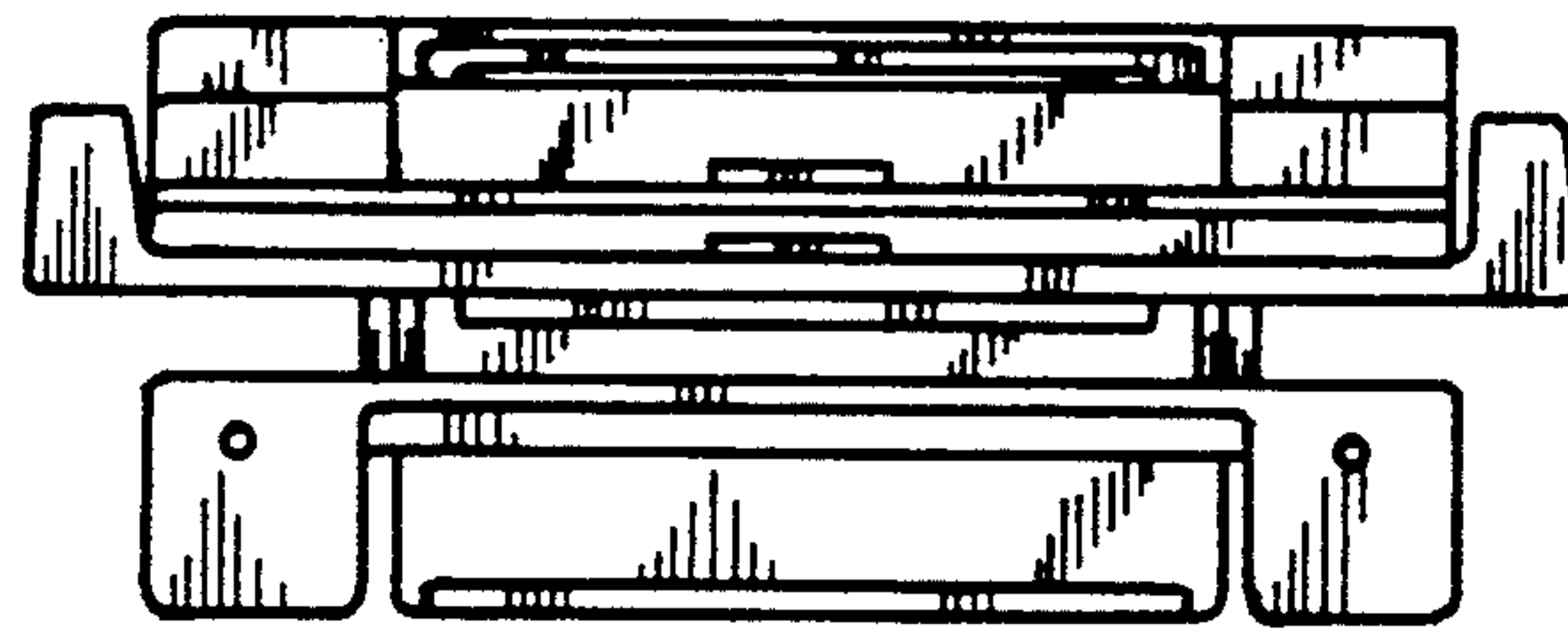


FIG. 6

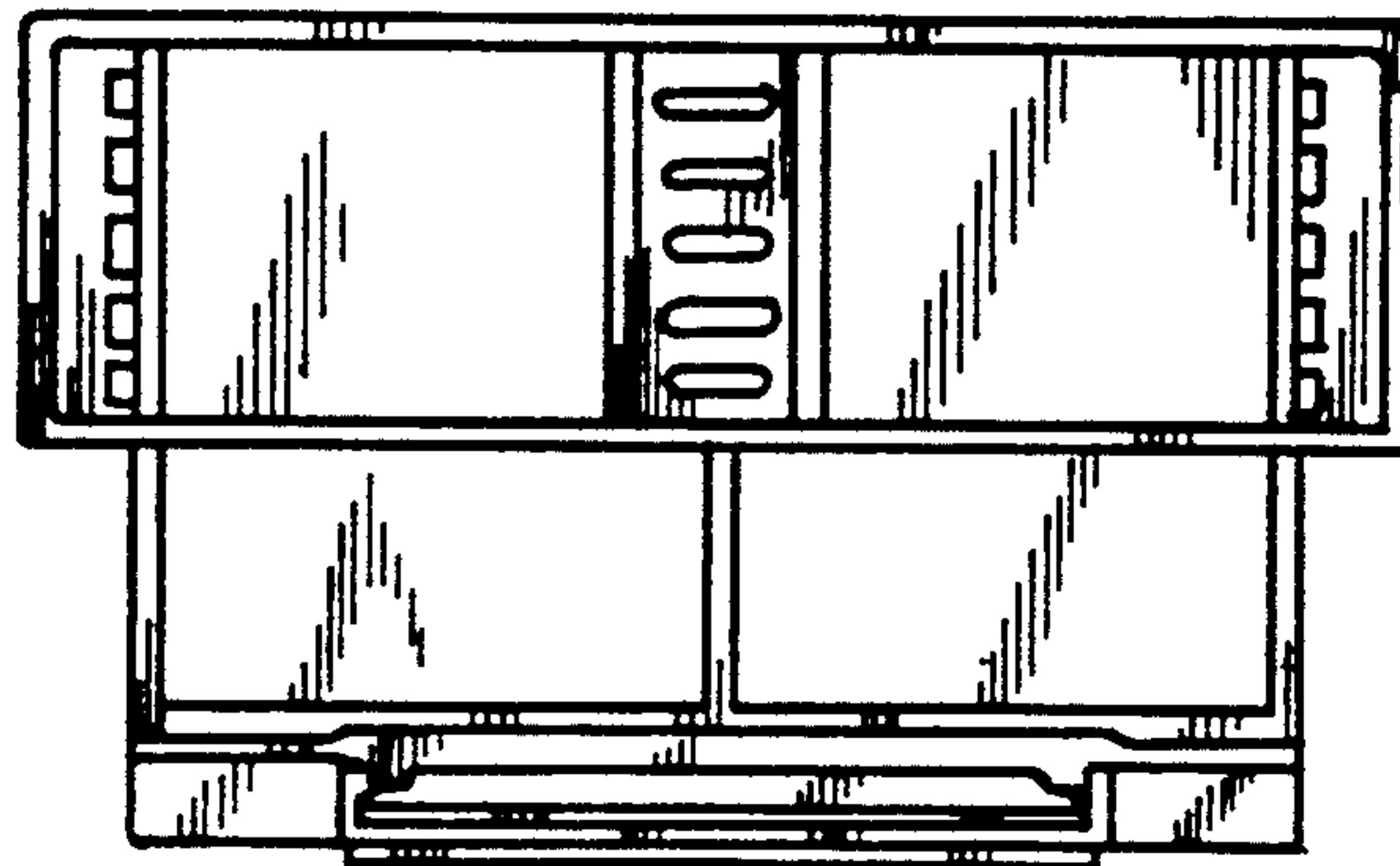


FIG. 7

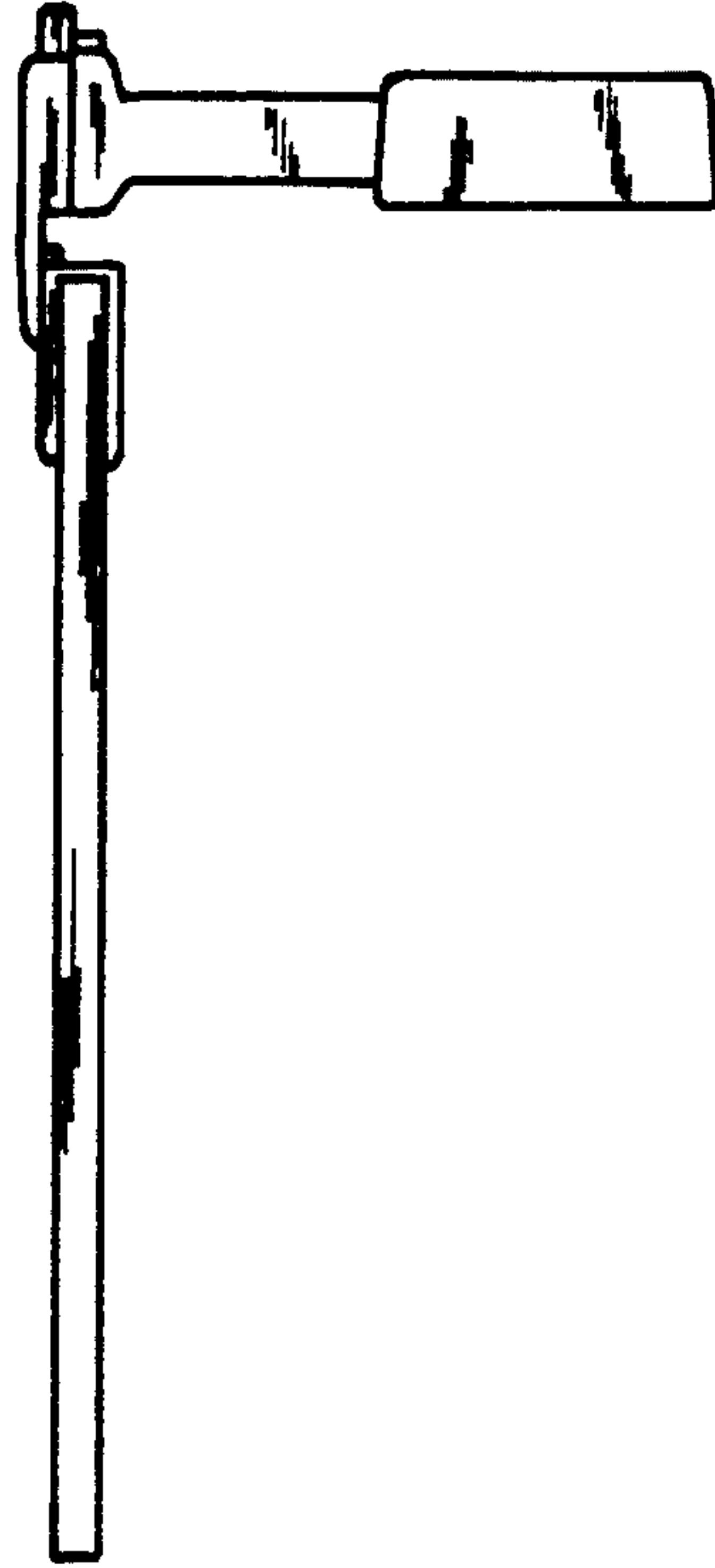


FIG. 8

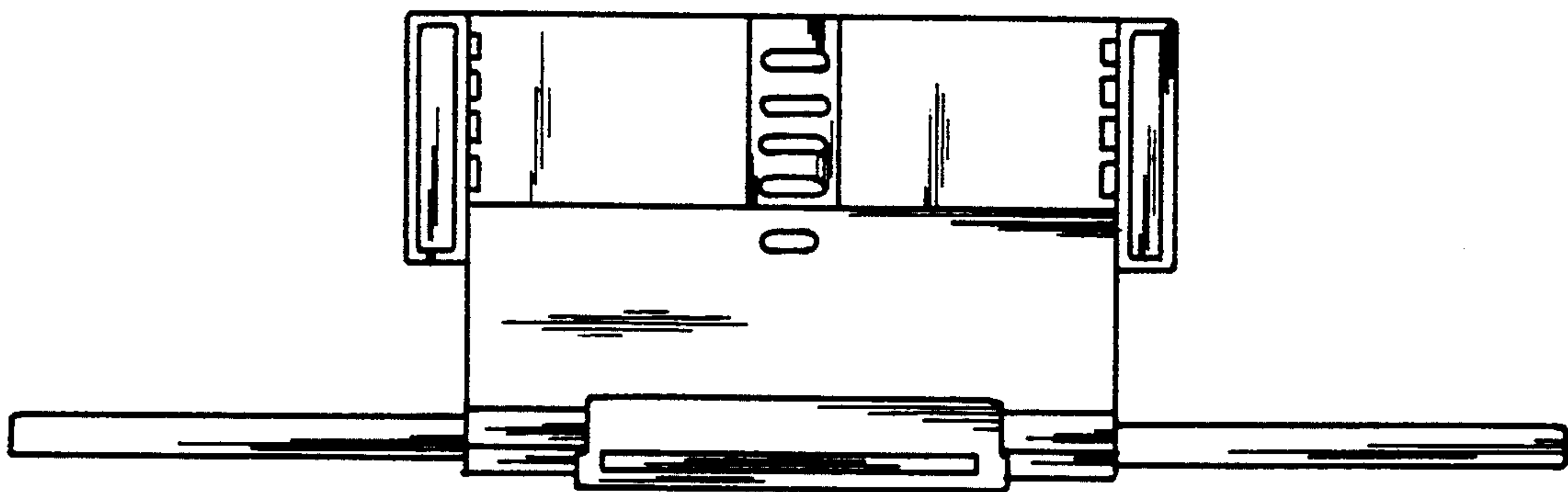


FIG. 9