



US00D342052S

United States Patent [19]

Schoell et al.

[11] Patent Number: **Des. 342,052**

[45] Date of Patent: **** Dec. 7, 1993**

[54] **PERSONAL WATERCRAFT**

4,193,370 3/1980 Schoell 114/291
4,986,208 1/1991 Kobayashi 114/270

[75] Inventors: **Harry L. Schoell**, Ft. Lauderdale, Fla.; **James D. Mattison**, Thief River Falls, Minn.

FOREIGN PATENT DOCUMENTS

43894 2/1988 Japan 114/357

[73] Assignee: **Arctco, Inc.**, Thief River Falls, Minn.

Primary Examiner—Kay H. Chin
Attorney, Agent, or Firm—Dean P. Edmundson

[**] Term: **14 Years**

[57] CLAIM

[21] Appl. No.: **926,866**

The ornamental design for a personal watercraft, as shown.

[22] Filed: **Aug. 6, 1992**

DESCRIPTION

[52] U.S. Cl. **D12/307; D12/300**

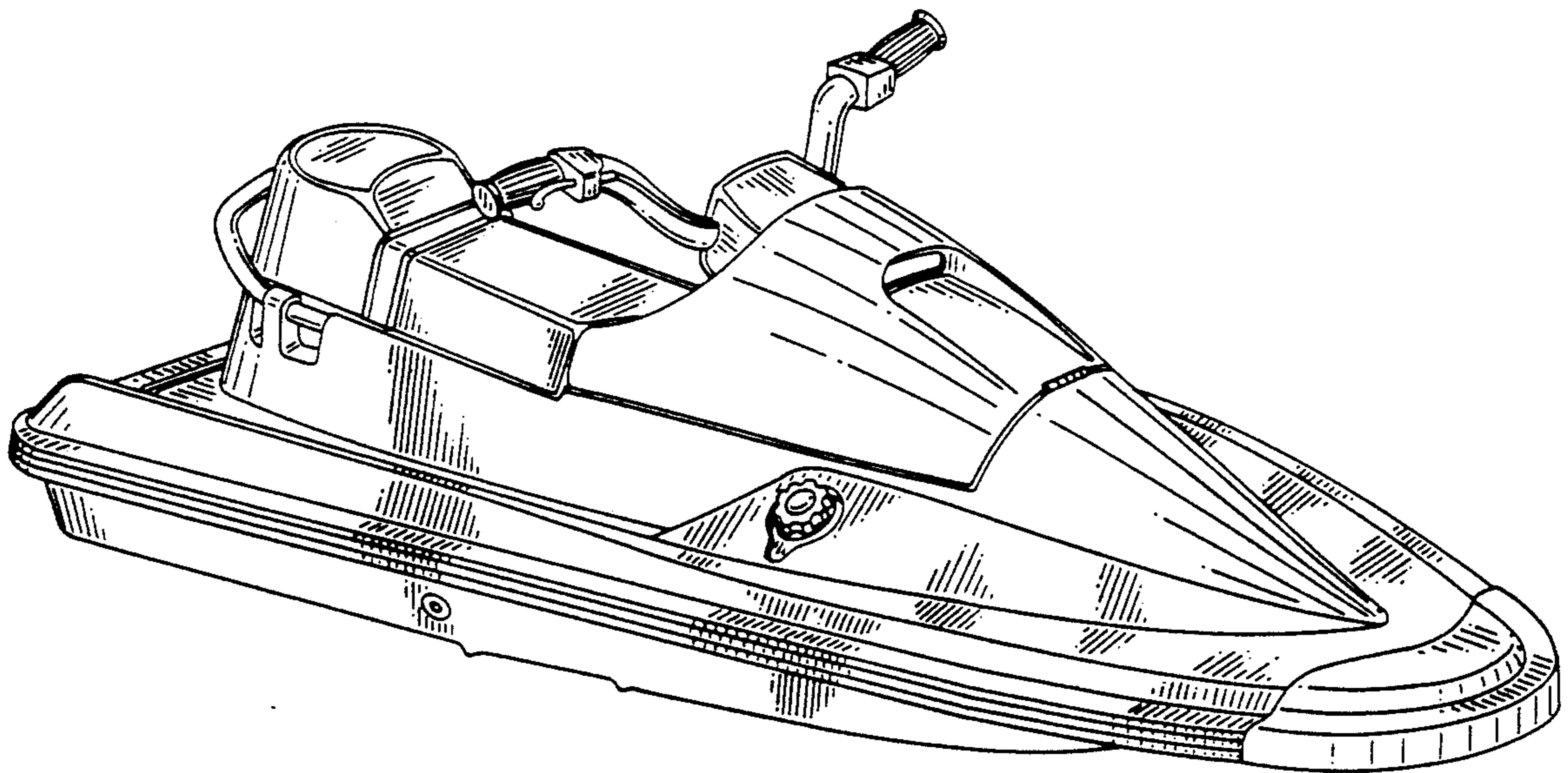
[58] Field of Search **D12/300, 307, 314; 114/270, 271, 357**

FIG. 1 is a front and side perspective view of a personal watercraft showing our new design; FIG. 2 is a side elevational view thereof; FIG. 3 is a top view thereof; FIG. 4 is a bottom view thereof; FIG. 5 is a front elevational view thereof; and, FIG. 6 is a rear elevational view thereof.

[56] References Cited

U.S. PATENT DOCUMENTS

D. 307,414 4/1990 LaPointe D12/307
D. 325,556 4/1992 LaPointe D12/307



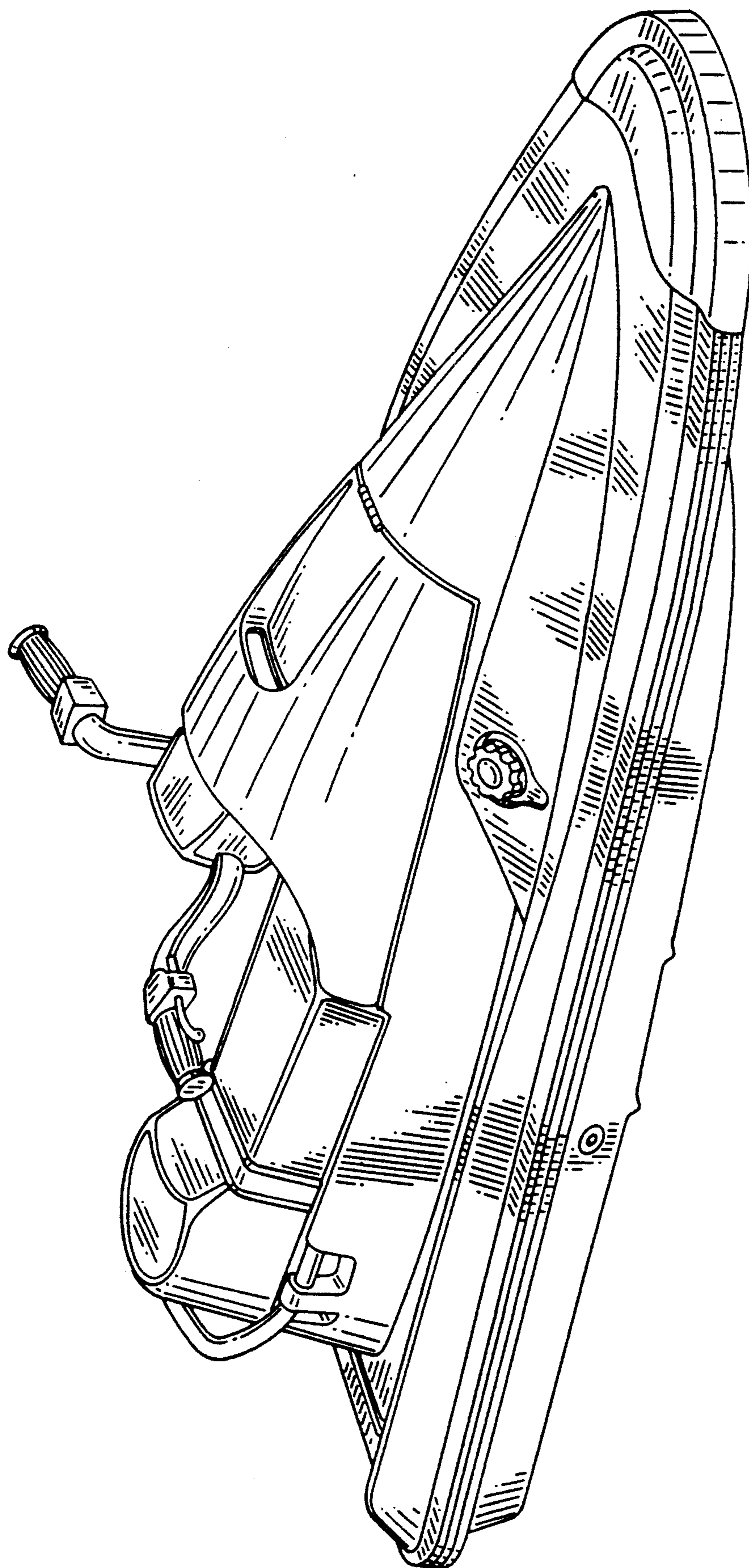


FIG. 1

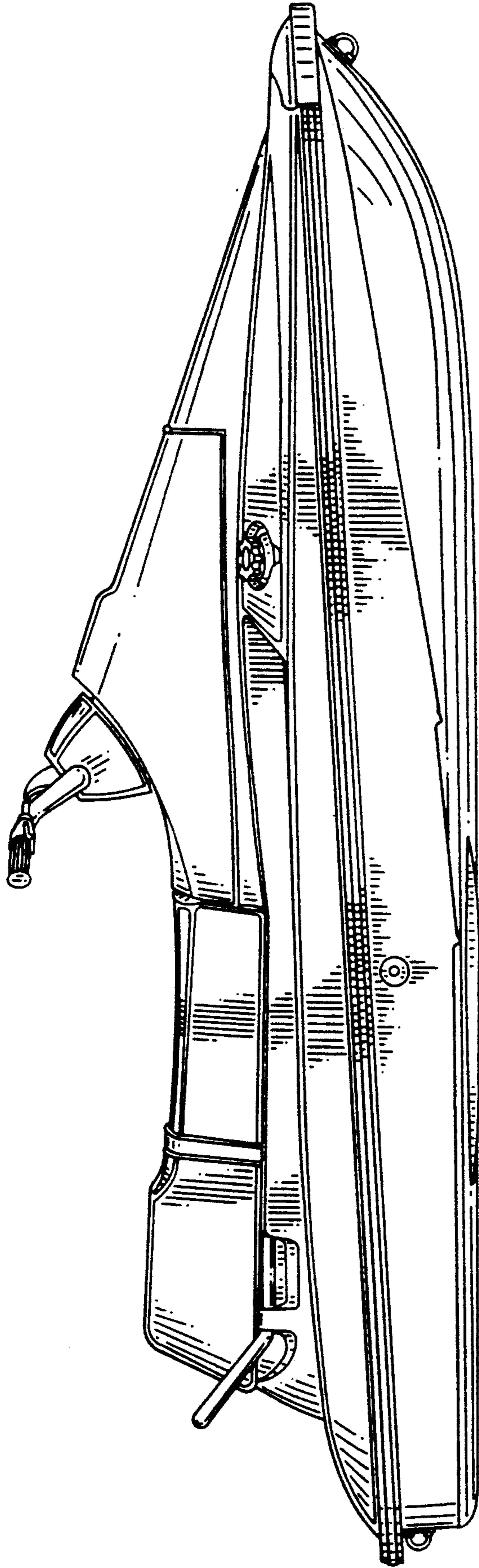


FIG. 2

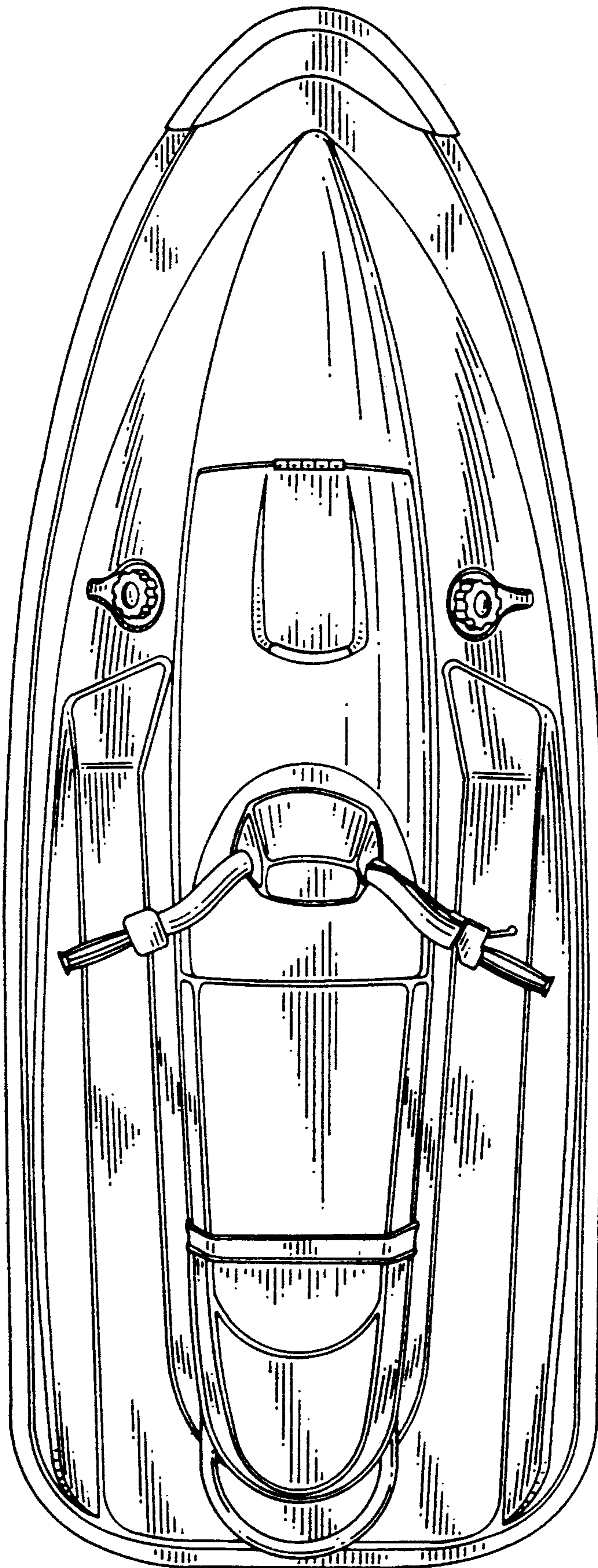


FIG. 3

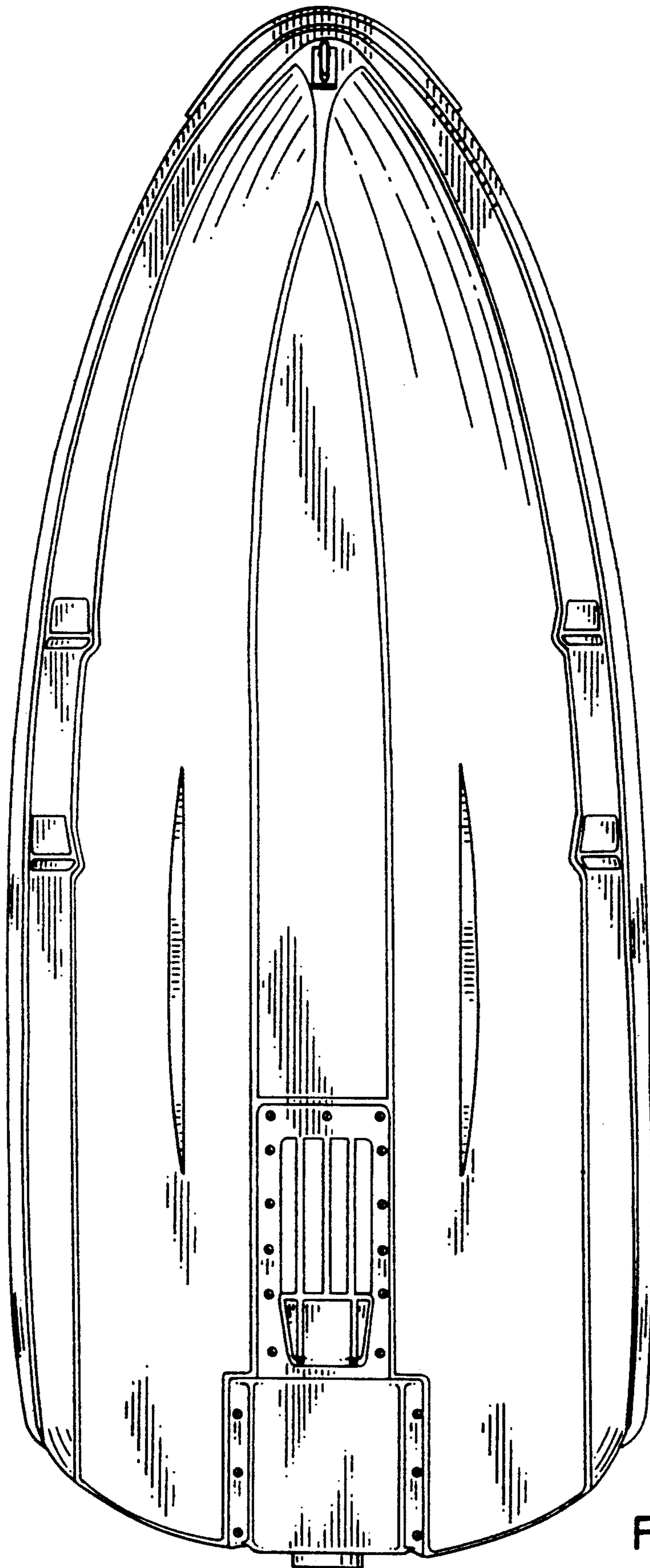


FIG. 4

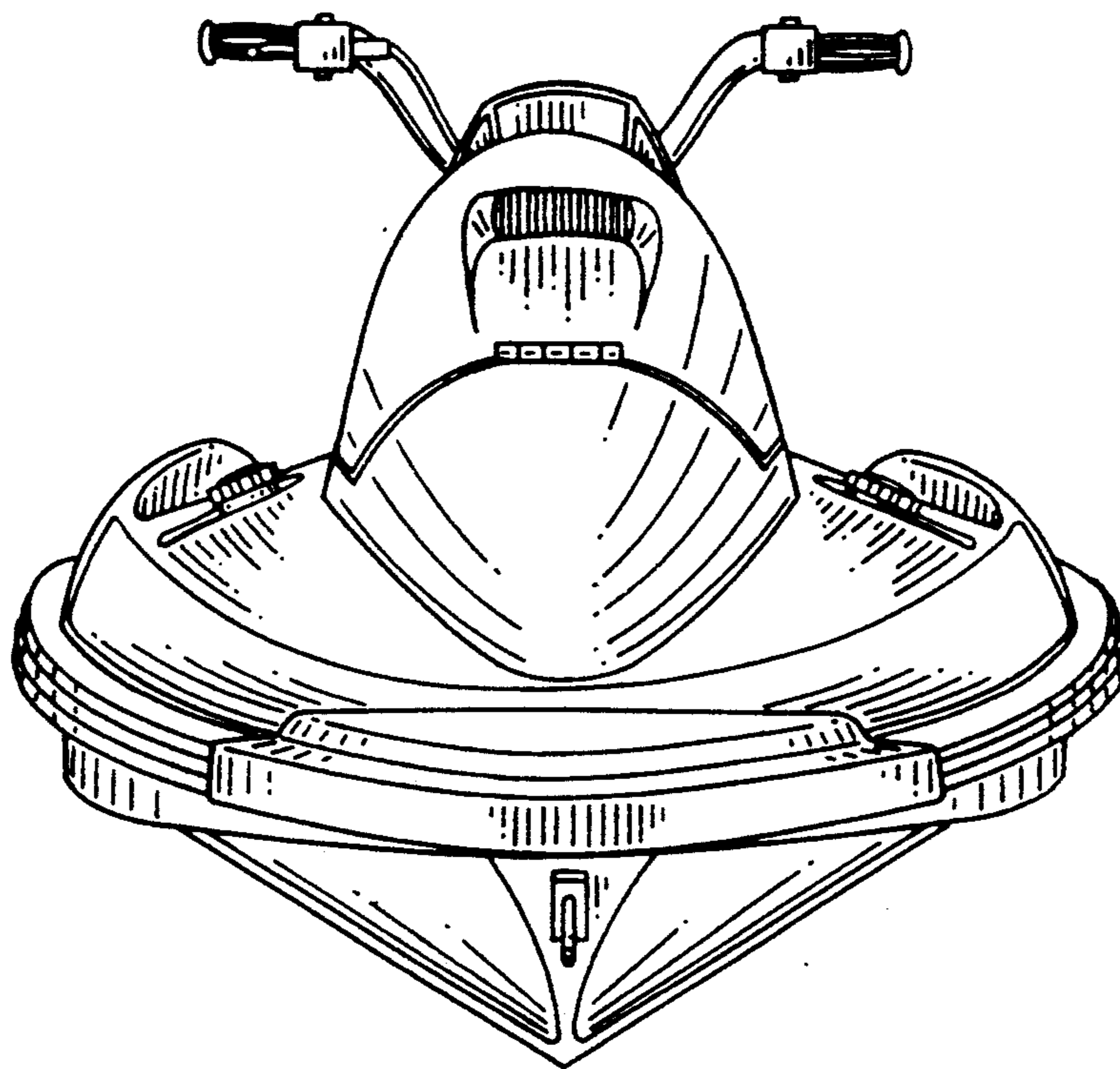


FIG. 5

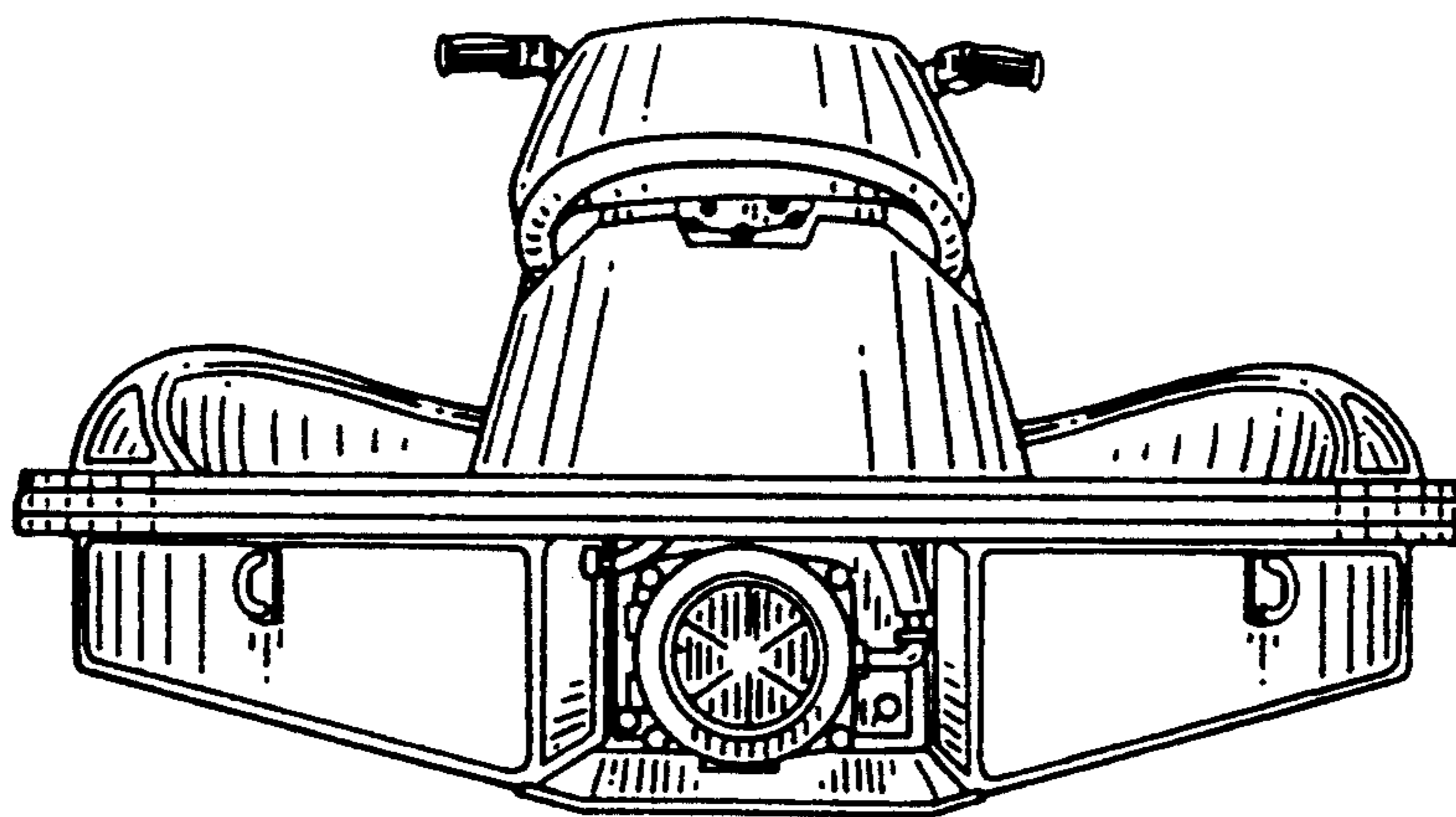


FIG. 6