



US00D342032S

# United States Patent [19]

Germany et al.

[11] Patent Number: **Des. 342,032**

[45] Date of Patent: **\*\* Dec. 7, 1993**

[54] **GAS CALIBRATION UNIT FOR A SENSOR**

[56] **References Cited**

### U.S. PATENT DOCUMENTS

D. 334,237 3/1993 Collister et al. .... D10/81 X

*Primary Examiner*—Nelson C. Holtje  
*Assistant Examiner*—Antoine D. Davis  
*Attorney, Agent, or Firm*—Harry G. Thibault; Robert E. Wexler

[75] Inventors: **Cheryl D. Germany, Kirkland, Wash.; James D. Morrow, Oak Park, Ill.**

[73] Assignee: **Abbott Laboratories, Abbott Park, Ill.**

[\*\*] Term: **14 Years**

### [57] CLAIM

The ornamental design for a gas calibration unit for a sensor, as shown and described.

[21] Appl. No.: **514**

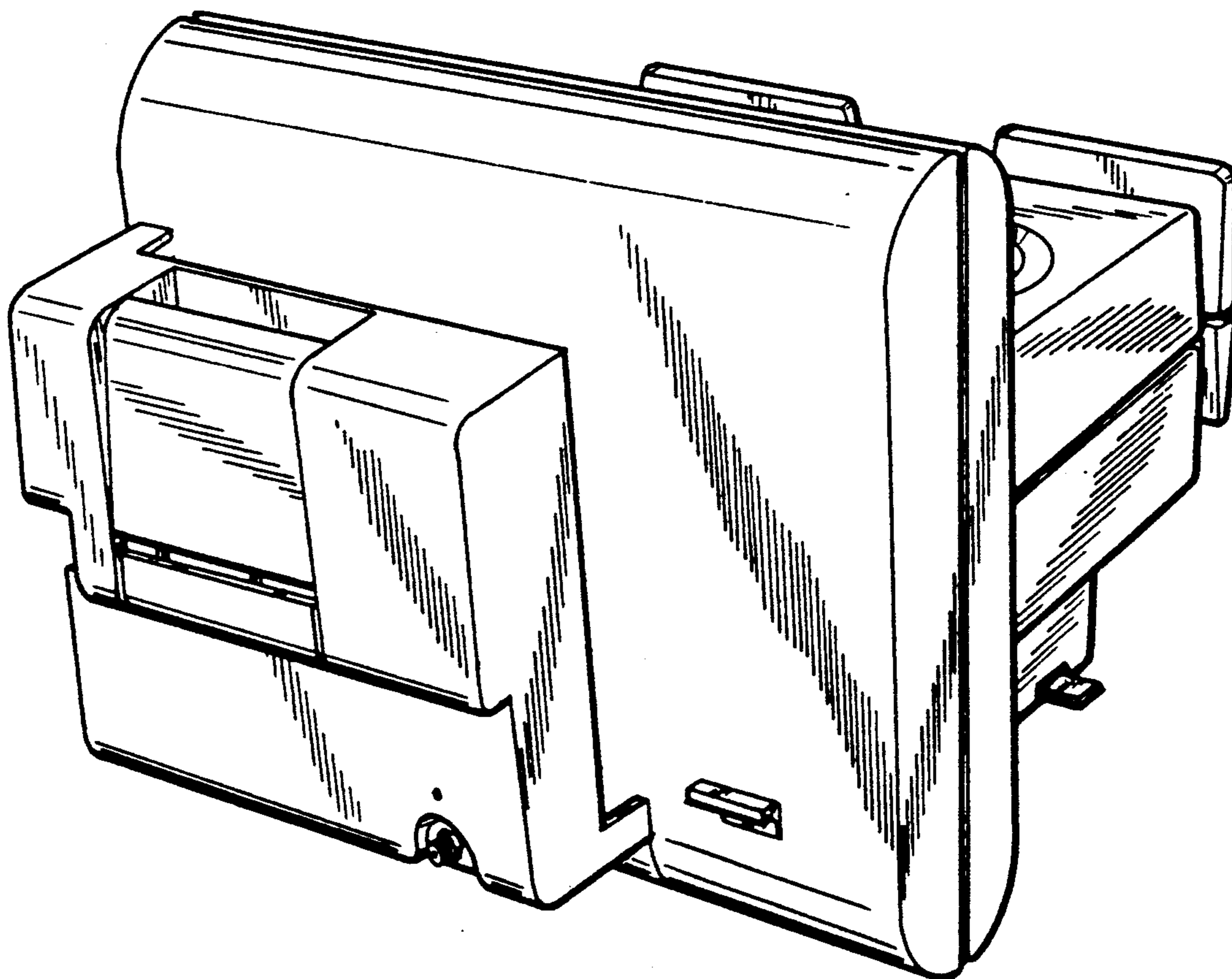
### DESCRIPTION

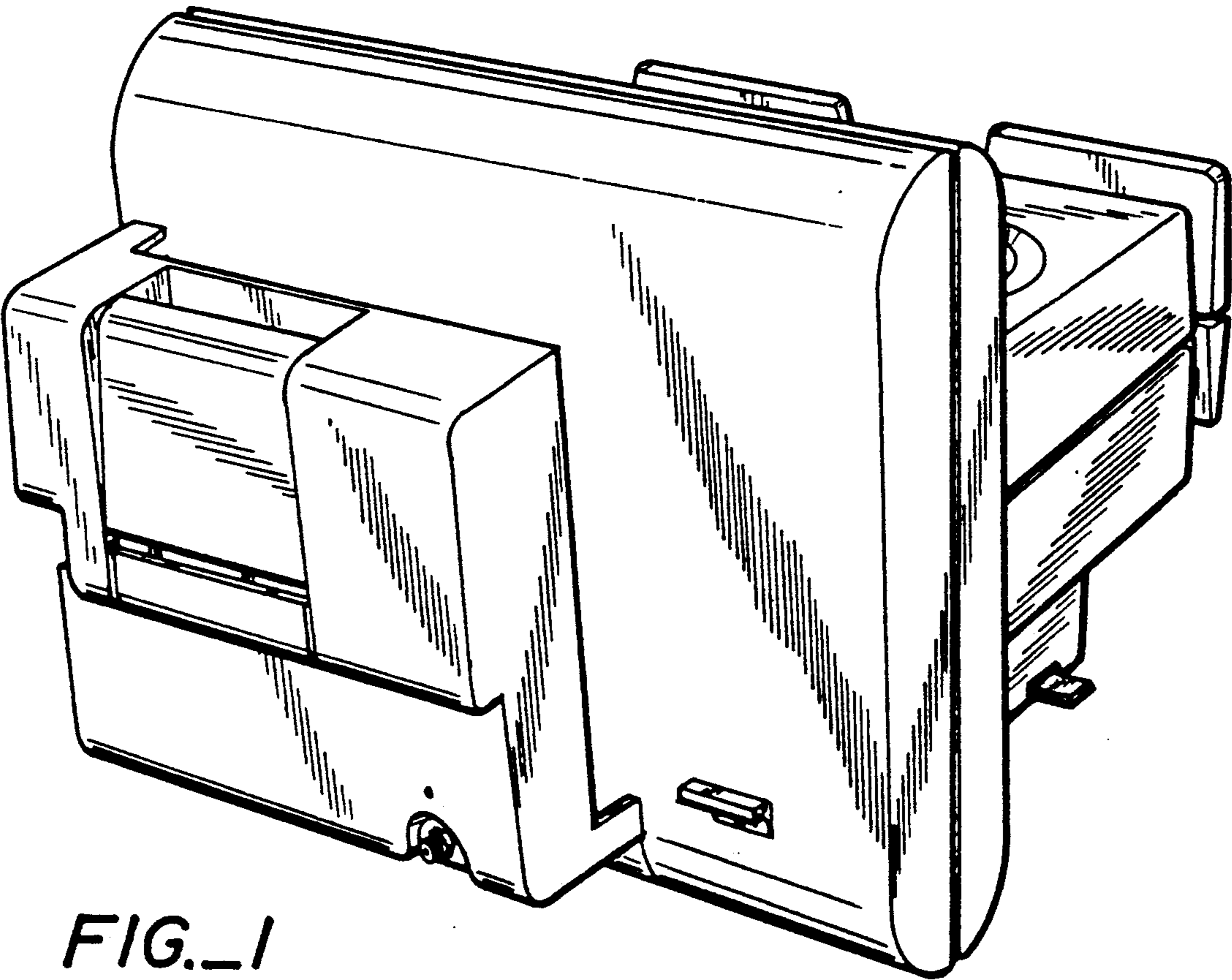
FIG. 1 is a perspective view of our new design for a gas calibration unit for a sensor;  
FIG. 2 is a front elevational view;  
FIG. 3 is a left-side elevational view;  
FIG. 4 is a rear elevational view;  
FIG. 5 is a right-side elevational view;  
FIG. 6 is a top plan view; and,  
FIG. 7 is a bottom plan view.

[22] Filed: **Oct. 16, 1992**

[52] U.S. Cl. .... **D10/81; D10/46**

[58] Field of Search .... **D10/46, 81; D24/107, D24/108, 110; 73/1 G, 1 R, 19.01-19.12, 431**





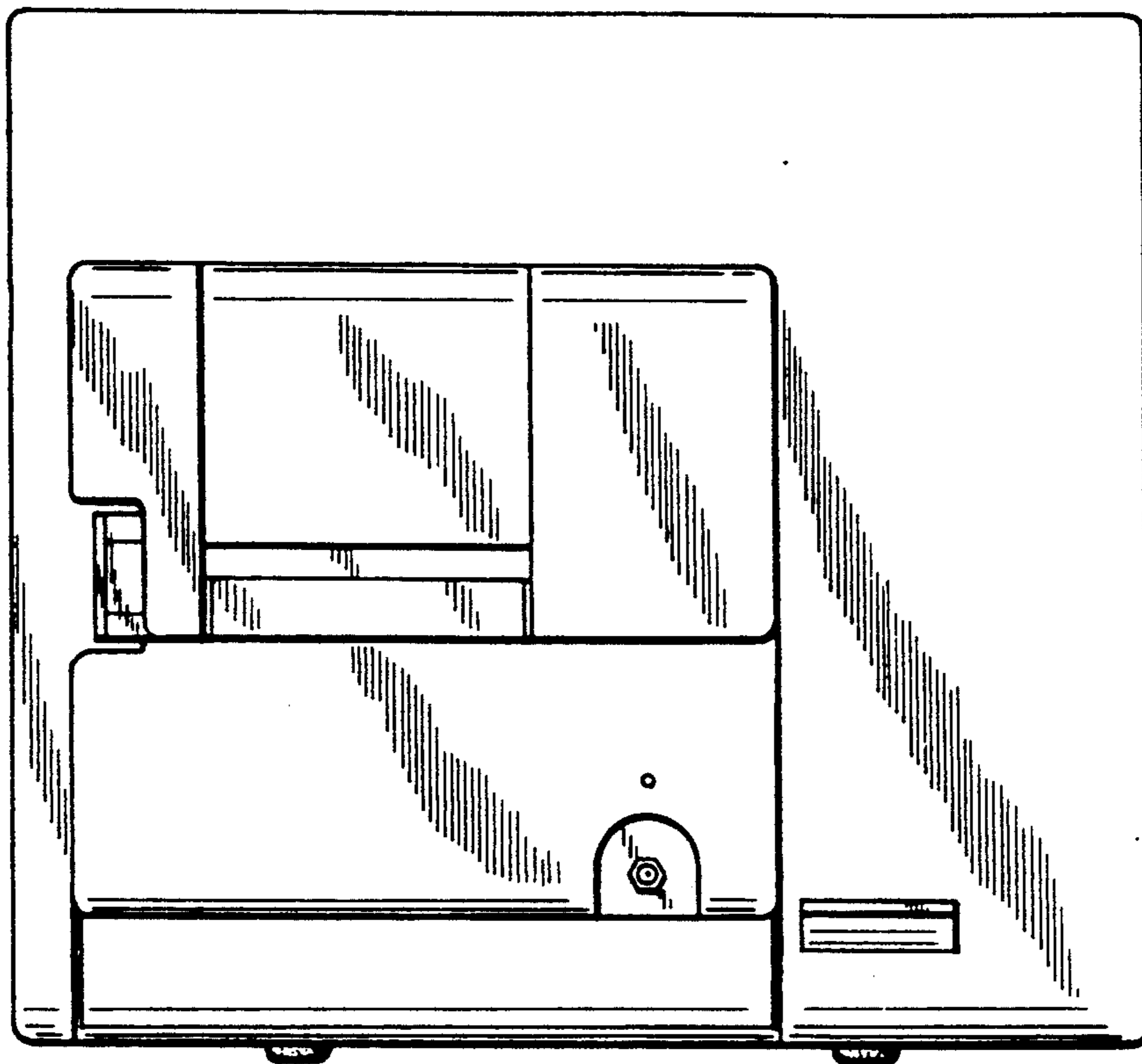


FIG. 2

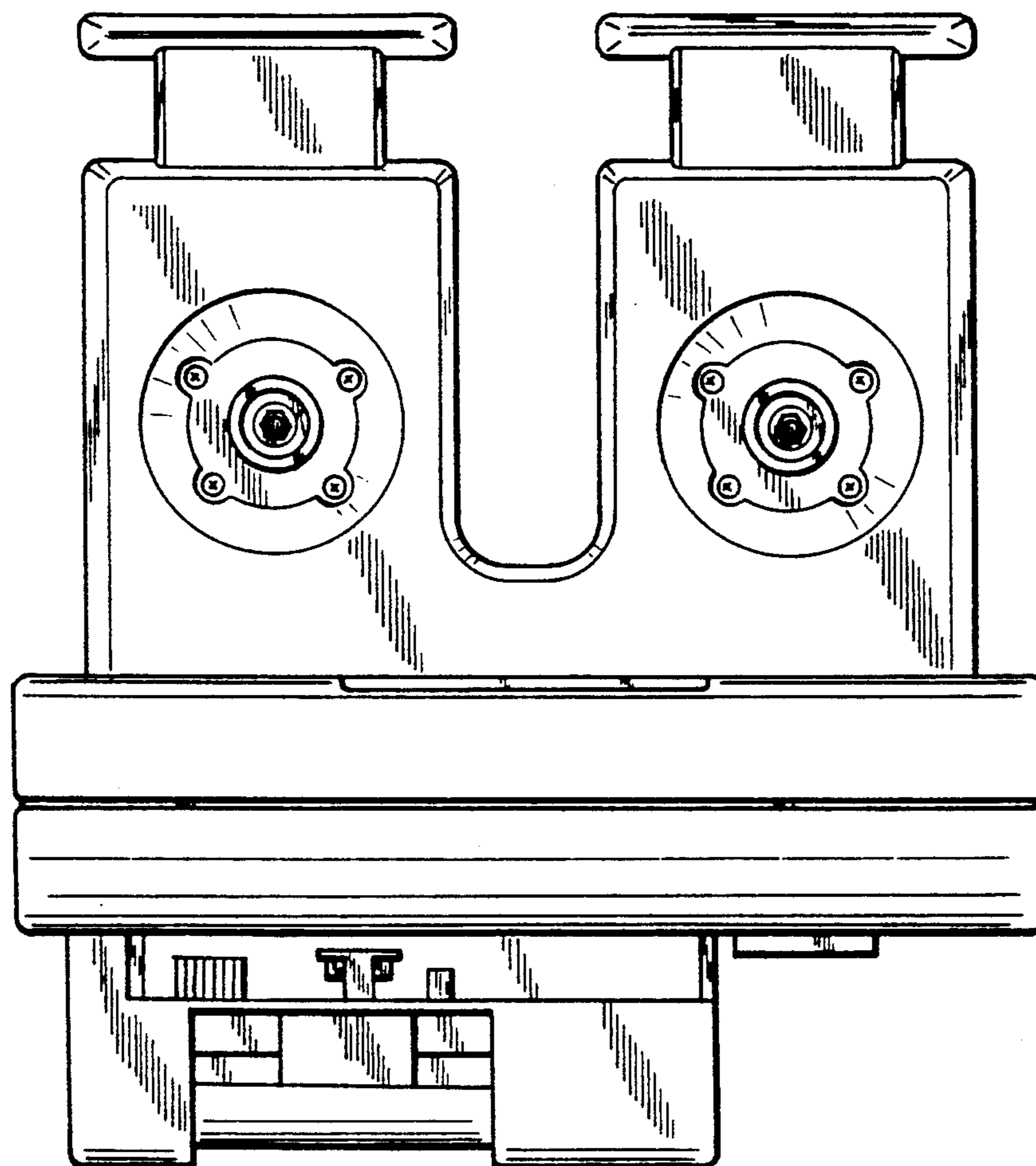


FIG. 6

FIG. 3

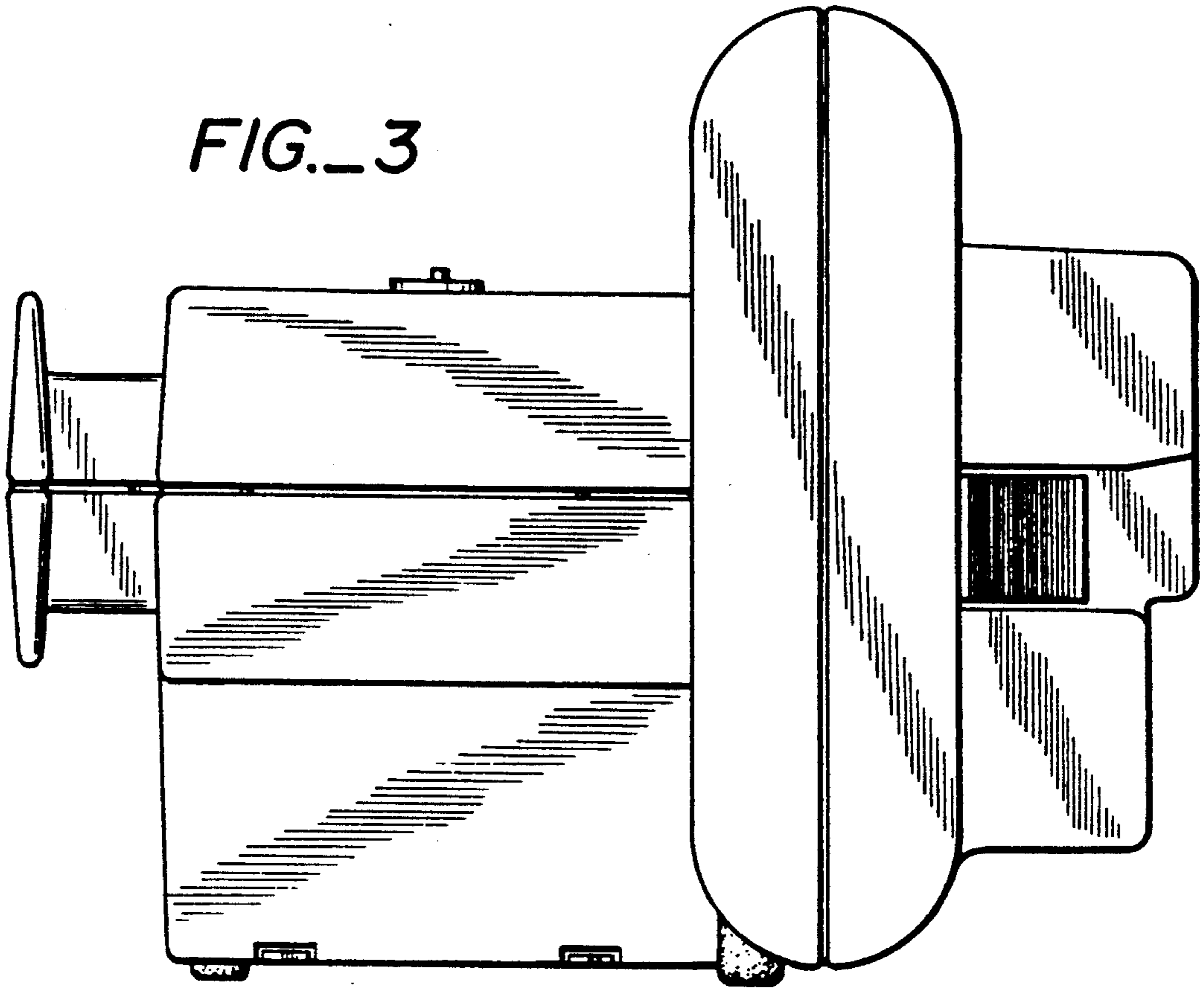
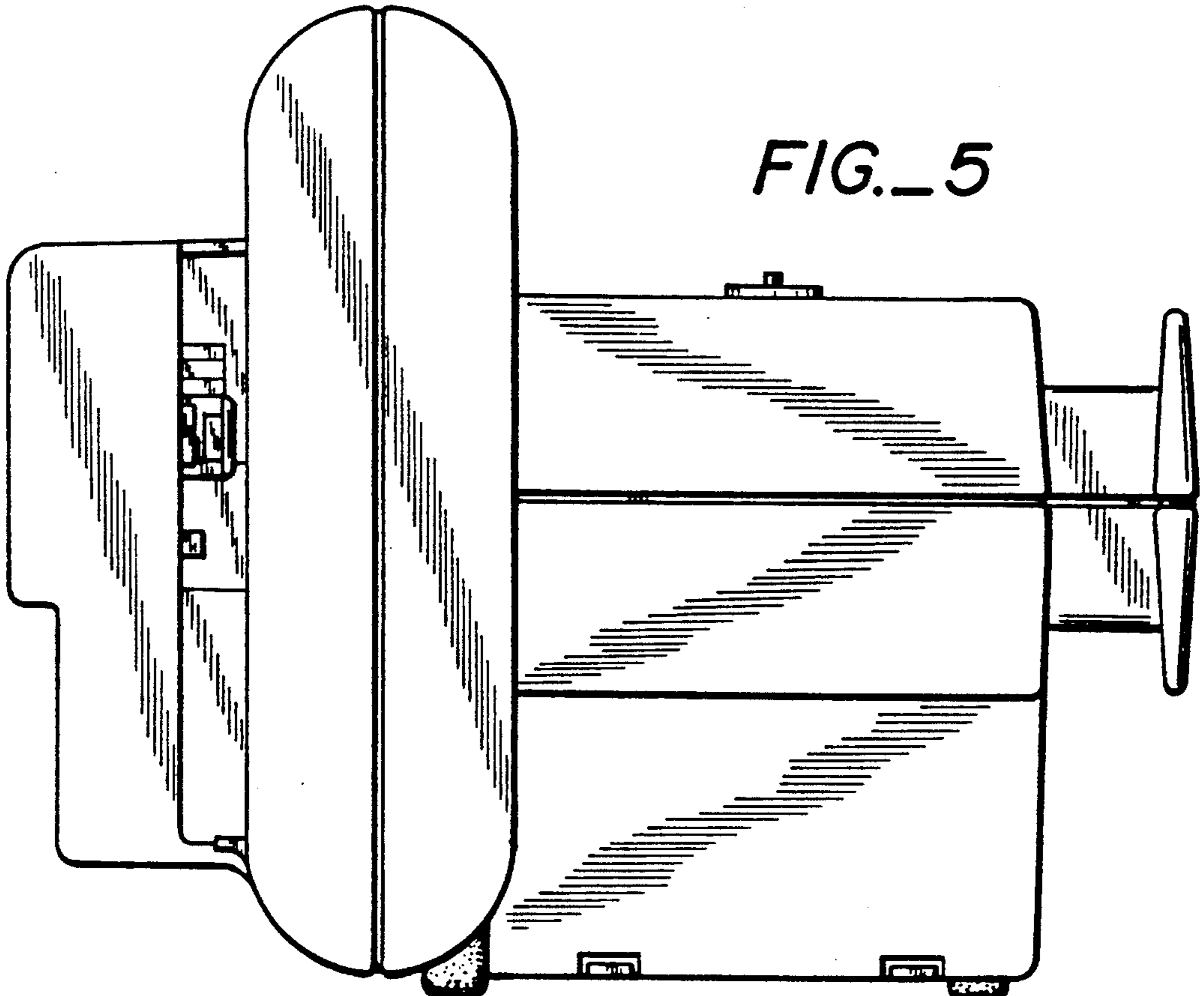


FIG. 5





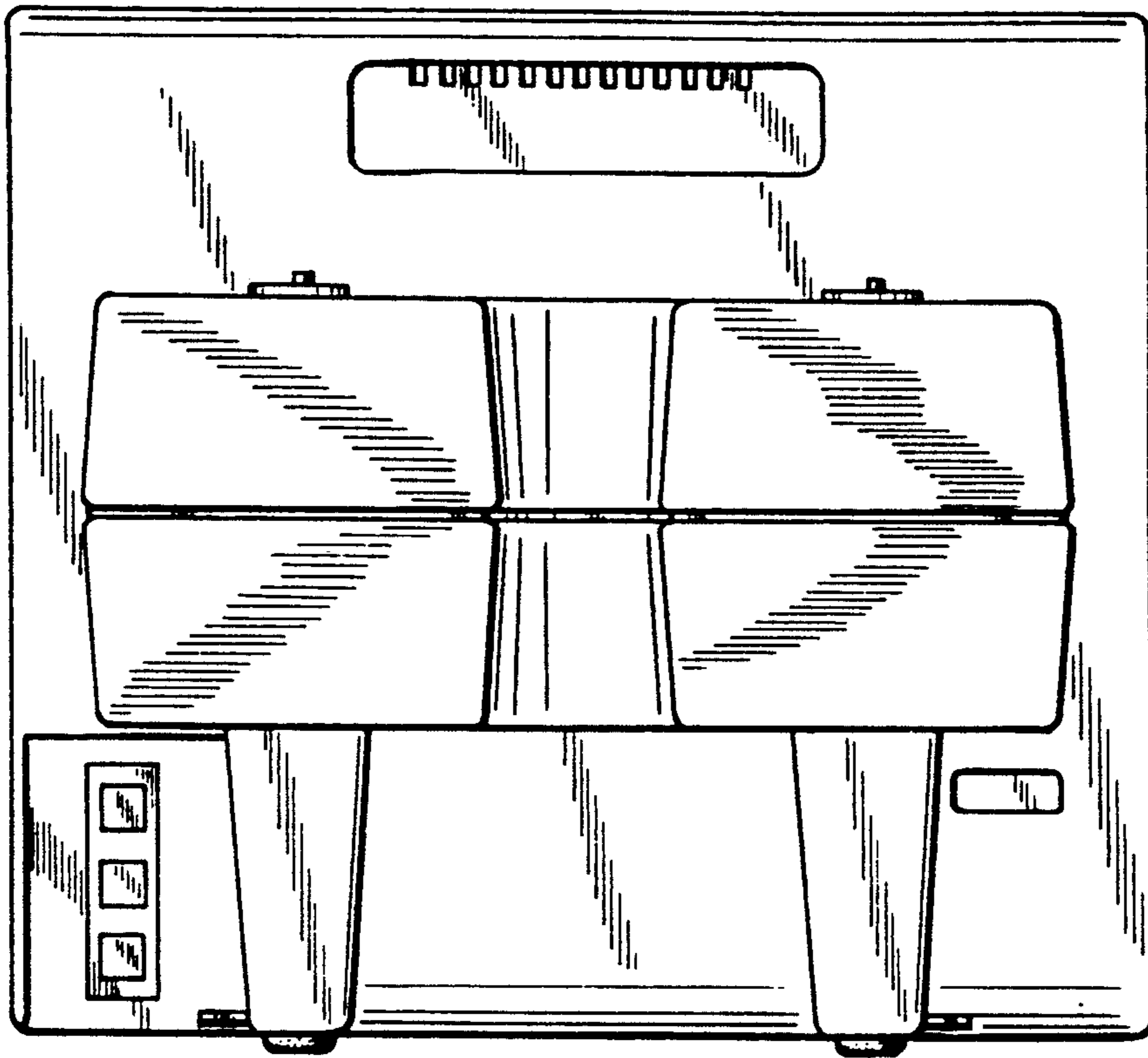


FIG. 4

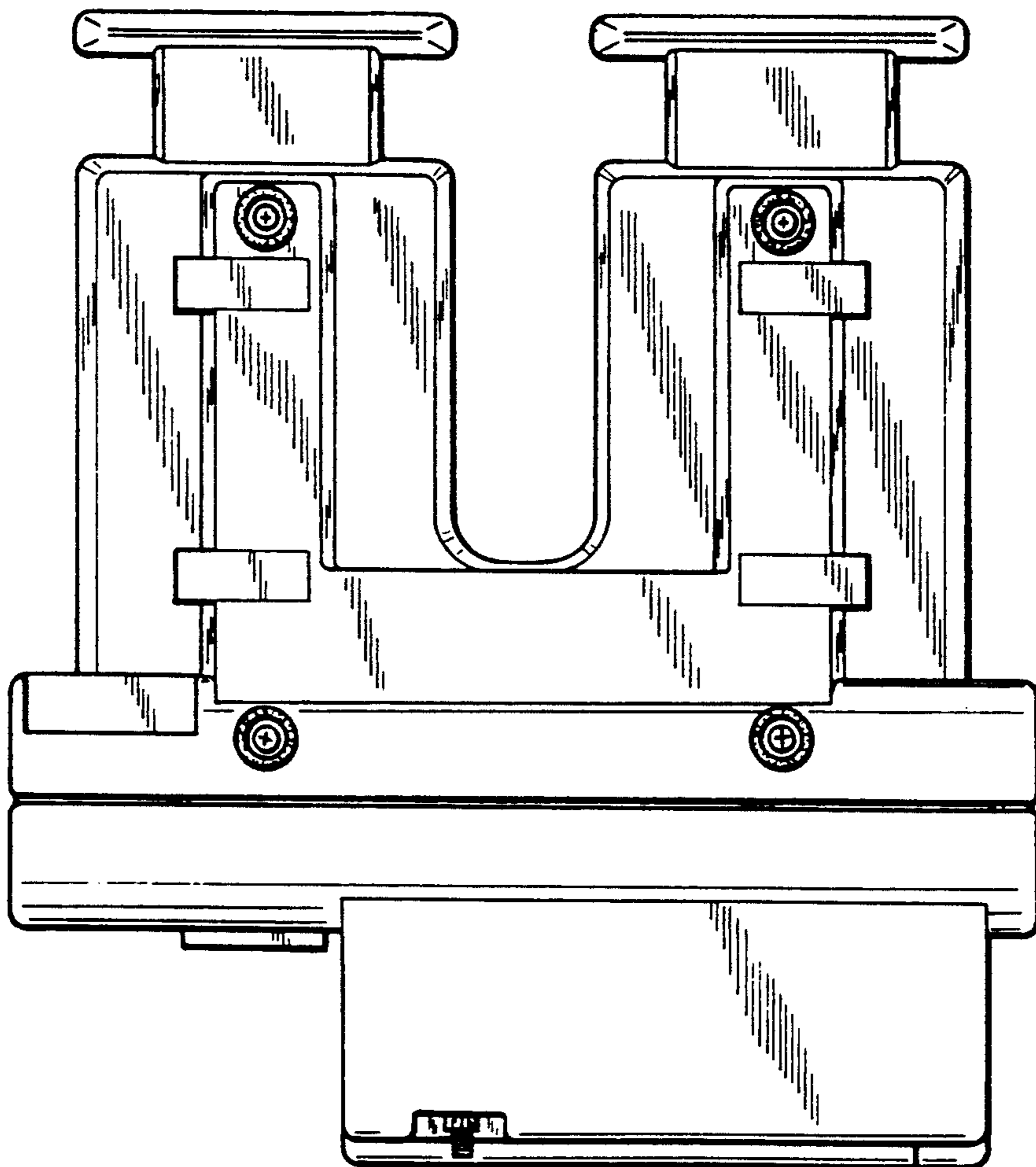


FIG. 7