



US00D342028S

# United States Patent [19]

[11] Patent Number: Des. 342,028

Stenger

[45] Date of Patent: \*\* Dec. 7, 1993

[54] PREFORM FOR A BOTTLE

4,725,464 2/1988 Collette ..... 428/542.8 X  
4,997,692 3/1991 Yoshino ..... 215/1 C X

[75] Inventor: Donald R. Stenger, Rockford, Ill.

Primary Examiner—Bernard Ansher  
Assistant Examiner—Lucy Lieberman  
Attorney, Agent, or Firm—Leydig, Voit & Mayer

[73] Assignee: Johnson Enterprises, Inc., Rockford, Ill.

[\*\*] Term: 14 Years

### [57] CLAIM

[21] Appl. No.: 783,097

The ornamental design for a preform for a bottle, as shown and described.

[22] Filed: Oct. 28, 1991

### DESCRIPTION

[52] U.S. Cl. .... D9/521; D9/553;  
D24/224

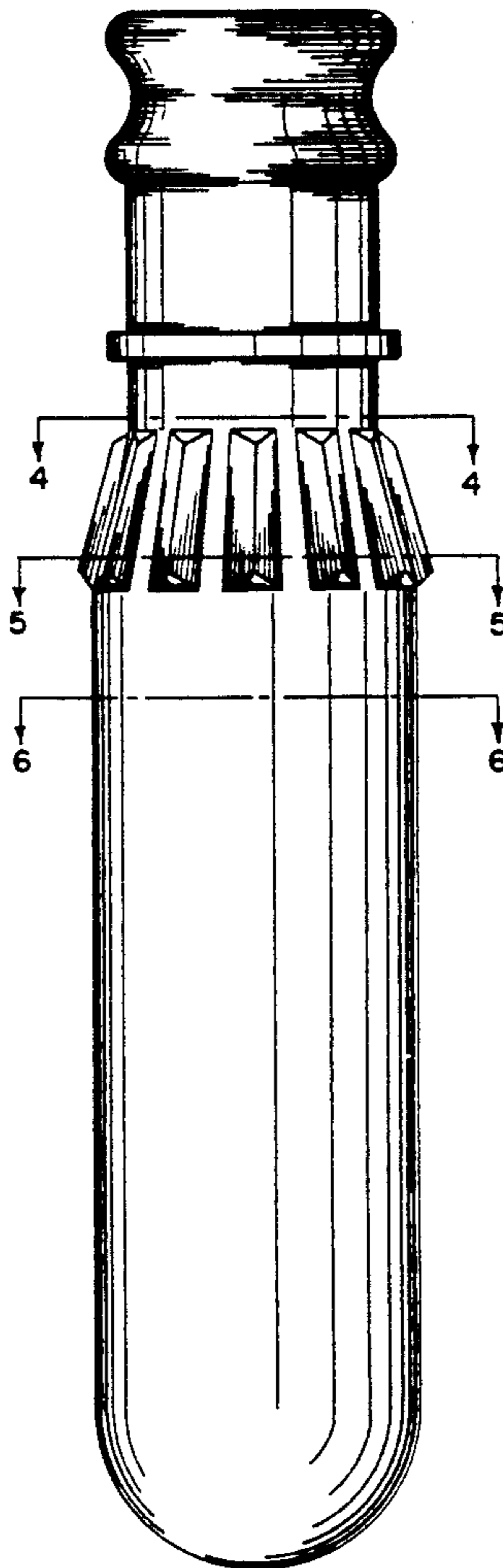
[58] Field of Search ..... D9/521, 553, 556, 559;  
215/1 R, 1 C; 428/36.92, 542.8; D24/224

FIG. 1 is a perspective view of a preform for a bottle, showing my new design;  
FIG. 2 is a side elevation thereof, the other side elevations are the same;  
FIG. 3 is a top view thereof;  
FIG. 4 is a cross sectional view taken along the line 4—4 in FIG. 2;  
FIG. 5 is a cross sectional view taken along the line 5—5 in FIG. 2;  
FIG. 6 is a cross sectional view taken along the line 6—6 in FIG. 2; and,  
FIG. 7 is a bottom view thereof.

### [56] References Cited

#### U.S. PATENT DOCUMENTS

D. 67,454	6/1925	Ginter .....	D9/553 X
D. 200,603	3/1965	Petitto .....	D9/556 X
D. 288,130	2/1987	Larkin et al. ....	D24/224
3,208,631	9/1965	Edwards .....	D9/553 X
4,397,808	8/1983	Yoshino .....	215/1 C X
4,715,504	12/1987	Chang et al. ....	215/1 C



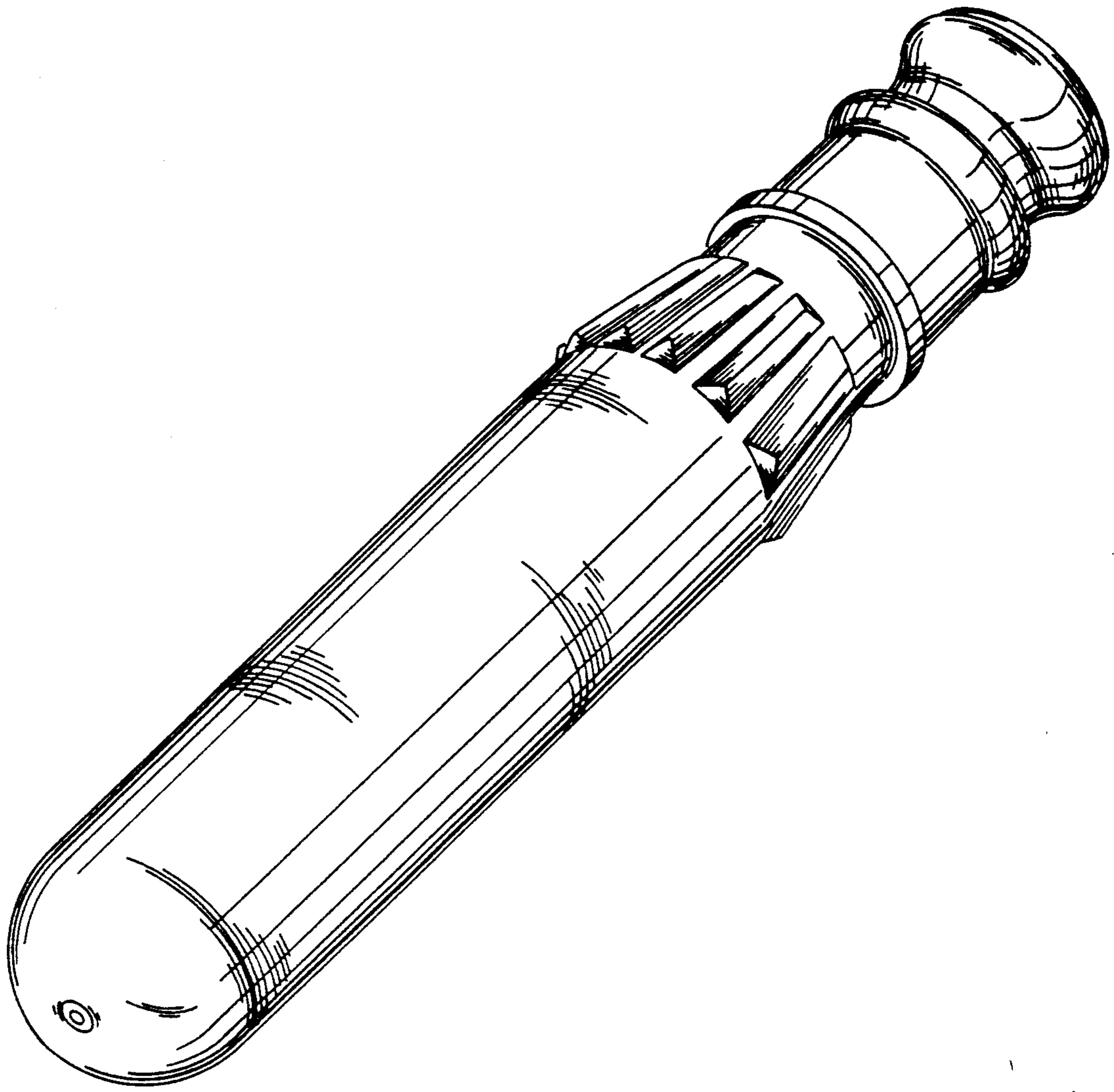


FIG. 1

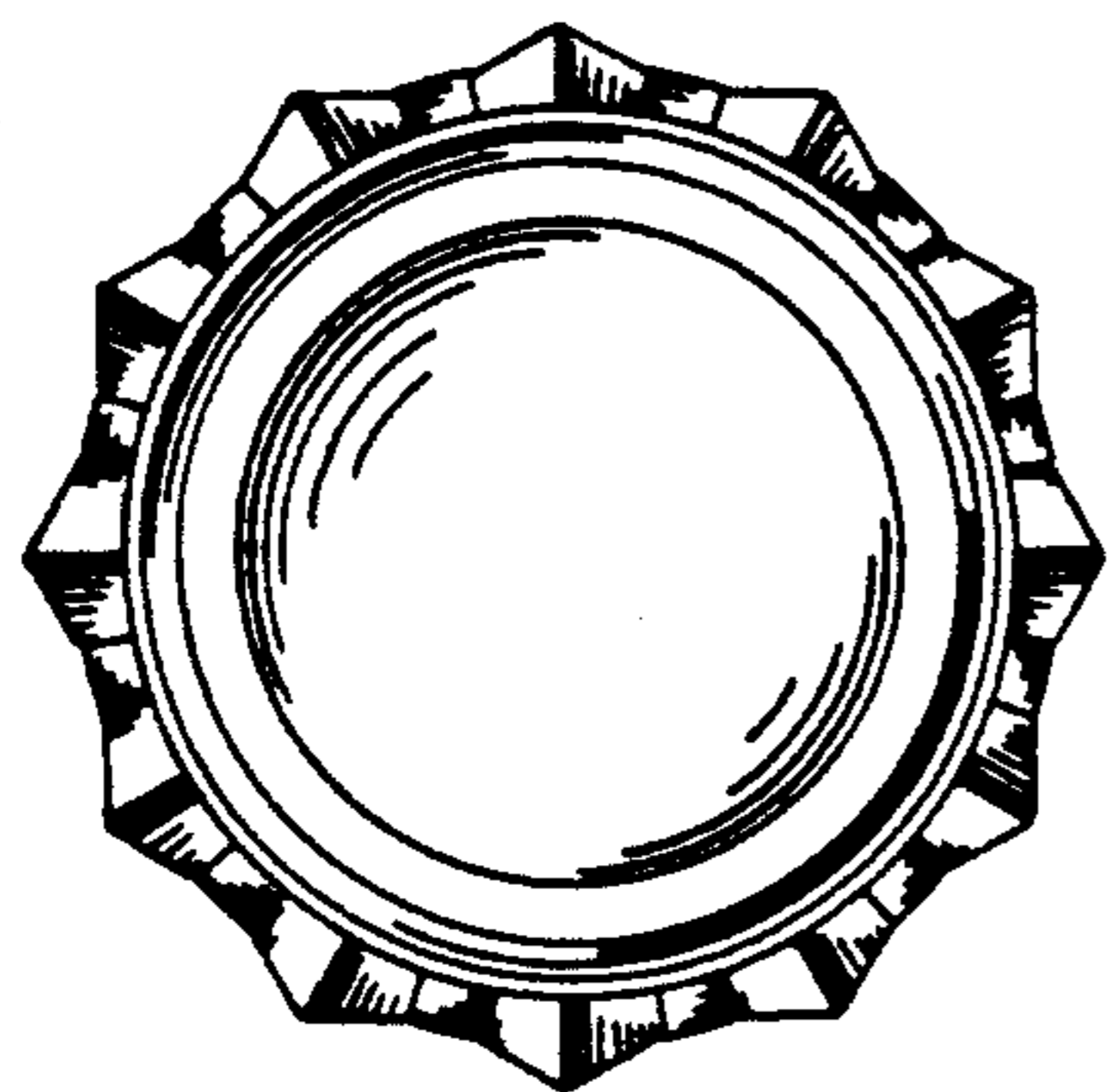


FIG. 3

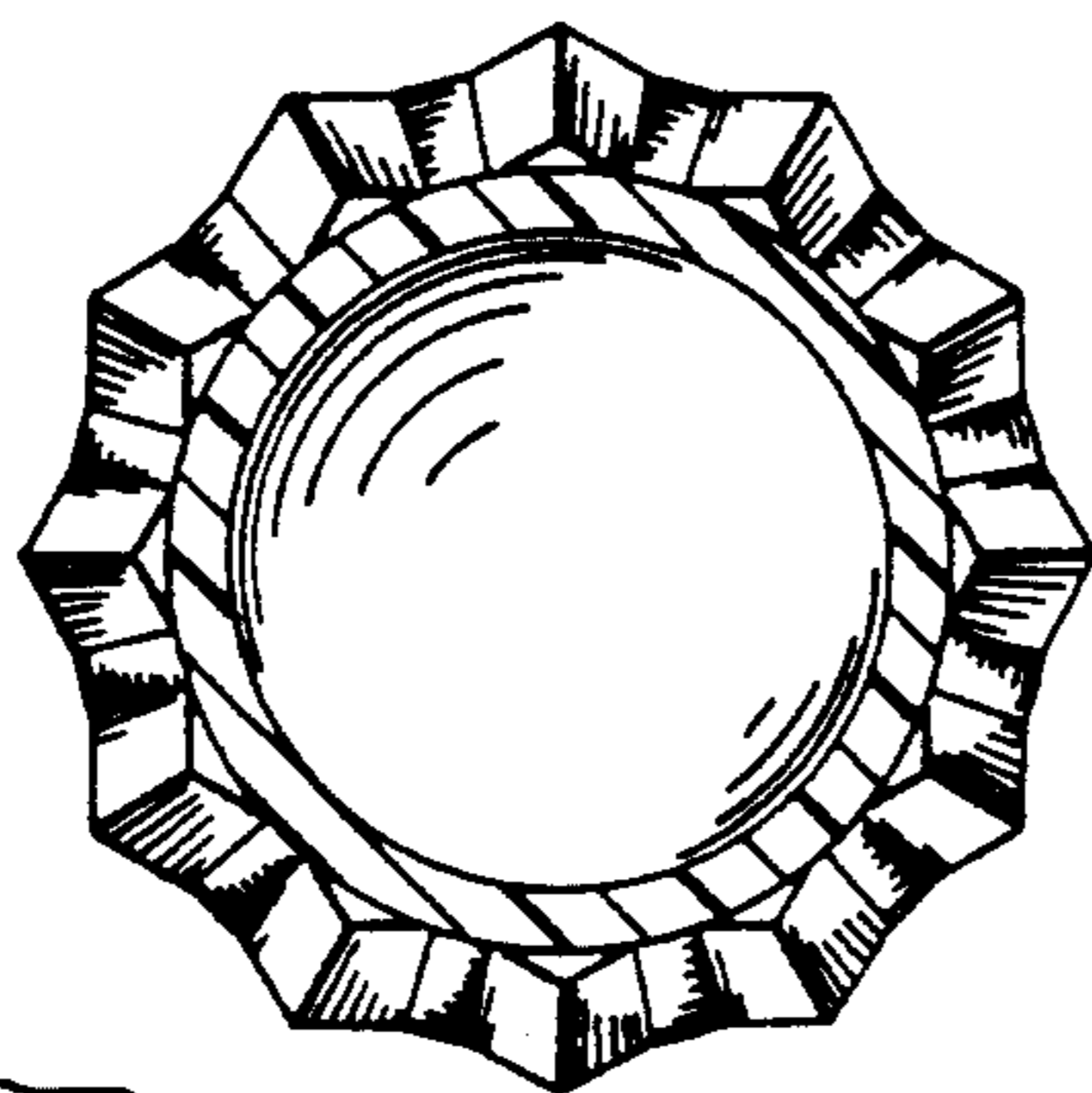


FIG. 4

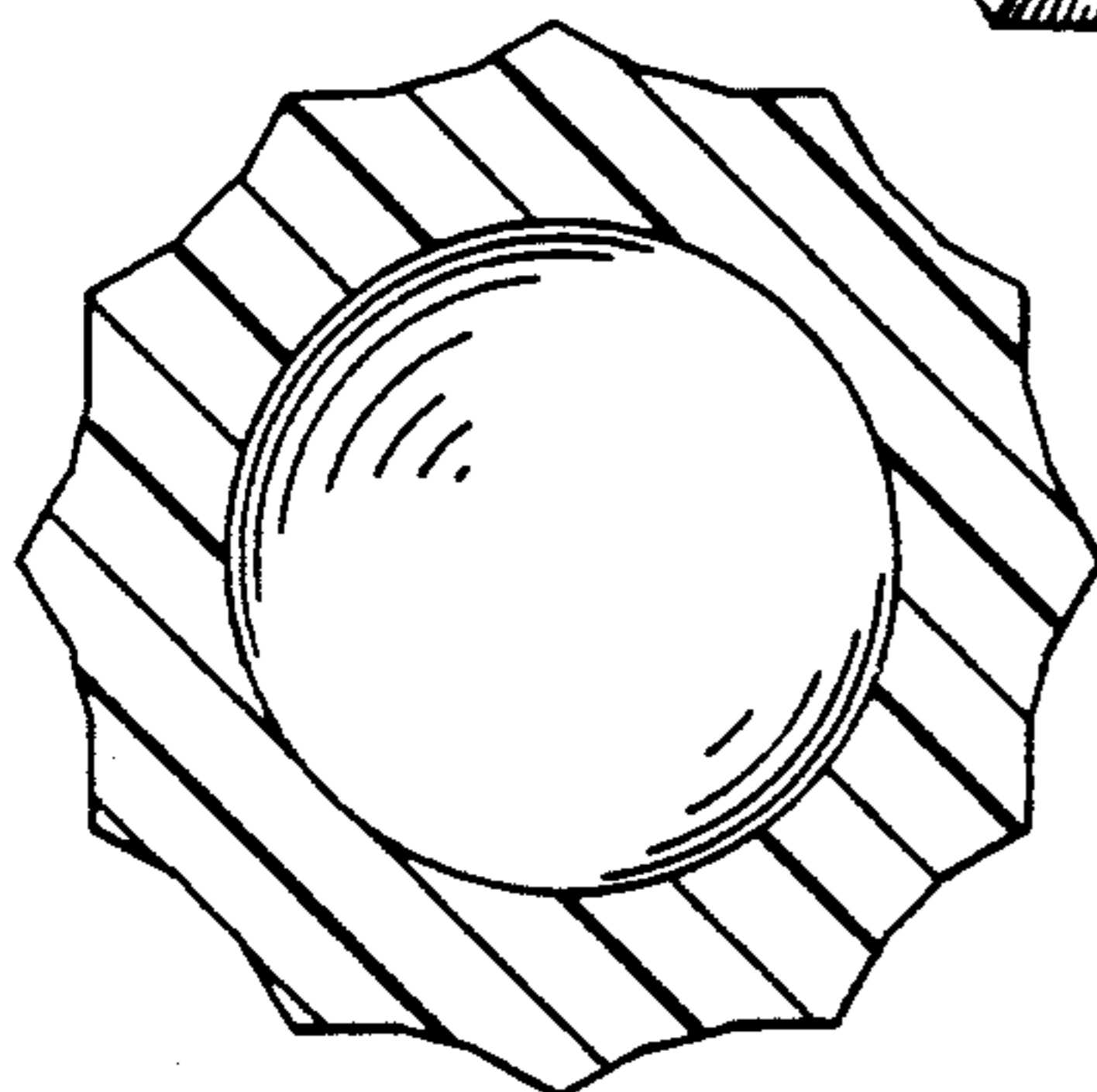


FIG. 5

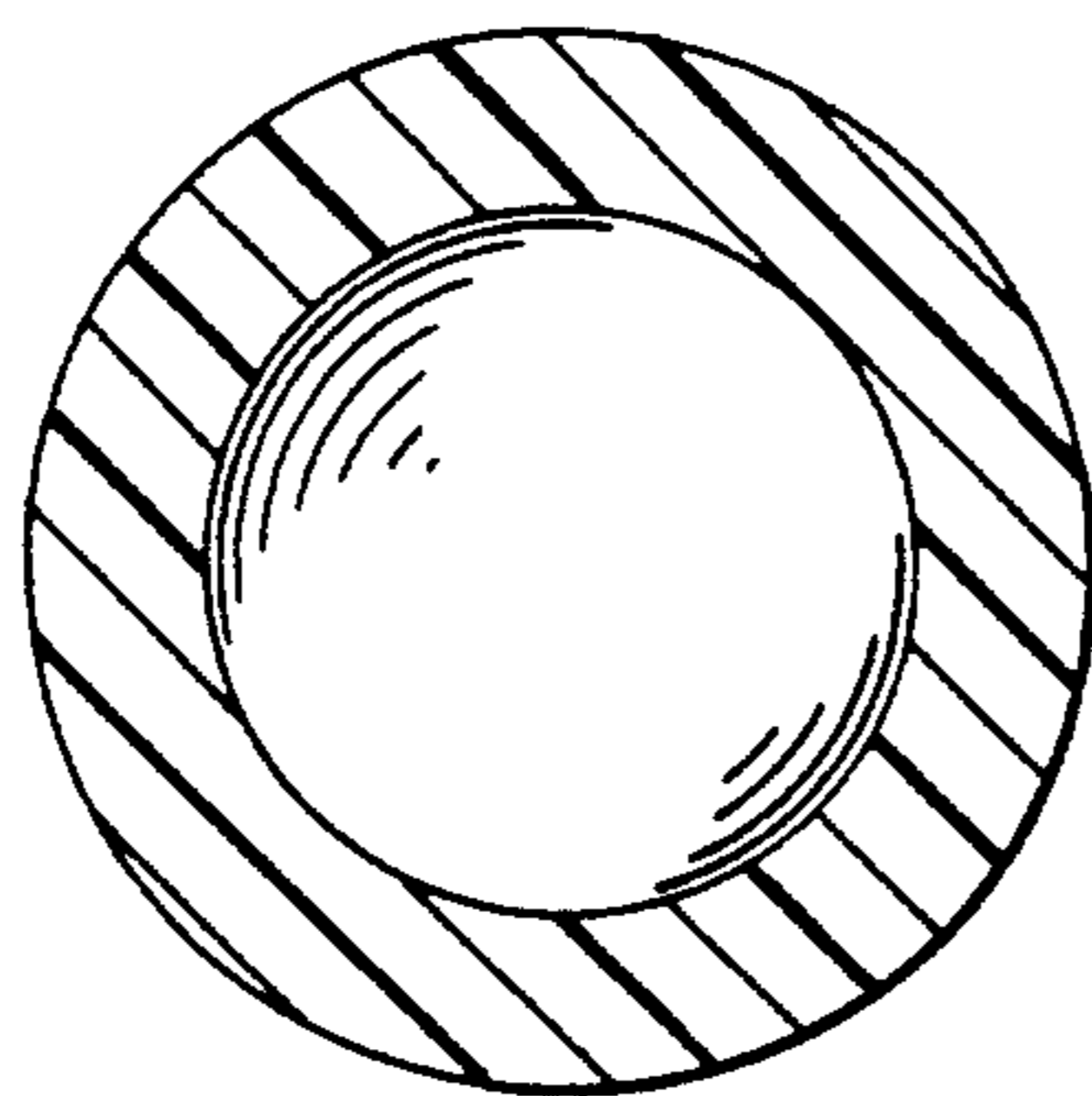


FIG. 6

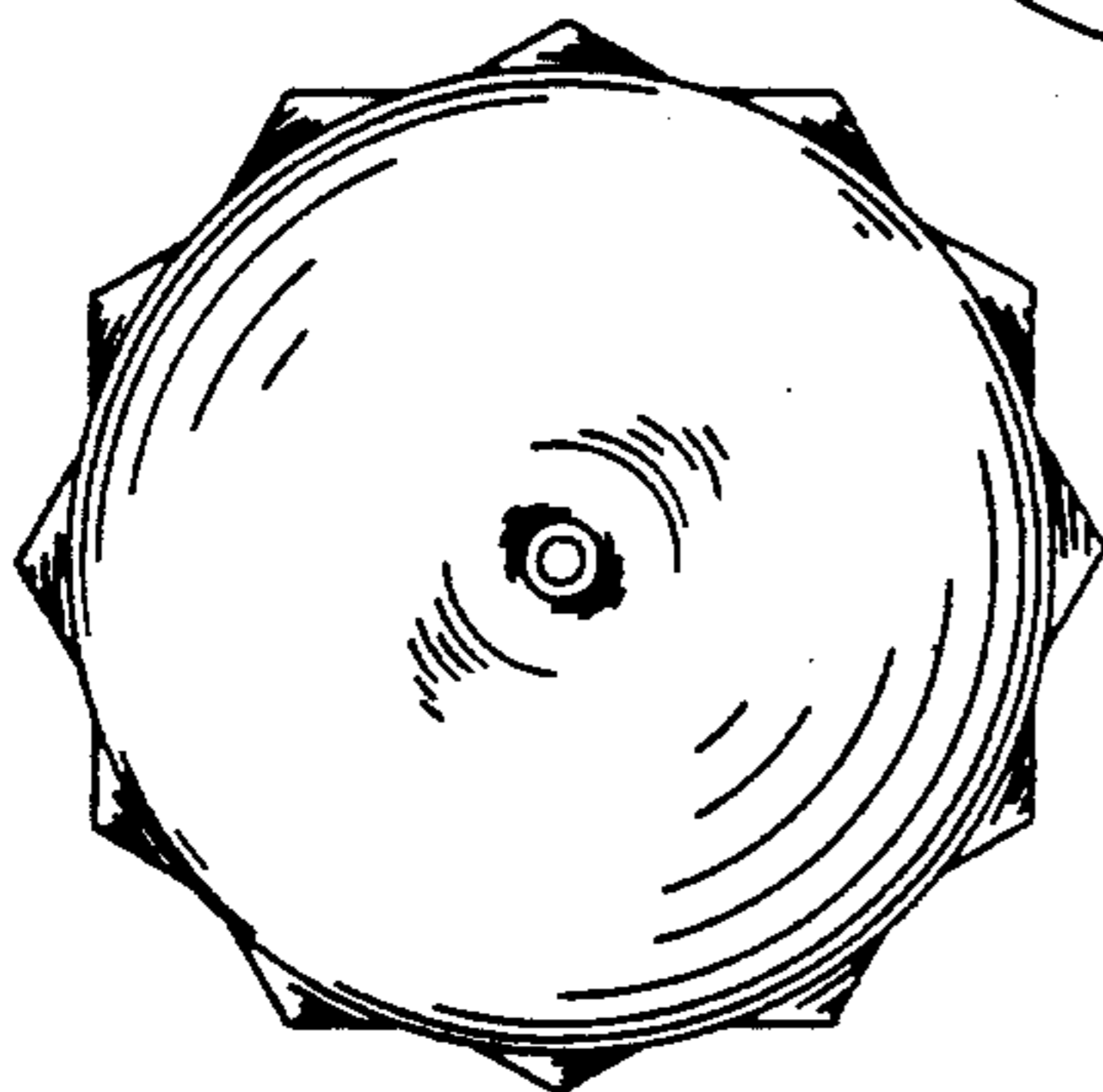


FIG. 7

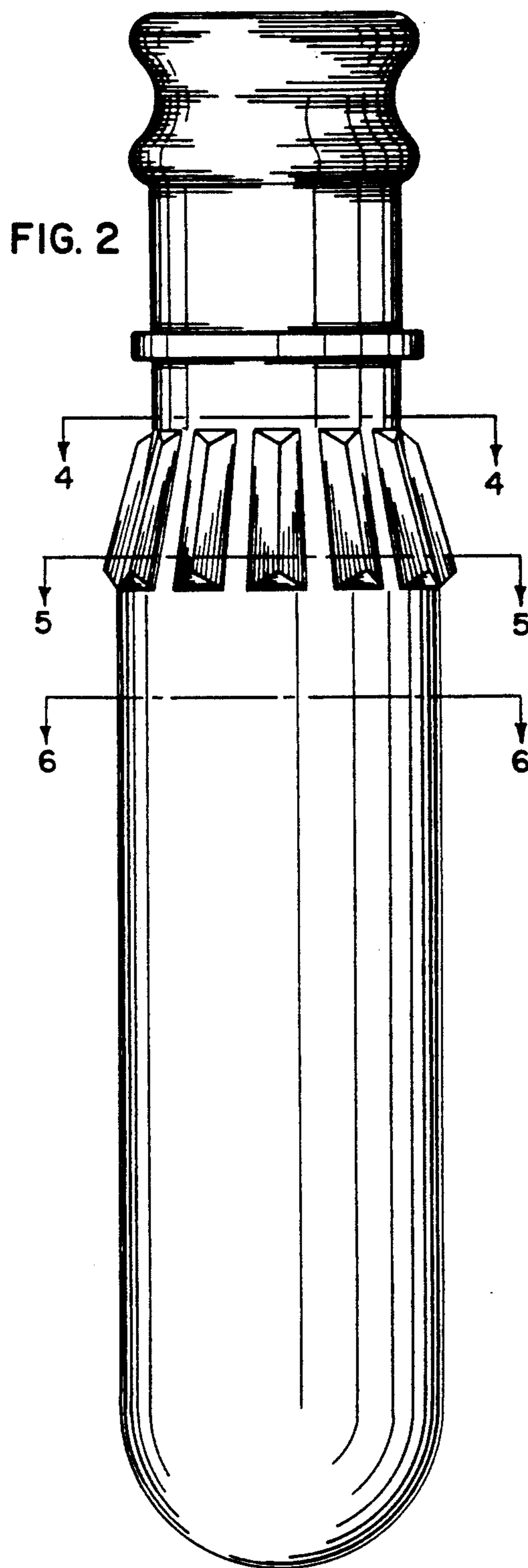


FIG. 2