



US00D342026S

# United States Patent [19]

[11] Patent Number: **Des. 342,026**

Cross

[45] Date of Patent: **\*\* Dec. 7, 1993**

## [54] CONTAINER FOR A DOWSER

[76] Inventor: **Walter Cross, 1313 Molokai Dr., Forked River, N.J. 08731**

[\*\*] Term: **14 Years**

[21] Appl. No.: **758,077**

[22] Filed: **Sep. 12, 1991**

[52] U.S. Cl. .... **D9/432**

[58] Field of Search ..... **D9/432, 418, 414, 415, D9/337, 341; D3/35, 78, 79; 206/387, 312, 313, 45.15, 305; 324/323, 324, 325, 326, 329, 800; D10/46, 160, 78, 80**

4,423,377 12/1983 Podhrasky ..... 324/329  
4,860,901 8/1989 Hochreother et al. .... 206/305 X  
4,986,419 1/1991 Collett et al. .... 206/387

### OTHER PUBLICATIONS

Video review Aug. 1982, p. 28.  
The Sunday Star, Washington, D.C., Dec. 3, 1950, p. B-9 Divine Rod.  
Electronics, Feb. 1953, p. 389, Water Drawers.

*Primary Examiner*—Prabhakar G. Deshmukh  
*Attorney, Agent, or Firm*—Terry M. Gernstein

### [56] References Cited

#### U.S. PATENT DOCUMENTS

D. 248,377	7/1978	Wolfe	.....	D10/46
D. 275,654	9/1984	Yoshizawa	.....	D9/432
D. 278,040	3/1985	Conley	.....	D10/46
D. 279,355	6/1985	Ujii	.....	D9/432
D. 319,587	9/1991	Lee	.....	D3/35 X
3,104,434	9/1963	Clark	.....	324/800 X
4,071,140	1/1978	Rattner	.....	206/45.15 X
4,322,000	3/1982	Struble	.....	206/387
4,339,034	7/1982	Panveno	.....	206/313

### [57] CLAIM

The ornamental design for a container for a dowser, as shown and described.

### DESCRIPTION

FIG. 1 is a perspective view of a container for a dowser showing our new design;  
FIG. 2 is a front elevational view thereof; the rear elevational view being a mirror image thereof;  
FIG. 3 is a left side elevational view thereof;  
FIG. 4 is a right side elevational view thereof;  
FIG. 5 is a top plan view thereof; and,  
FIG. 6 is a bottom plan view thereof.

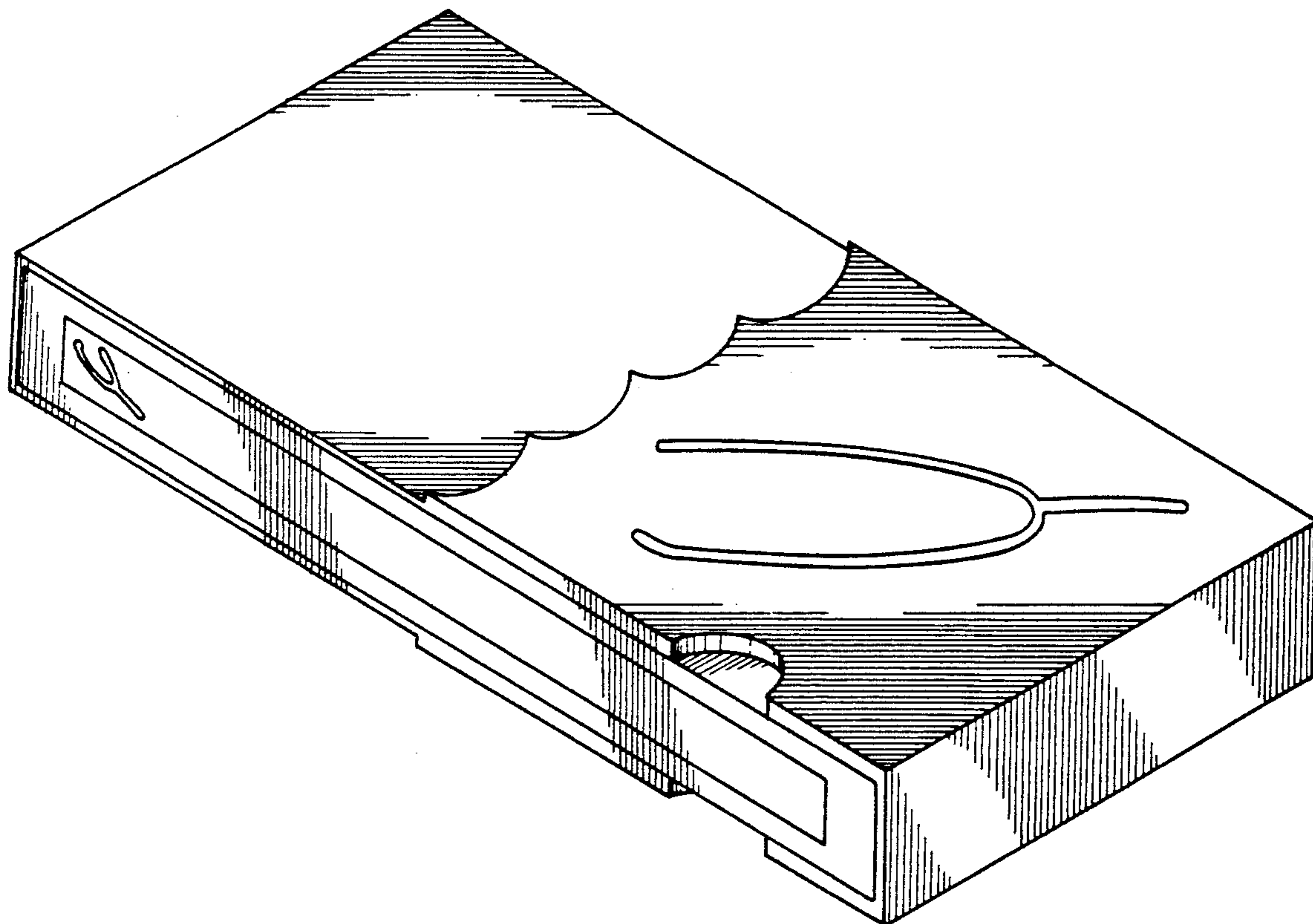


FIG. 1.

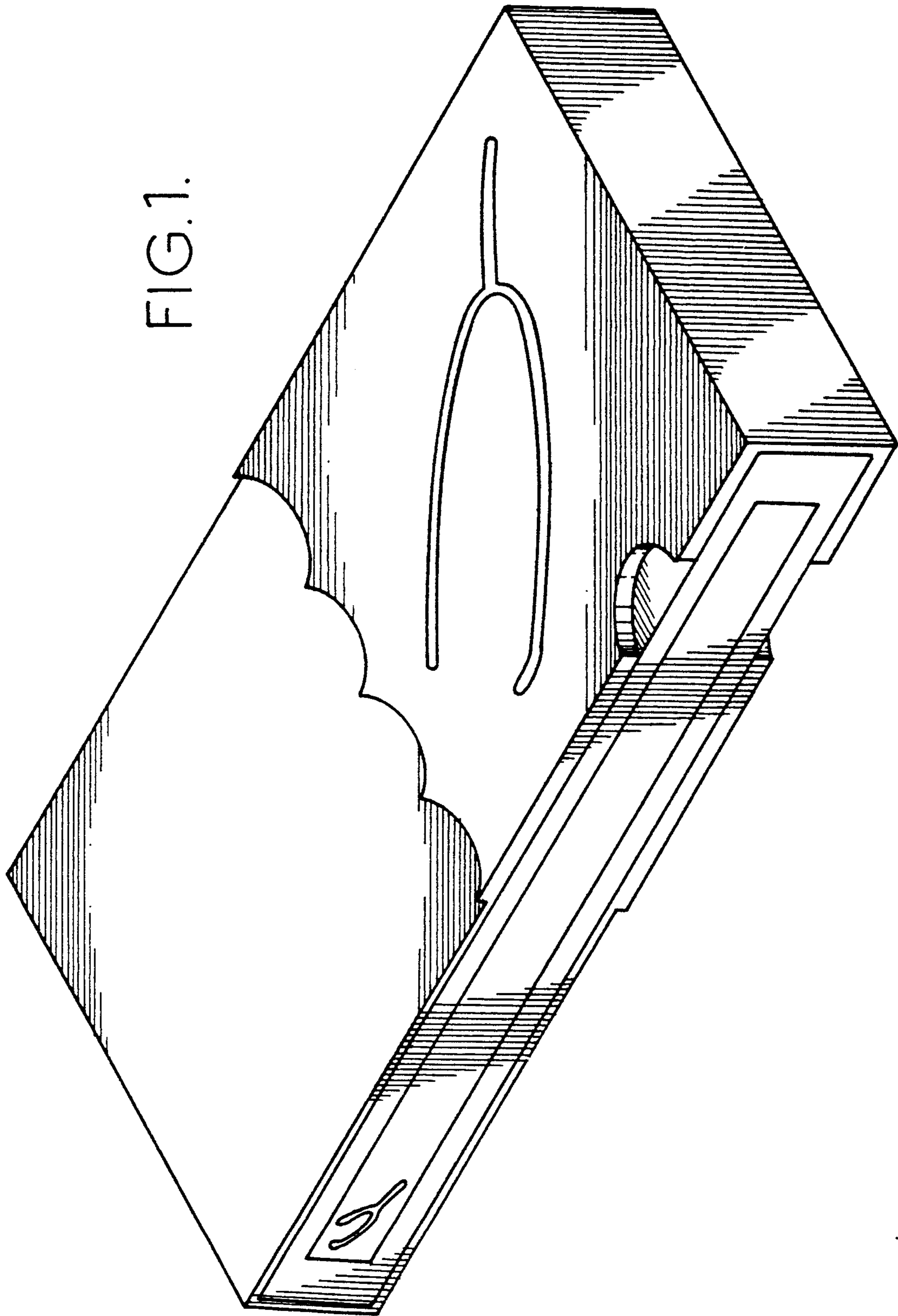


FIG. 3.



FIG. 4.

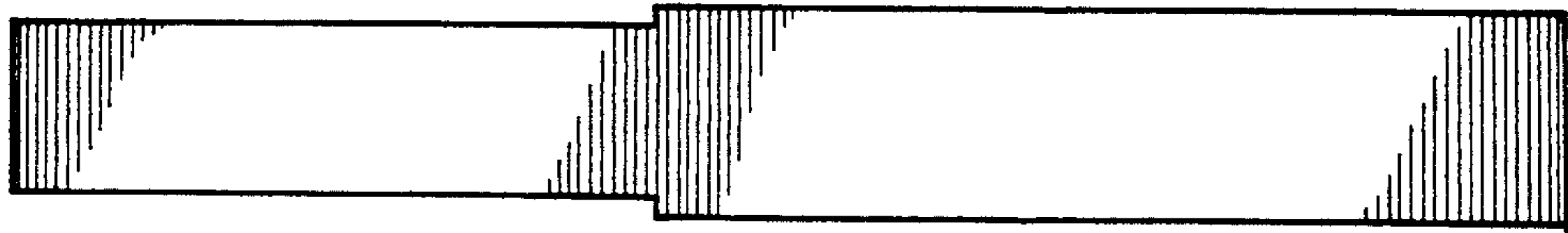


FIG. 2.

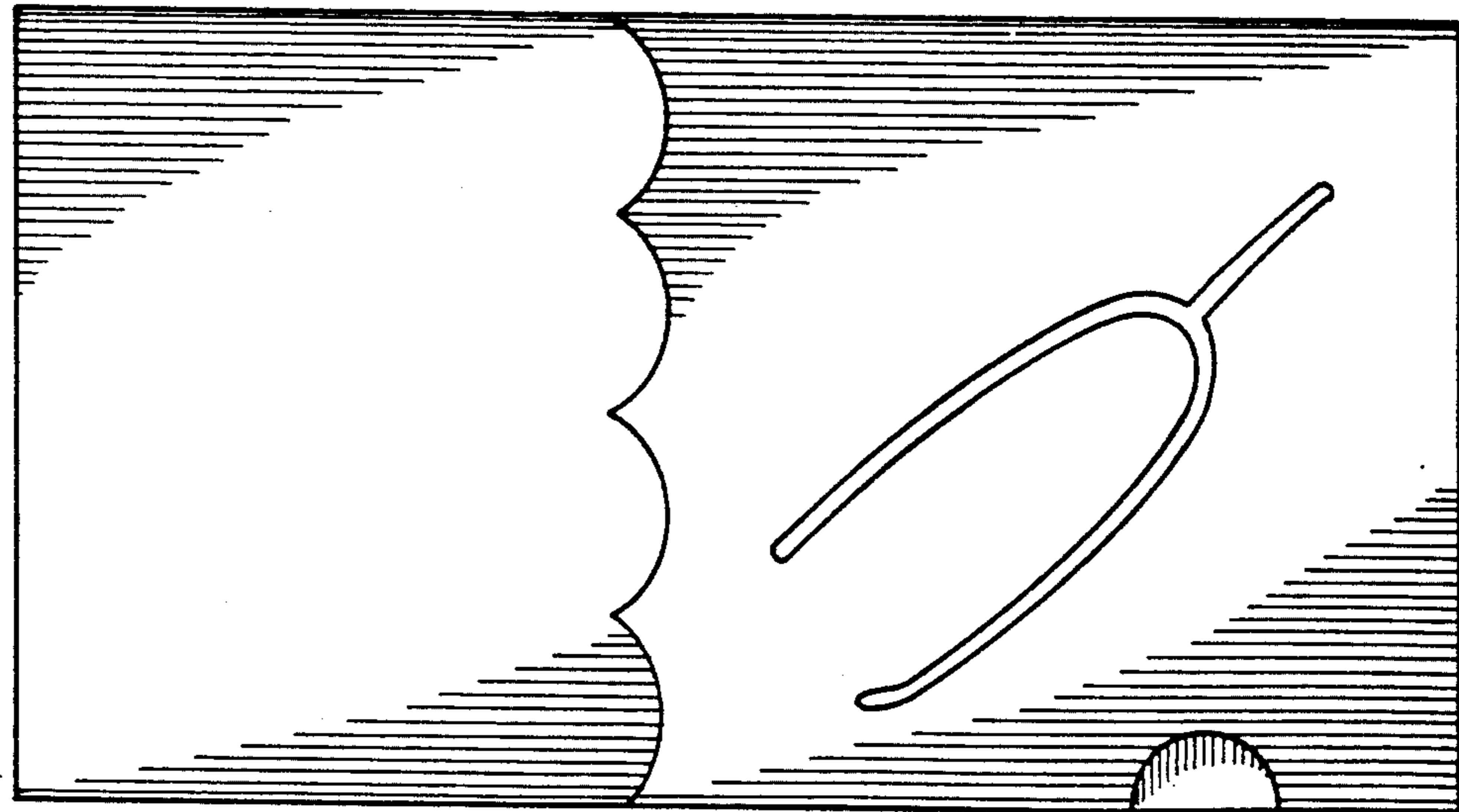


FIG. 5.

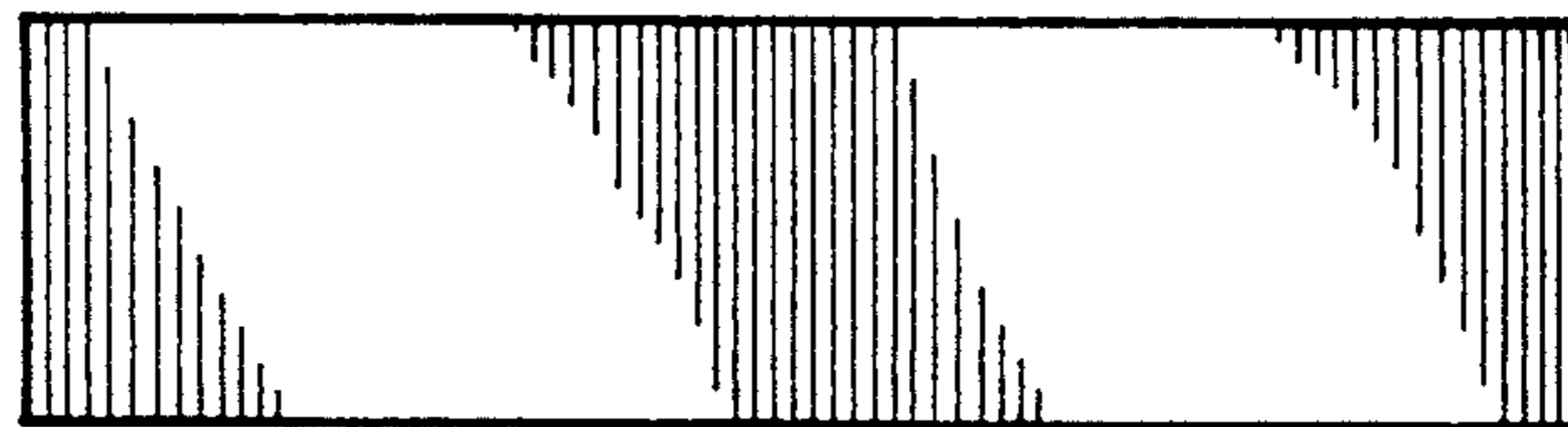
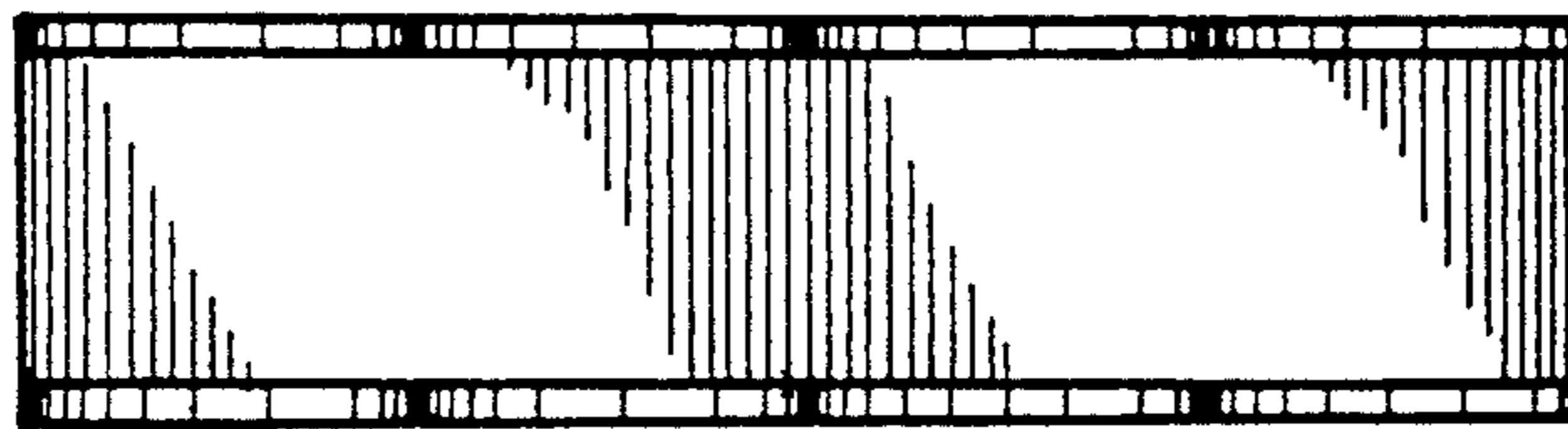


FIG. 6.