



US00D342021S

United States Patent [19]

[11] Patent Number: **Des. 342,021**

Porta

[45] Date of Patent: **** Dec. 7, 1993**

[54] **COMBINED DISPENSING CONTAINER, CAP AND APPLICATOR FOR A COSMETIC PRODUCT**

D. 331,534 12/1992 Thompson et al. D9/338
3,912,403 10/1975 Gjerloff 401/82 X
4,621,935 11/1986 Sussman 220/200 X

[75] Inventor: **Jose D. Porta**, Barcelona, Spain

[73] Assignee: **Peusek, S.A.**, Barcelona, Spain

[**] Term: **14 Years**

[21] Appl. No.: **795,096**

[22] Filed: **Nov. 20, 1991**

[30] **Foreign Application Priority Data**

May 27, 1991 [ES] Spain 125.016

[52] U.S. Cl. **D9/338**

[58] Field of Search D9/337, 338, 504, 529,
D9/540, 546, 549, 573, 574, 436; D28/4, 10, 7;
215/1 R, 1 C; 401/49, 88, 55, 95, 82, 98, 85,
176, 202; 220/200-203

[56] **References Cited**

U.S. PATENT DOCUMENTS

D. 262,266 12/1981 Hadtke et al. D9/529 X
D. 292,069 9/1987 Keeler et al. D9/573 X
D. 292,484 10/1987 Keeler et al. D9/573 X

OTHER PUBLICATIONS

Aerosal Age; Feb. 1985; p. 12; dispenser lower, center, right of page (lying on its back).

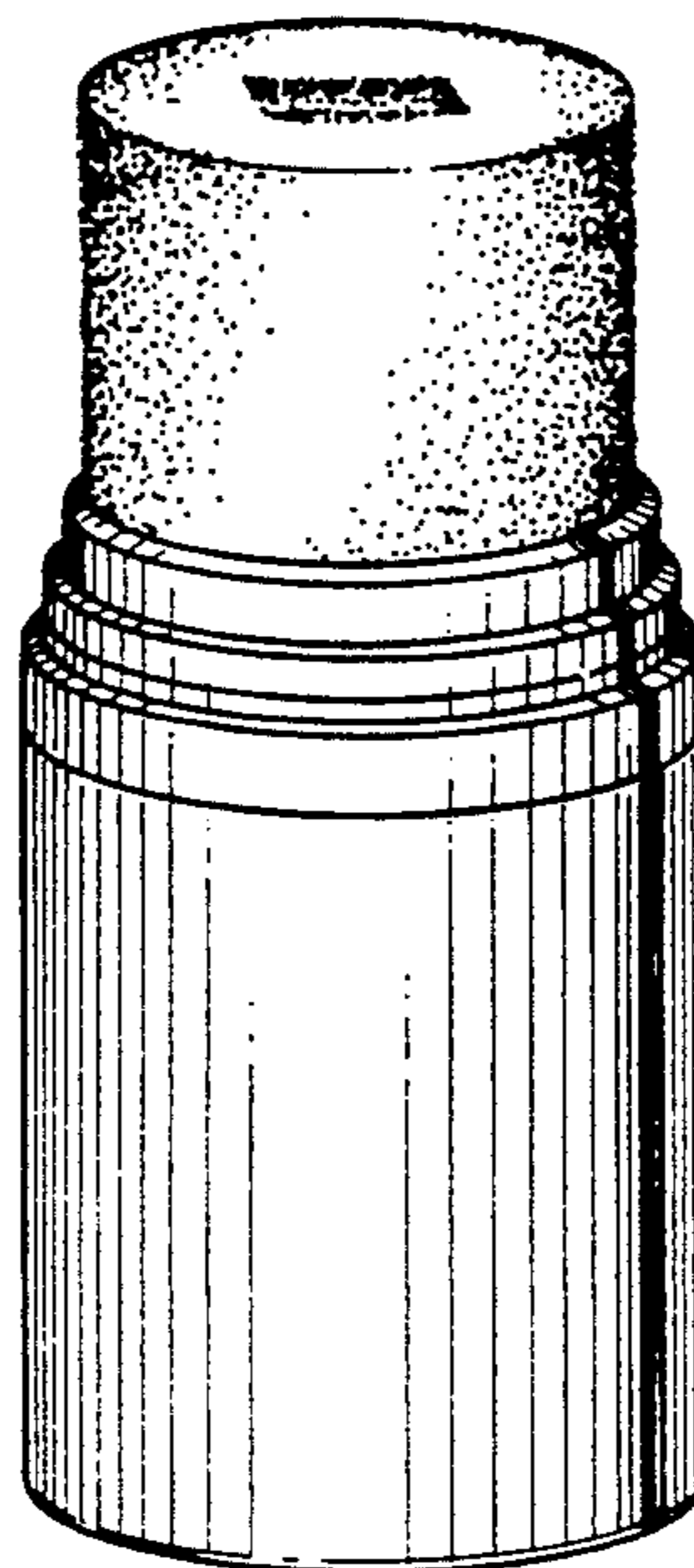
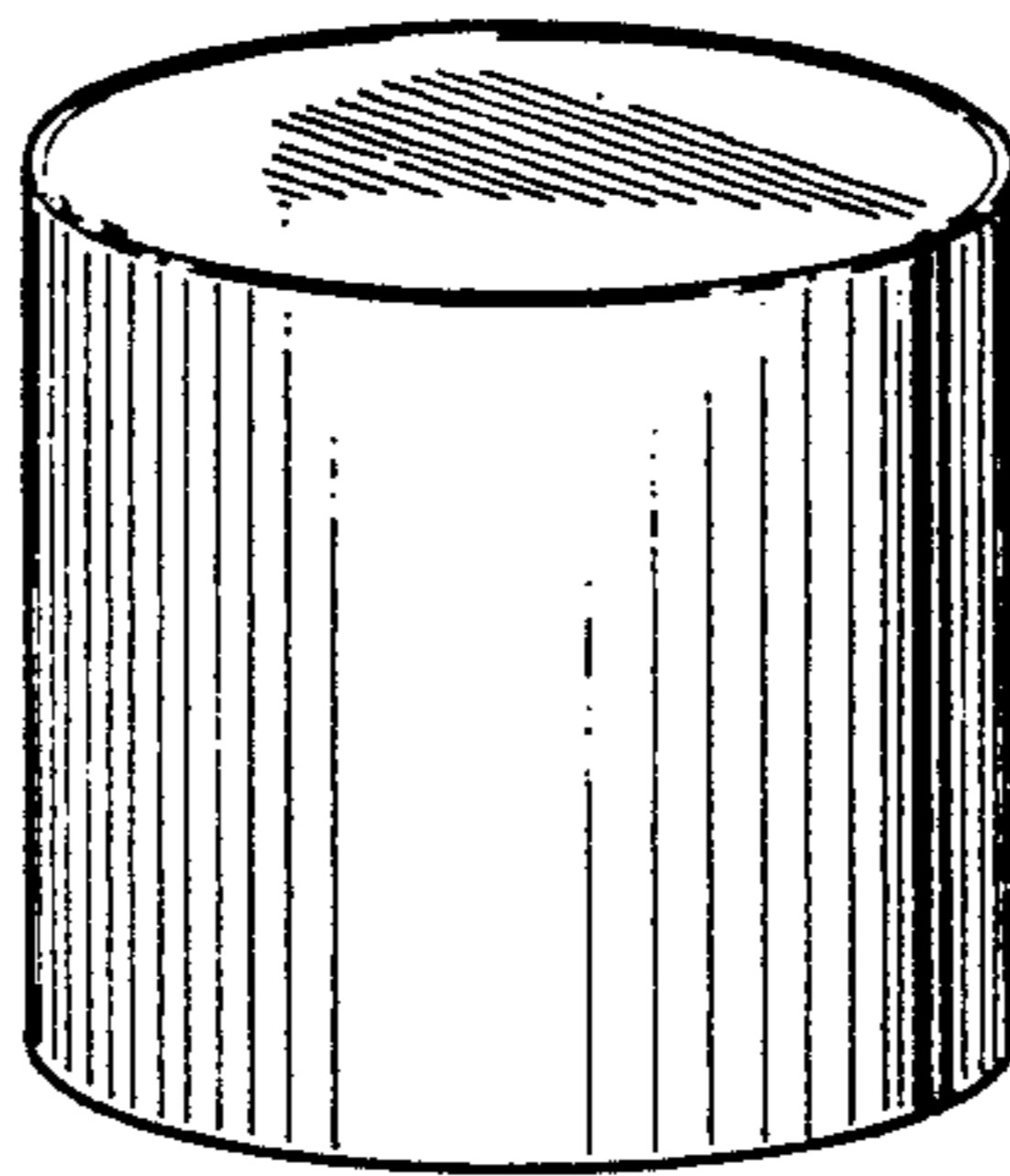
Primary Examiner—Bernard Ansher
Assistant Examiner—Mitchell Siegel
Attorney, Agent, or Firm—Brumbaugh, Graves, Donohue & Raymond

[57] **CLAIM**

The ornamental design for a combined dispensing container, cap and applicator for a cosmetic product, as shown and described.

DESCRIPTION

FIG. 1 is a top and front perspective view of a combined dispensing container, cap and applicator for a cosmetic product showing my new design; FIG. 2 is a front elevational view thereof, the undisclosed opposite side being a mirror image; FIG. 3 is a bottom plan view thereof; and, FIG. 4 is a top plan view thereof.



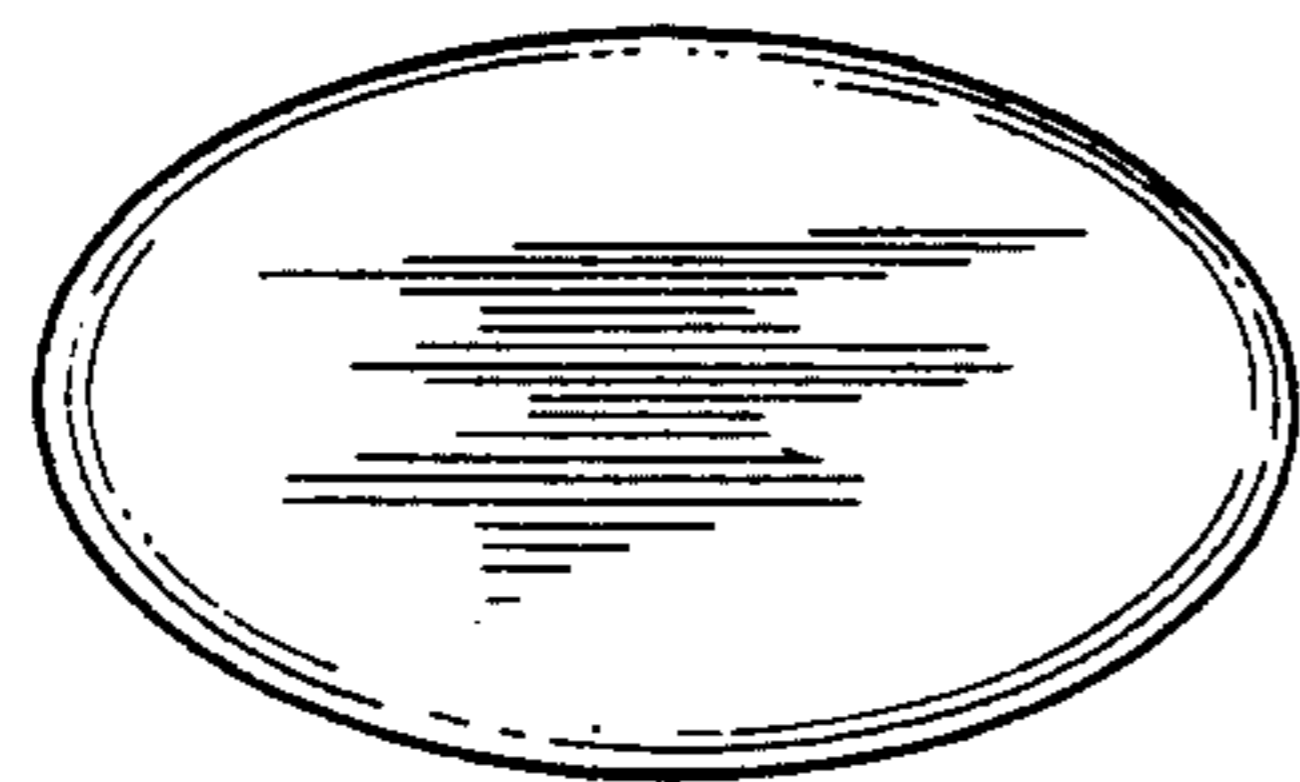
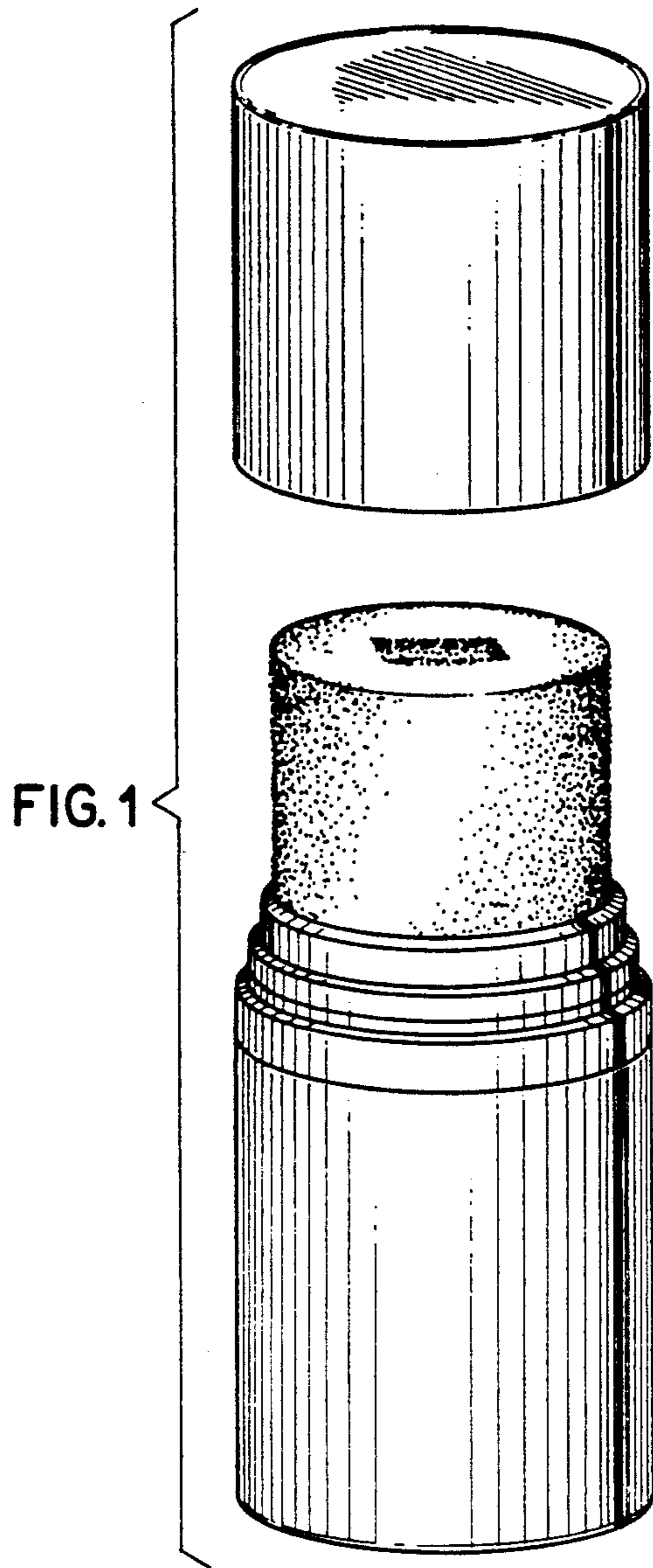


FIG. 3

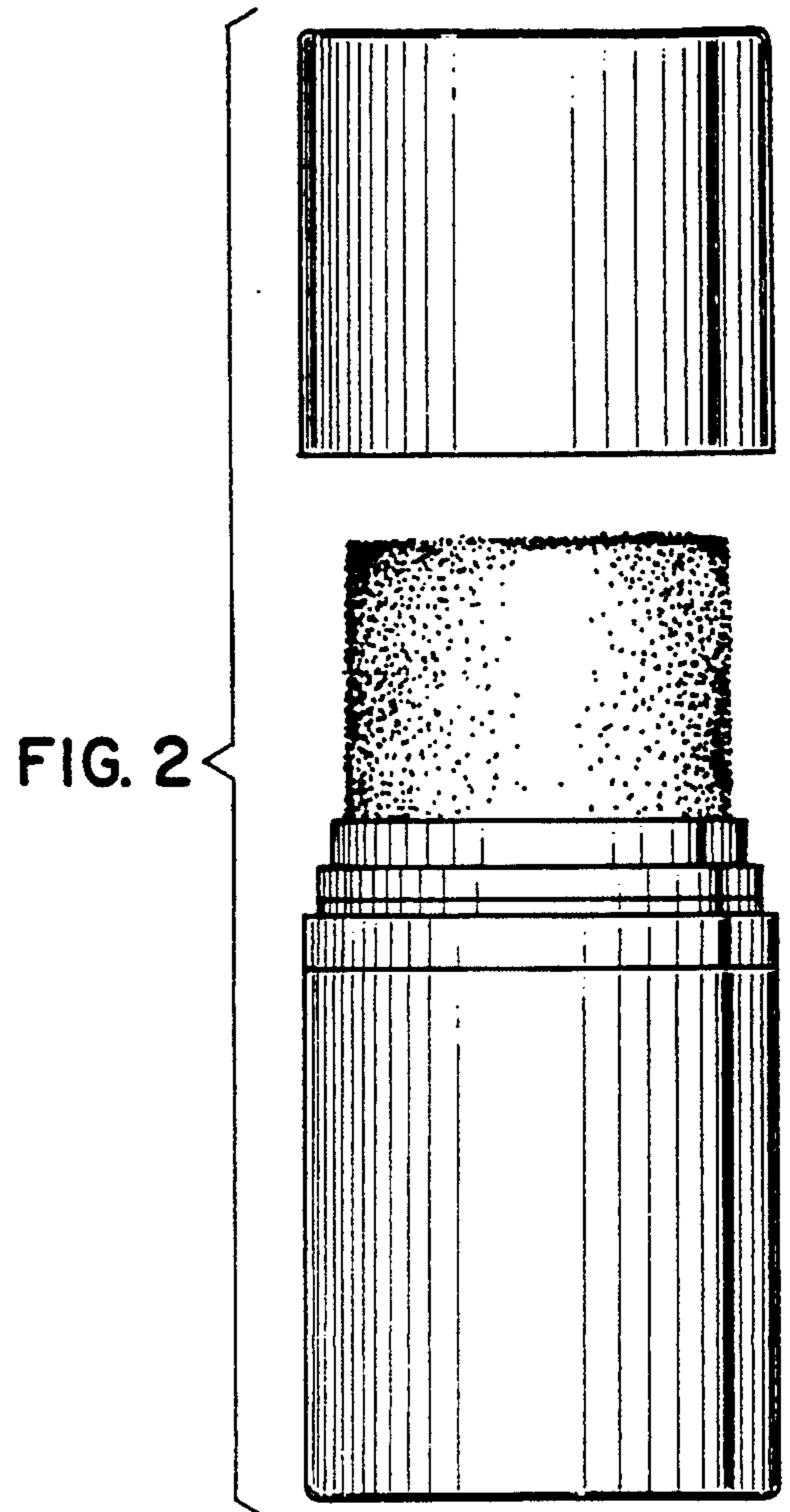


FIG. 4