



US00D342016S

# United States Patent [19]

[11] Patent Number: **Des. 342,016**

**Ziegelmann**

[45] Date of Patent: **\*\* Dec. 7, 1993**

## [54] DOWN SPOUT EXTENSION HOLDER

[76] Inventor: **Terry J. Ziegelmann, 94F**  
Prairiewood Dr., Fargo, N. Dak.  
58103

[\*\*] Term: **14 Years**

[21] Appl. No.: **747,750**

[22] Filed: **Aug. 20, 1991**

[52] U.S. Cl. .... **D8/380**

[58] Field of Search ..... **D8/354, 356, 380, 1;**  
**248/49, 87, 176; 239/276**

### [56] References Cited

#### U.S. PATENT DOCUMENTS

3,091,401 5/1963 Hruby, Jr. .... 248/87  
4,161,302 7/1979 Stuhlman .  
4,440,370 4/1984 Rood ..... 248/87 X

#### OTHER PUBLICATIONS

Architectural Graphic Standards, 1980, p. 372, Gutter Hangers, item A at right of page.  
Rain Drain Brochure Submitted on Jan. 14, 1992.

*Primary Examiner*—Wallace R. Burke  
*Assistant Examiner*—H. Baynham  
*Attorney, Agent, or Firm*—Robert E. Kleve

### [57] CLAIM

The ornamental design for a down spout extension holder, as shown and described.

### DESCRIPTION

FIG. 1 is a perspective view of the ornamental design for a down spout extension holder, showing the article in use;

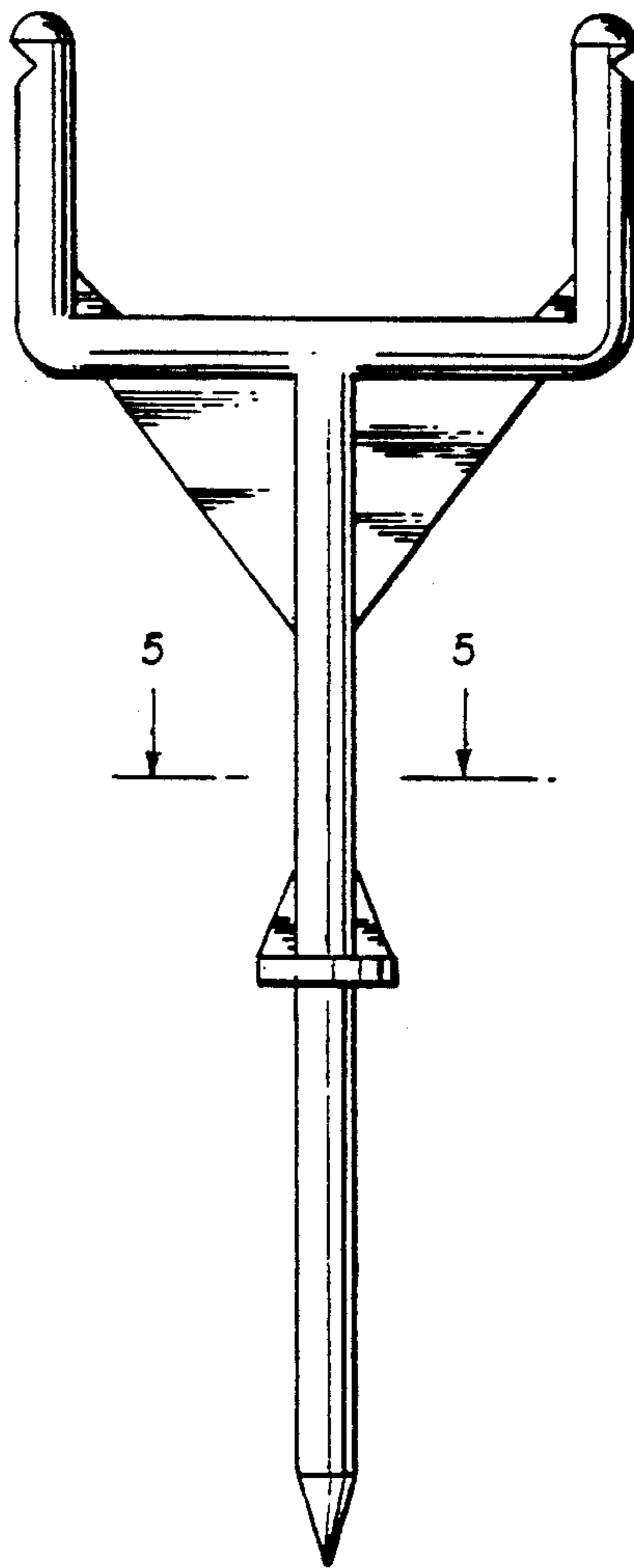
FIG. 2 is a side elevational view of the ornamental design for a down spout extension holder with the opposite side being a mirror image;

FIG. 3 is an end view of the ornamental design for a down spout extension holder with the opposite end being a mirror image;

FIG. 4 is a top view of the ornamental design for a down spout extension holder; and

FIG. 5 is a cross-sectional view taken along line 5—5 of FIG. 4.

The broken lines showing of a down spout extension is for illustrative purposes only and forms no part of the claimed design.



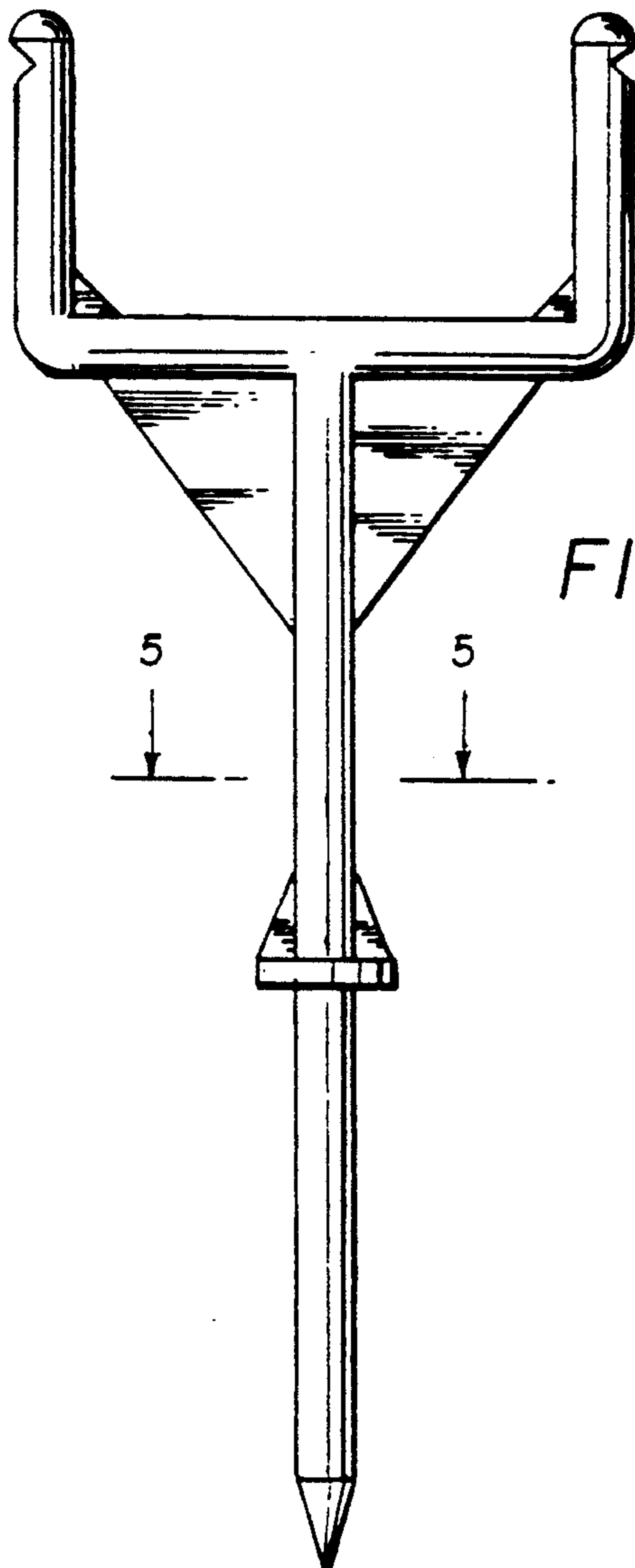
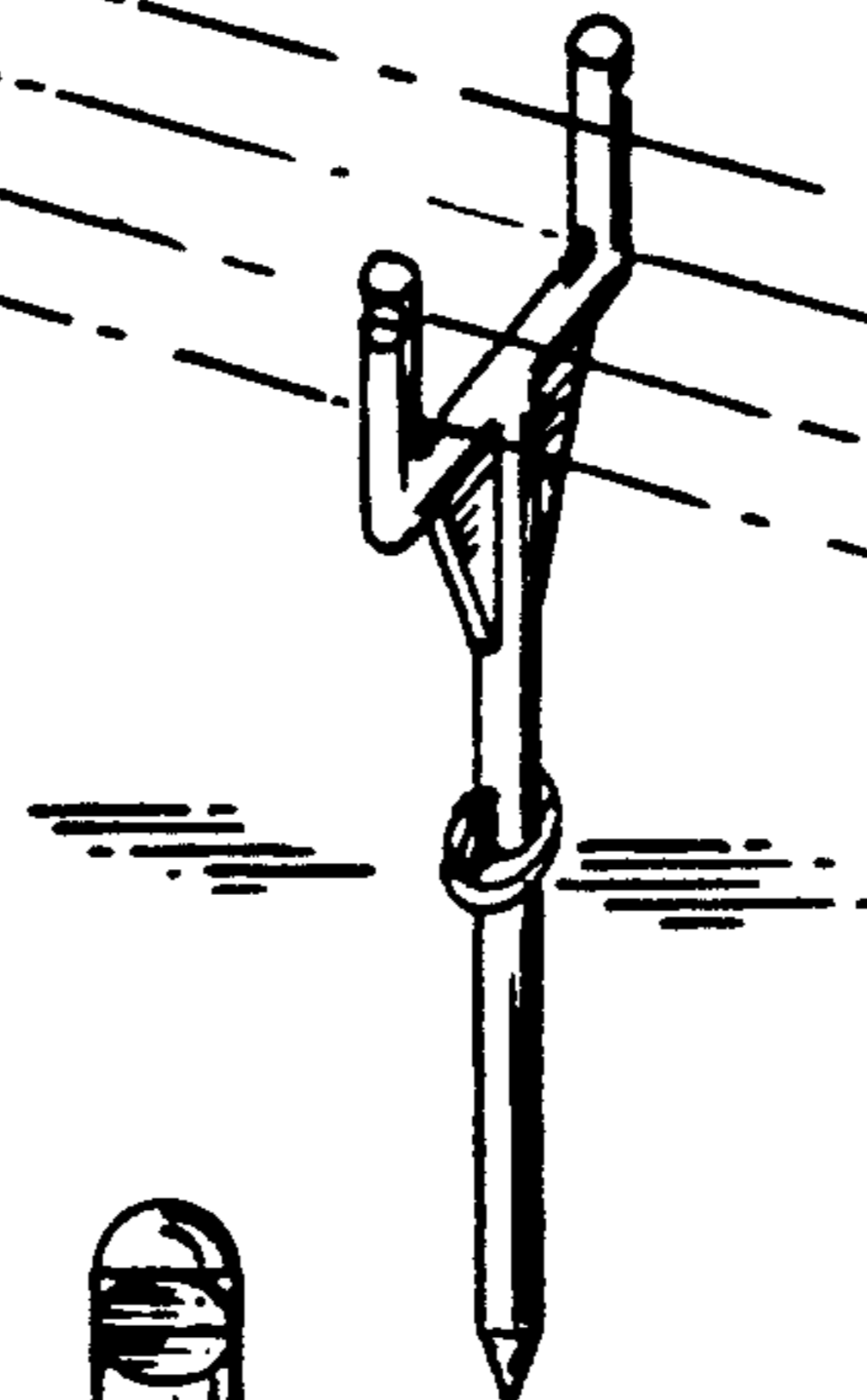
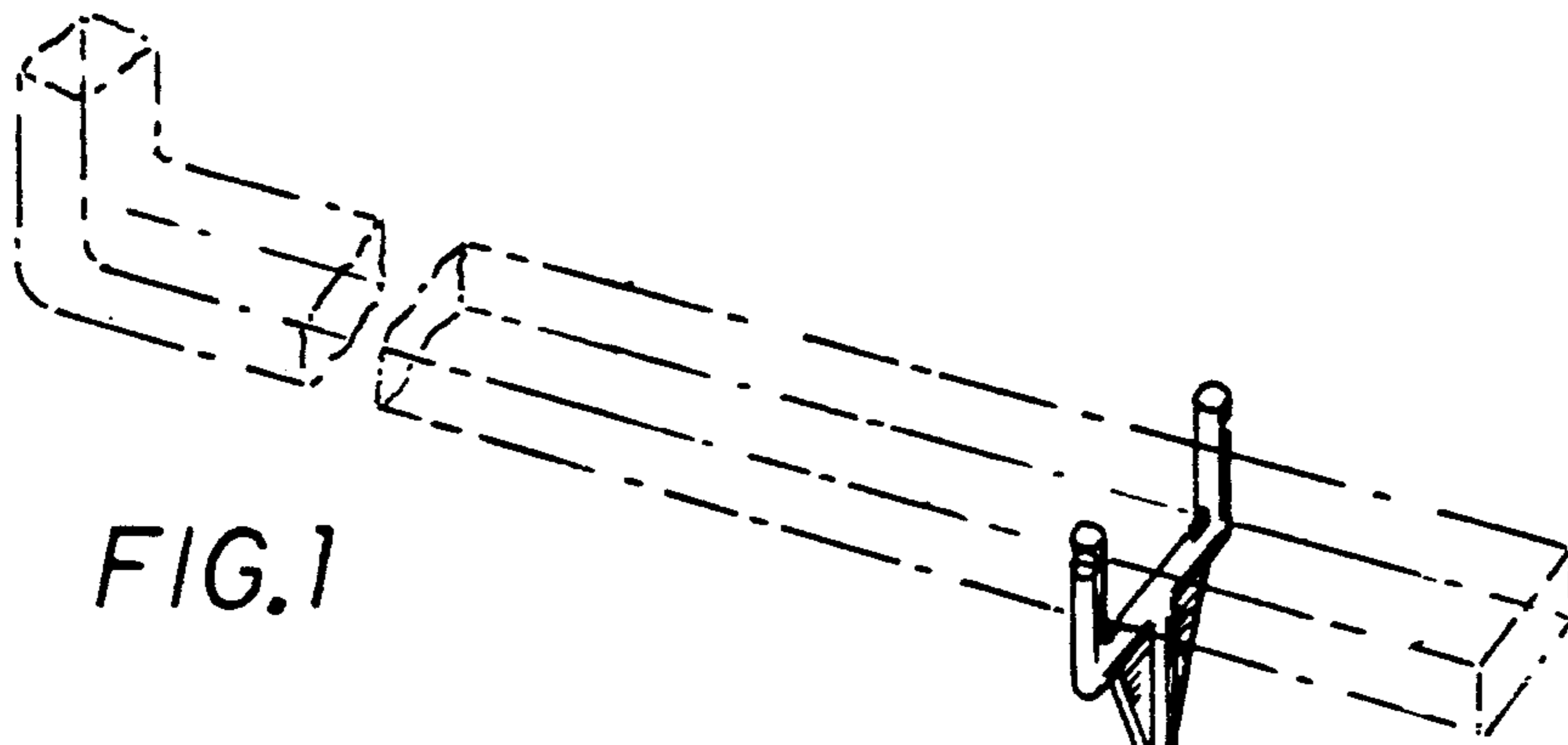


FIG. 5

