



US00D342015S

# United States Patent [19]

[11] Patent Number: **Des. 342,015**

**Andrejew**

[45] Date of Patent: **\*\* Dec. 7, 1993**

## [54] COMBINED HORIZONTAL WALL MOUNT AND VERTICAL STANDARD

[75] Inventor: **Jarmo Andrejew, Vuorentausta, Finland**

[73] Assignee: **Sovella - Trade Oy, Ylöjärvi, Finland**

[\*\*] Term: **14 Years**

[21] Appl. No.: **757,515**

[22] Filed: **Sep. 11, 1991**

### [30] Foreign Application Priority Data

Jun. 13, 1991 [FI] Finland ..... 505/91

[52] U.S. Cl. .... **D8/373; D6/553**

[58] Field of Search ..... **D6/491, 509, 495-496, D6/499; D8/373-376, 380-381; 211/13, 88, 60.1, 87, 90, 94, 100, 191, 204, 206, 182; 248/219.1, 225.2, 489, 221.3; D25/70, 73-79; 108/152, 108; 52/656**

### [56] References Cited

#### U.S. PATENT DOCUMENTS

- D. 286,495 11/1986 Blumdahl ..... D8/373
- 3,928,929 12/1975 Forte ..... 248/225.2 X
- 3,993,002 11/1976 Stroh ..... 108/108 X
- 4,122,955 10/1978 Celms ..... 108/108 X
- 4,185,422 1/1980 Radek ..... 52/656 X

#### FOREIGN PATENT DOCUMENTS

32205 9/1987 Sweden .

*Primary Examiner*—Brian N. Vinson  
*Attorney, Agent, or Firm*—Burns, Doane, Swecker & Mathis

## [57] CLAIM

The ornamental design for combined horizontal wall mount and vertical standard, as shown and described.

## DESCRIPTION

FIG. 1 is a top, front, and left side perspective view of a combined horizontal wall mount and vertical standard showing my new design;

FIG. 2 is a left side elevational view thereof, the right side being a mirror image of that shown;

FIG. 3 is a rear elevational view thereof;

FIG. 4 is a top plan view thereof;

FIG. 5 is a front elevational view thereof;

FIG. 6 is a top front and left side perspective view of the vertical standard portion thereof, the horizontal wall mount portion being omitted for clarity of illustration;

FIG. 7 is a front elevational view of the vertical standard portion thereof;

FIG. 8 is a rear elevational view of the vertical standard portion thereof;

FIG. 9 is a left side elevational view of the vertical standard portion thereof, the right side being a mirror image of that shown;

FIG. 10 is a top plan view of the vertical standard portion thereof, the bottom being identical in appearance;

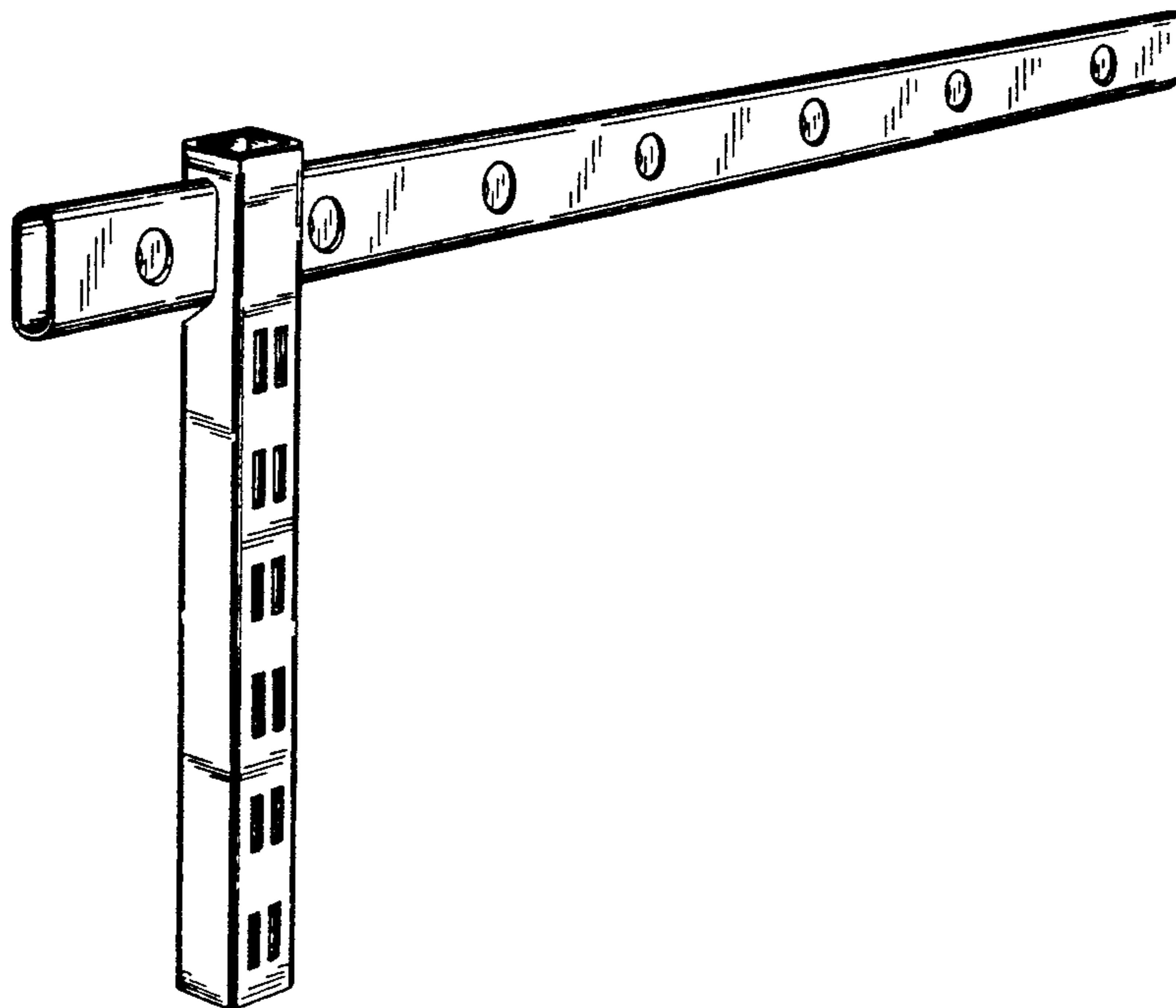
FIG. 11 is a top, front, and left side perspective view of the wall mount portion thereof;

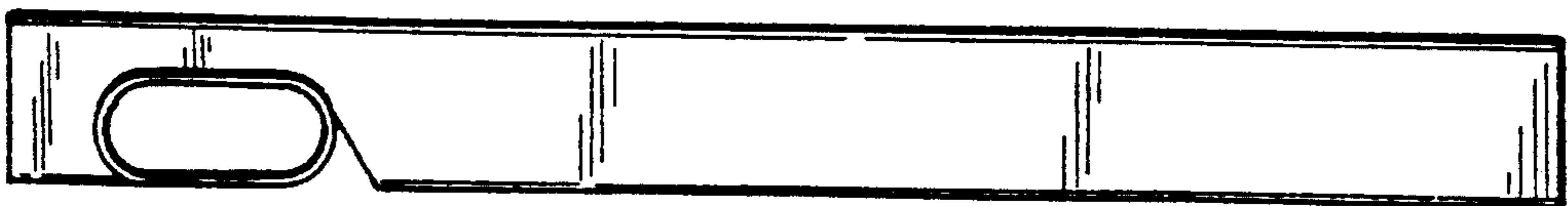
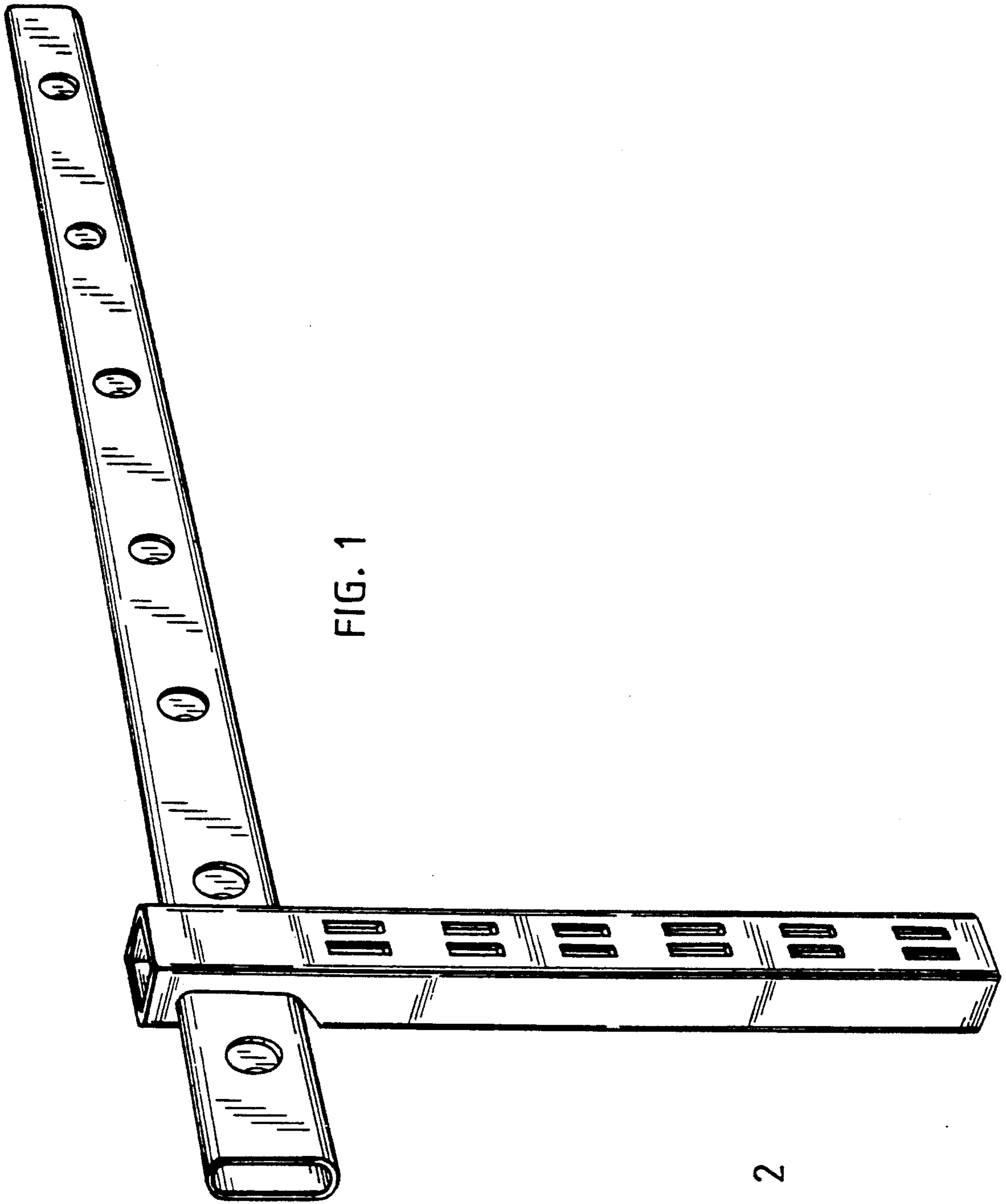
FIG. 12 is a front elevational view of the wall mount portion thereof;

FIG. 13 is a rear elevational view of the wall mount portion thereof;

FIG. 14 is a top plan view of the wall mount portion thereof; and,

FIG. 15 is a left side elevational view of the wall mount portion thereof, the right side being identical in appearance.





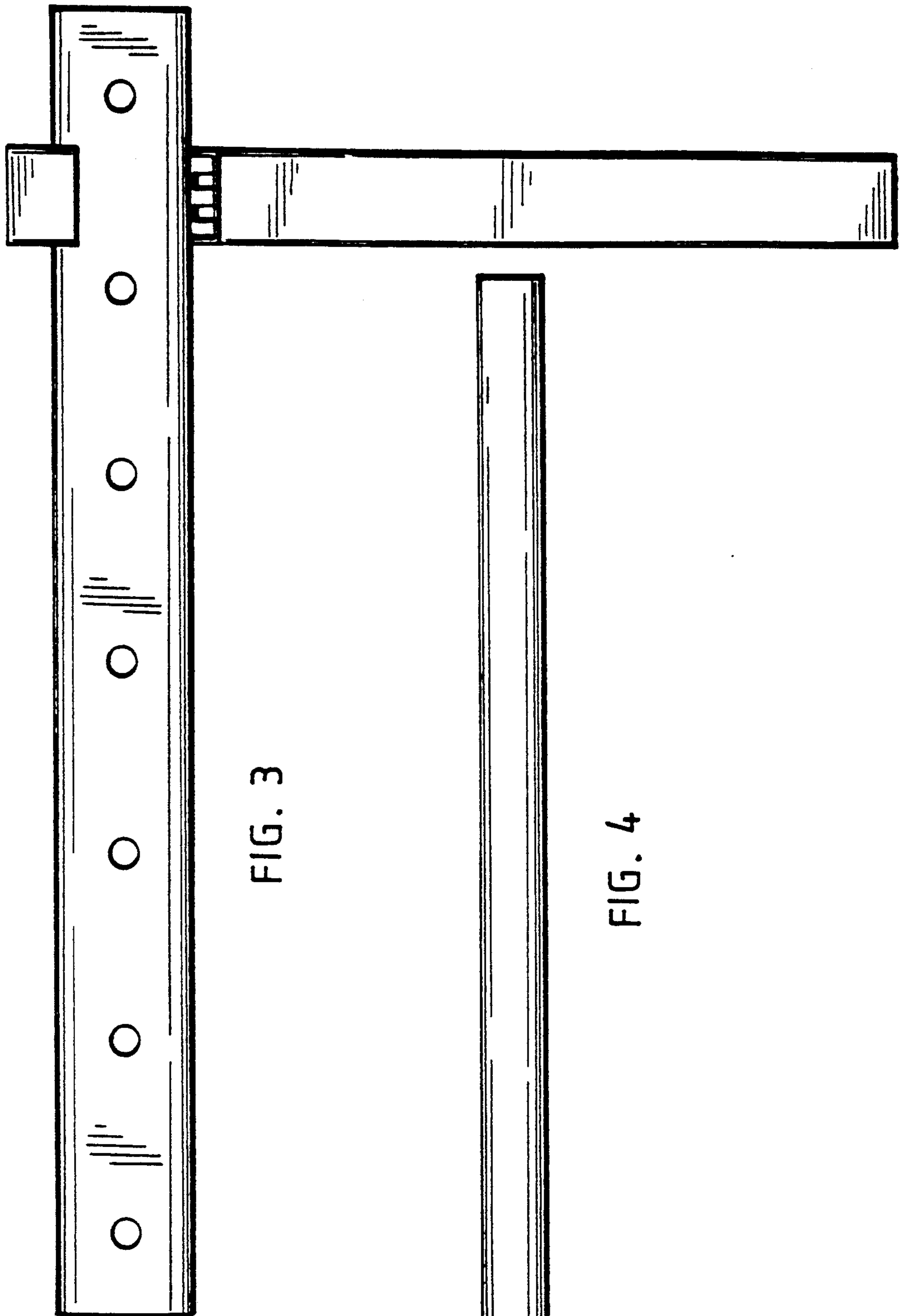


FIG. 3

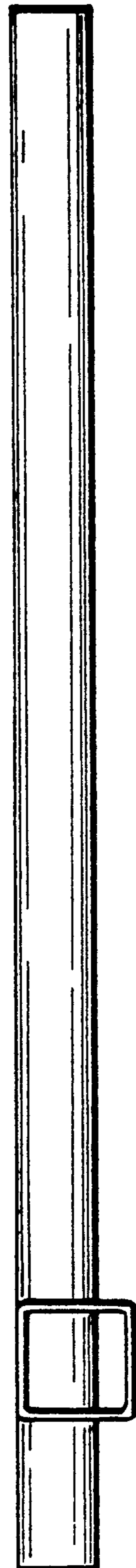


FIG. 4

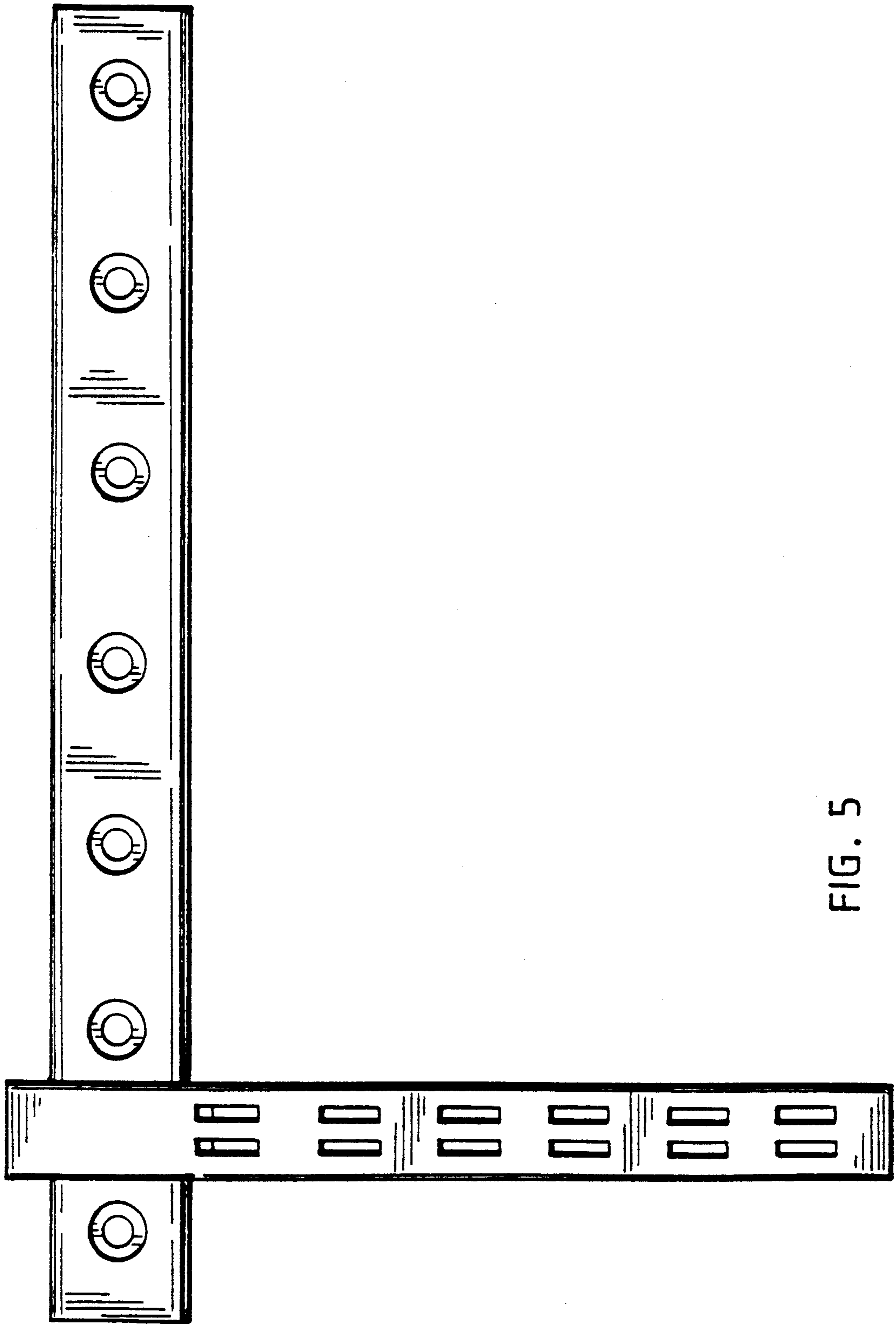


FIG. 5



FIG. 6



FIG. 7



FIG. 8



FIG. 9

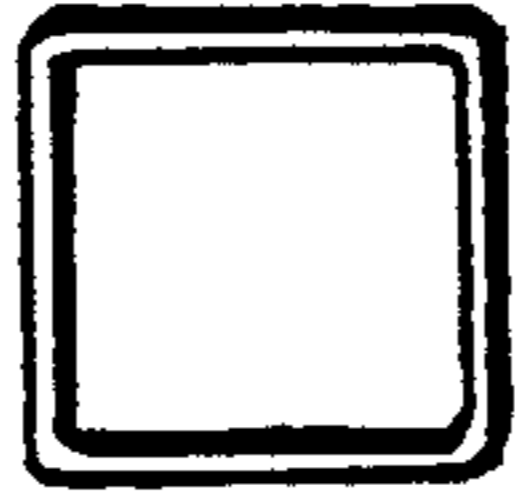


FIG. 10

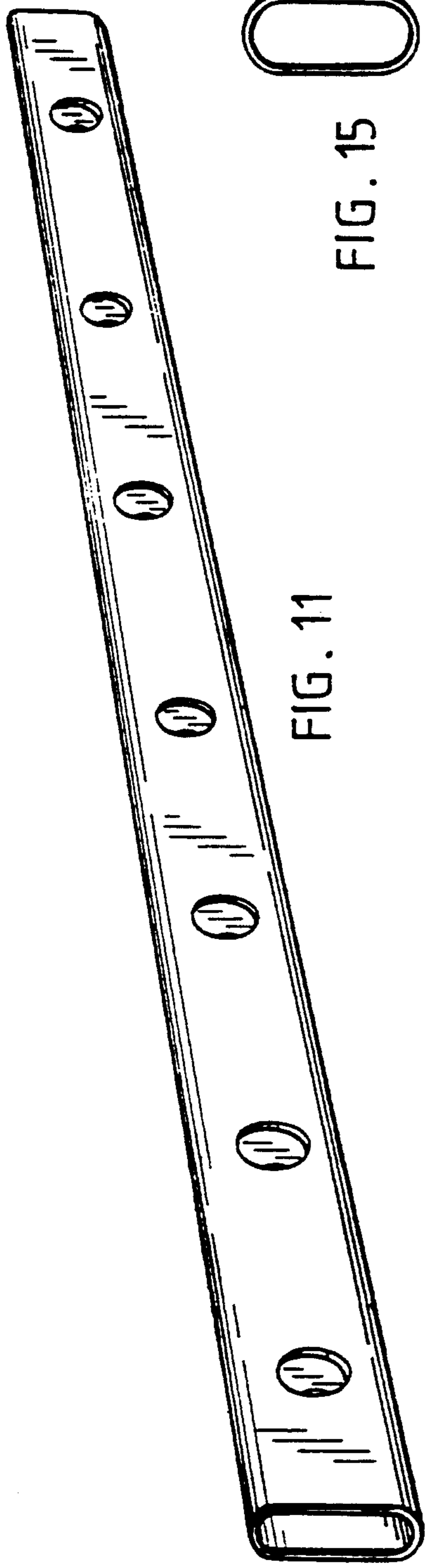


FIG. 11

FIG. 15

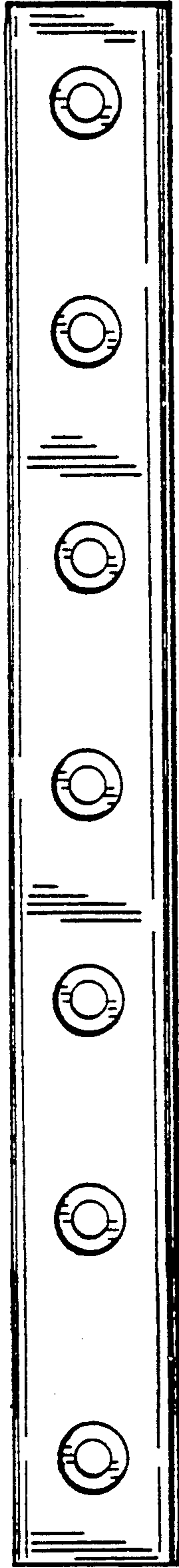


FIG. 12

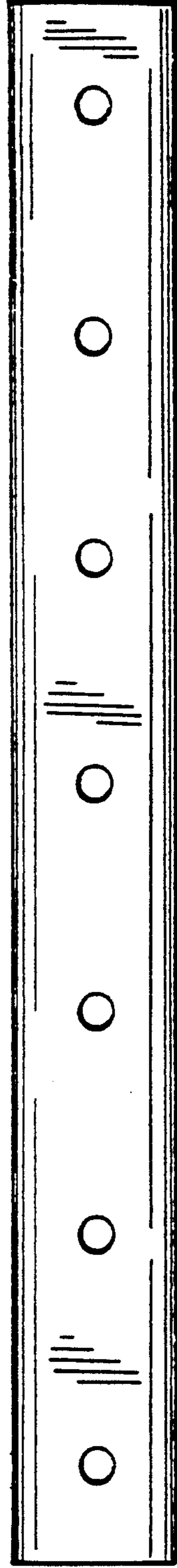


FIG. 13

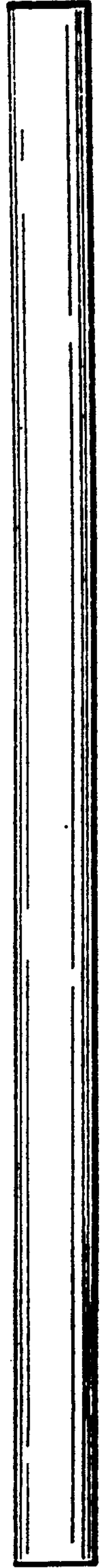


FIG. 14