



US00D342011S

United States Patent [19]

[11] Patent Number: **Des. 342,011**

Maguire

[45] Date of Patent: **** Dec. 7, 1993**

[54] **FOUNDATION BOLT MOUNTING BRACKET**

[76] Inventor: **James V. Maguire**, 7132 Marina Pacifica Dr. S., Long Beach, Calif. 90803

[**] Term: **14 Years**

[21] Appl. No.: **798,413**

[22] Filed: **Nov. 26, 1991**

[52] U.S. Cl. **D8/349**

[58] Field of Search **D8/349, 354, 363, 366, D8/373; 248/205.1, 230, 247**

[56] **References Cited**

U.S. PATENT DOCUMENTS

2,310,434 2/1943 Hyman **D25/68 X**
2,807,431 9/1957 McHale **248/300**

OTHER PUBLICATIONS

Grammes Catalog, 1941, p. 36, Handle loop, item number 33782 located at left side.

Primary Examiner—Wallace R. Burke

Assistant Examiner—H. Baynham

Attorney, Agent, or Firm—G. Donald Weber, Jr.

[57] **CLAIM**

The ornamental design for a foundation bolt mounting bracket, as shown and described.

DESCRIPTION

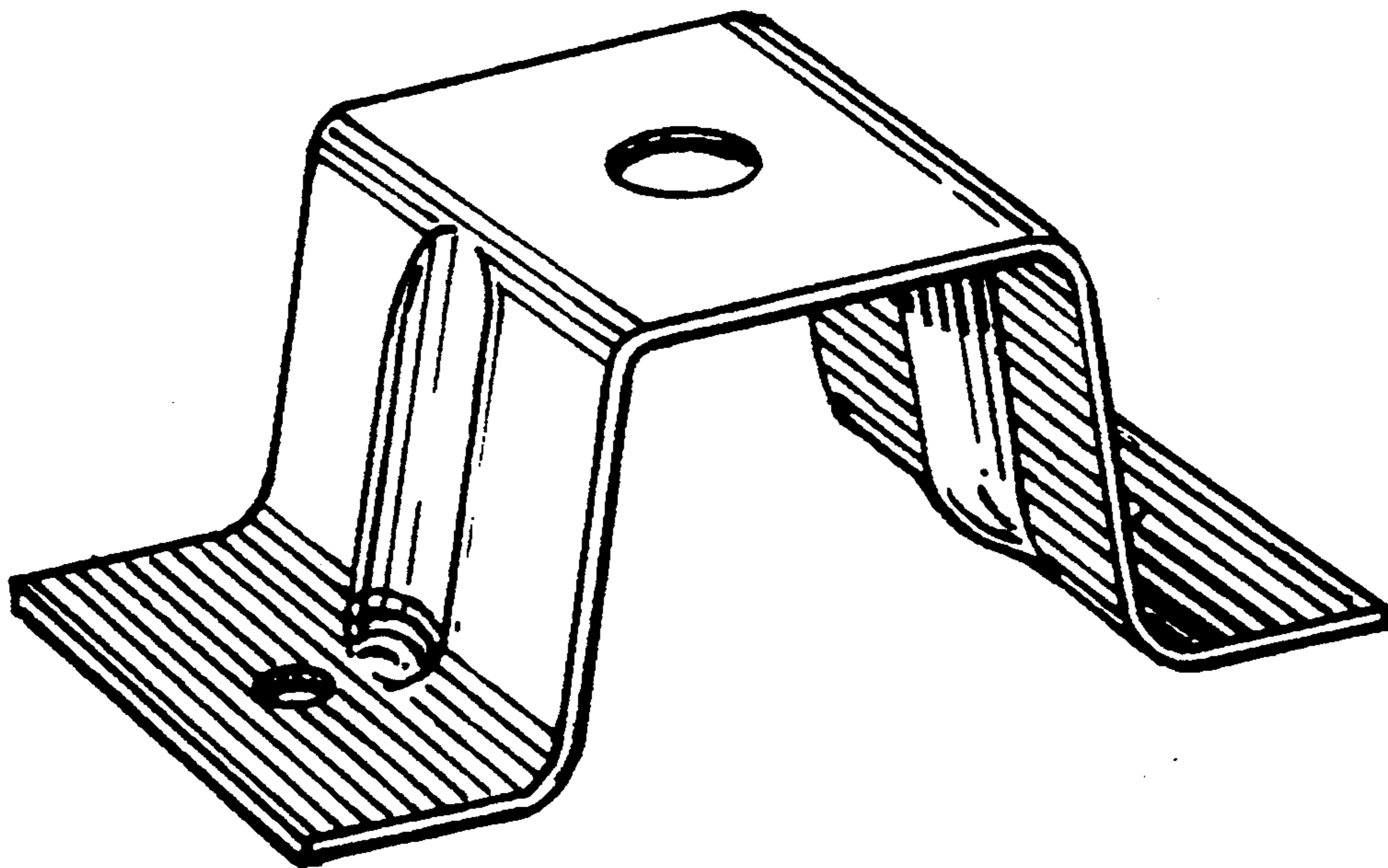
FIG. 1 is a perspective view of the foundation bolt mounting bracket of the instant invention;

FIG. 2 is a top plan view thereof;

FIG. 3 is a side view thereof with the opposite side being a mirror image;

FIG. 4 is an end view thereof with the opposite end being a mirror image thereof; and,

FIG. 5 is a bottom plan view thereof.



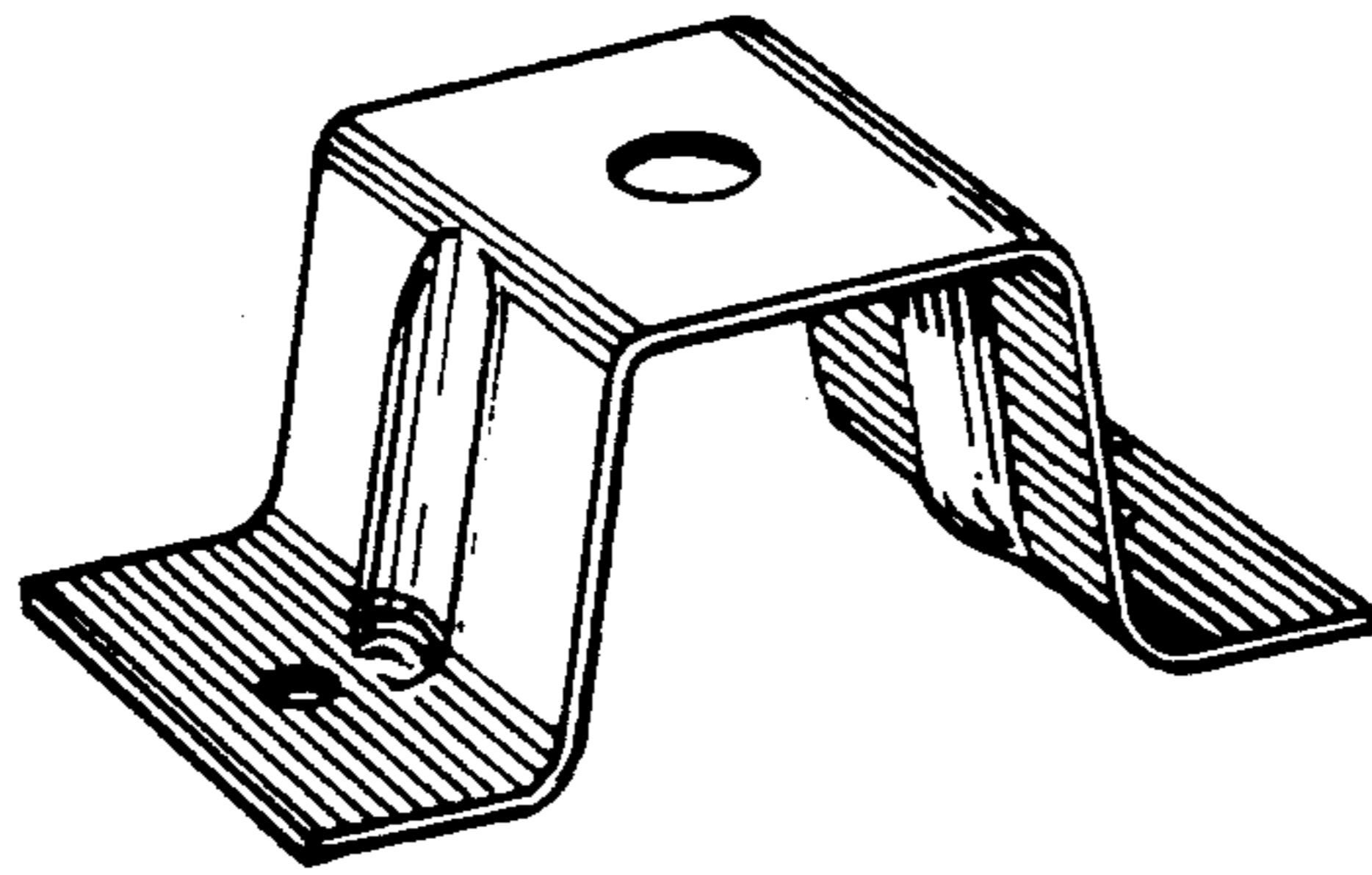


FIG. 1

FIG. 2

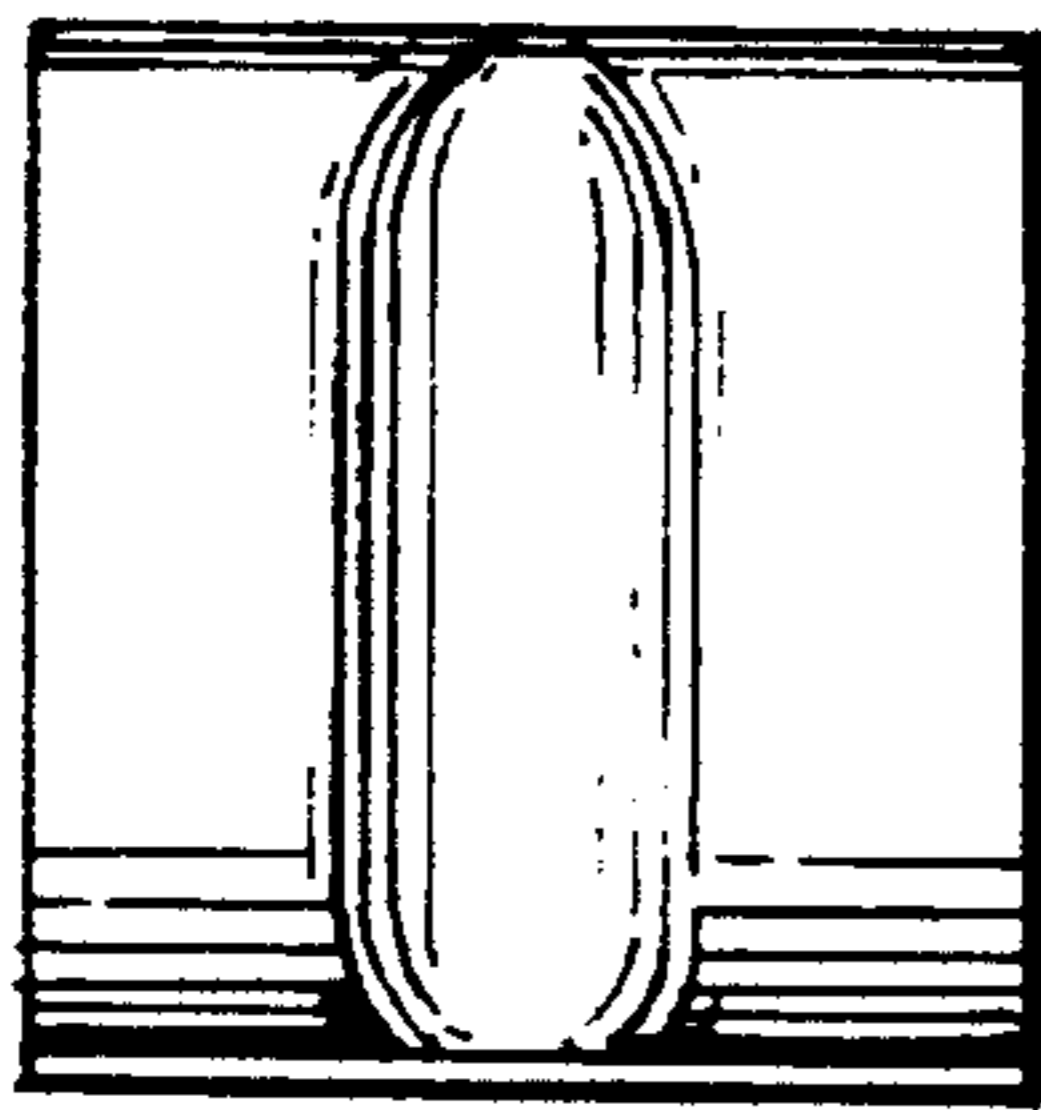
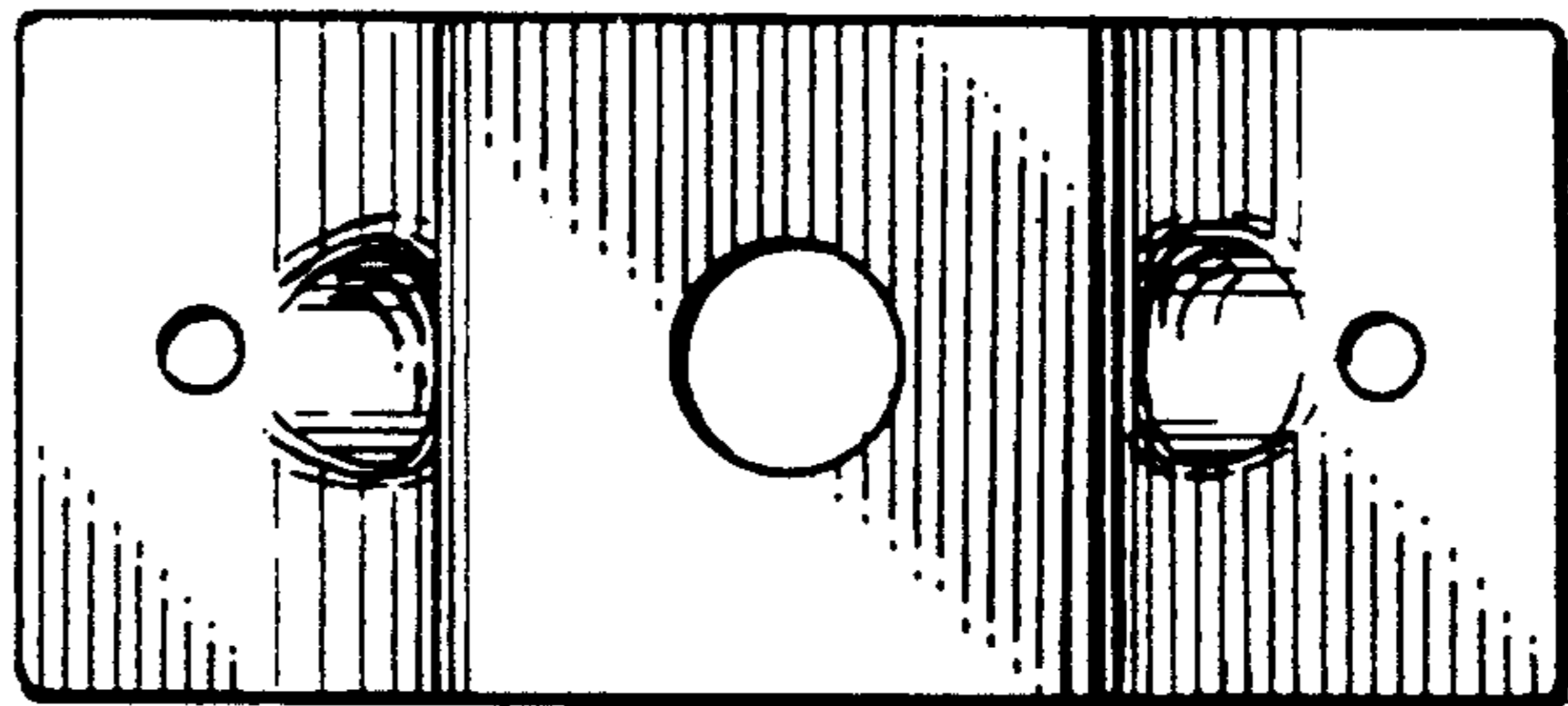


FIG. 3

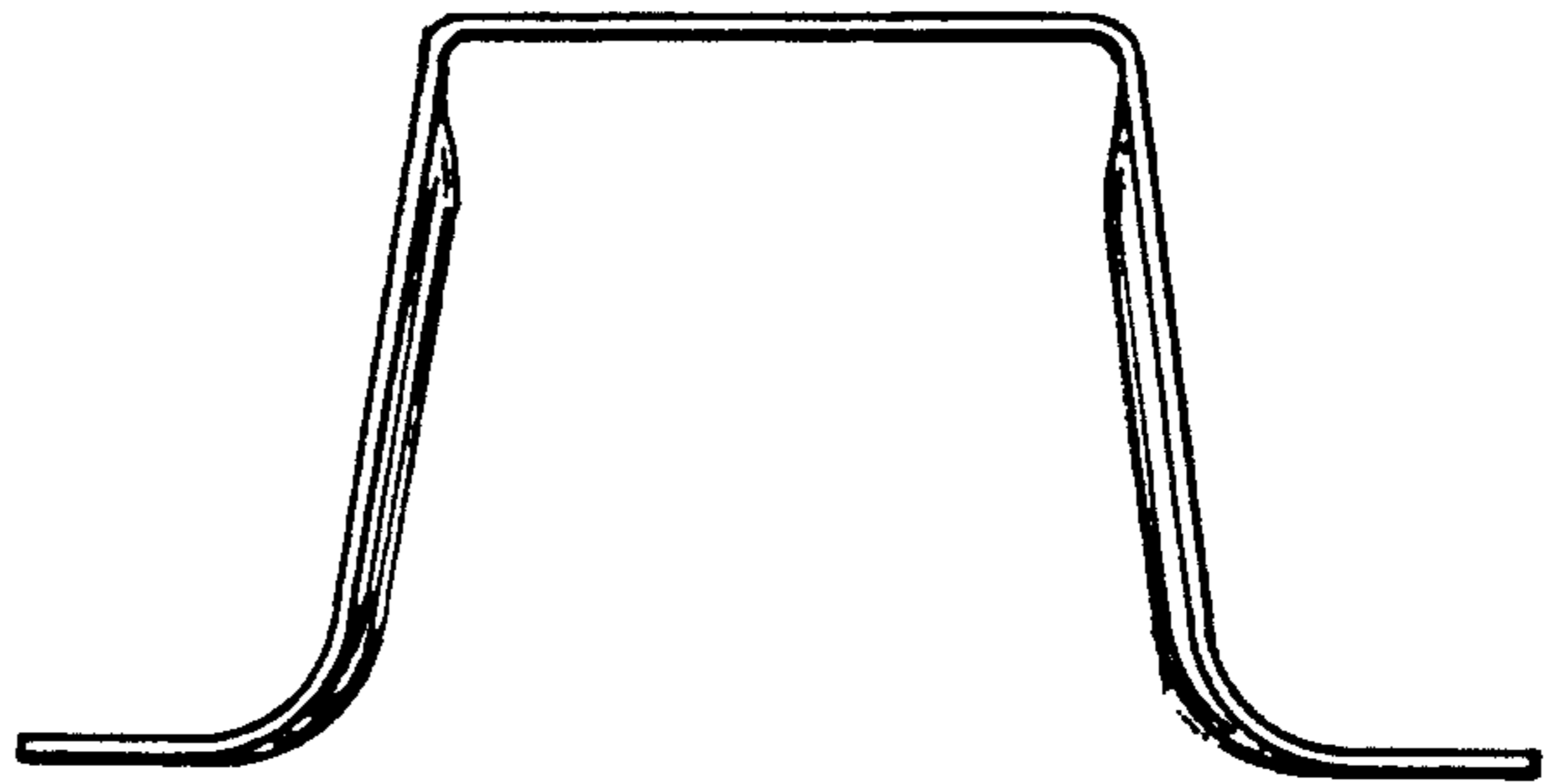


FIG. 4

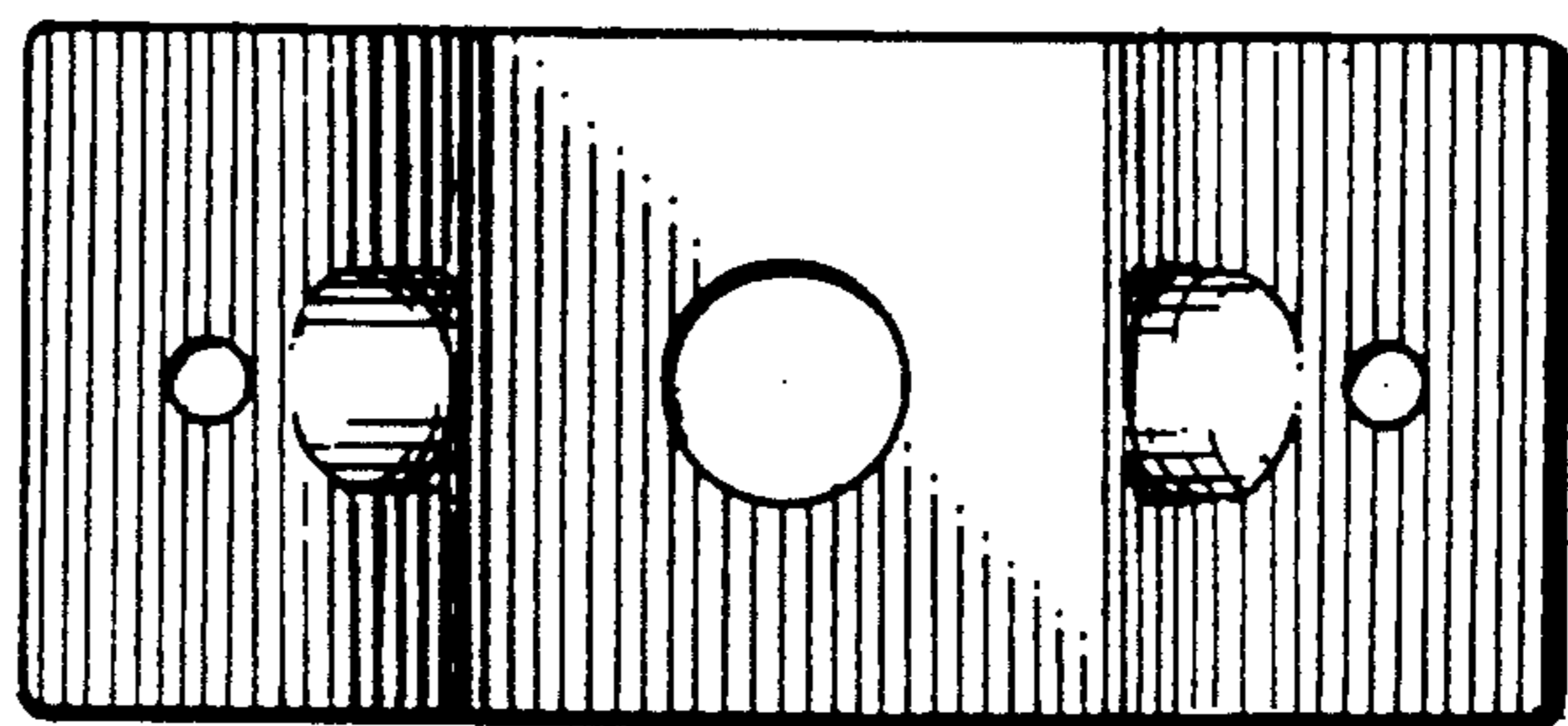


FIG. 5