



US00D342009S

# United States Patent [19]

[11] Patent Number: **Des. 342,009**

Lebrecht et al.

[45] Date of Patent: **\*\* Dec. 7, 1993**

- [54] **SHROUDED PADLOCK**
- [75] Inventors: **Horst Lebrecht, Waukesha; Charles C. Russell, Brookfield, both of Wis.**
- [73] Assignee: **Master Lock Company, Milwaukee, Wis.**
- [\*\*] Term: **14 Years**
- [21] Appl. No.: **935,620**
- [22] Filed: **Aug. 26, 1992**
- [52] U.S. Cl. .... **D8/337**
- [58] Field of Search ..... **D8/333-334; 70/20-22, 24, 27-29, 35, 41-44, 51, 54-55**

2,904,985	9/1959	Murphy	70/51
4,226,100	10/1980	Hampton et al.	70/51
5,033,279	7/1991	Lebrecht	70/55
5,156,029	10/1992	Heald	70/55
5,193,367	3/1993	Ling	70/28

*Primary Examiner*—Brian N. Vinson  
*Attorney, Agent, or Firm*—Pennie & Edmonds

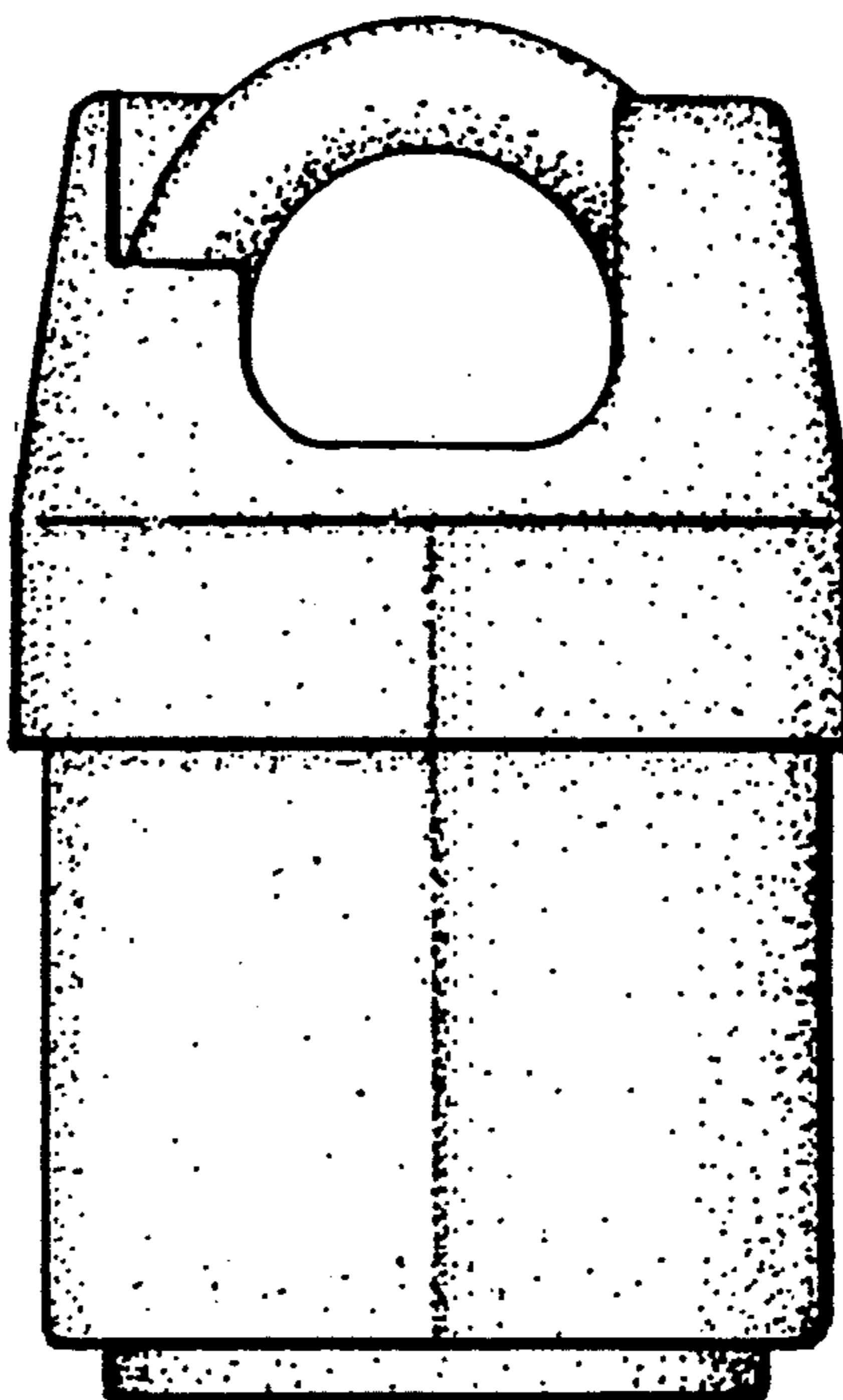
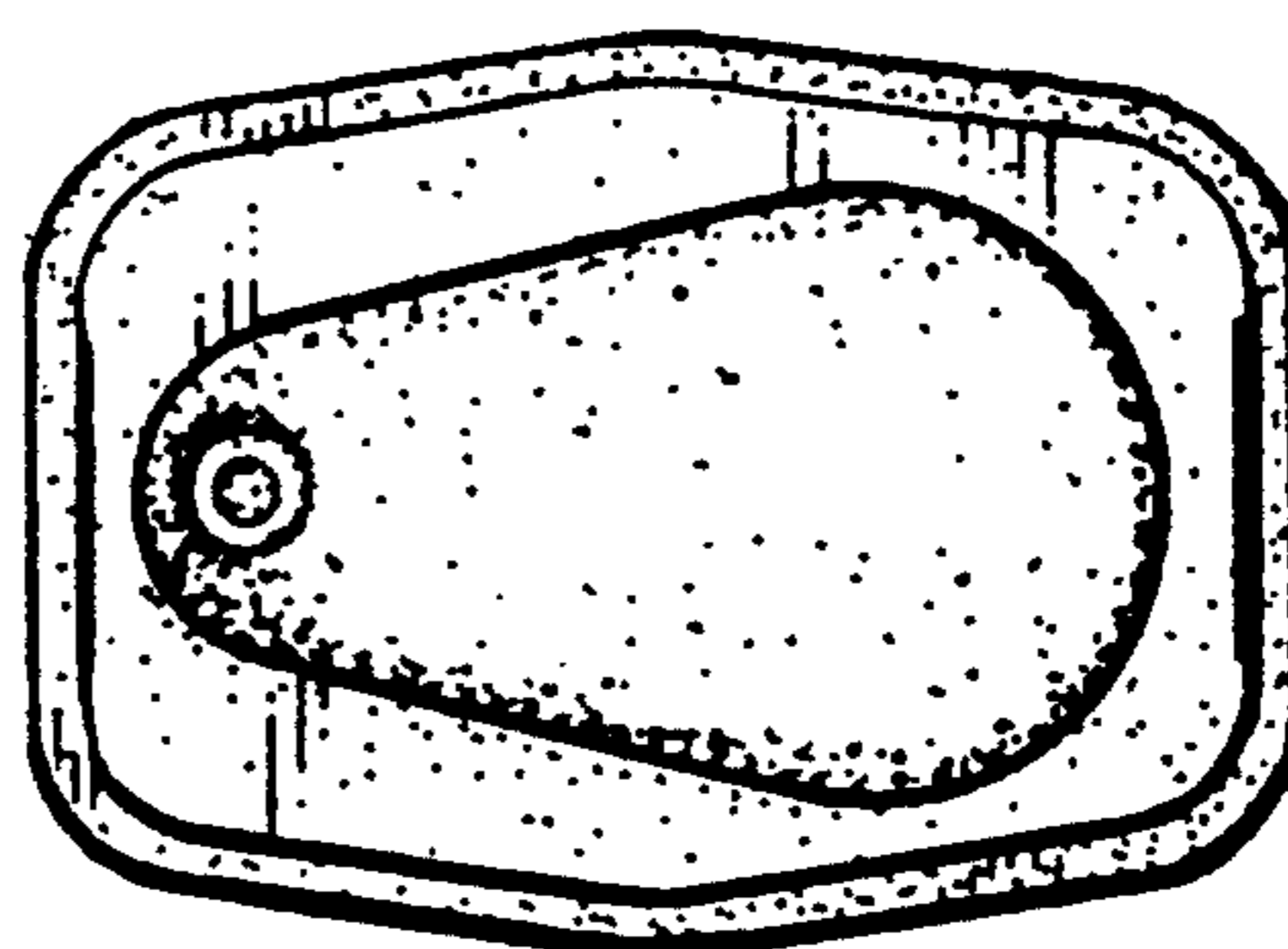
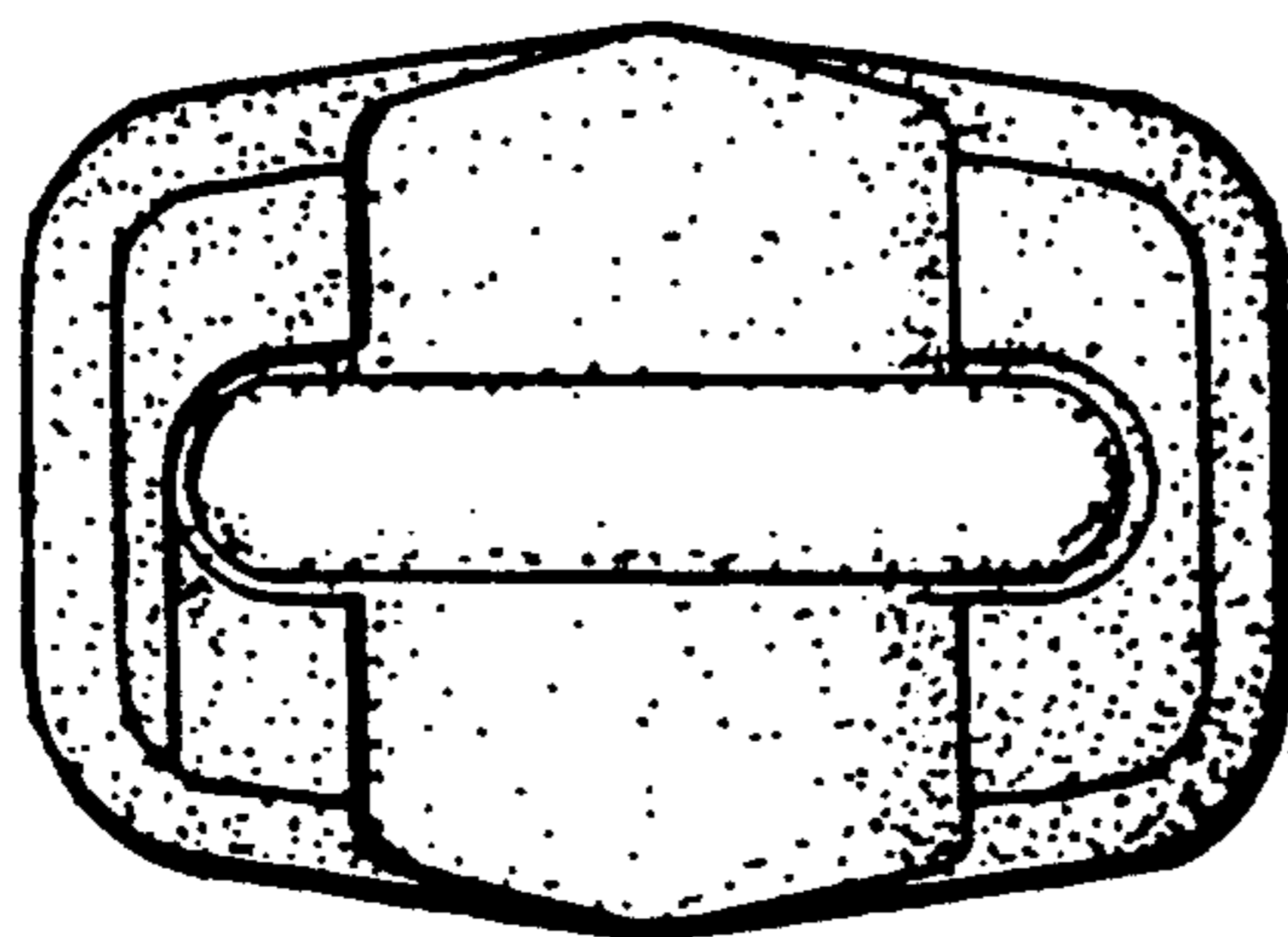
### [57] CLAIM

The ornamental design for a shrouded padlock, as shown and described.

### DESCRIPTION

FIG. 1 is a right side elevational view of a lock showing my new design;  
 FIG. 2 is a top view thereof;  
 FIG. 3 is a bottom view thereof;  
 FIG. 4 is a left side elevational view thereof;  
 FIG. 5 is a front elevational view thereof; and,  
 FIG. 6 is a rear elevational view thereof.

- [56] **References Cited**
- U.S. PATENT DOCUMENTS**
- D. 80,385 1/1930 Maxwell ..... D8/334
- D. 315,090 3/1991 Pederson ..... D8/334



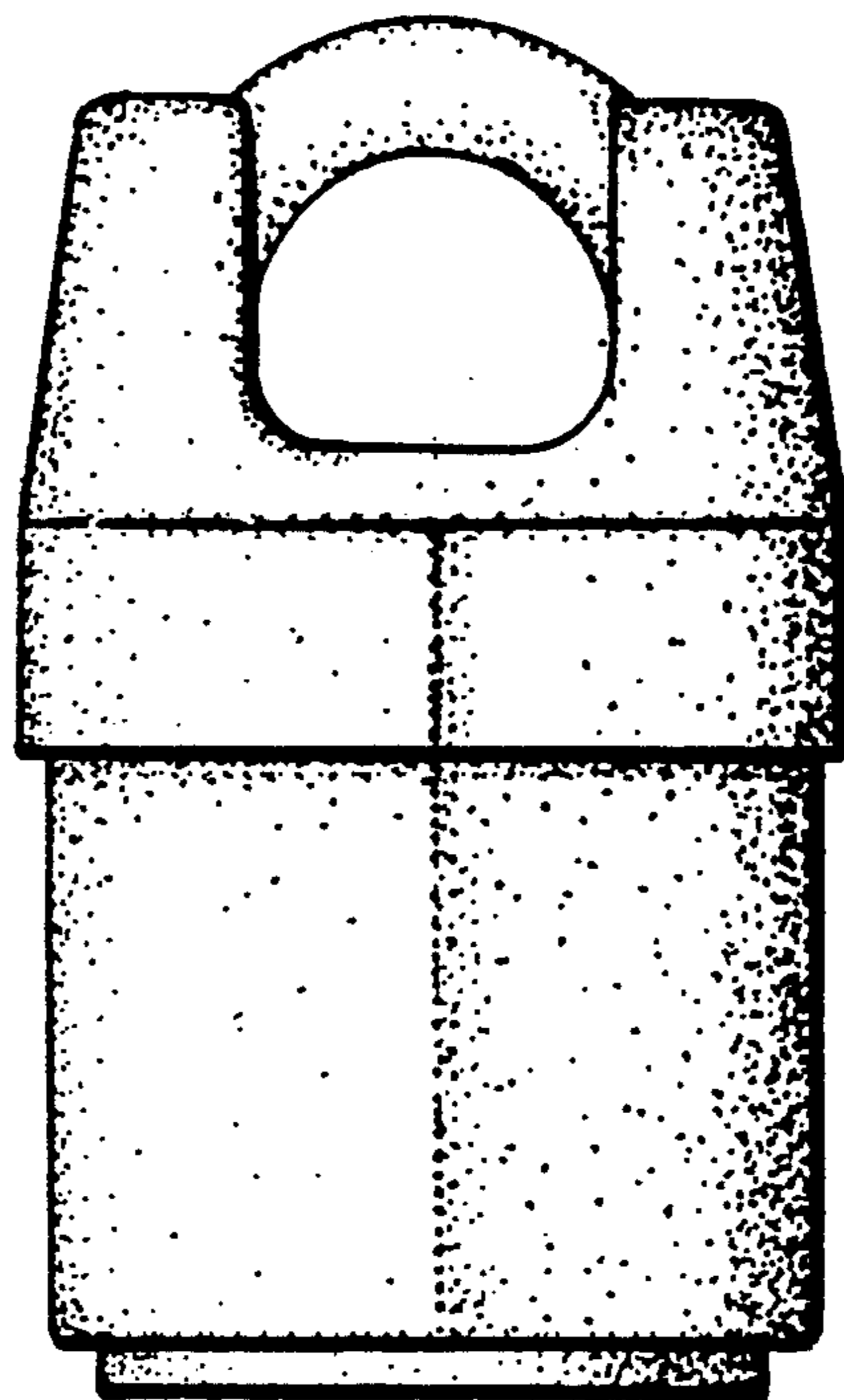


FIG. 1

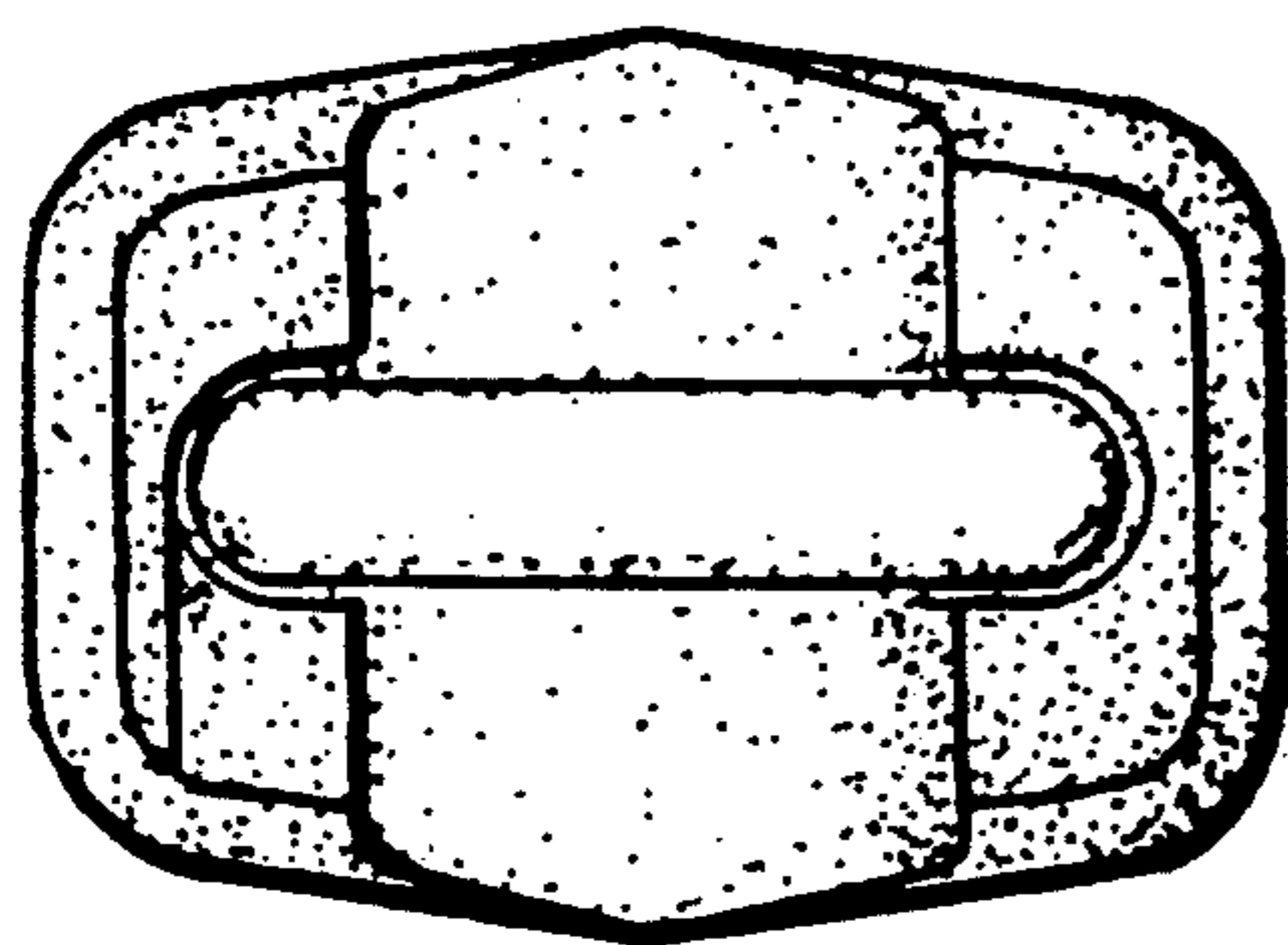


FIG. 2

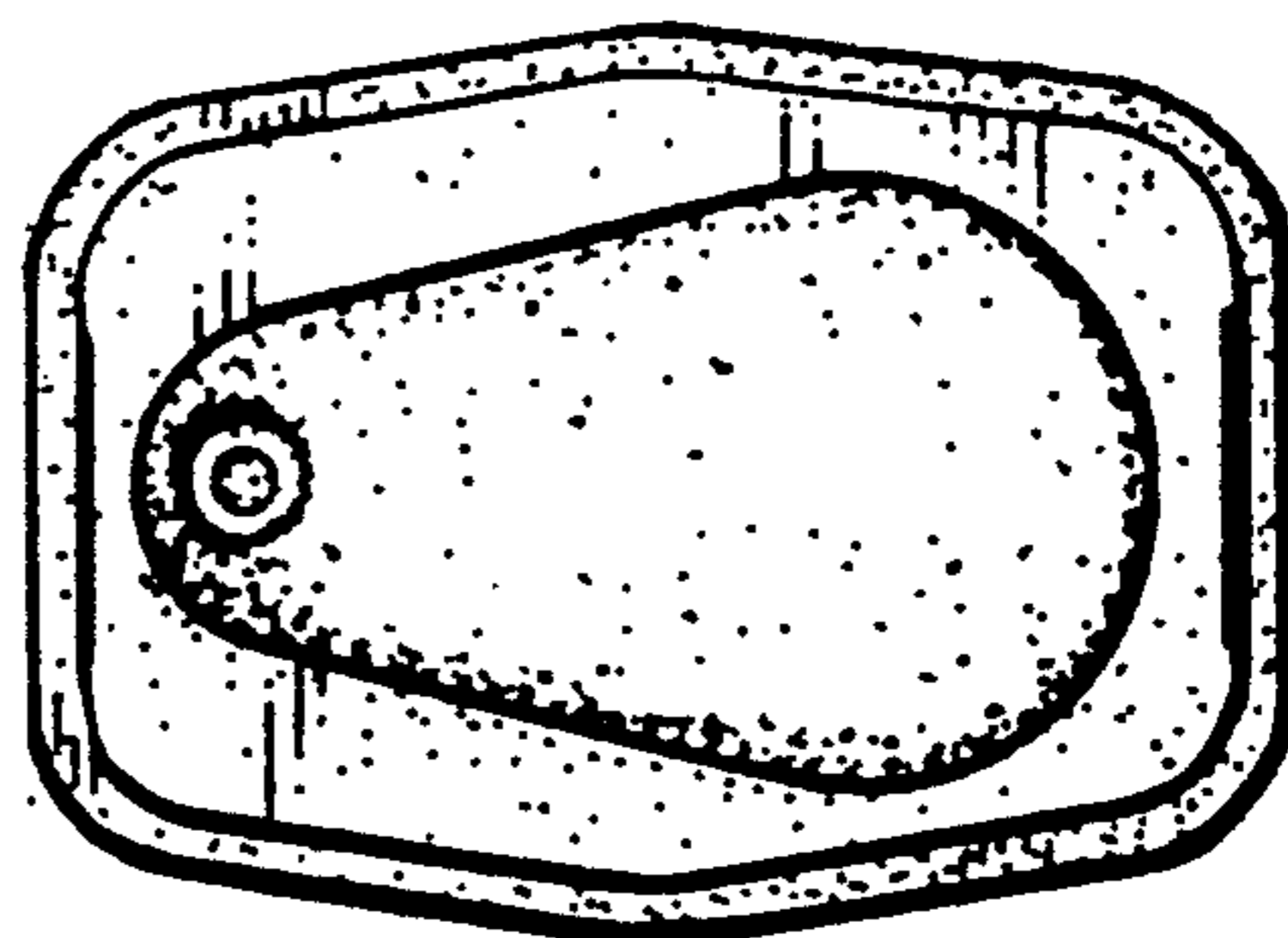


FIG. 3

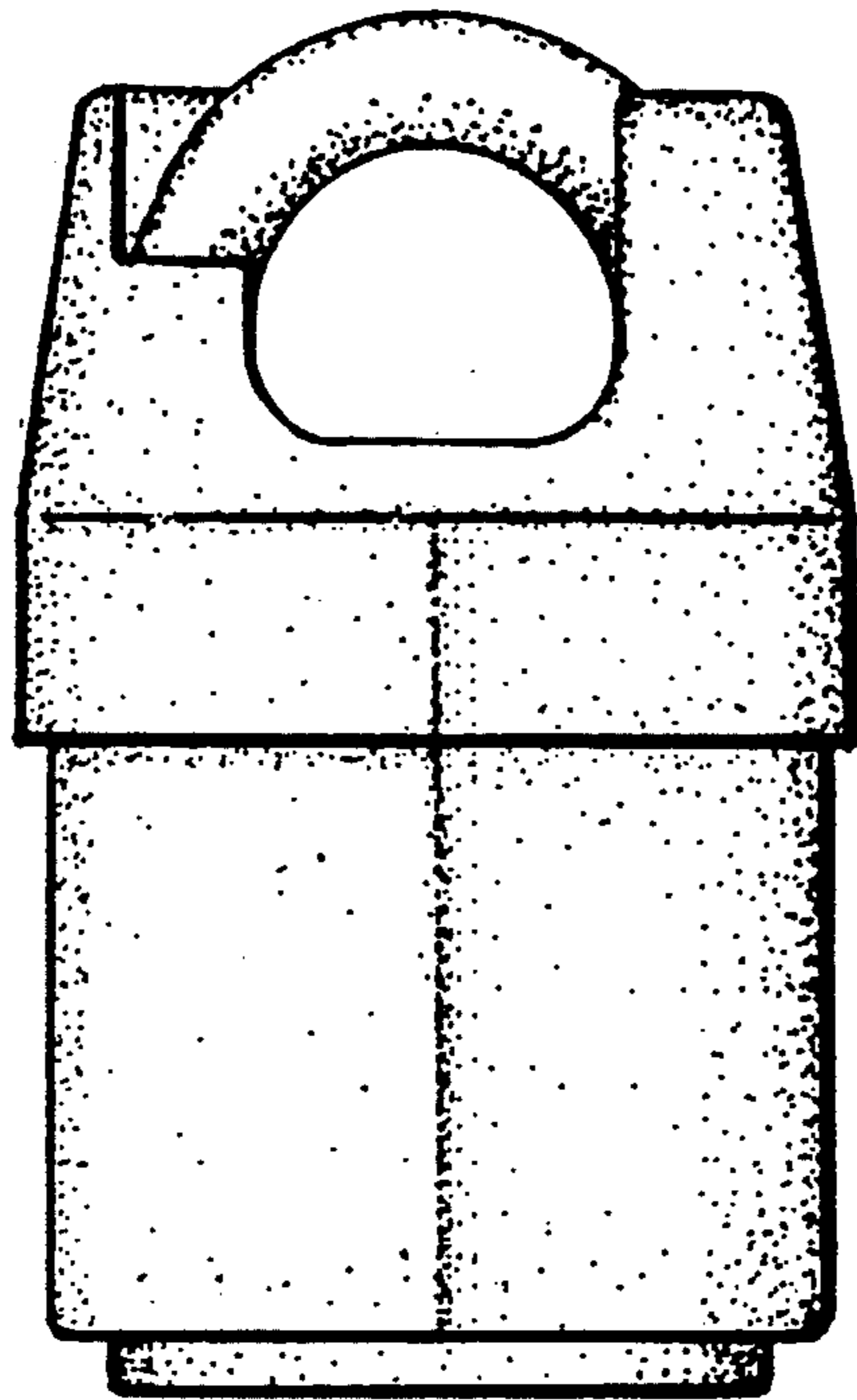


FIG. 4

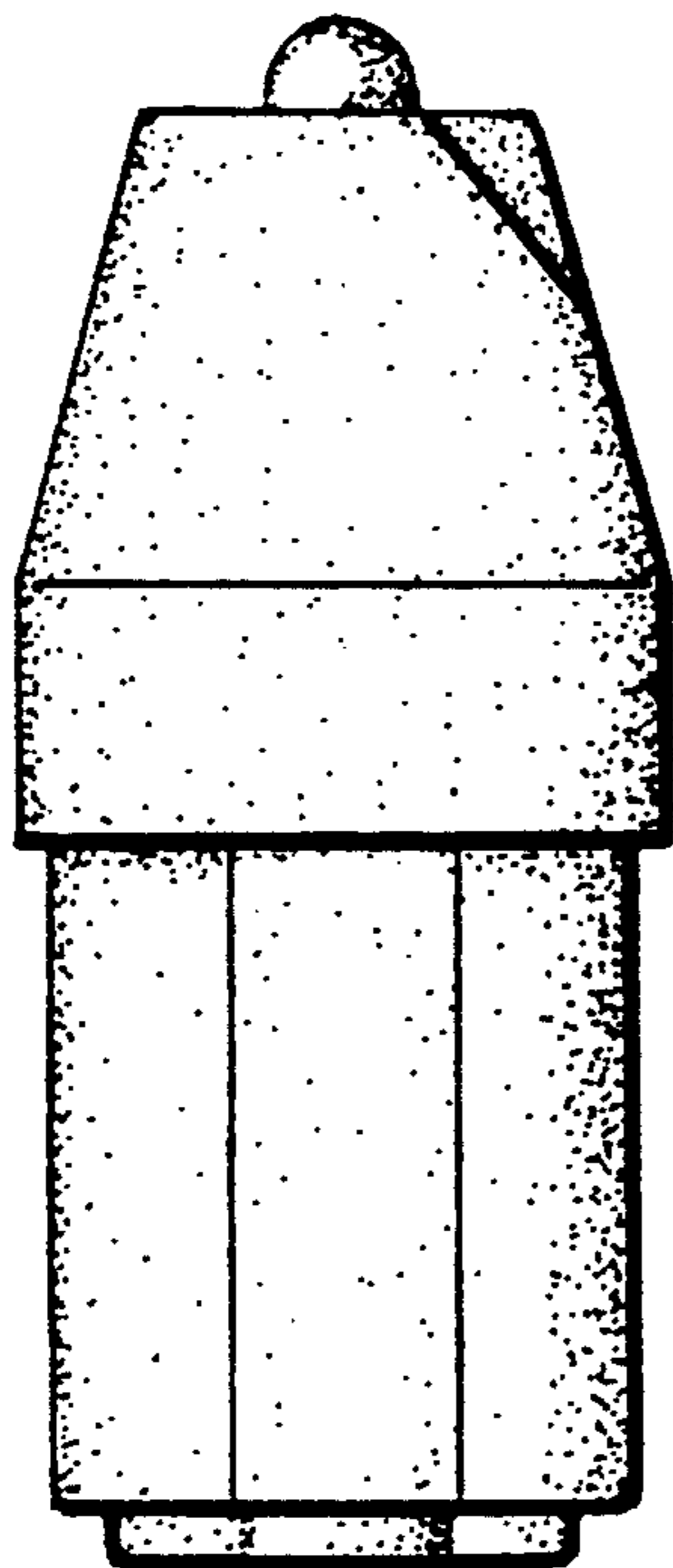


FIG. 5

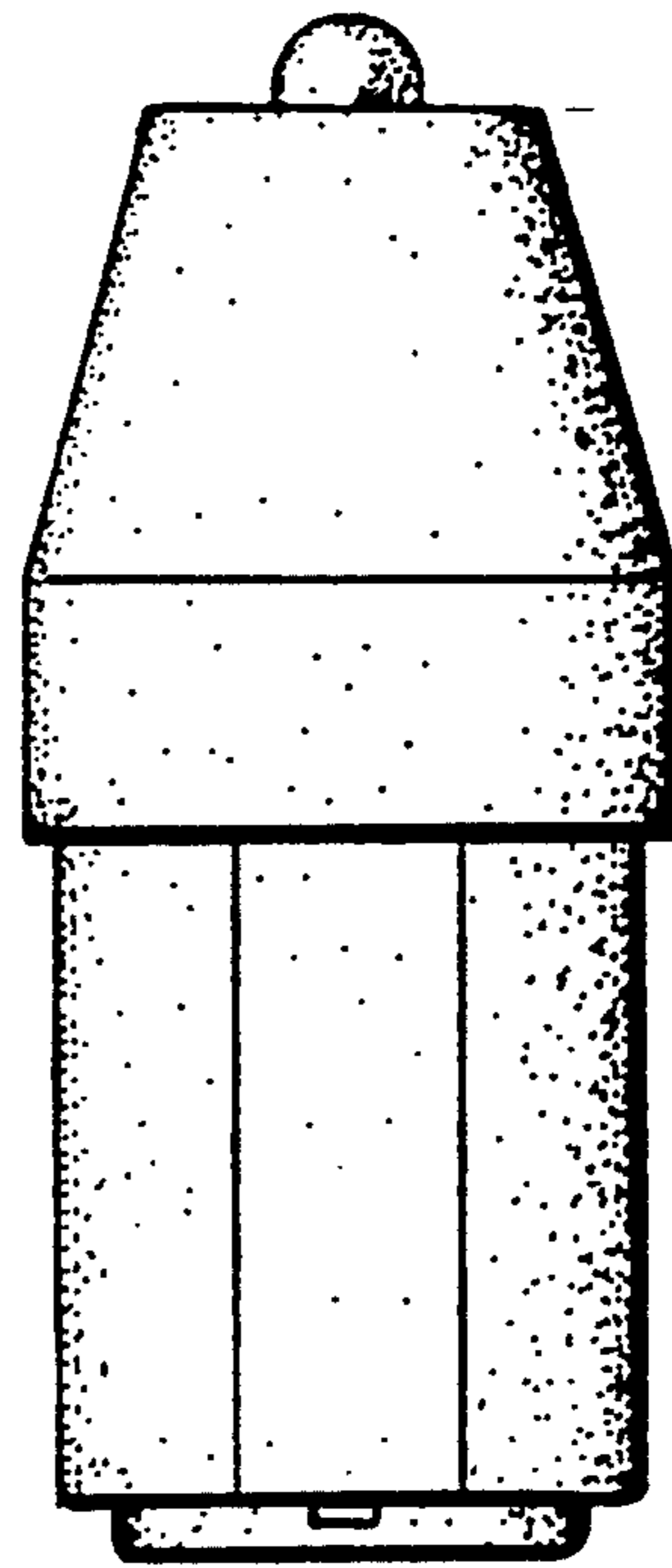


FIG. 6