



US00D342008S

United States Patent [19]

[11] Patent Number: **Des. 342,008**

Lage et al.

[45] Date of Patent: **** Dec. 7, 1993**

[54] ENVELOPE OPENER

D. 329,584 9/1992 Shevin D8/102
3,028,670 4/1962 Tilly 30/DIG. 3

[75] Inventors: **David P. Lage, Manchester; Albert P. Carney, Ellisville, both of Mo.**

Primary Examiner—Bernard Ansher

Assistant Examiner—R. Barkai

[73] Assignee: **Quick Point, Inc., Fenton, Mo.**

Attorney, Agent, or Firm—Polster, Leider, Woodruff & Lucchesi

[**] Term: **14 Years**

[57] CLAIM

[21] Appl. No.: **745,618**

The ornamental design for an envelope opener, as shown.

[22] Filed: **Aug. 15, 1991**

[52] U.S. Cl. **D8/103**

DESCRIPTION

[58] Field of Search **D8/102, 103, 104; D20/10, 39, 40, 41; 30/278, 294, DIG. 3**

FIG. 1 is a front elevational view of an envelope opener showing our new design;

FIG. 2 is a rear elevational view thereof;

FIG. 3 is a left side elevational view thereof;

FIG. 4 is a right side elevational view thereof;

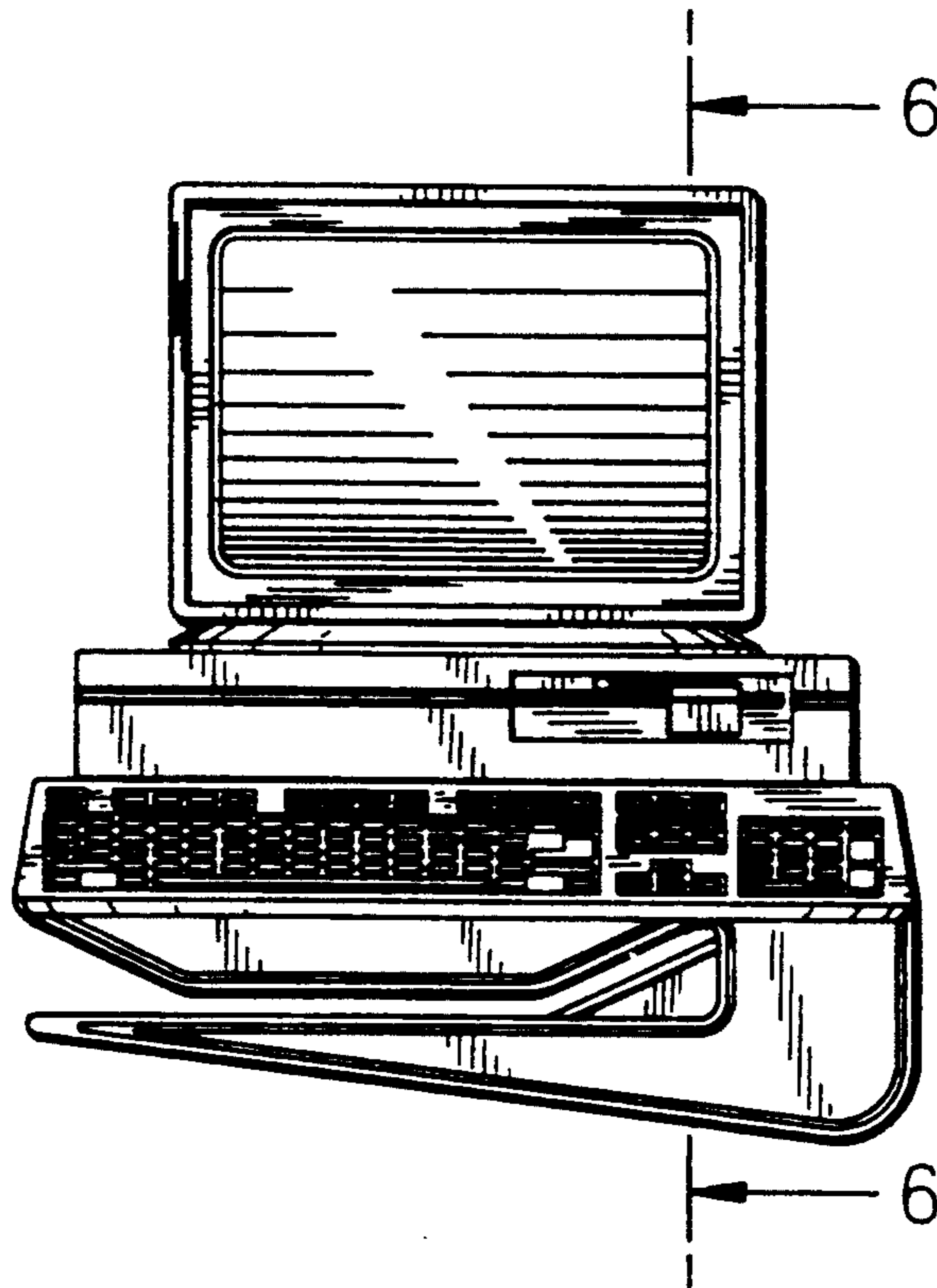
FIG. 5 is a sectional view taken along line 5—5 of FIG. 2; and,

FIG. 6 is a sectional view taken along line 6—6 of FIG. 2.

[56] References Cited

U.S. PATENT DOCUMENTS

D. 161,797	1/1951	Smith	D20/10
D. 306,394	3/1990	Koenig	D8/102
D. 329,183	9/1992	Lage	D8/102
D. 329,184	9/1992	Lage	D8/103



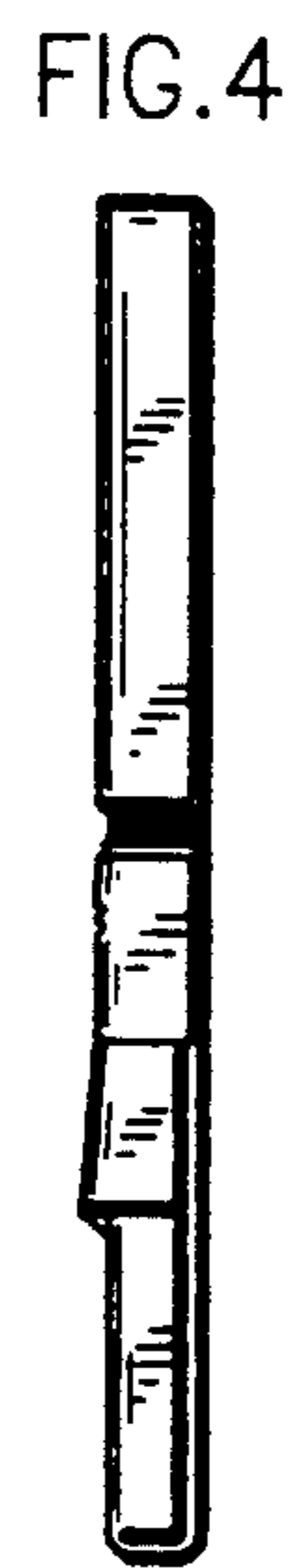
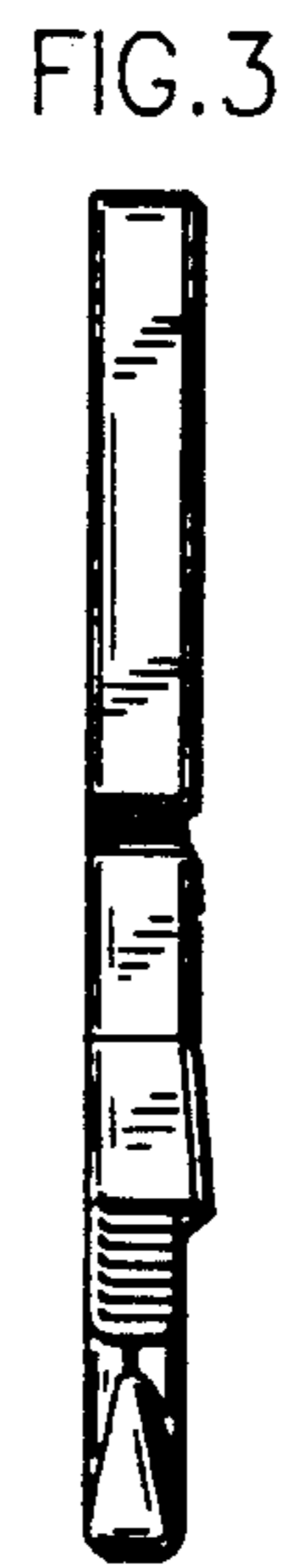
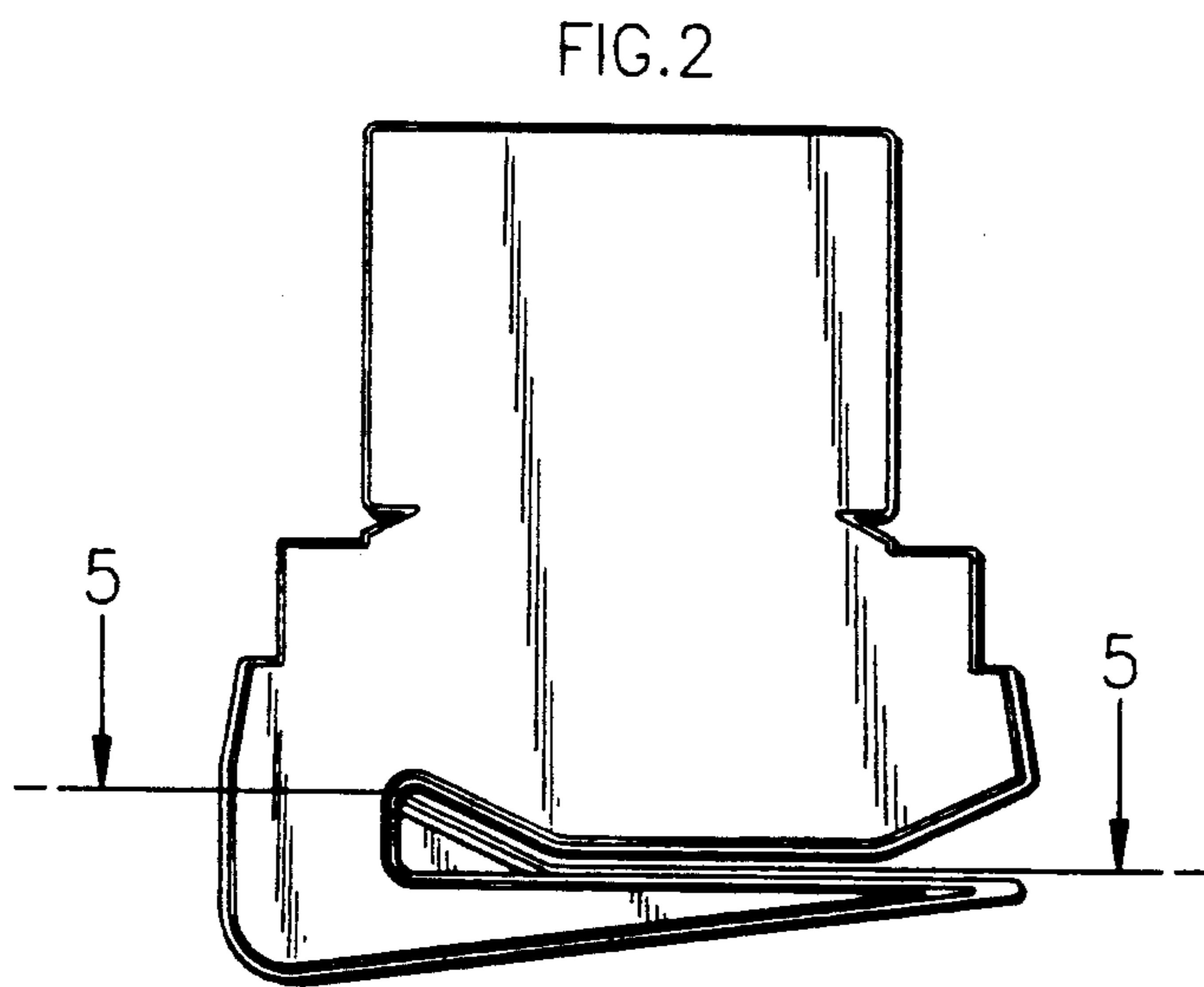
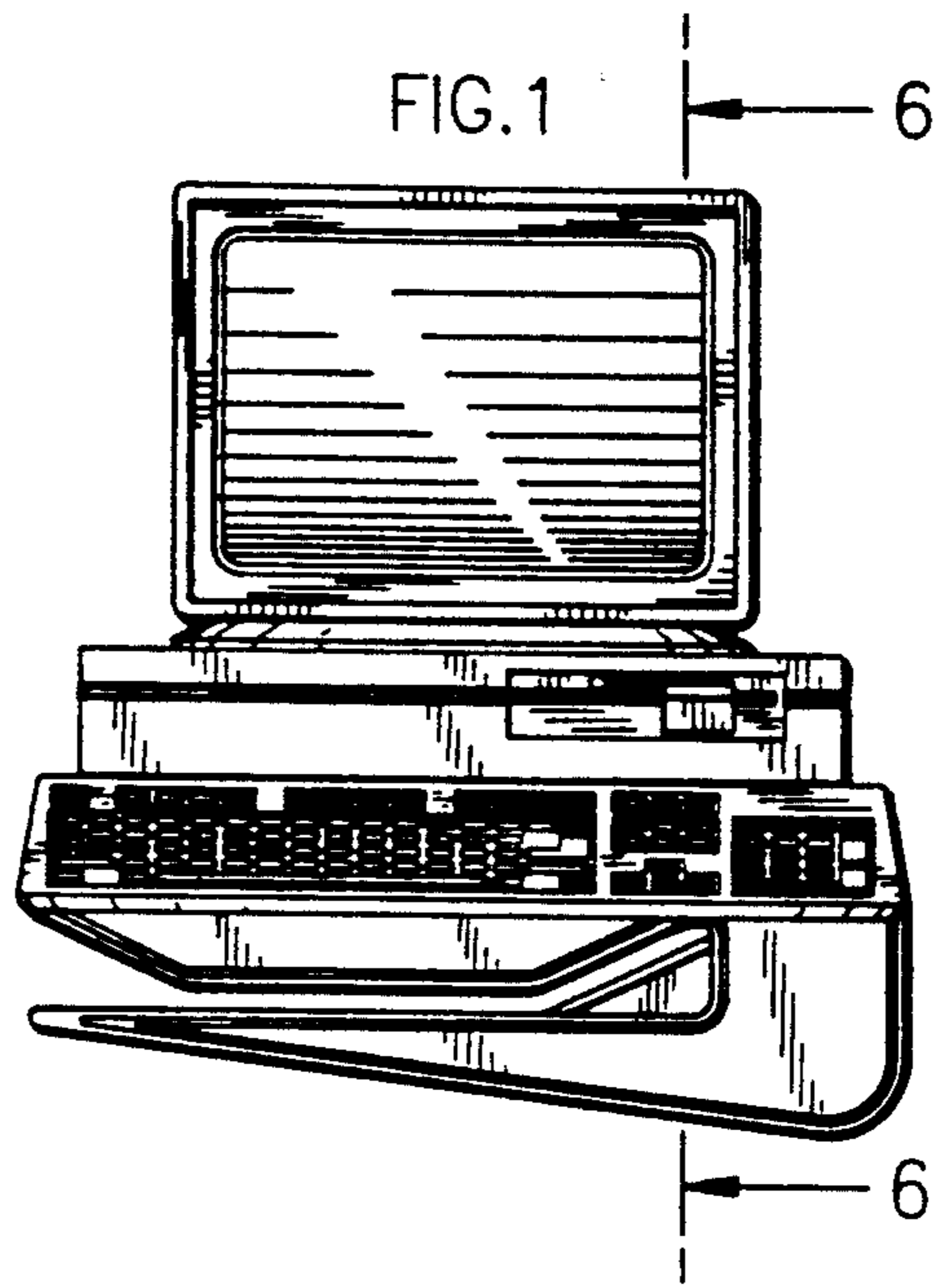


FIG. 5

