



US00D342006S

United States Patent [19]

[11] Patent Number: **Des. 342,006**

Schrock et al.

[45] Date of Patent: **** Dec. 7, 1993**

[54] **DUCTWORK CLAMP**

4,600,174	7/1986	Gosse	248/72
4,838,584	6/1989	Dierksmeier	285/419
4,889,299	12/1989	Sarton	248/72

[76] Inventors: **Steve Schrock**, 216 Nichols Dr.;
Terry W. Fleetwood, 423 S.
California, both of Sycamore, Ill.
60178

Primary Examiner—Alan P. Douglas
Assistant Examiner—J. H. Musgrove
Attorney, Agent, or Firm—Terry M. Gernstein

[**] Term: **14 Years**

[57] **CLAIM**

[21] Appl. No.: **873,059**

The ornamental design for a ductwork clamp, as shown and described.

[22] Filed: **Apr. 24, 1992**

[52] U.S. Cl. **D8/72**

[58] Field of Search **D8/72, 71; 269/91, 26, 269/303, 228, 92, 93, 94; 248/287**

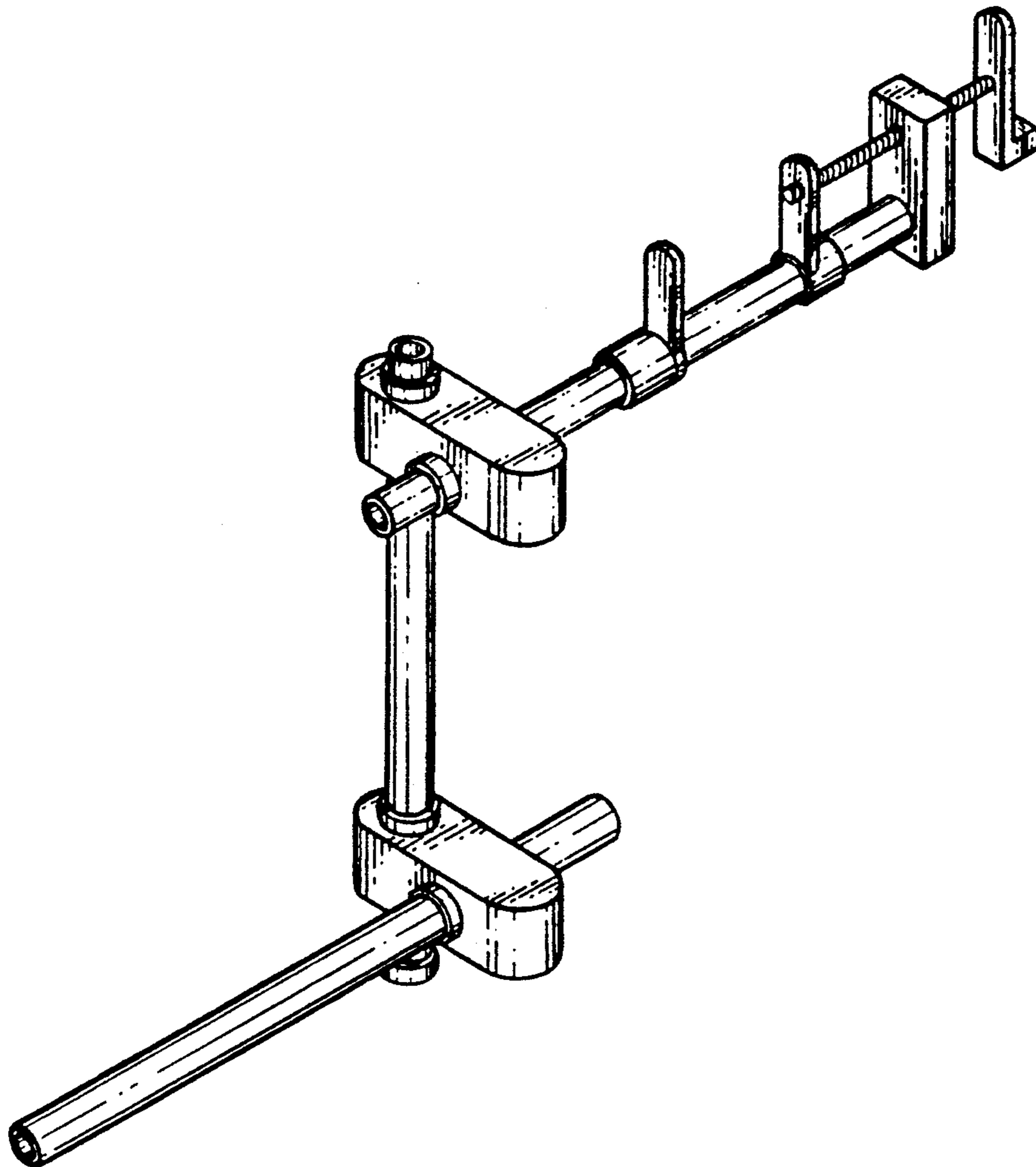
DESCRIPTION

[56] **References Cited**

U.S. PATENT DOCUMENTS

D. 286,369	10/1986	Hahn	D8/72
D. 321,633	11/1991	Rigney	D8/70
2,970,798	2/1961	Fritchle et al.	D8/72 X
3,861,663	1/1975	Strickland	269/91

FIG. 1 is a perspective view of the ductwork clamp embodying the design of the present invention; FIG. 2 is a front end elevational view thereof; FIG. 3 is a rear end elevational view thereof; FIG. 4 is a side elevational view thereof, the side opposite being a mirror image of the side shown in FIG. 4; FIG. 5 is a top plan view thereof; and, FIG. 6 is a bottom plan view thereof.



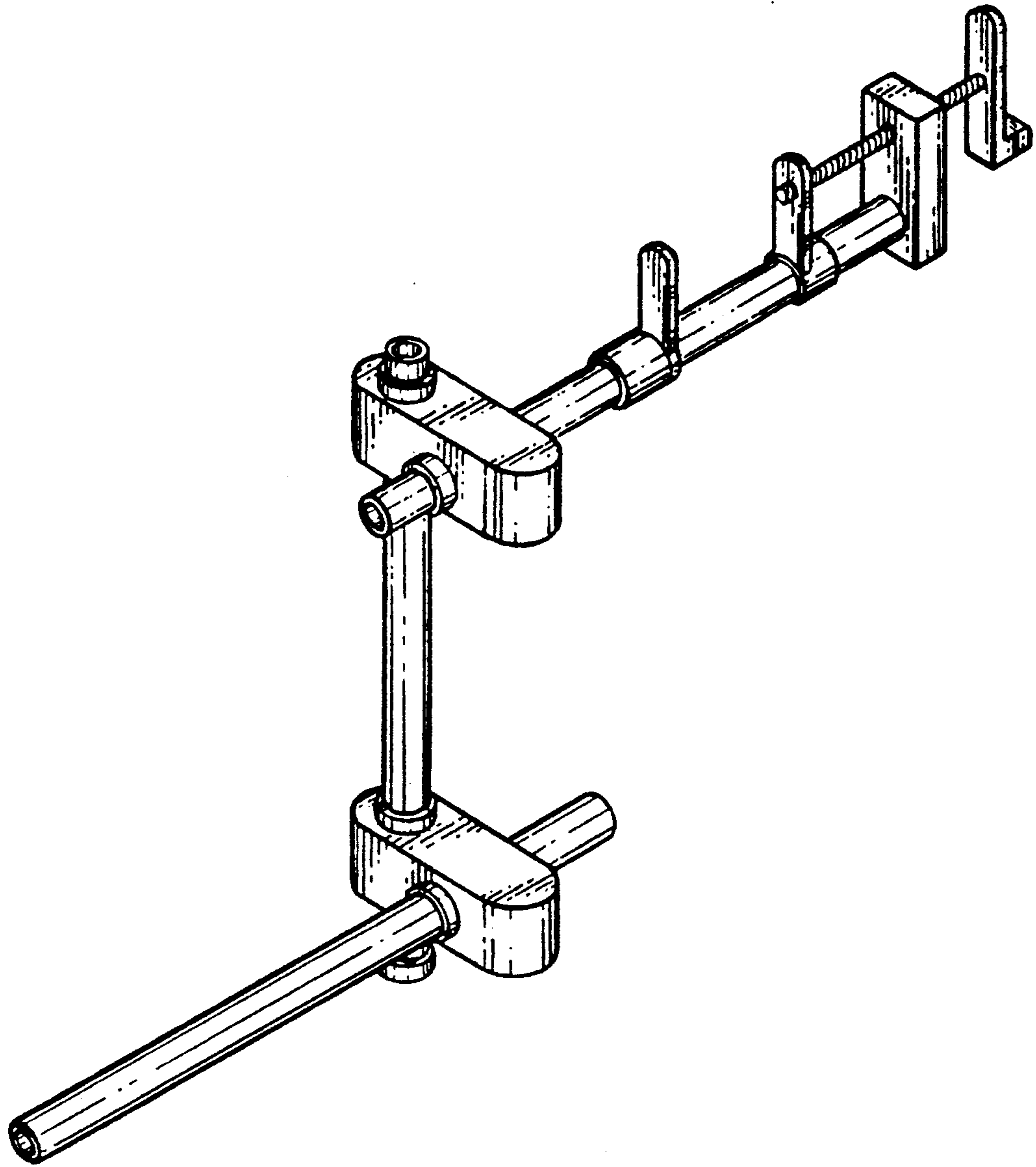


FIG. 1

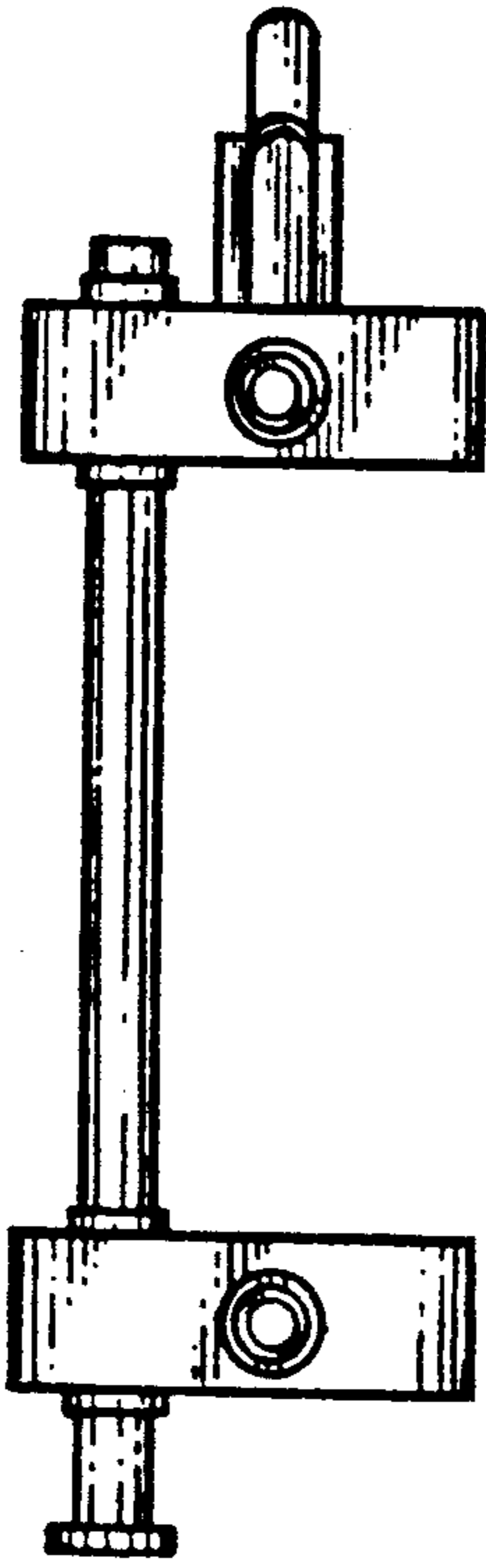


FIG. 2

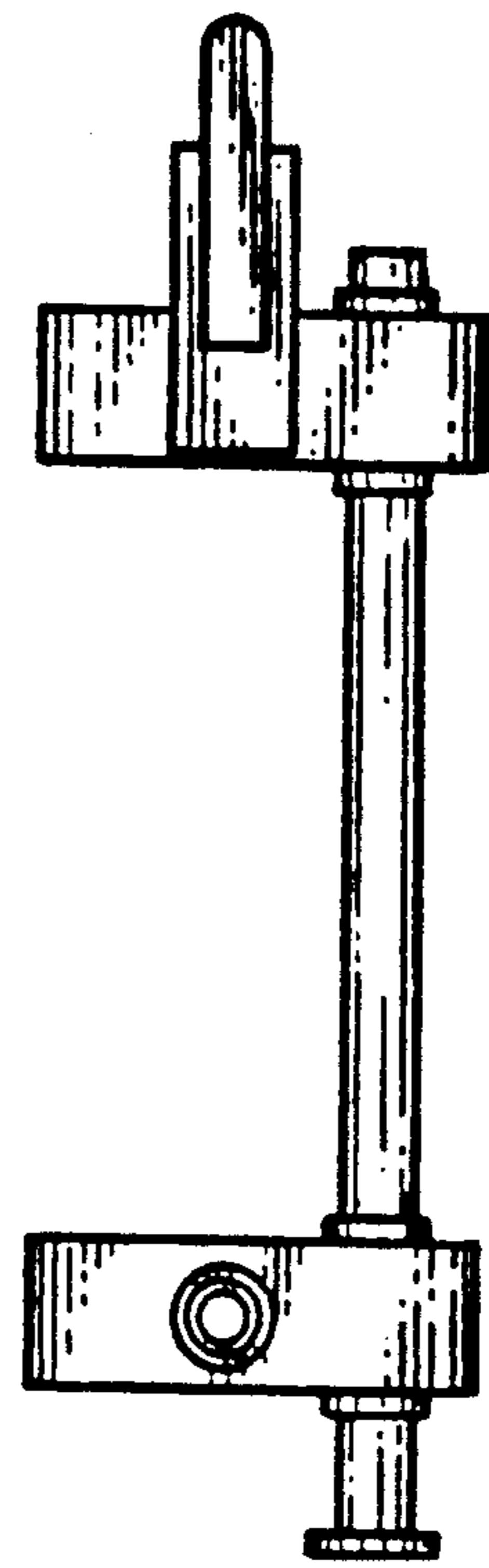


FIG. 3

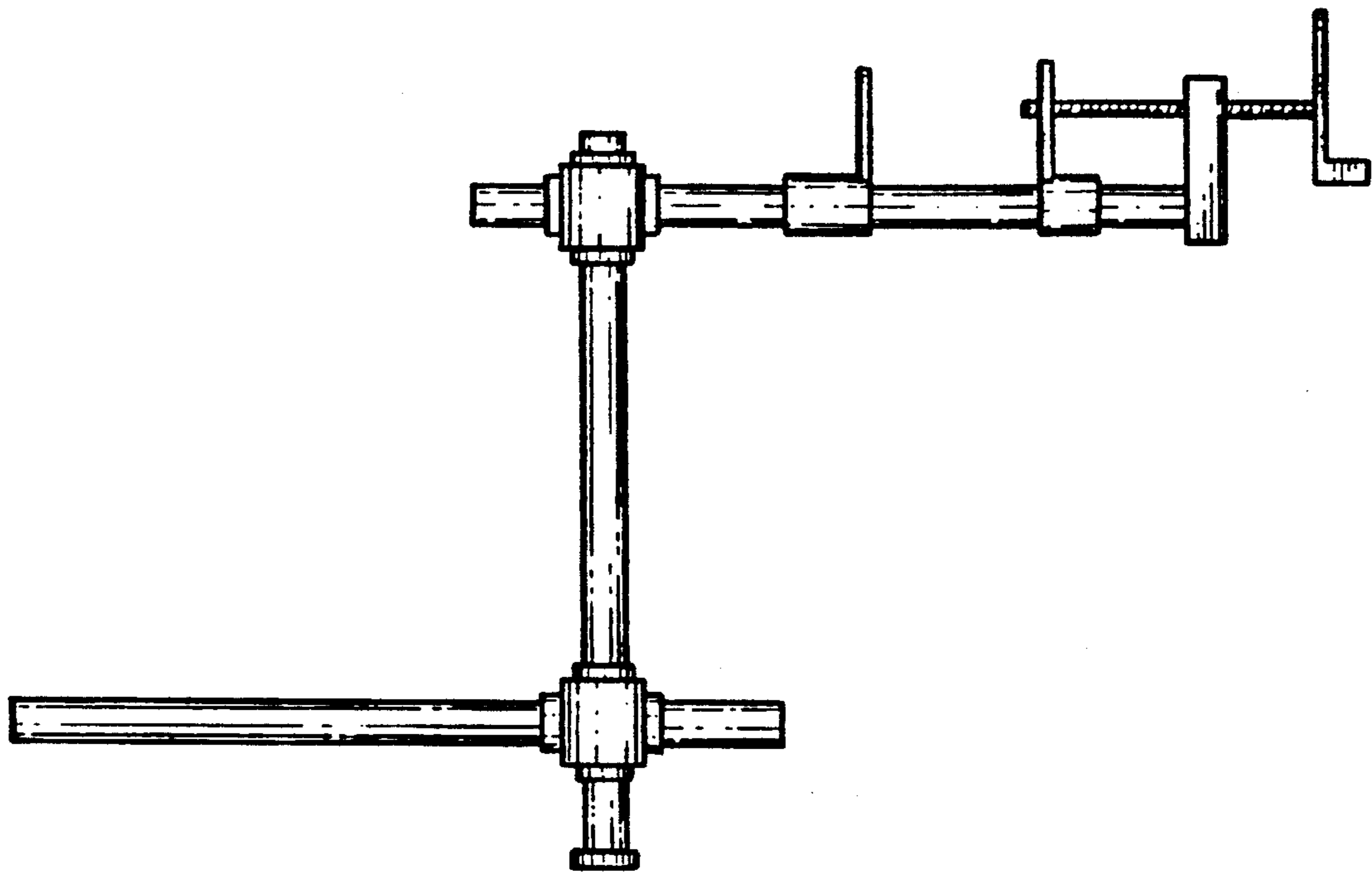


FIG. 4

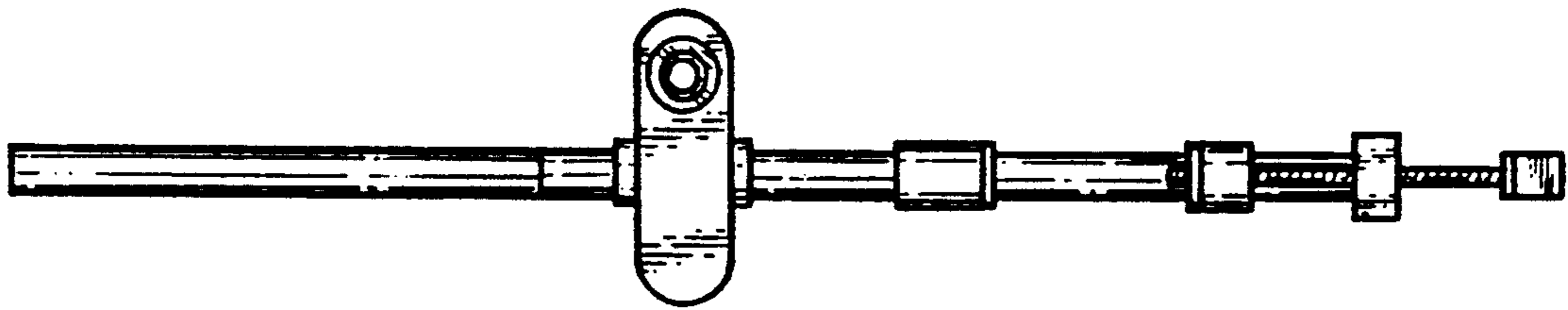


FIG. 5

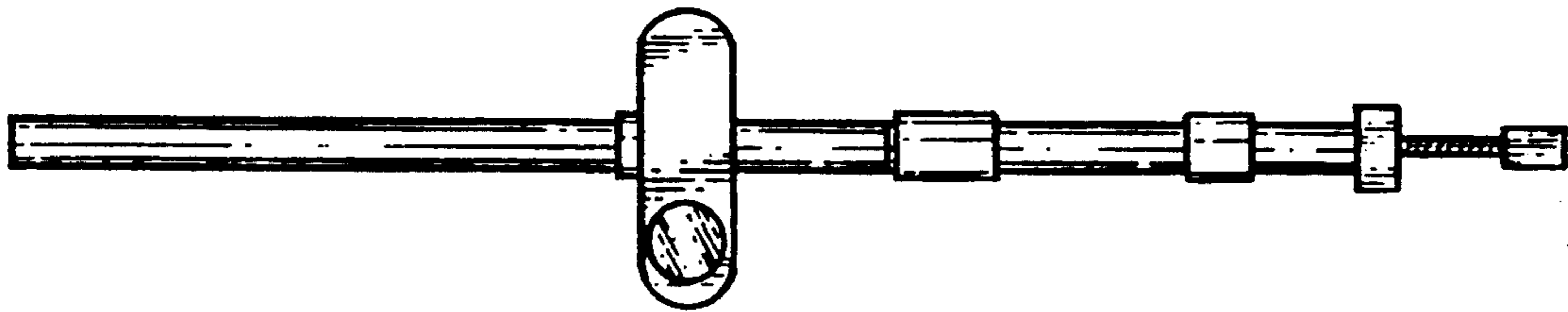


FIG. 6