



US00D342005S

**United States Patent** [19]  
**Forsberg**

[11] **Patent Number: Des. 342,005**

[45] **Date of Patent: \*\* Dec. 7, 1993**

[54] **HOLDING DEVICE FOR TOOL,  
INSTRUMENTS AND PIPES**

4,997,148 3/1991 Sherman ..... 248/74.1  
5,085,384 2/1992 Kasubke ..... 248/62

[76] **Inventor: Bengt Forsberg, Fänestad, 330 12  
Forsheda, Sweden**

*Primary Examiner*—Alan P. Douglas  
*Assistant Examiner*—J. H. Musgrove

[\*\*] **Term: 14 Years**

[57] **CLAIM**

[21] **Appl. No.: 813,219**

The ornamental design for holding device for tool,  
instruments and pipes, as shown and described.

[22] **Filed: Dec. 23, 1991**

**DESCRIPTION**

[30] **Foreign Application Priority Data**

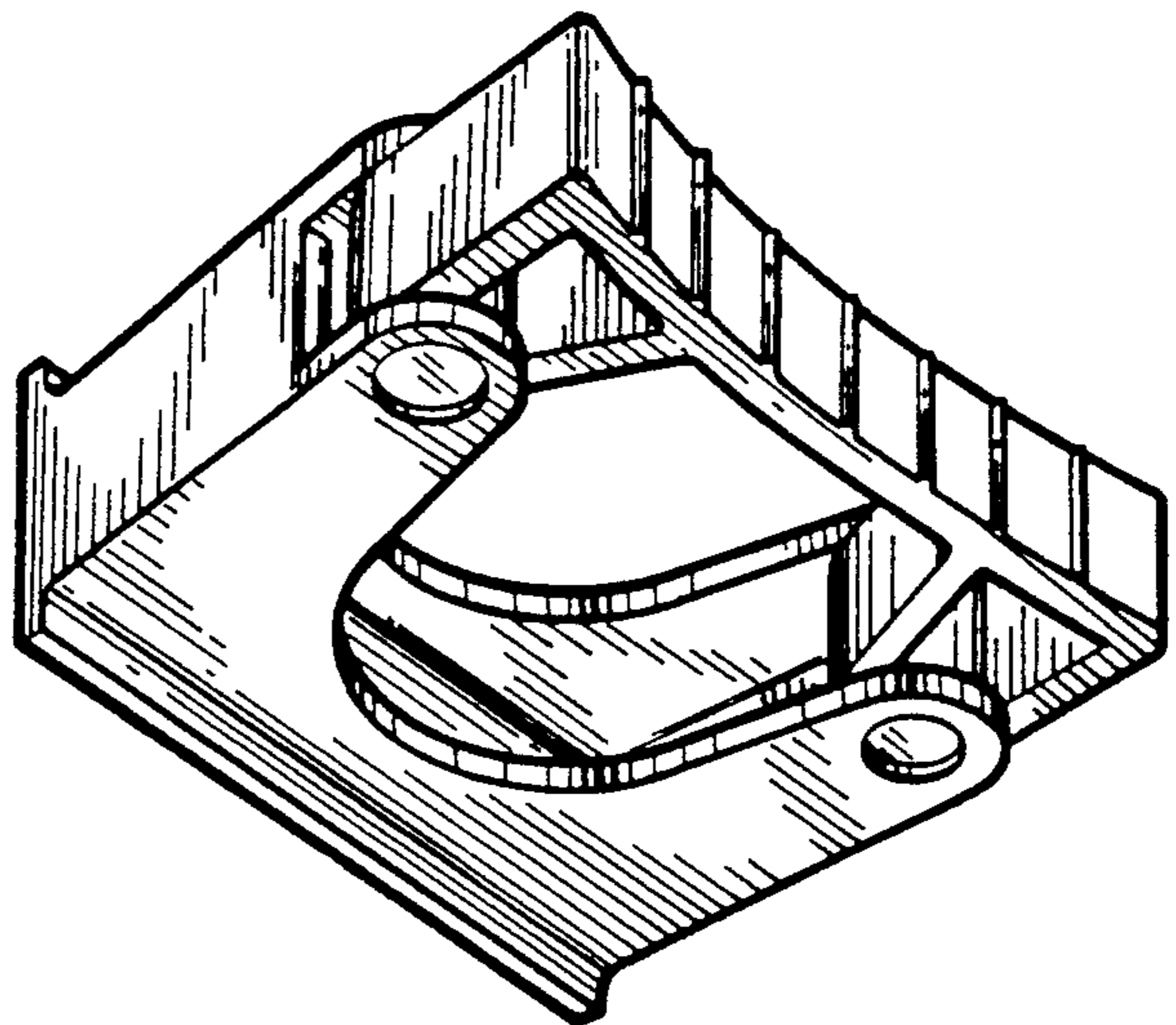
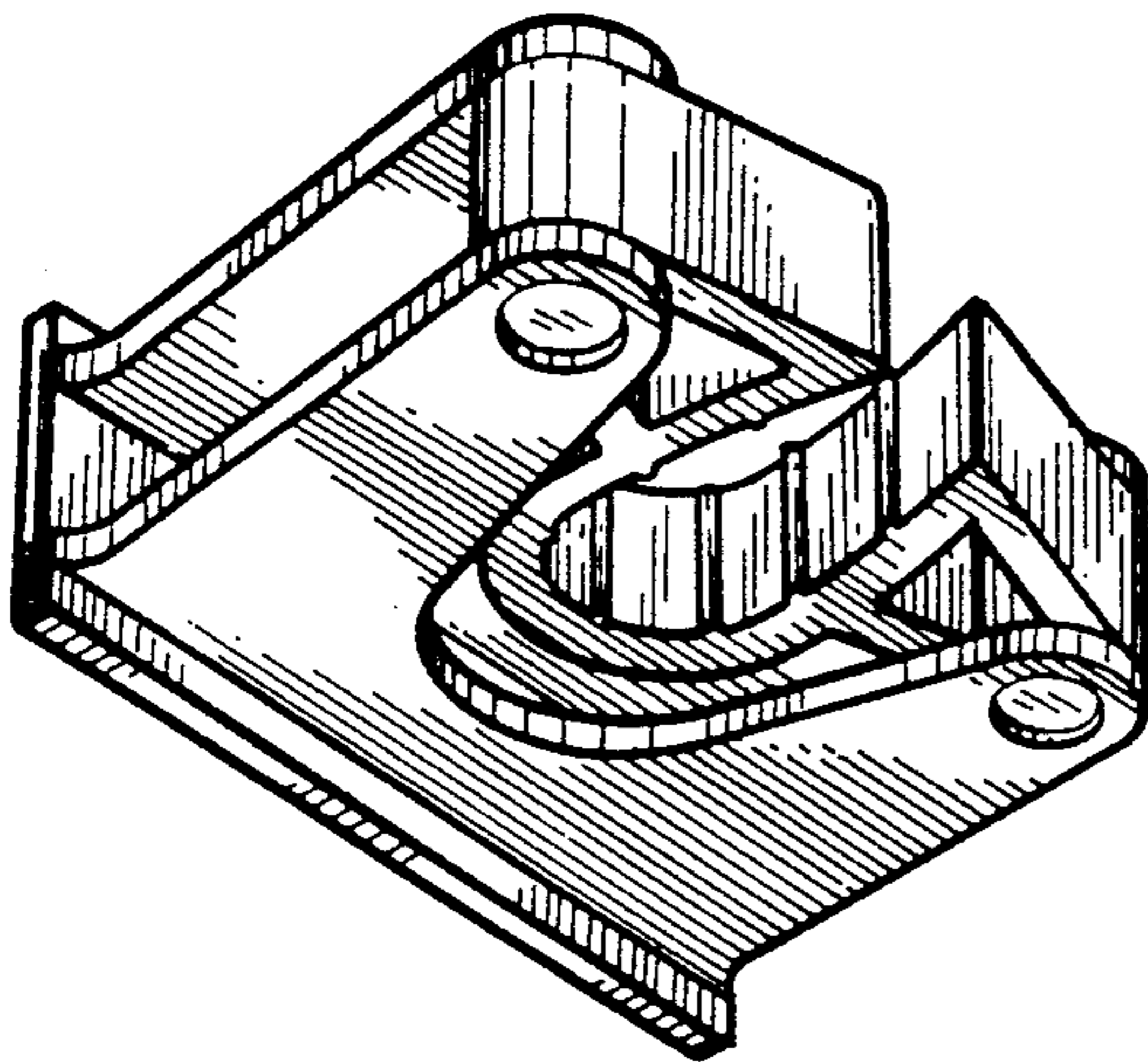
Jun. 24, 1991 [SE] Sweden ..... 91-1305  
Jun. 24, 1991 [SE] Sweden ..... 91-1306  
[52] **U.S. Cl. .... D8/72**  
[58] **Field of Search .... D8/72, 73; 248/74.1,  
248/62, 74.4, 65, 58, 55, 228; 269/268, 238**

FIG. 1 is a top rear perspective view of a holding device  
for tool, instruments and pipes showing my new design;  
FIG. 2 is a bottom front perspective view;  
FIG. 3 is a top rear perspective view showing the jaws  
in an open position;  
FIG. 4 is a bottom plan front perspective view thereof;  
FIG. 5 is a top rear perspective view of a second em-  
bodiment of my new design of FIGS. 1-4.  
FIG. 6 is a bottom front perspective view;  
FIG. 7 is a top rear perspective view showing the jaws  
in an open position; and,  
FIG. 8 is a bottom front perspective view thereof.

[56] **References Cited**

**U.S. PATENT DOCUMENTS**

4,744,535 5/1988 Patenaude ..... 248/74.1  
4,858,861 8/1989 Wilkinson, III ..... 269/238



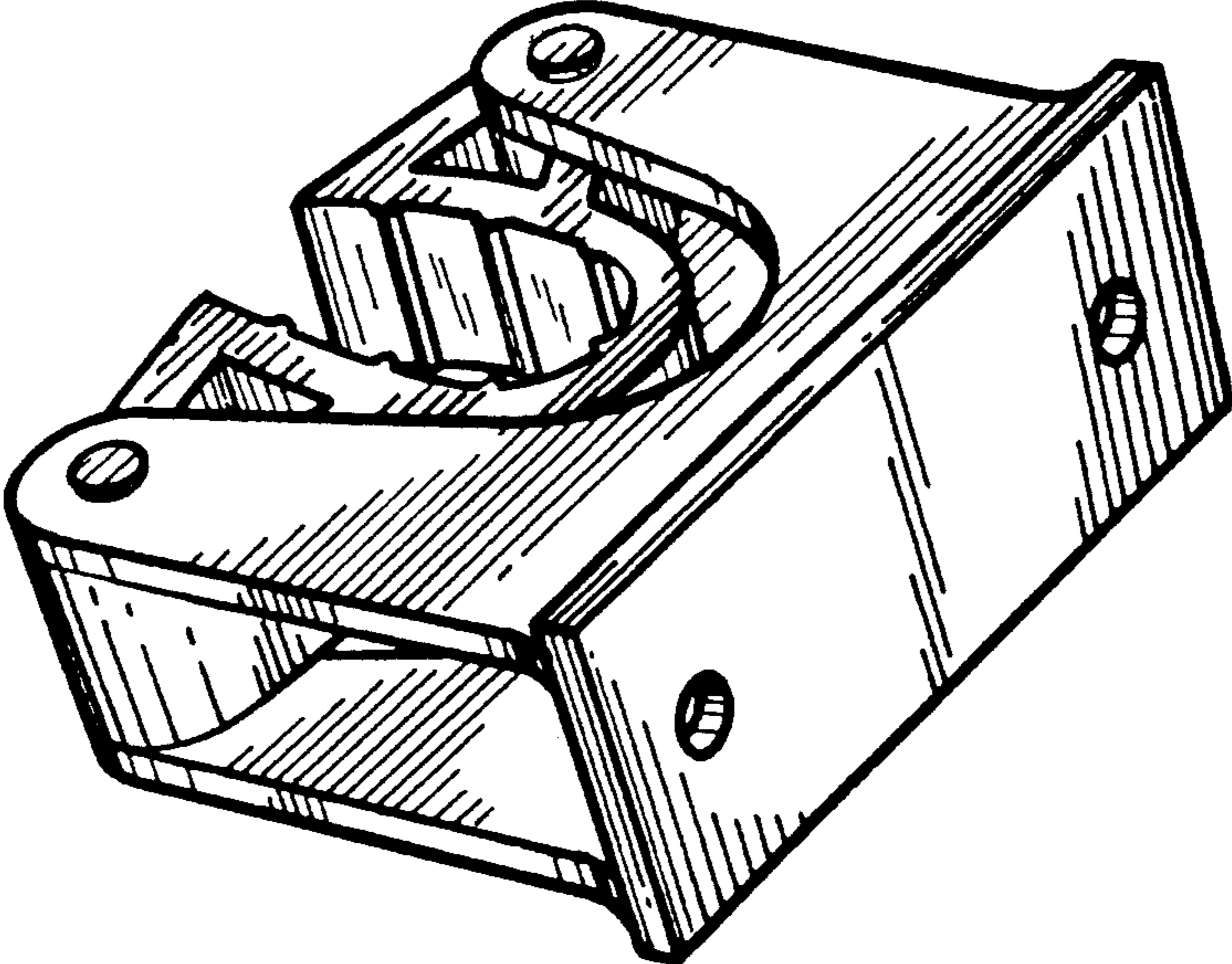


FIG. 1

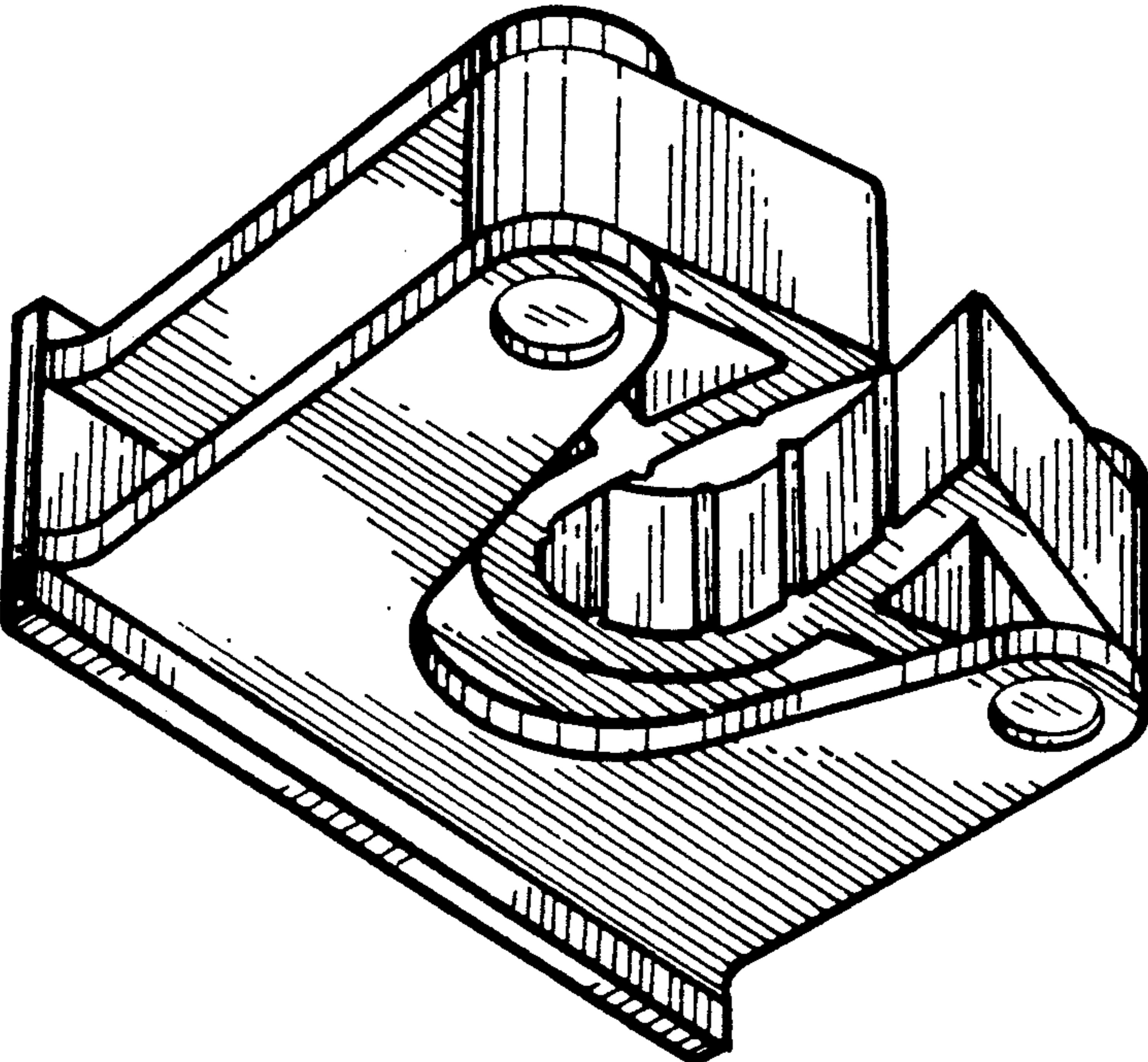


FIG. 2

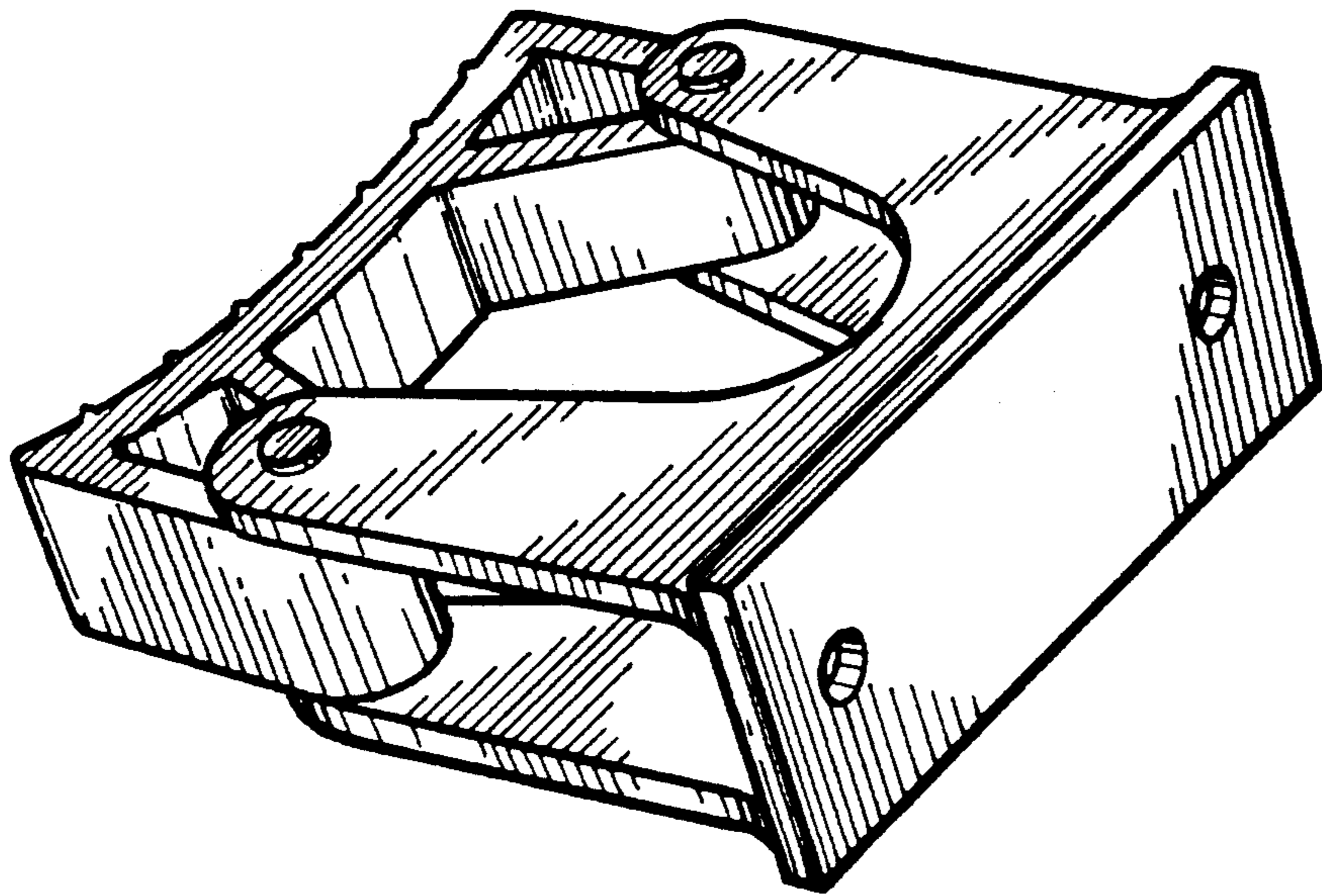


FIG. 3

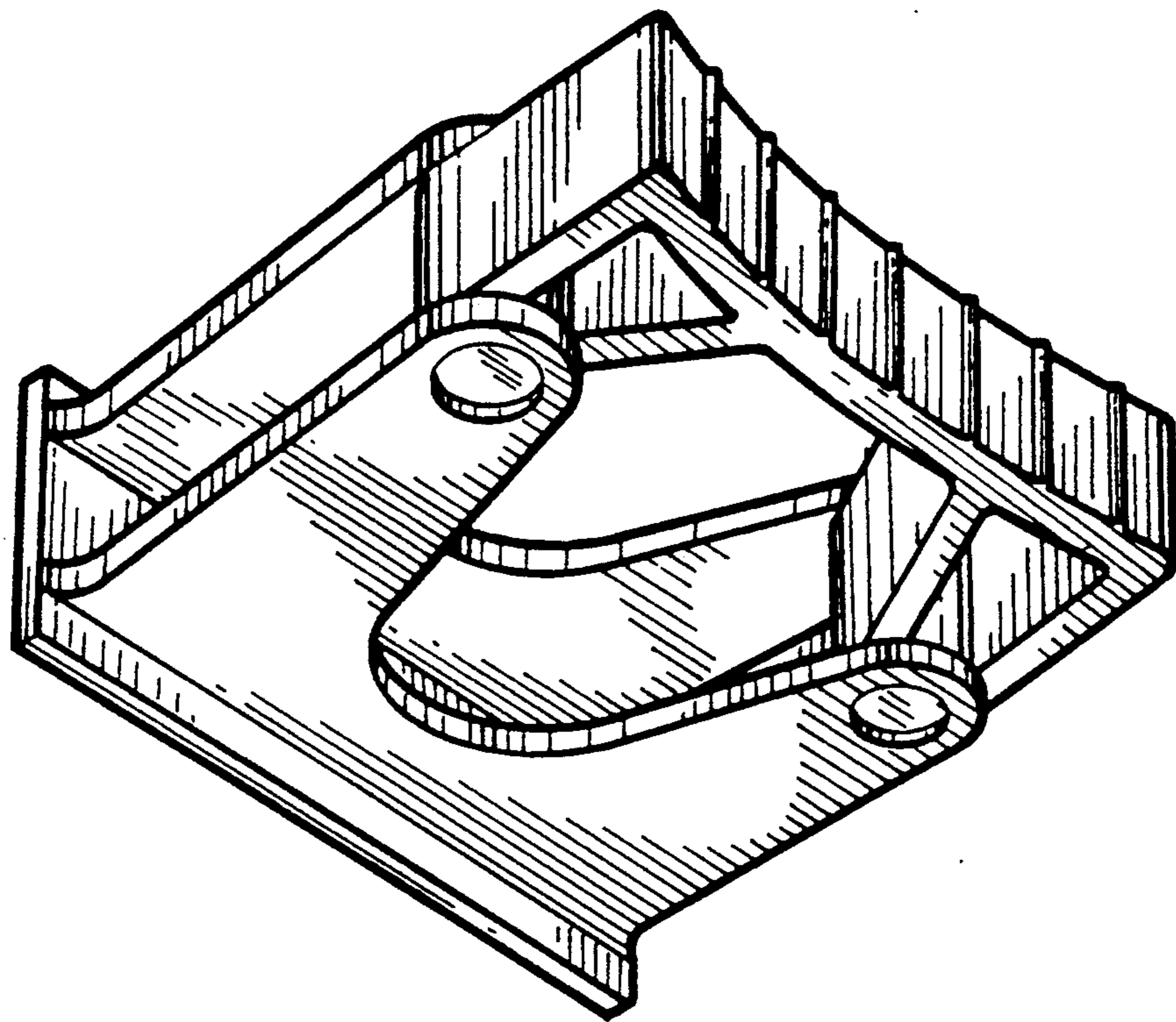


FIG. 4

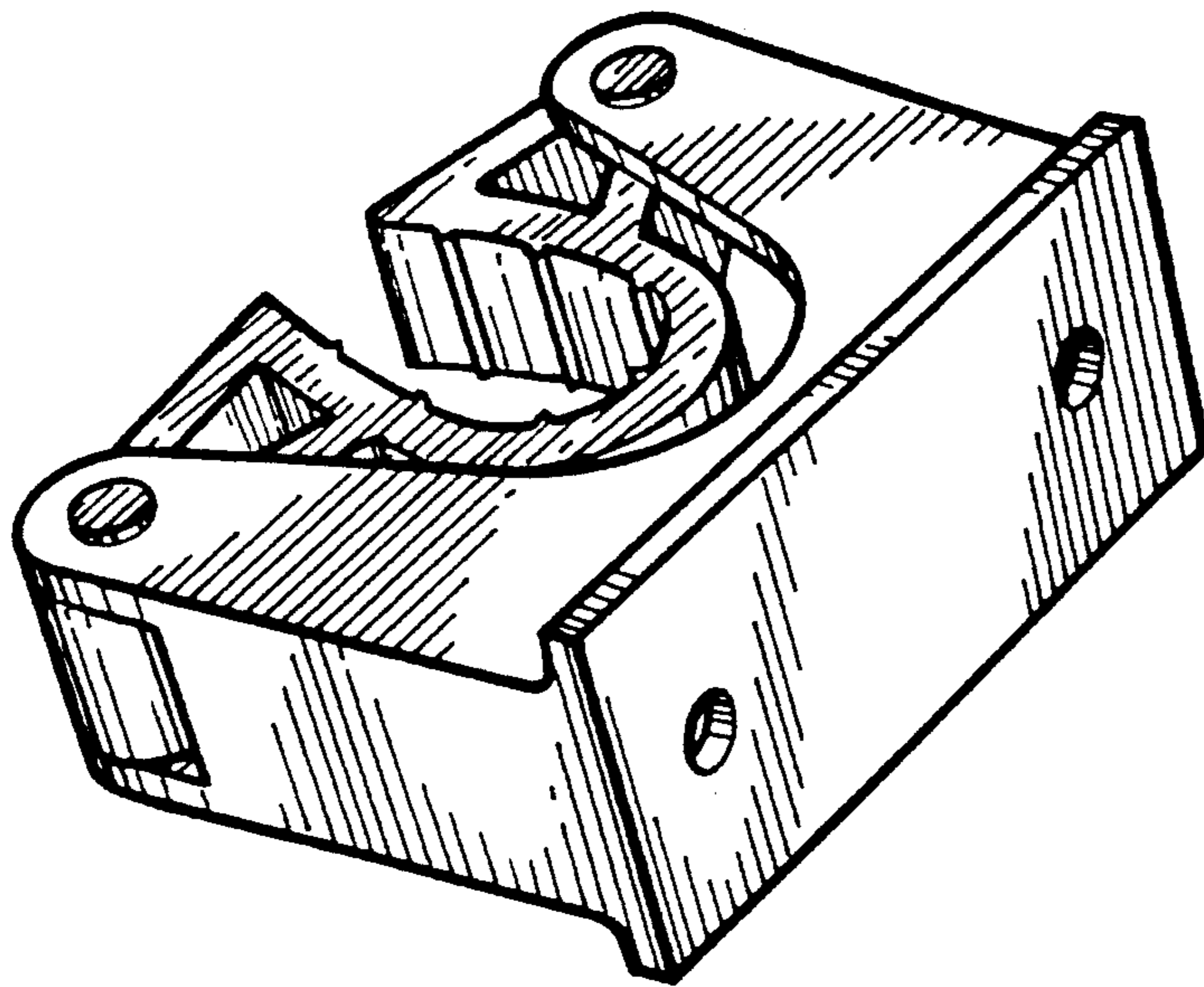


FIG. 5

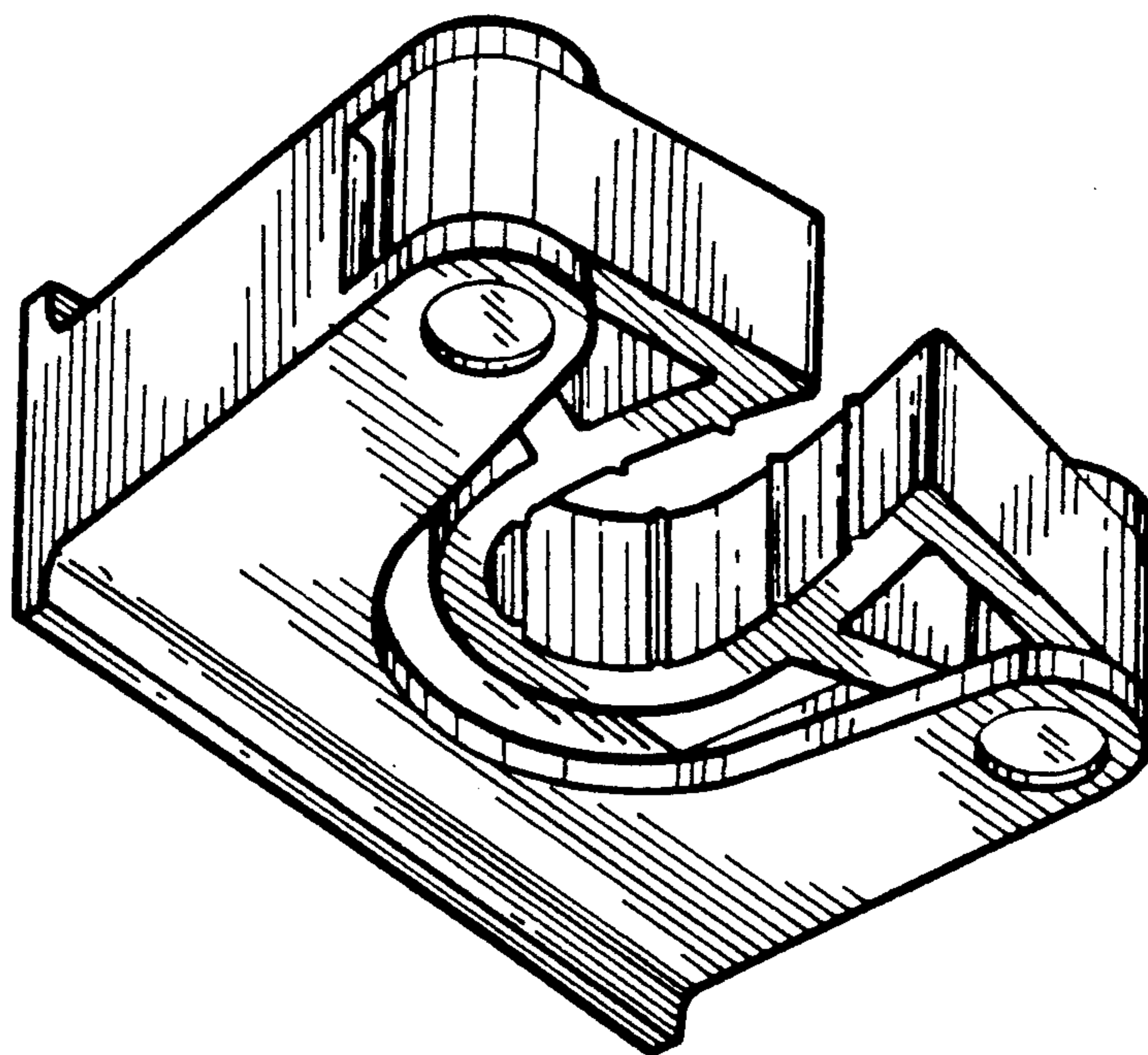


FIG. 6

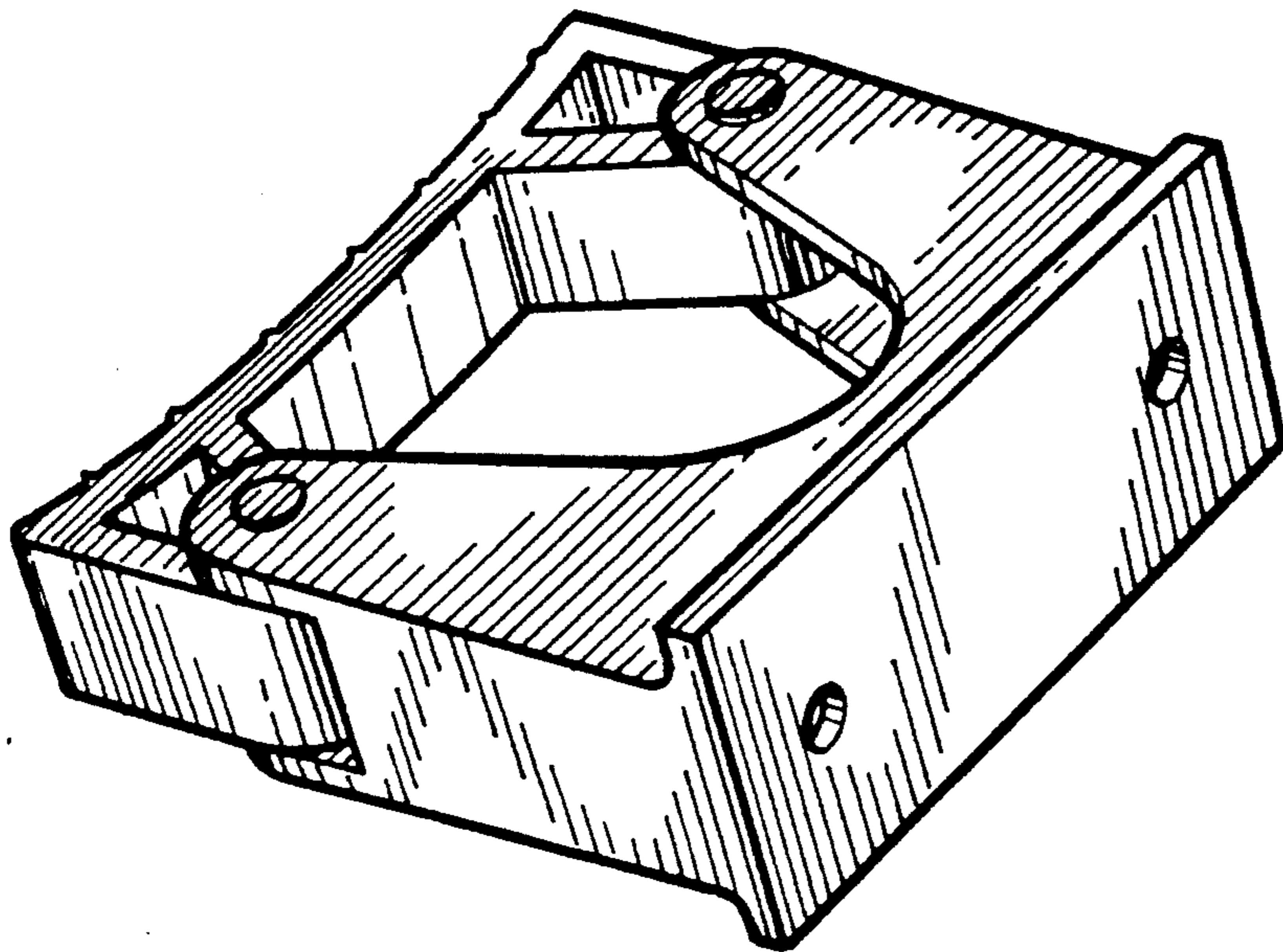


FIG. 7

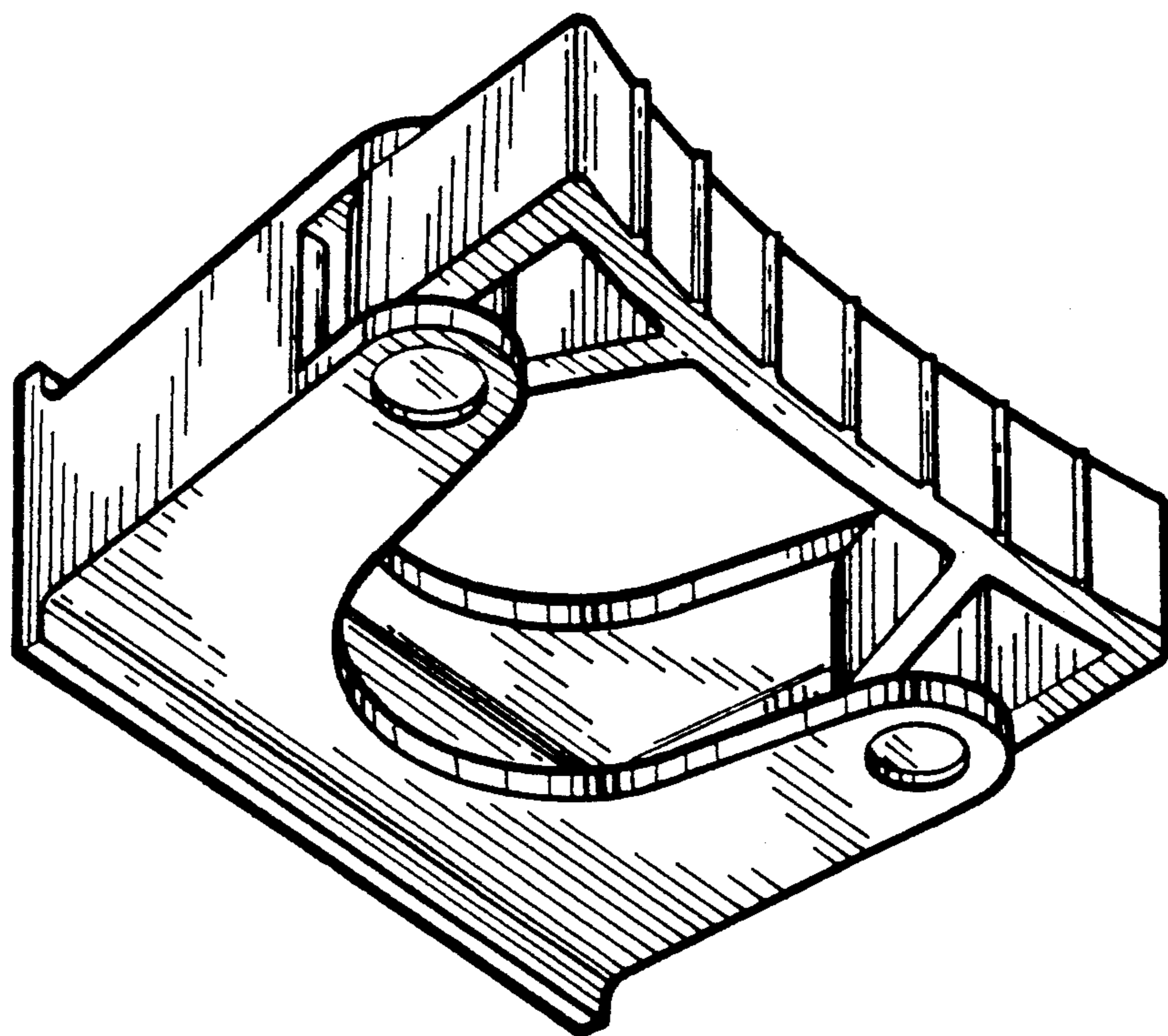


FIG. 8