



US00D342004S

# United States Patent [19]

[11] Patent Number: **Des. 342,004**

Wettstein

[45] Date of Patent: **\*\* Dec. 7, 1993**

[54] **GOLF SPIKE REMOVING WRENCH**

4,967,614	11/1990	Van Horssen	81/176.15
5,048,378	9/1991	Nikolas	81/176.15
5,072,634	12/1991	Ryder	81/176.15

[76] Inventor: **Whitney E. Wettstein**, 8746 Chariot Dr., Sandy, Utah 84094

[\*\*] Term: **14 Years**

*Primary Examiner*—Alan P. Douglas  
*Assistant Examiner*—J. H. Musgrove  
*Attorney, Agent, or Firm*—Terry M. Gernstein

[21] Appl. No.: **726,515**

[57] **CLAIM**

[22] Filed: **Jul. 8, 1991**

[52] U.S. Cl. .... **D8/70; D21/234**

The ornamental design for a golf spike removing wrench, as shown and described.

[58] Field of Search ..... **D21/234; D8/70; 81/176.1, 176.15; 273/23 B**

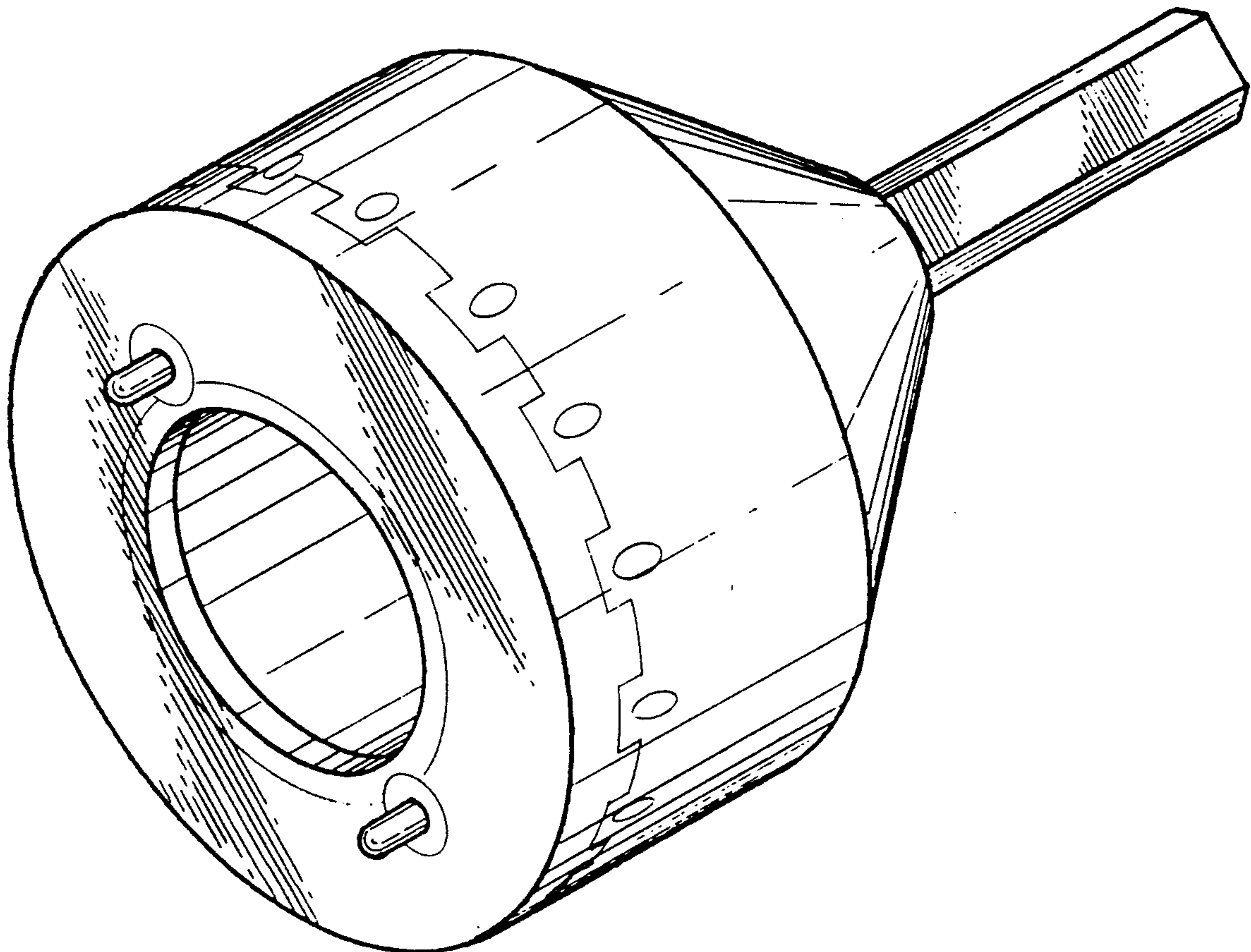
**DESCRIPTION**

[56] **References Cited**

**U.S. PATENT DOCUMENTS**

D. 305,056	12/1989	Ricks	D21/234
D. 306,471	3/1990	Gabbert, Jr.	D21/234
D. 320,542	10/1991	McCord, Jr.	D8/70
4,648,187	3/1987	Dassler	36/134
4,651,448	3/1987	Chen	36/134
4,667,422	5/1987	Yamaguchi	36/67 A

FIG. 1 is a perspective view of the golf spike removing wrench embodying the design of the present invention; FIG. 2 is a top plan view thereof; FIG. 3 is a bottom plan view thereof; FIG. 4 is a front elevational view thereof, the rear being a mirror image of the front shown in FIG. 4; and, FIG. 5 is a side elevational view thereof, the side opposite being a mirror image of the side shown in FIG. 5.



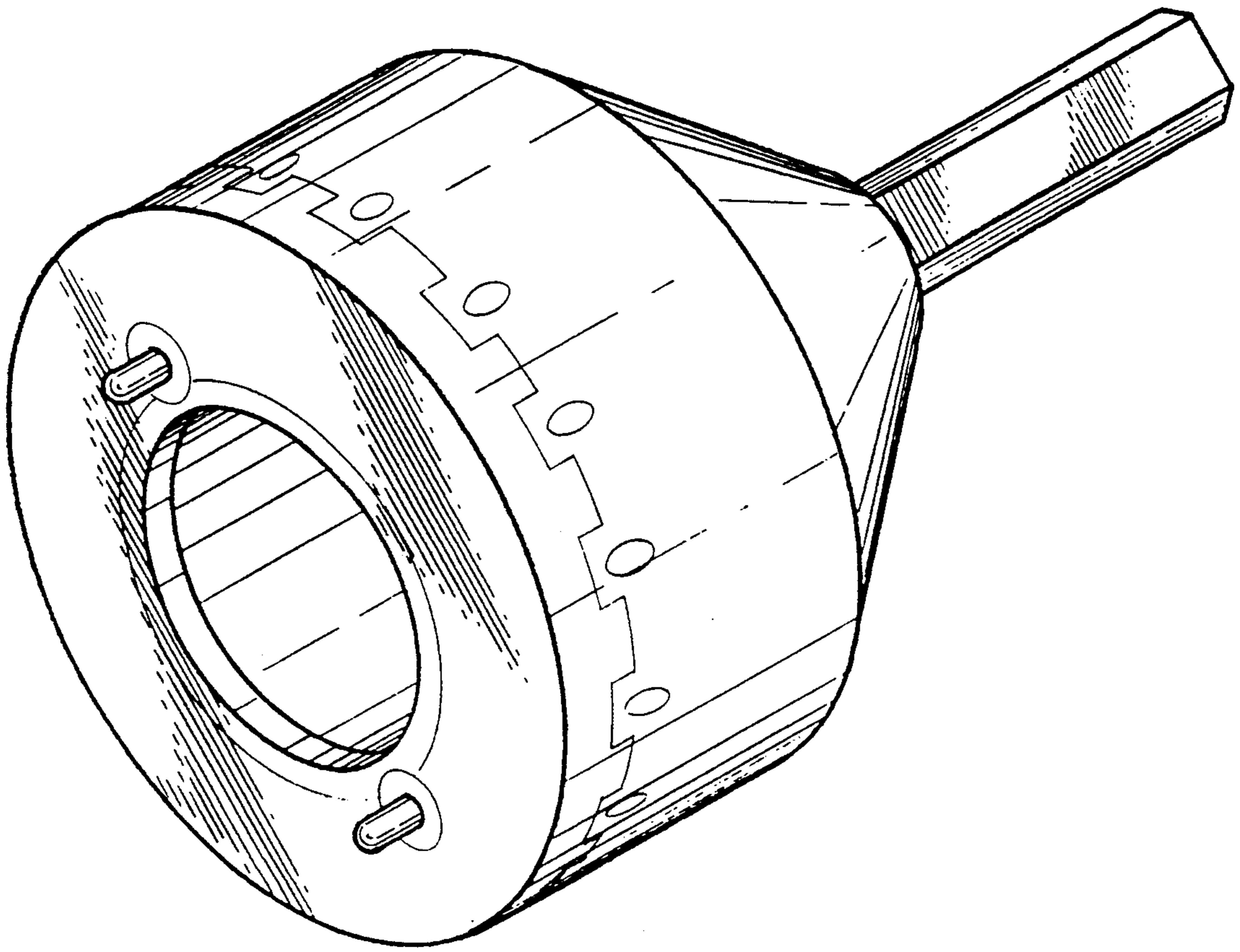


FIG.1

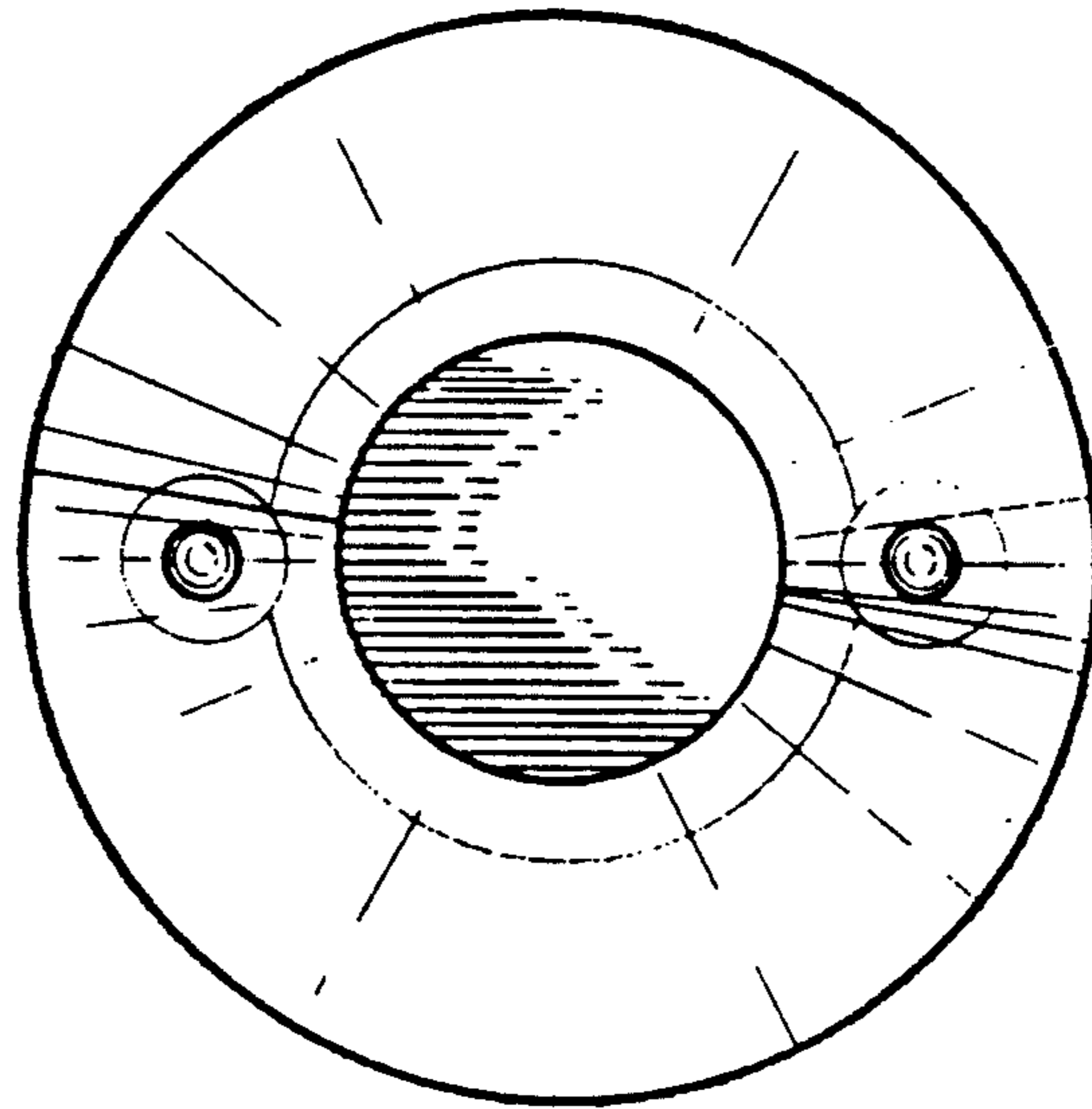


FIG. 2

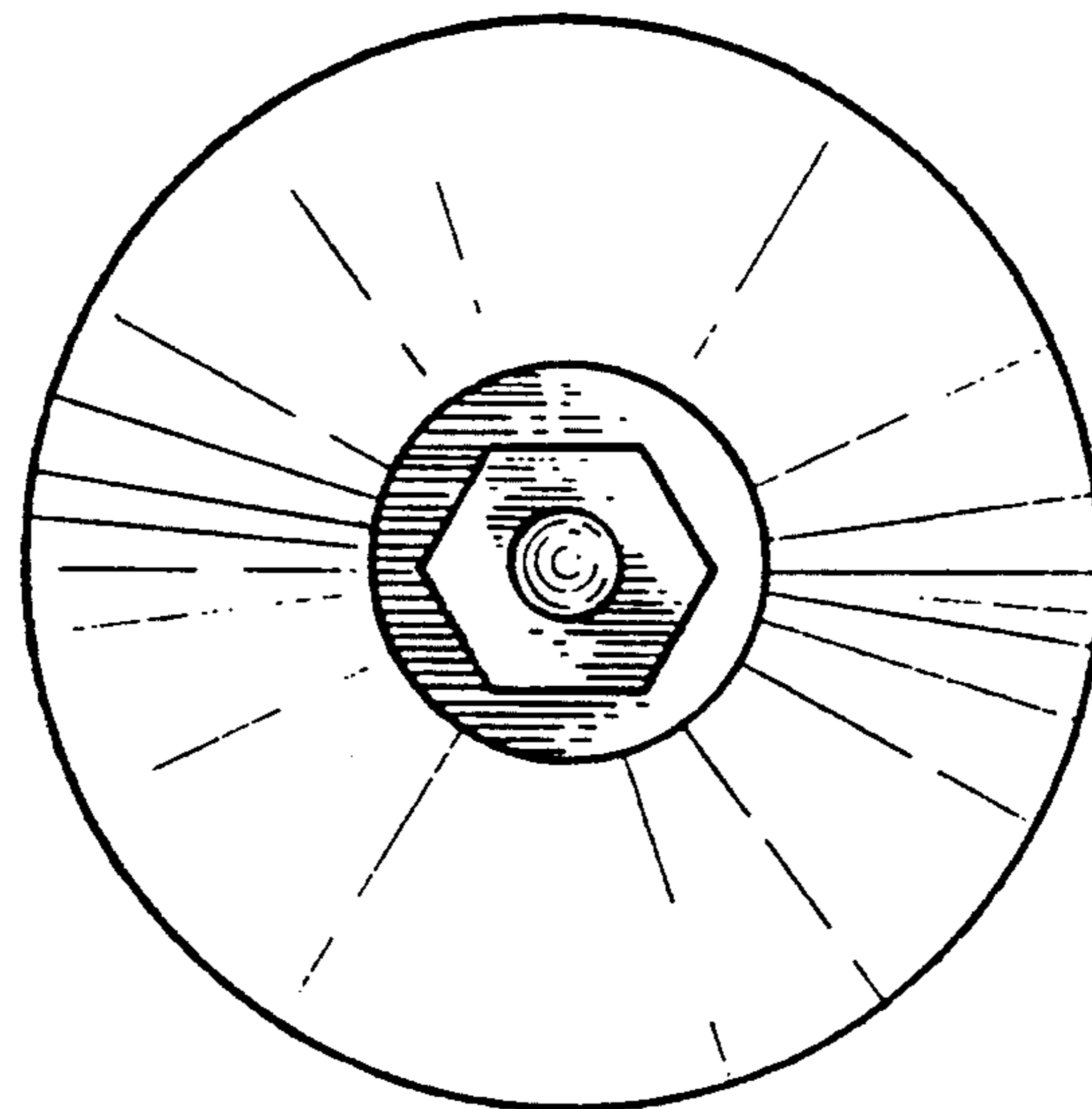


FIG. 3

FIG. 4

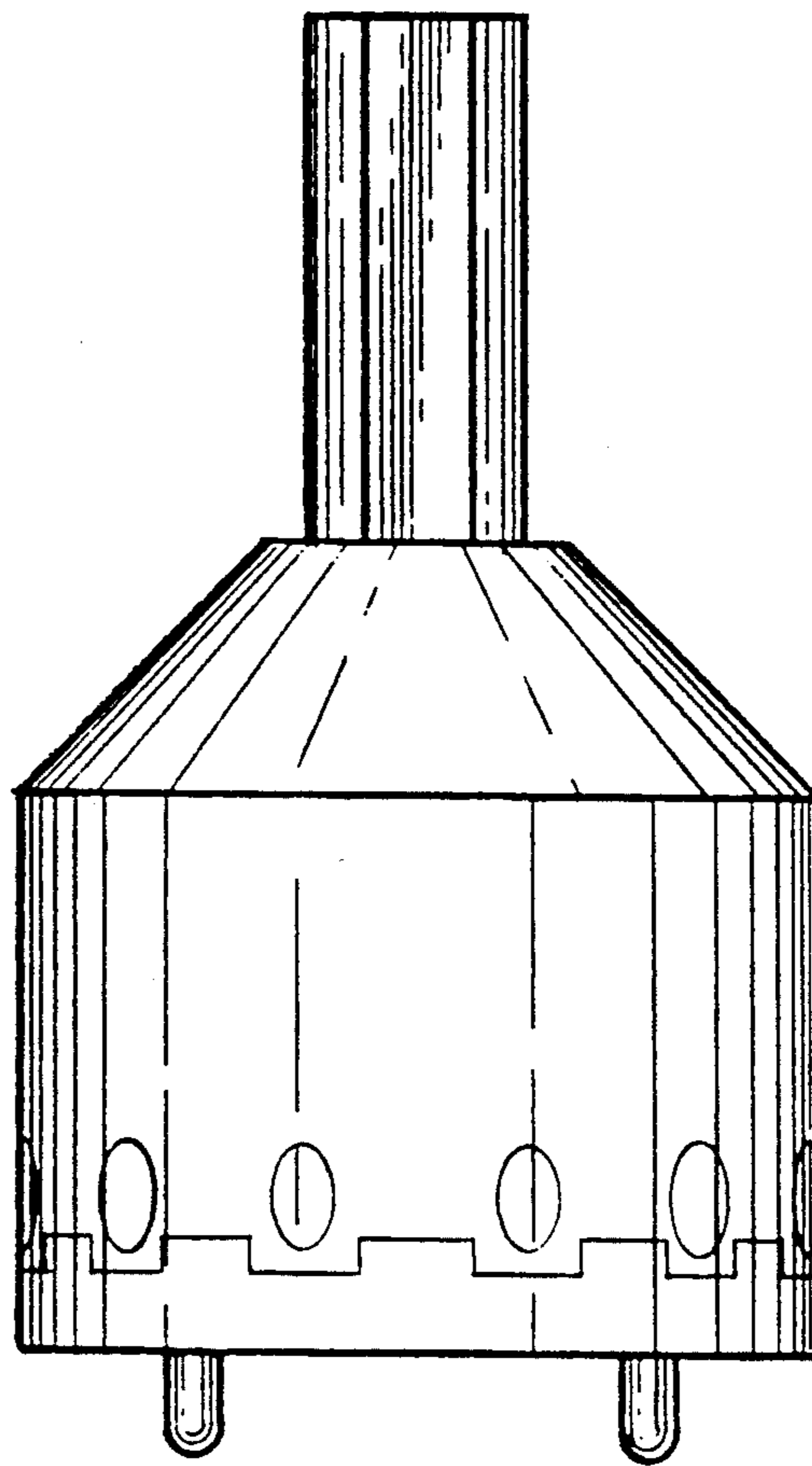


FIG. 5

