



US00D341998S

United States Patent [19]

[11] Patent Number: **Des. 341,998**

Tanfoglio

[45] Date of Patent: **** Dec. 7, 1993**

[54] **SPAGHETTI TONGS**

D. 314,889 2/1991 Bonomi D7/687
3,957,298 5/1976 Purchase D7/686 X
5,054,835 10/1991 Loechel et al. 294/3 X

[75] Inventor: **Dario Tanfoglio**, Fornaci-Brescia,
Italy

Primary Examiner—Terry A. Wallace
Attorney, Agent, or Firm—Hedman, Gibson & Costigan

[73] Assignee: **Fratelli Guzzini S.p.A.**, Recanati,
Italy

[57] **CLAIM**

[**] Term: **14 Years**

The ornamental design for spaghetti tongs, as shown
and described.

[21] Appl. No.: **880,609**

DESCRIPTION

[22] Filed: **May 8, 1992**

[52] U.S. Cl. **D7/686**

[58] Field of Search **D7/683-687;**
294/3, 8.5, 11, 16, 99.1, 99.2, 118, 119

FIG. 1 is a perspective view of the spaghetti tongs
showing my new design;
FIG. 2 is a top plan view thereof;
FIG. 3 is a bottom plan view thereof;
FIG. 4 is a front elevation view thereof;
FIG. 5 is a rear elevation view thereof; and,
FIG. 6 is a side elevational view, the opposite side being
a mirror image.

[56] **References Cited**

U.S. PATENT DOCUMENTS

D. 189,488 12/1960 Page D7/686

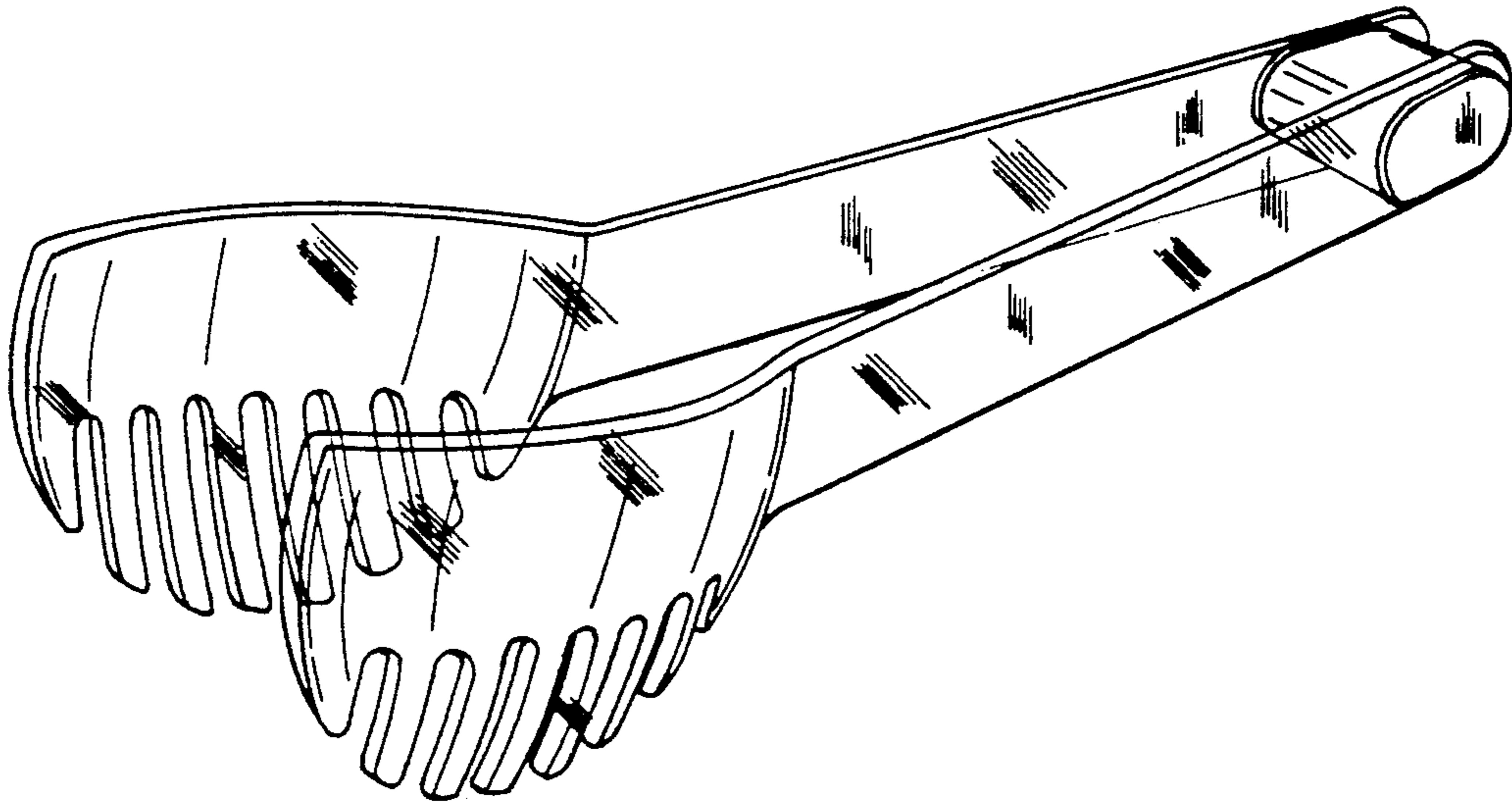
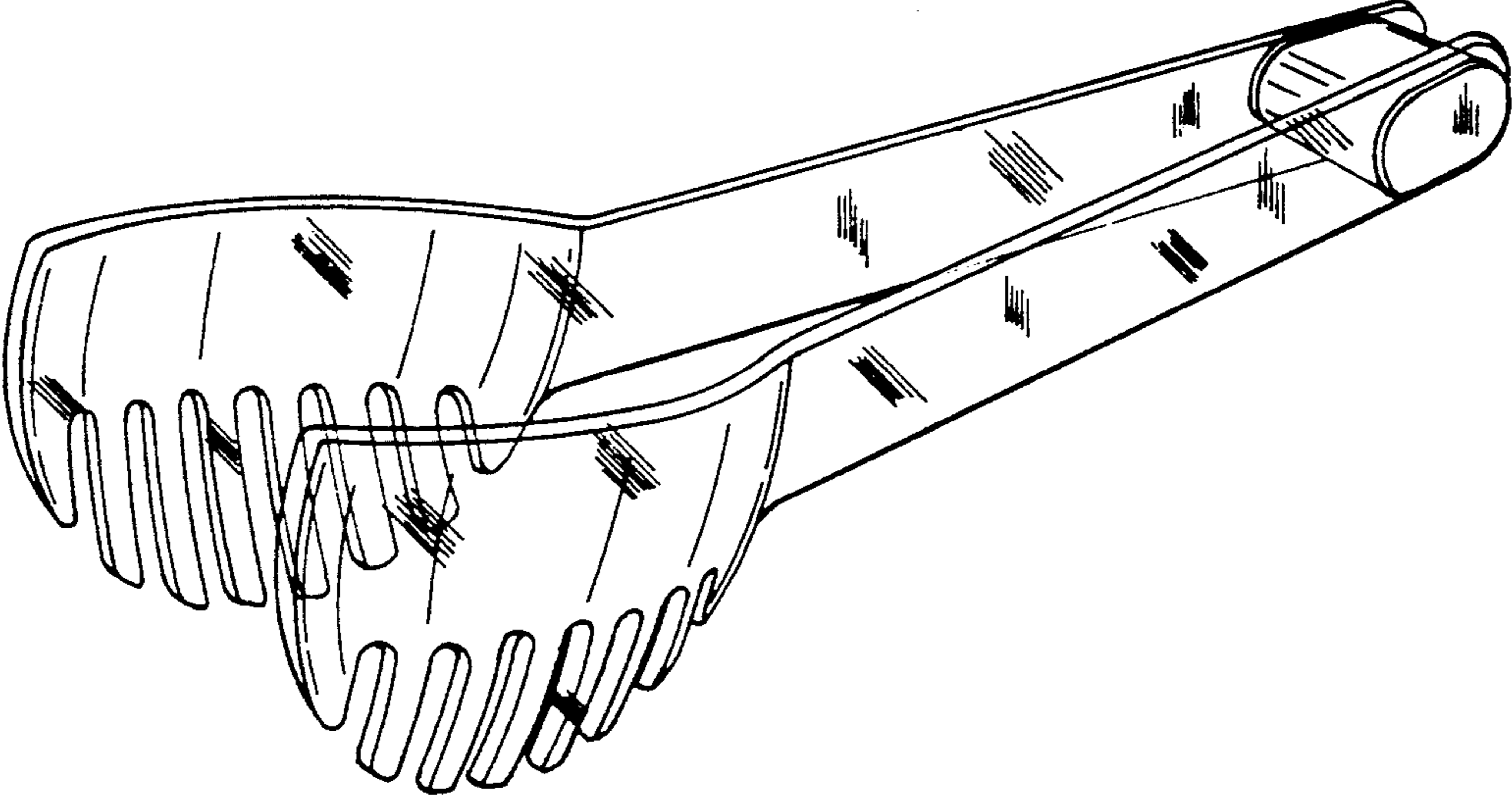
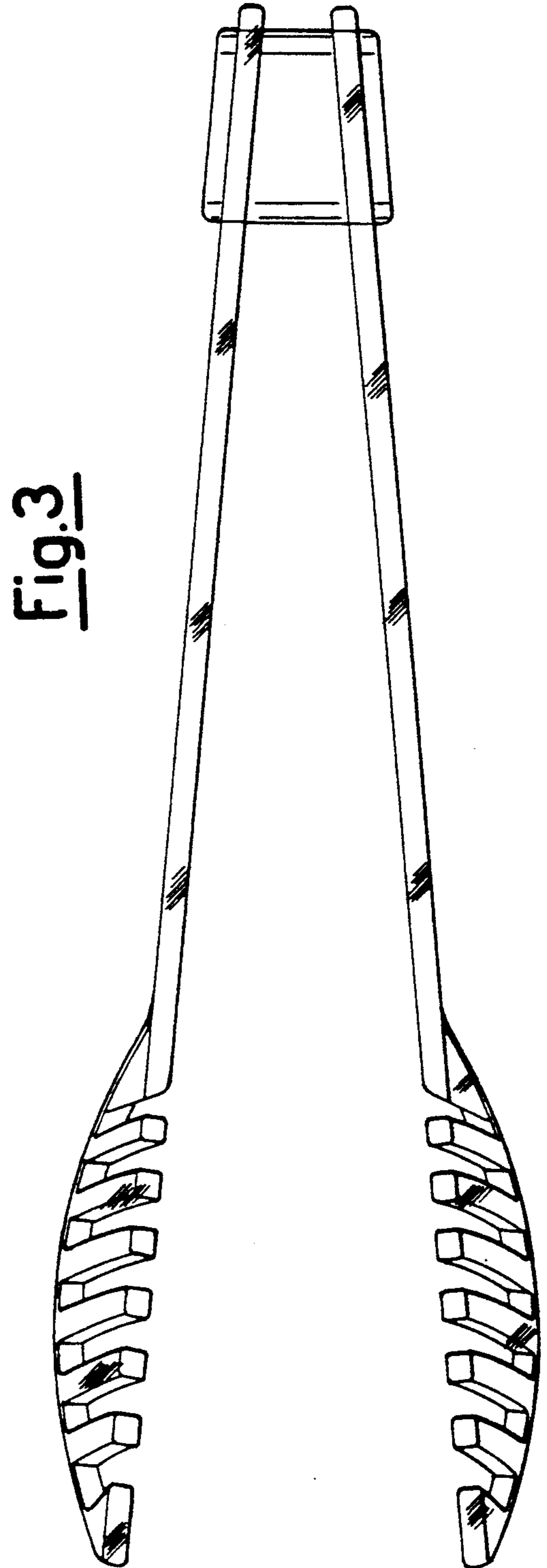
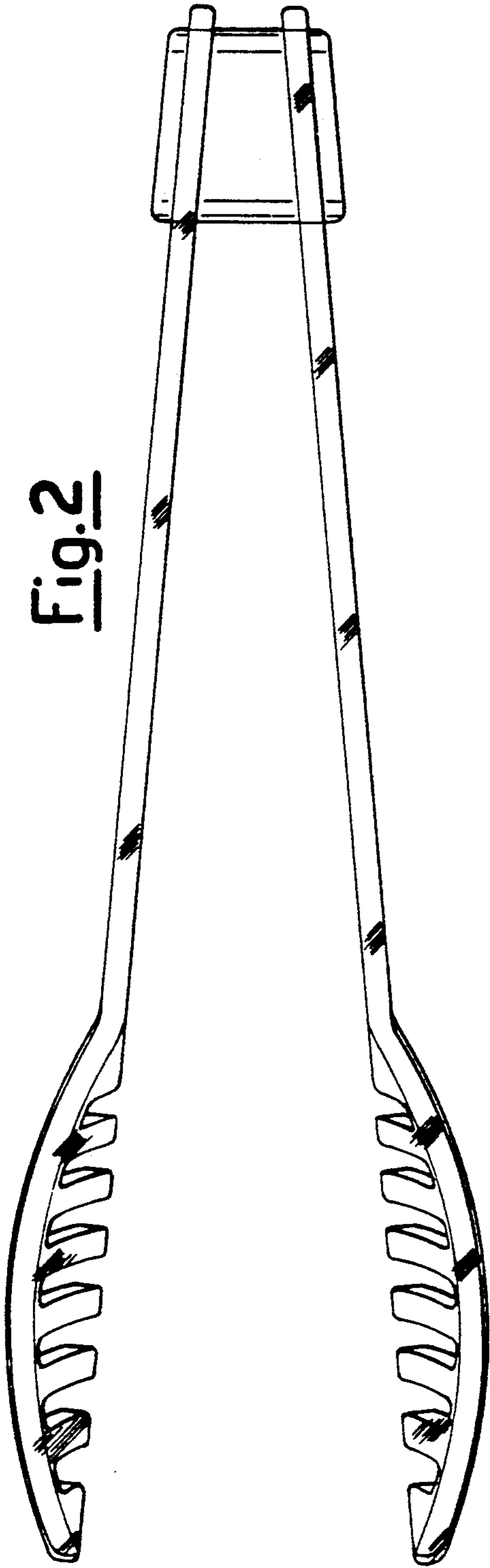


Fig.1





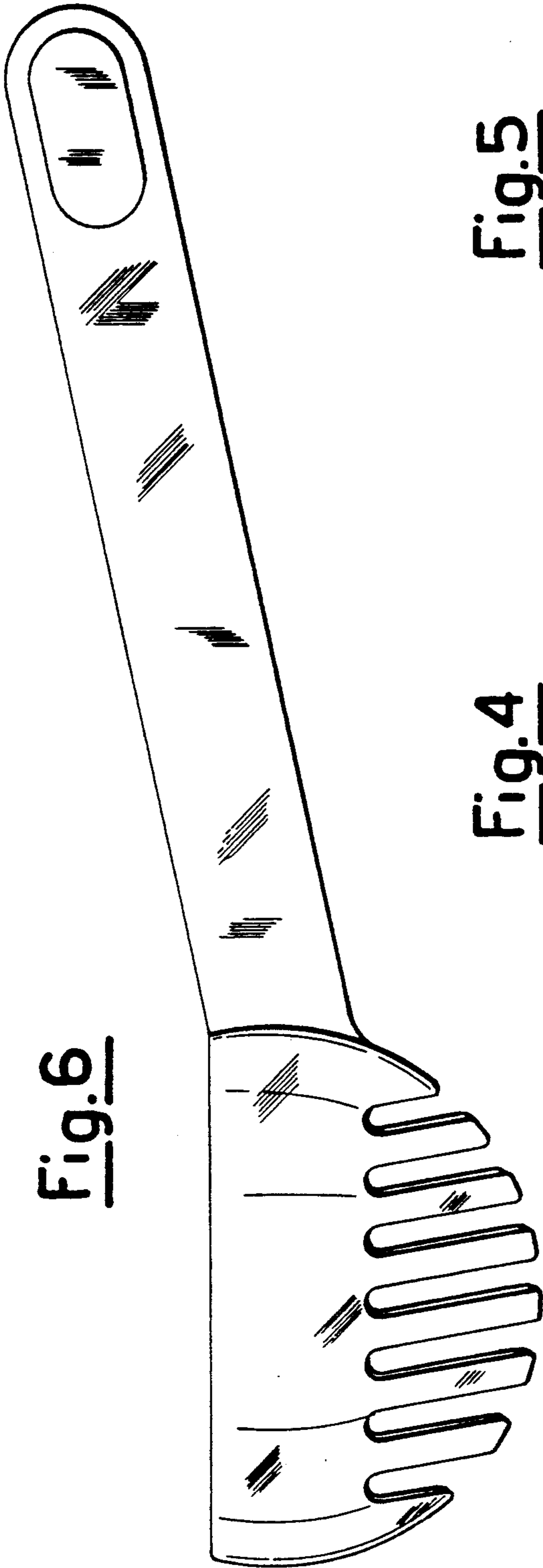


Fig. 6

Fig. 4

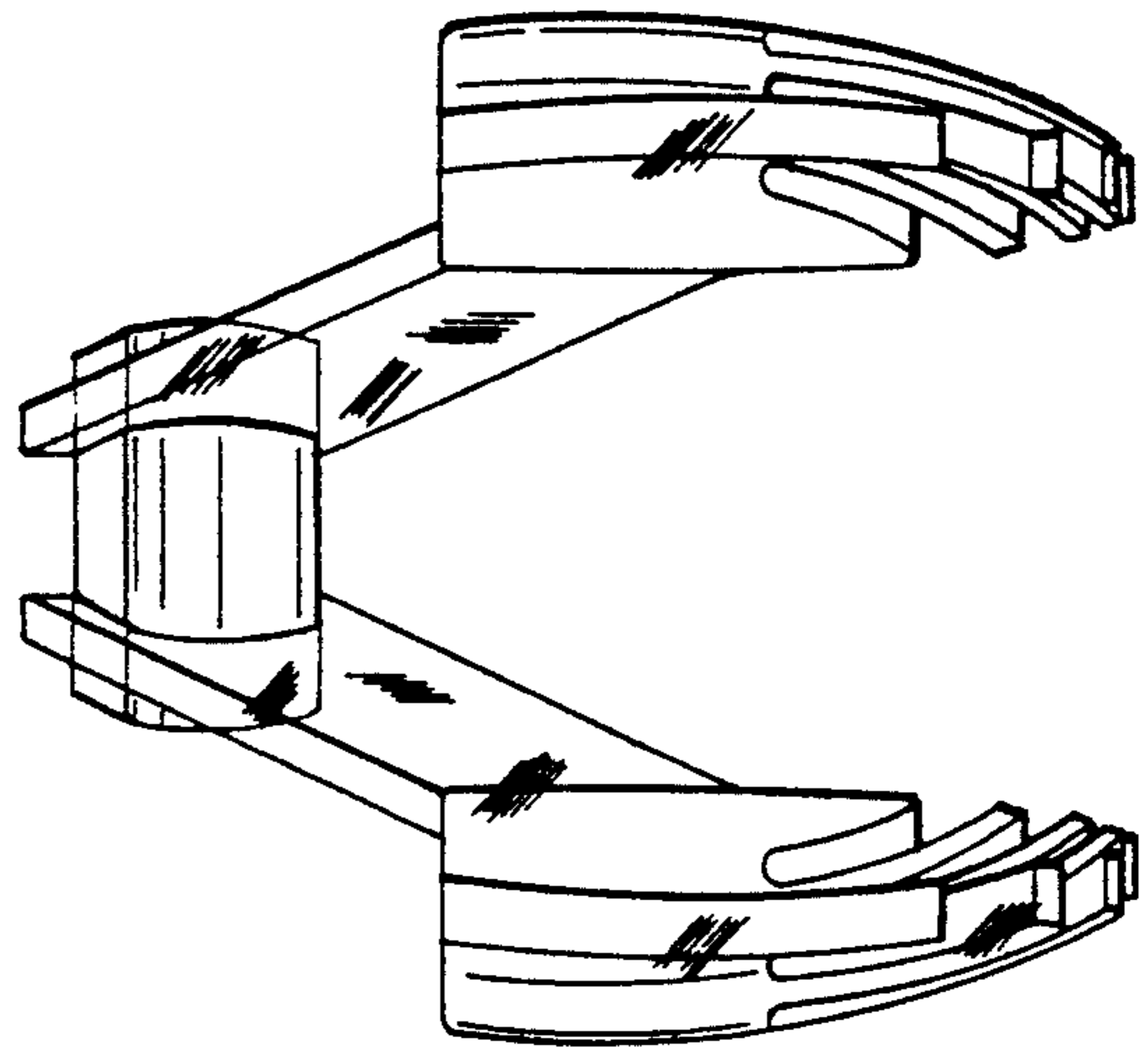


Fig. 5

