



US00D341997S

United States Patent [19]

[11] Patent Number: **Des. 341,997**

Tanfoglio

[45] Date of Patent: **** Dec. 7, 1993**

[54] **FOOD TONGS**

[56] **References Cited**

[75] Inventor: **Dario Tanfoglio, Fornaci, Italy**

U.S. PATENT DOCUMENTS

[73] Assignee: **Fratelli Guzzini S.p.A., Recanati, Italy**

D. 189,488	12/1960	Page	D7/686
D. 314,889	2/1991	Bonomi	D7/687
3,957,298	5/1976	Purchase	D7/686 X
5,054,835	10/1991	Loechel et al.	294/3 X

[**] Term: **14 Years**

Primary Examiner—Terry A. Wallace
Attorney, Agent, or Firm—Hedman, Gibson & Costigan

[21] Appl. No.: **880,608**

[57] CLAIM

The ornamental design for food tongs, as shown and described.

[22] Filed: **May 8, 1992**

DESCRIPTION

[30] Foreign Application Priority Data

FIG. 1 is a perspective view of the food tongs showing my new design;
 FIG. 2 is a top plan view thereof, the opposite side being a mirror image;
 FIG. 3 is a front elevation view thereof;
 FIG. 4 is a rear elevation view thereof;
 FIG. 5 is a right side elevational view thereof; and,
 FIG. 6 is a left side elevational view thereof.

Nov. 11, 1991 [IT] Italy MI91-0000793
 [52] U.S. Cl. D7/686
 [58] Field of Search D7/683-687;
 294/3, 8.5, 11, 16, 99.1, 99.2, 118, 119

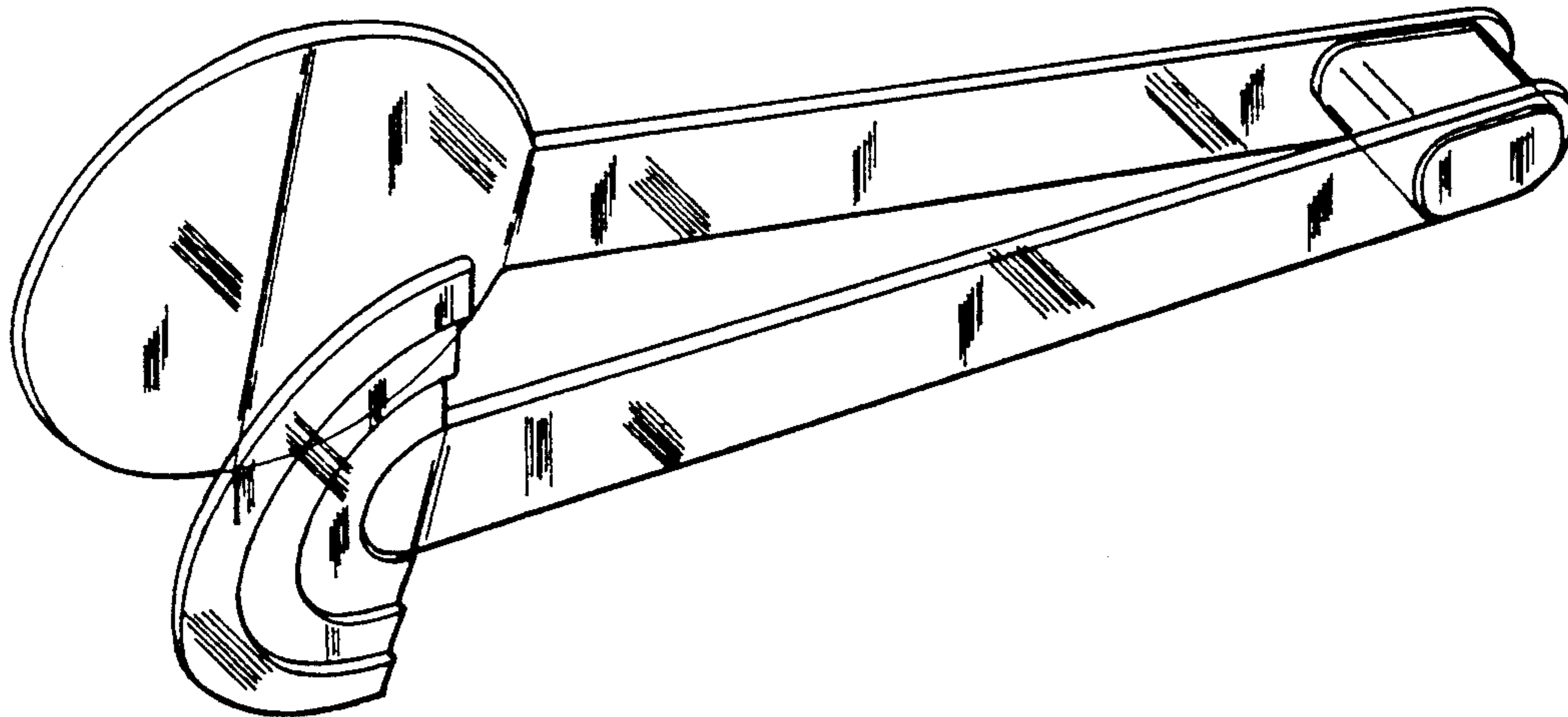


Fig.1

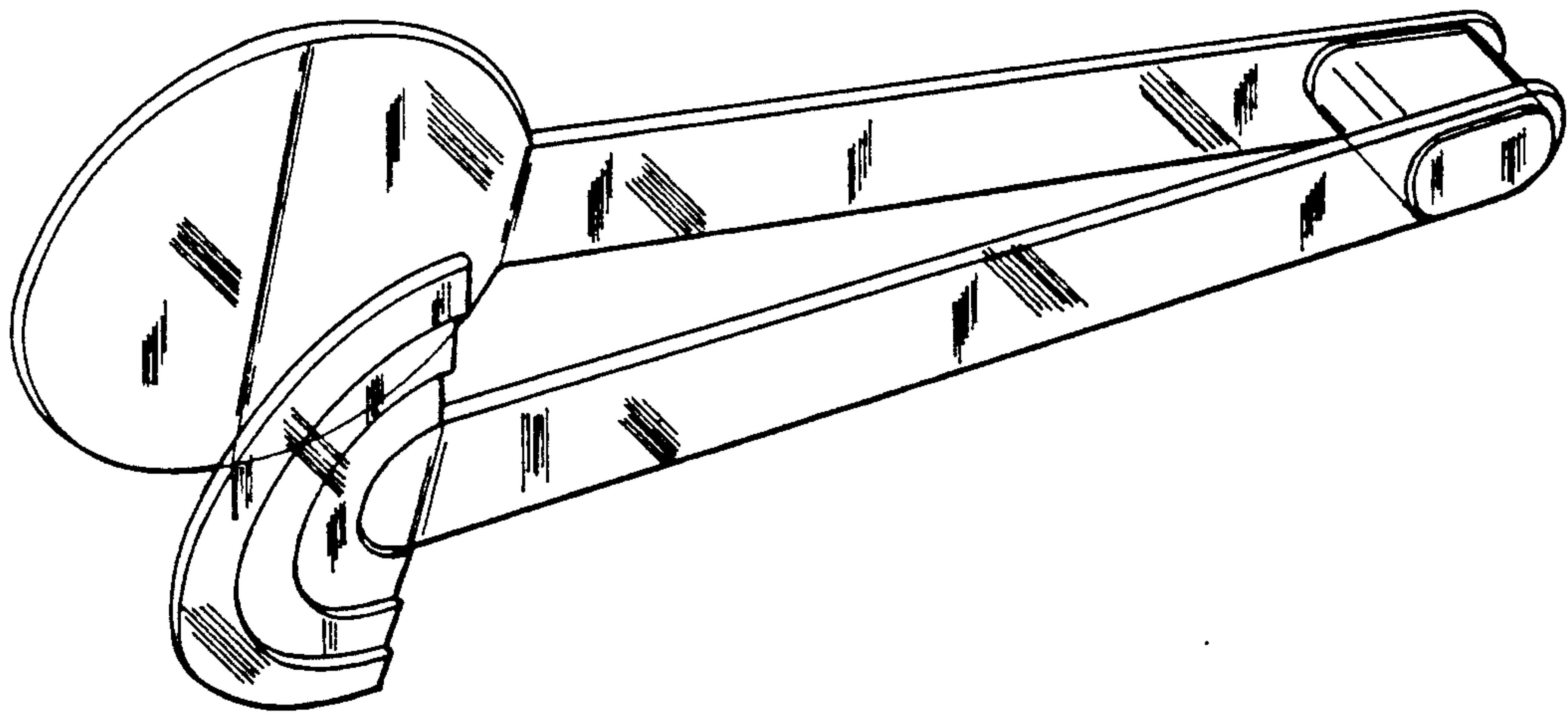


Fig.2

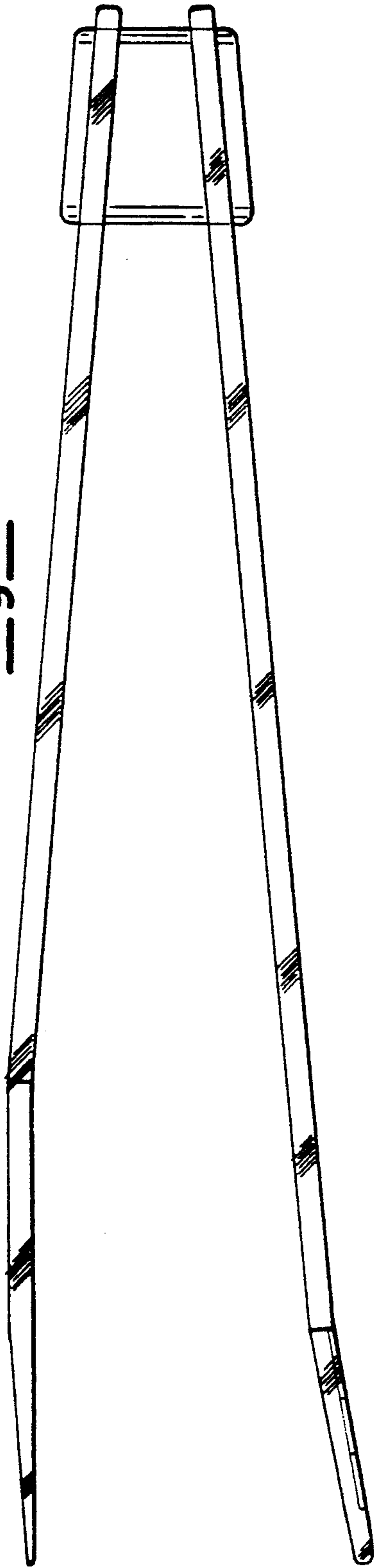


Fig.4

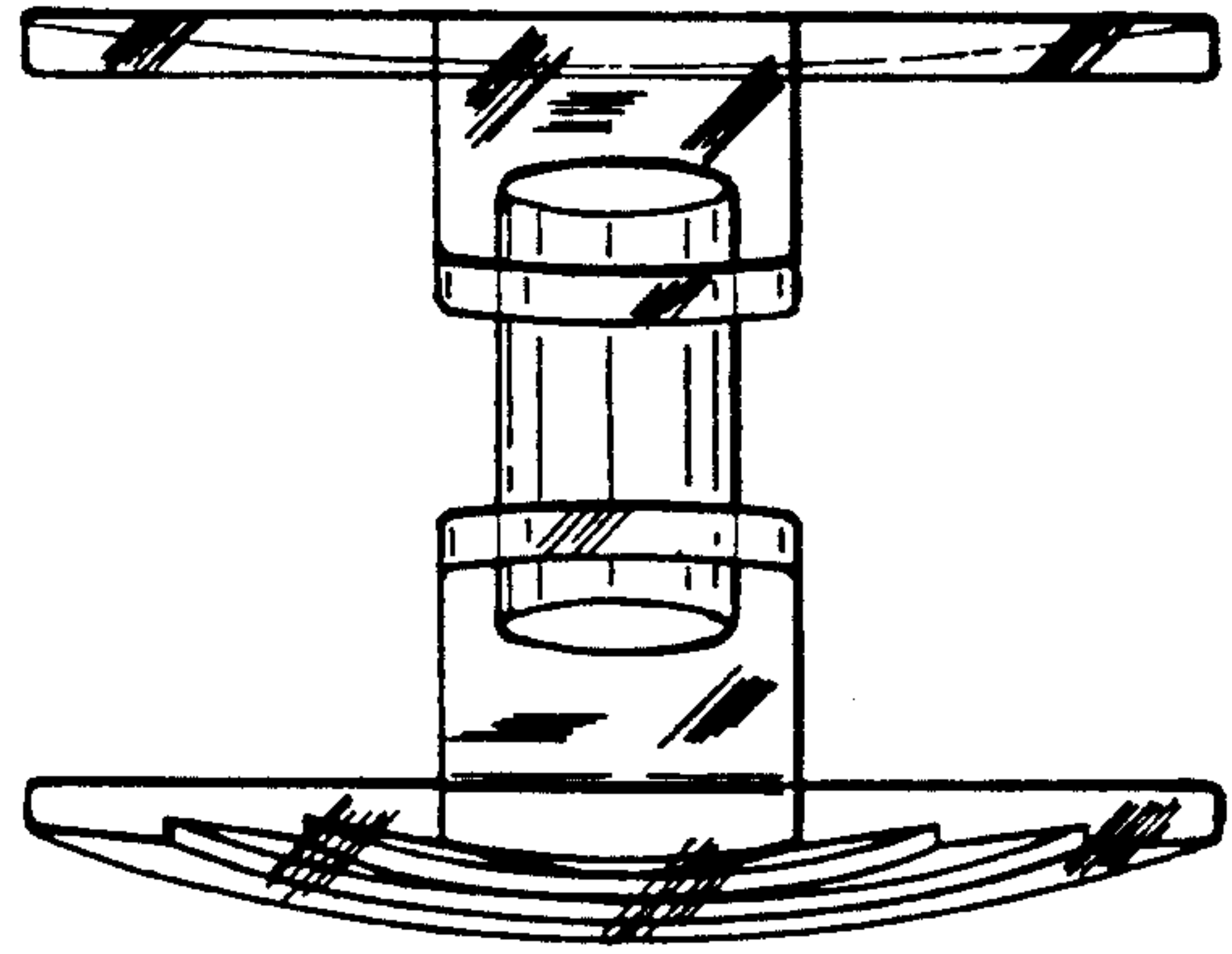


Fig.3

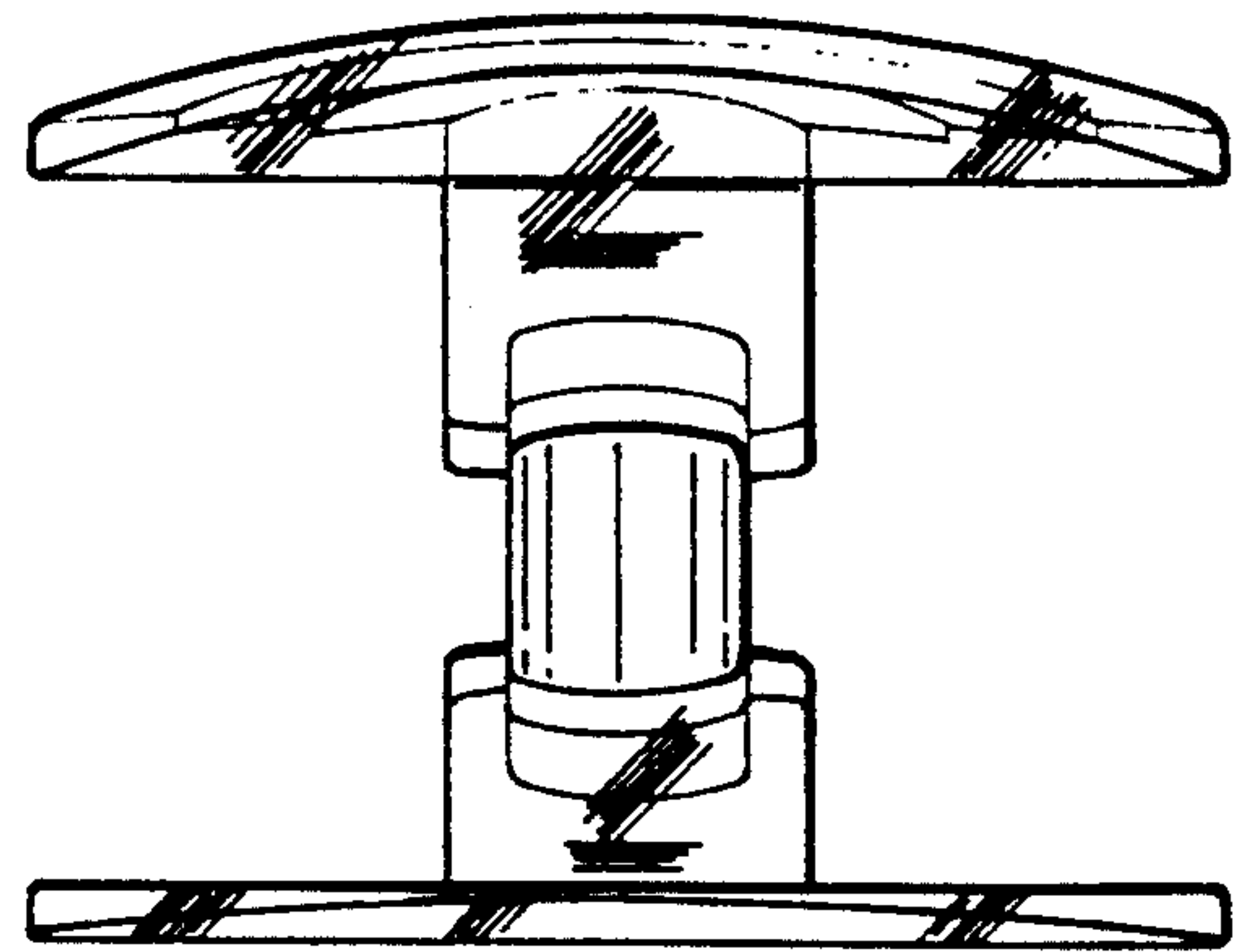


Fig. 5

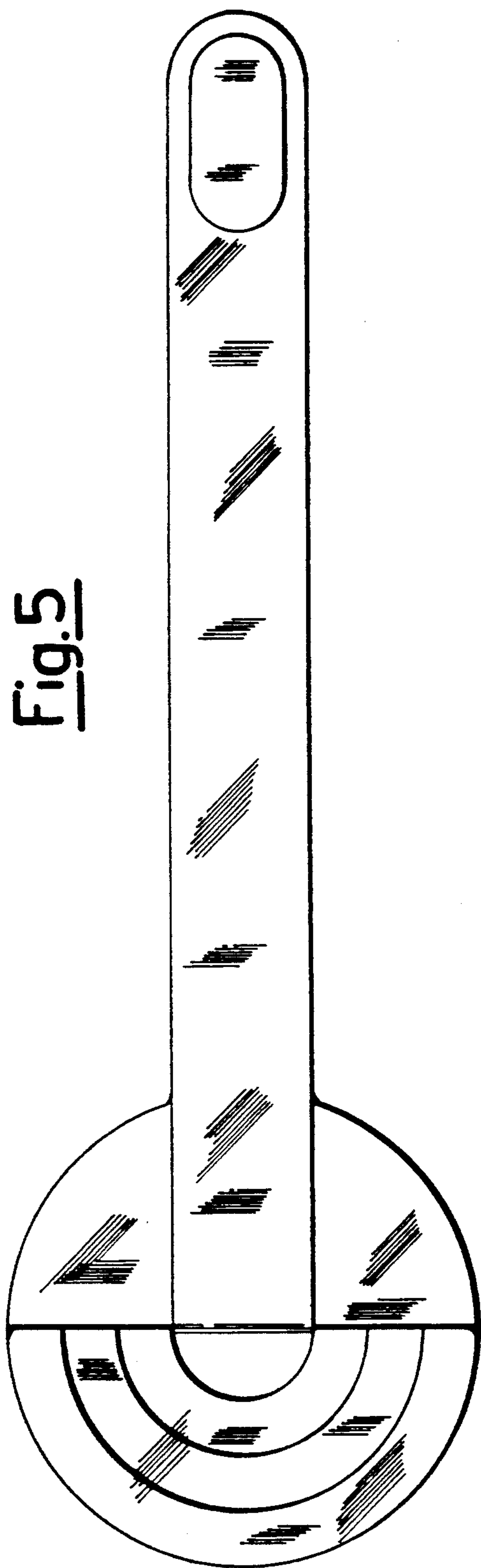


Fig. 6

