



US00D341996S

**United States Patent** [19]  
**Tanfoglio**

[11] **Patent Number: Des. 341,996**  
[45] **Date of Patent: \*\* Dec. 7, 1993**

[54] **SALAD TONGS**

[75] **Inventor: Dario Tanfoglio, Fornaci, Italy**

[73] **Assignee: Fratelli Guzzini S.p.A., Recanati, Italy**

[\*\*] **Term: 14 Years**

[21] **Appl. No.: 881,369**

[22] **Filed: May 8, 1992**

[30] **Foreign Application Priority Data**

Nov. 11, 1991 [IT] Italy ..... MI 91 0000793

[52] **U.S. Cl. .... D7/686**

[58] **Field of Search .... D7/683-687; 294/3, 8.5, 11, 16, 99.1, 99.2, 118, 119**

[56] **References Cited**

**U.S. PATENT DOCUMENTS**

D. 189,488 12/1960 Page ..... D7/686  
D. 314,889 2/1991 Bonomi ..... D7/687  
3,957,298 5/1976 Purchase ..... D7/686 X  
5,054,835 10/1991 Loechel et al. .... 294/3 X

*Primary Examiner*—Terry A. Wallace

*Attorney, Agent, or Firm*—Hedman, Gibson & Costigan

[57] **CLAIM**

The ornamental design for salad tongs, as shown and described.

**DESCRIPTION**

FIG. 1 is a top perspective view of the salad tongs showing my new design;

FIG. 2 is a top plan view thereof;

FIG. 3 is a bottom plan view thereof;

FIG. 4 is a front elevation view thereof;

FIG. 5 is a rear elevation view thereof;

FIG. 6 is a right side elevational view thereof; and,

FIG. 7 is a left side elevational view thereof;

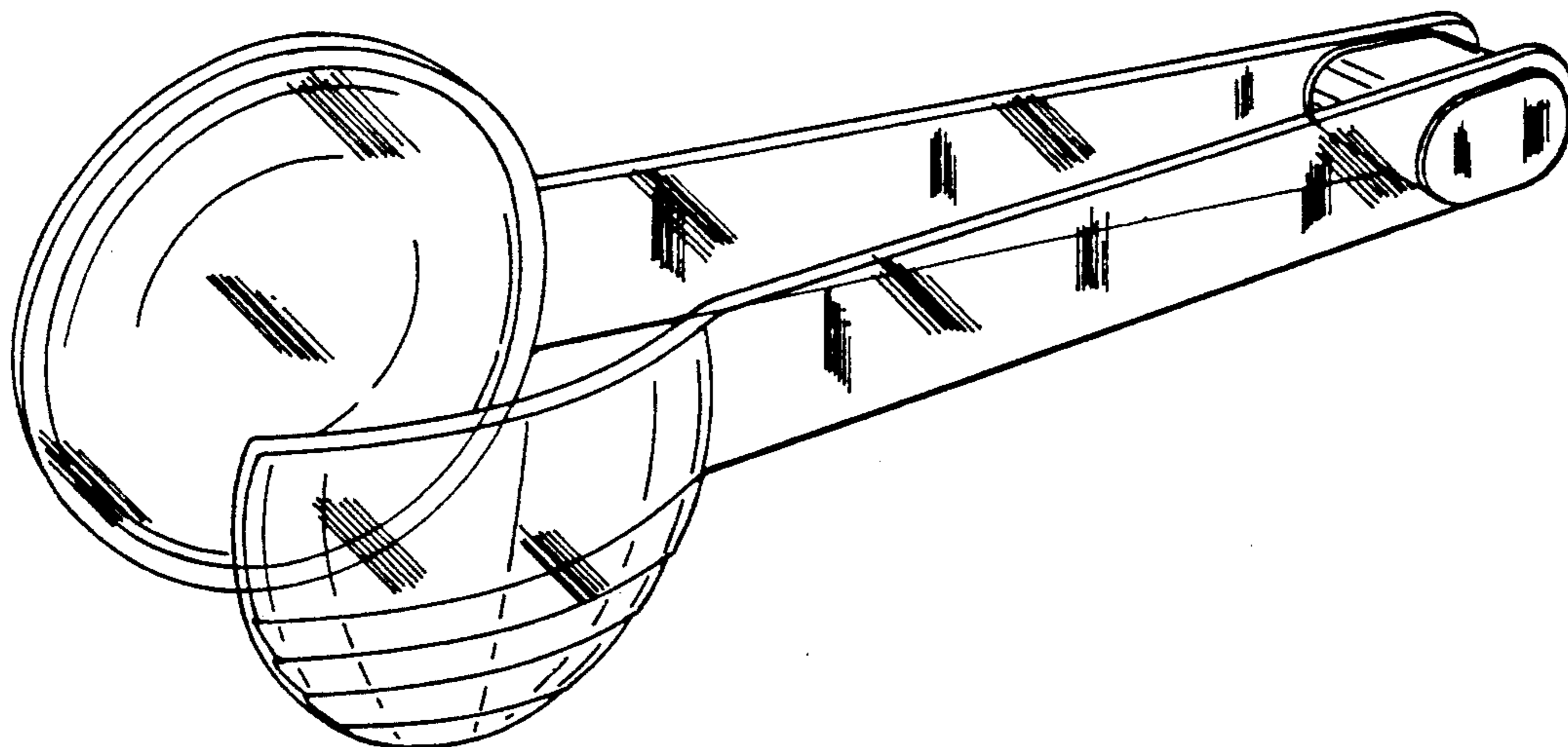


Fig.1

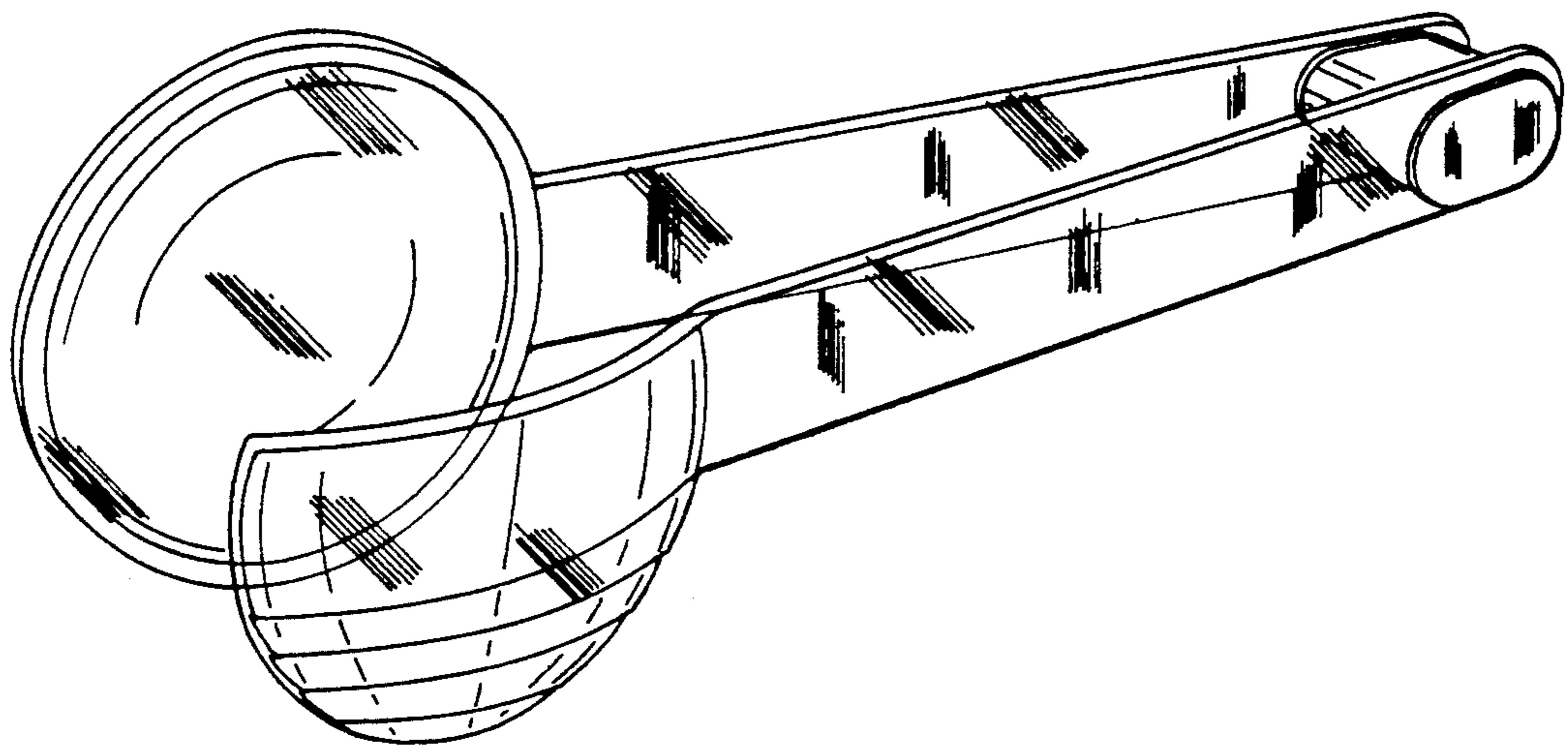


Fig. 2

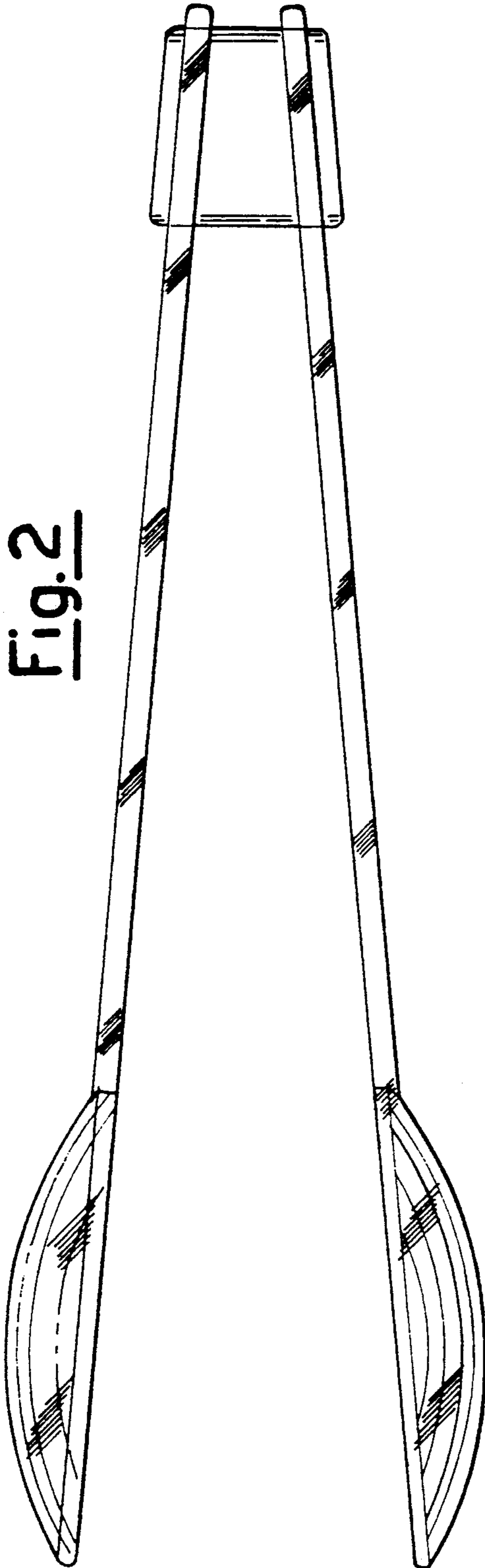


Fig. 3

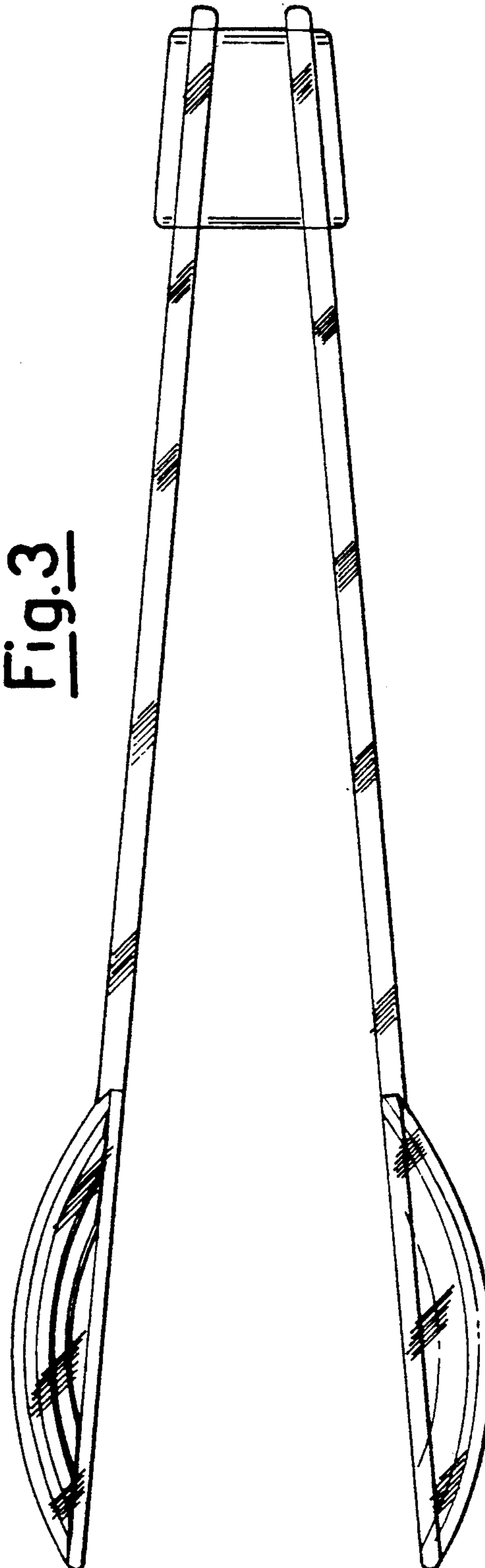


Fig.4

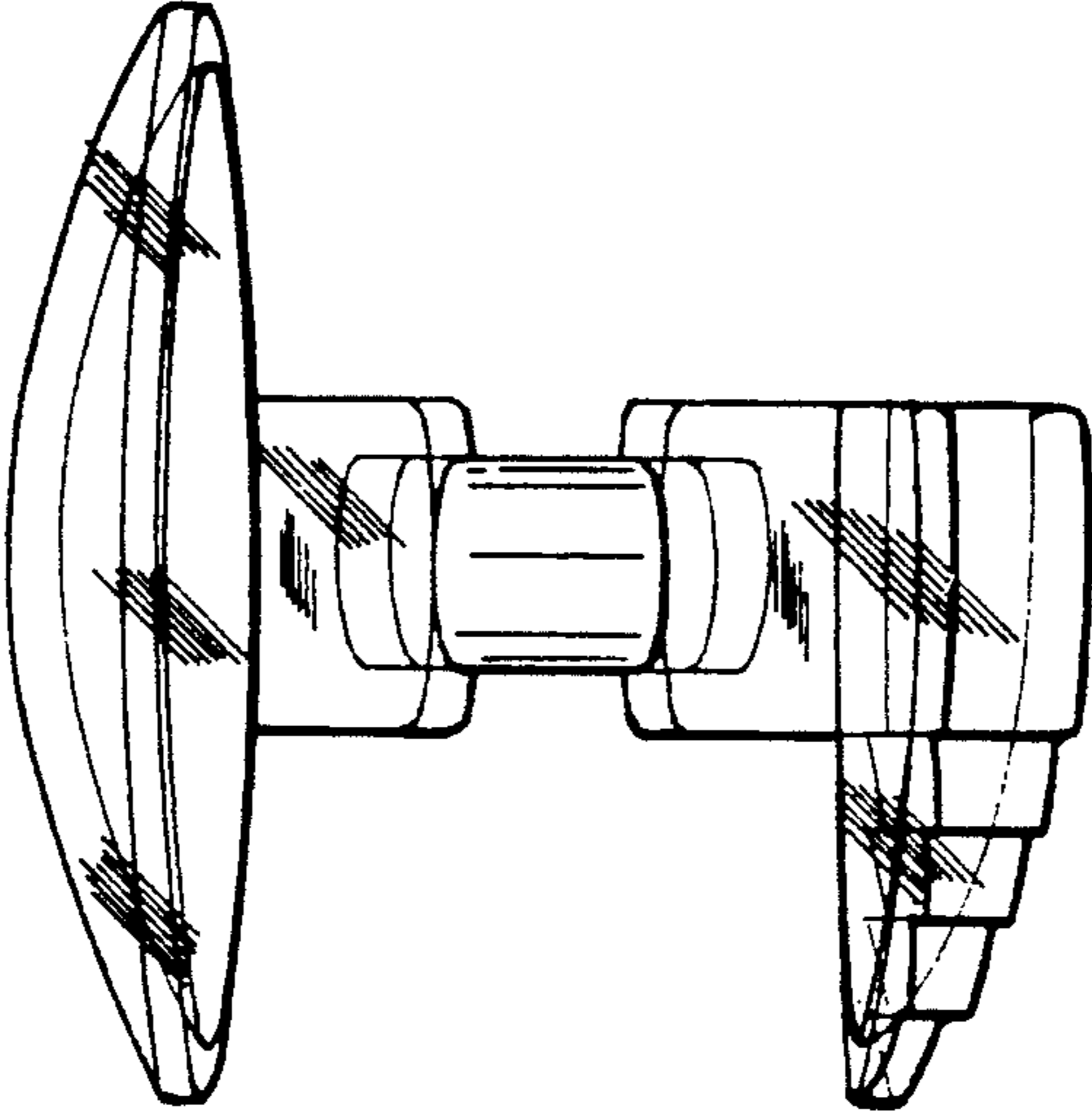


Fig.5

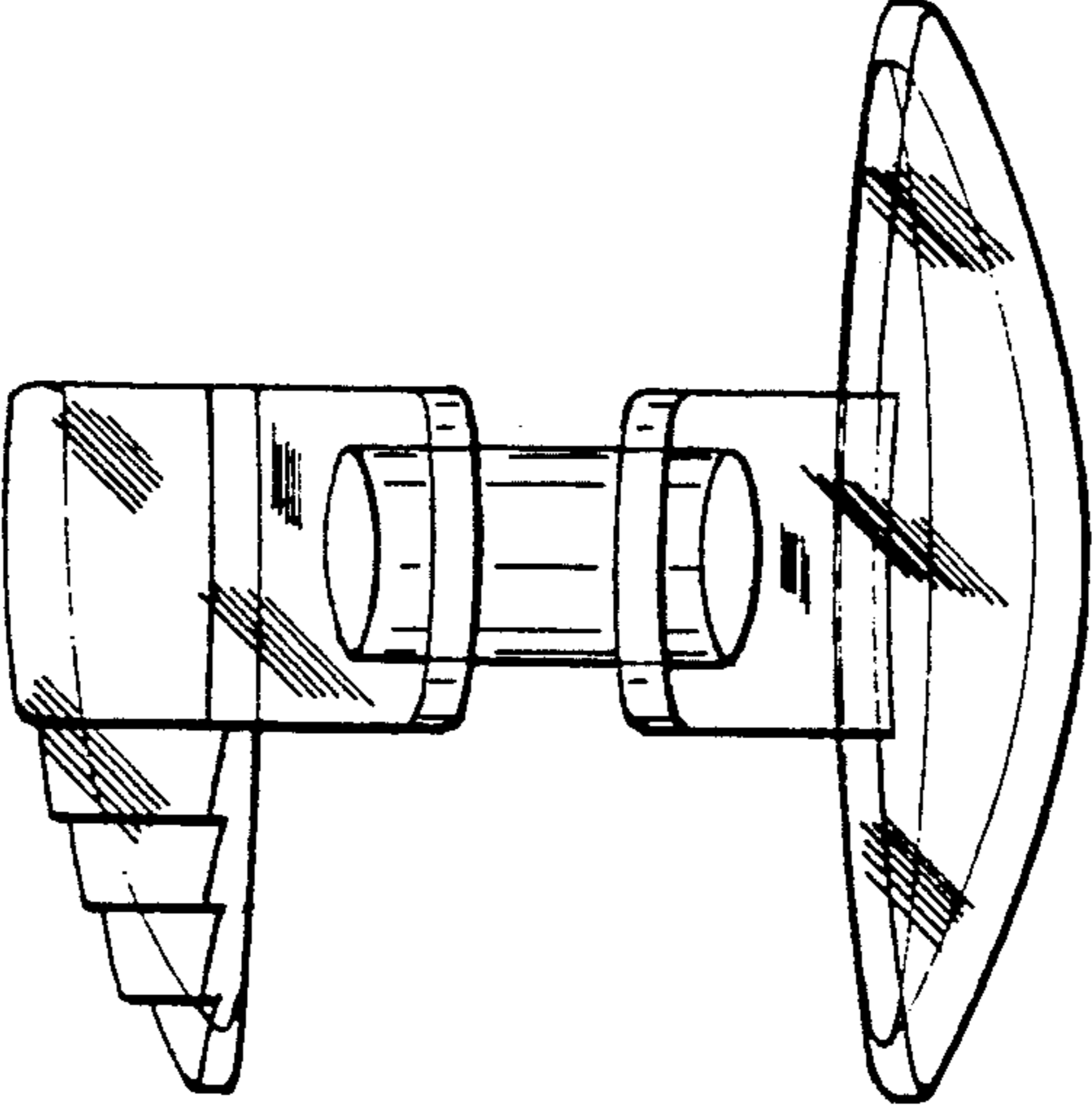


Fig. 6

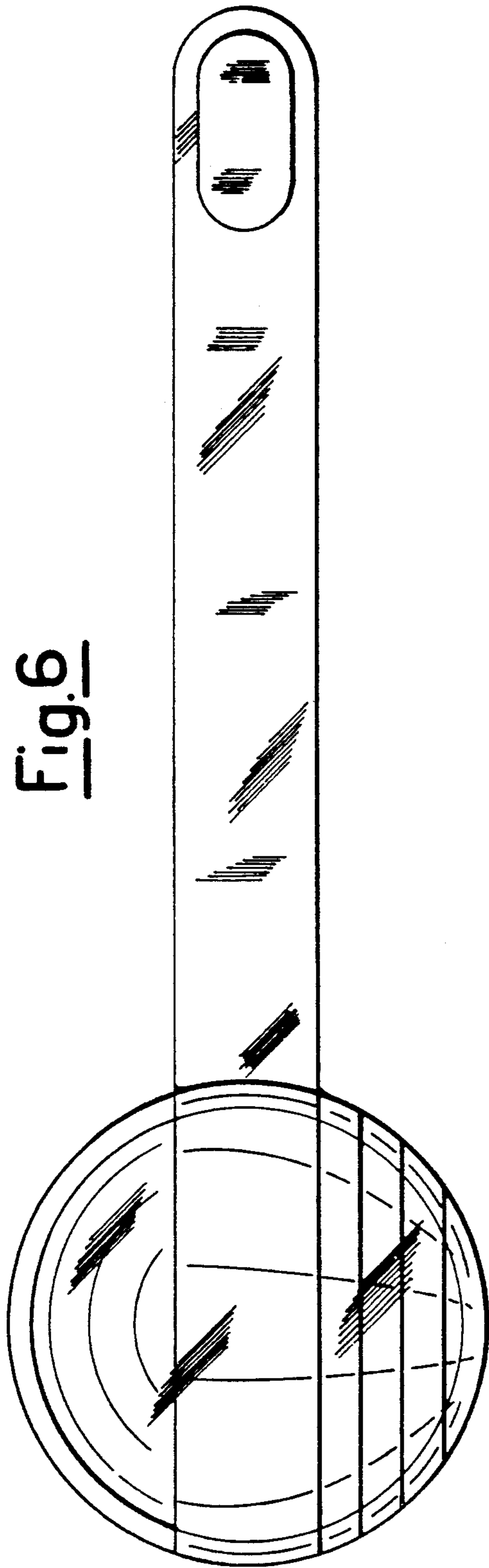


Fig. 7

