



US00D341993S

# United States Patent [19]

Kadlick, Sr.

[11] Patent Number: **Des. 341,993**

[45] Date of Patent: **\*\* Dec. 7, 1993**

[54] **COOKING CRADLE**

[76] Inventor: **Francis Kadlick, Sr., 72 Williams St., Jamaica Plains, Mass. 02130**

[\*\*] Term: **14 Years**

[21] Appl. No.: **543,072**

[22] Filed: **Jun. 25, 1990**

[52] U.S. Cl. .... **D7/409; D7/323**

[58] Field of Search ..... **D7/409; D8/1; D34/28; 99/422, 425, 426; 294/26.5, 74, 77, 137, 151, 152, 154, 157, 172**

4,741,262 5/1988 Moncrief .  
4,848,217 7/1989 Kozoil .

### FOREIGN PATENT DOCUMENTS

106806 1/1961 Norway ..... 294/74

*Primary Examiner*—Alan P. Douglas  
*Assistant Examiner*—Caron D. Veynar  
*Attorney, Agent, or Firm*—Terry M. Gernstein

### [57] CLAIM

The ornamental design for a cooking cradle, as shown and described.

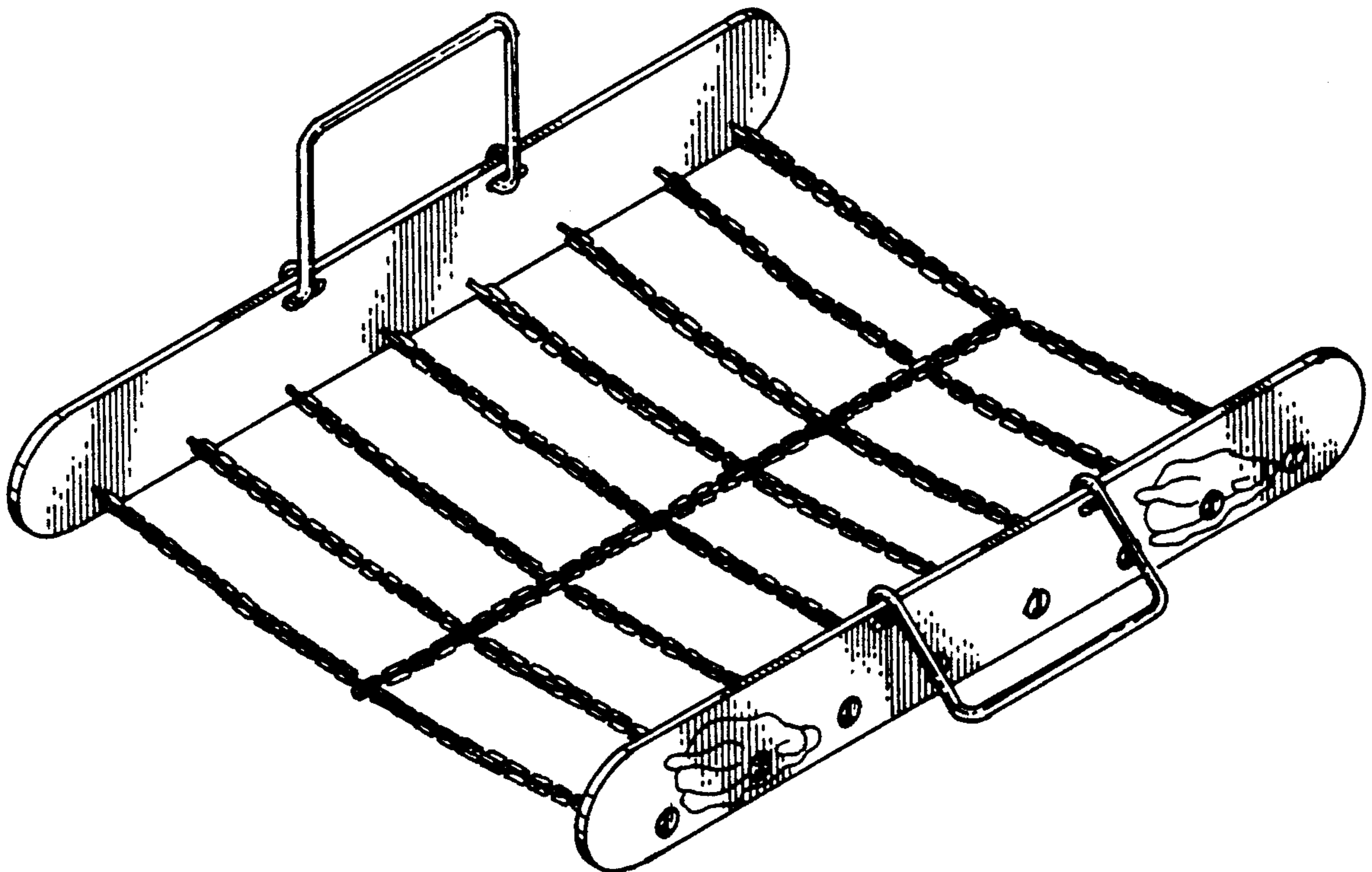
### [56] References Cited

#### U.S. PATENT DOCUMENTS

1,118,519	11/1914	Weaver	294/77 X
2,297,332	9/1942	Stewart	99/426
2,598,921	6/1952	Knudsen	294/74
2,703,046	3/1955	Ahlquist	294/152 X
2,973,218	2/1961	Schaum	294/151 X
4,200,040	4/1980	MacRae	.
4,673,015	6/1987	Andreasson	294/77 X

### DESCRIPTION

FIG. 1 is a perspective view of a cooking cradle showing my new design;  
FIG. 2 is a right side elevational view thereof;  
FIG. 3 is a left side elevational view thereof;  
FIG. 4 is a front elevational view thereof;  
FIG. 5 is a rear elevational view thereof;  
FIG. 6 is a top plan view thereof; and,  
FIG. 7 is a bottom plan view thereof.



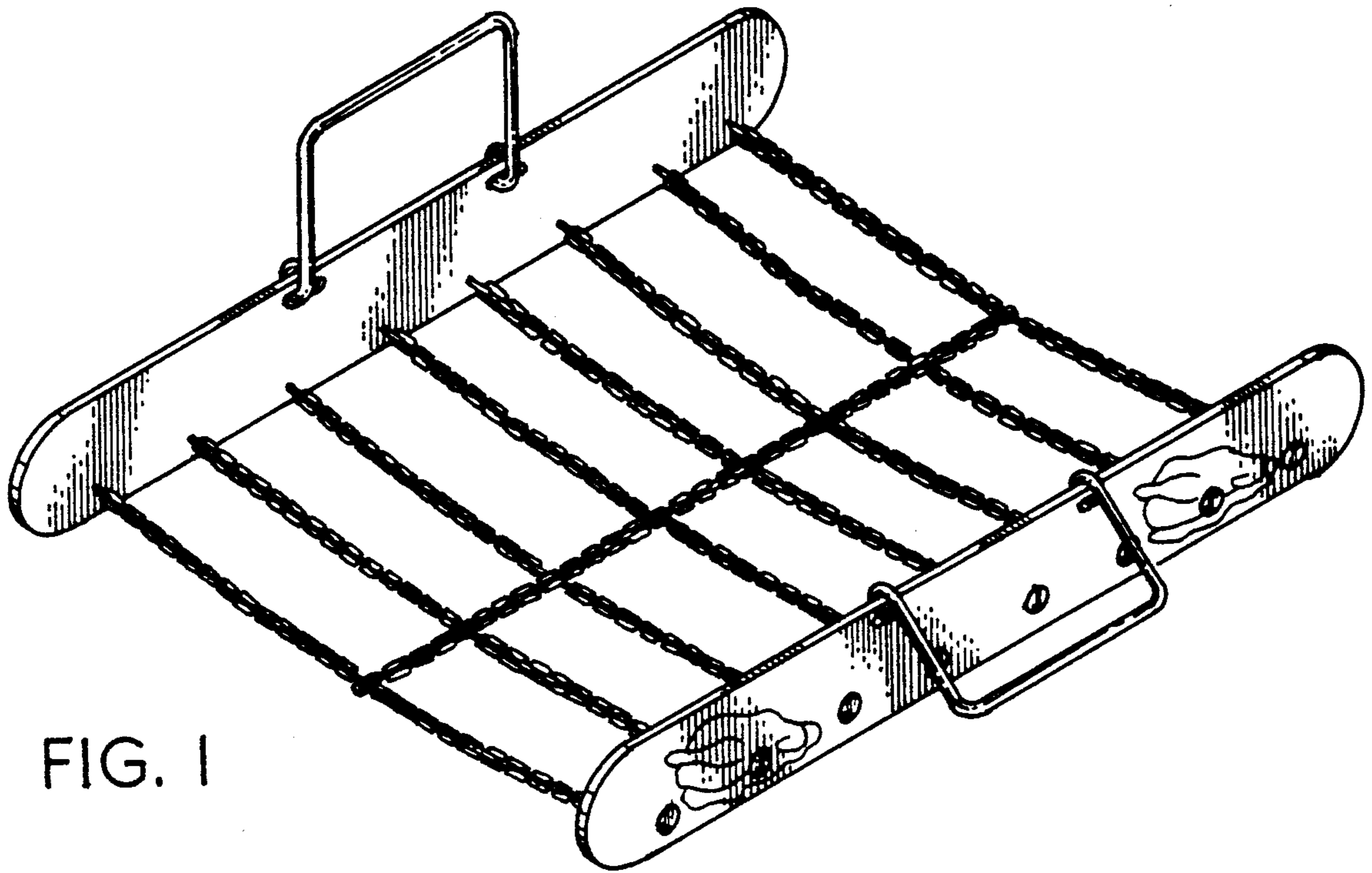


FIG. 2



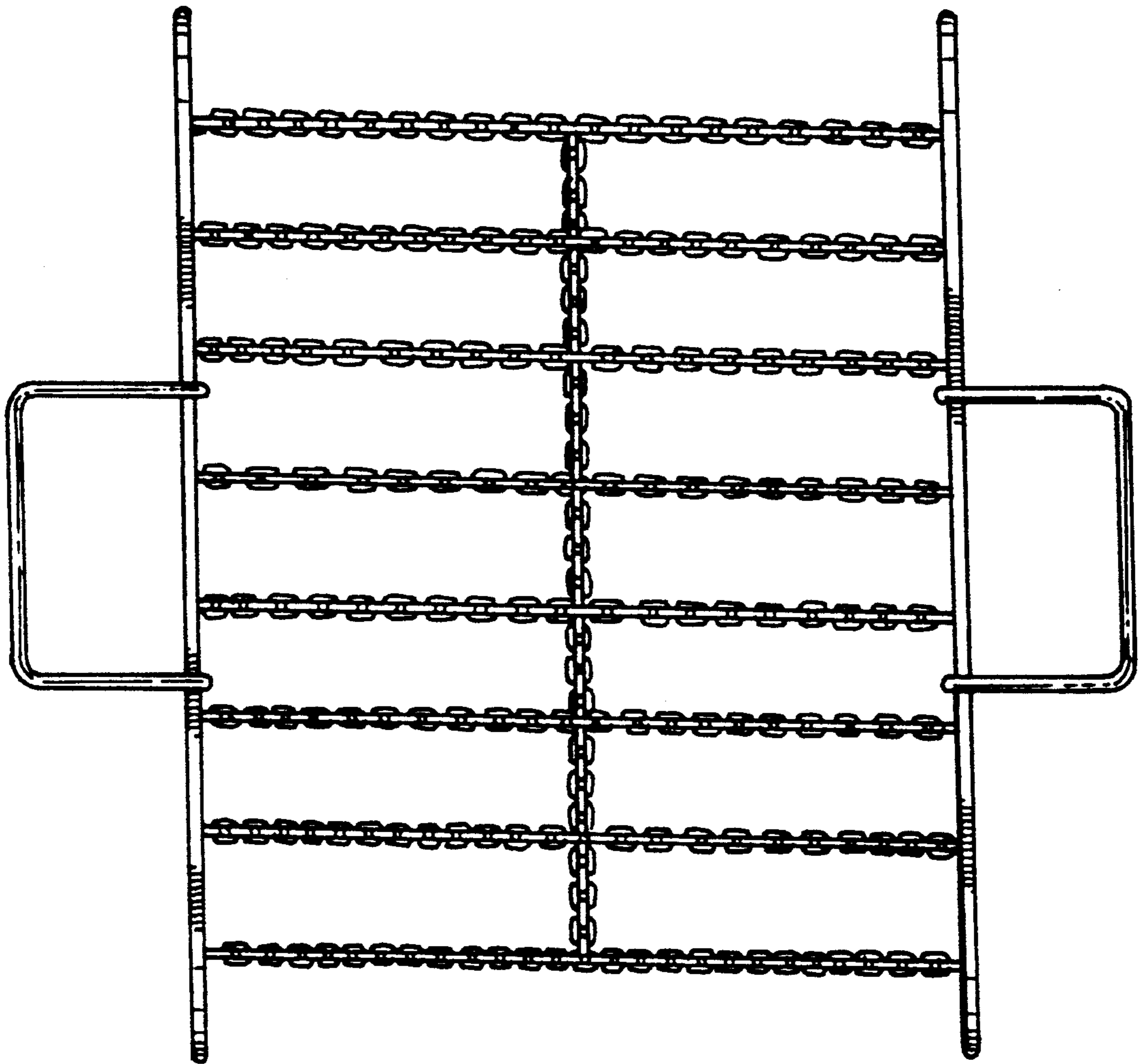


FIG. 6

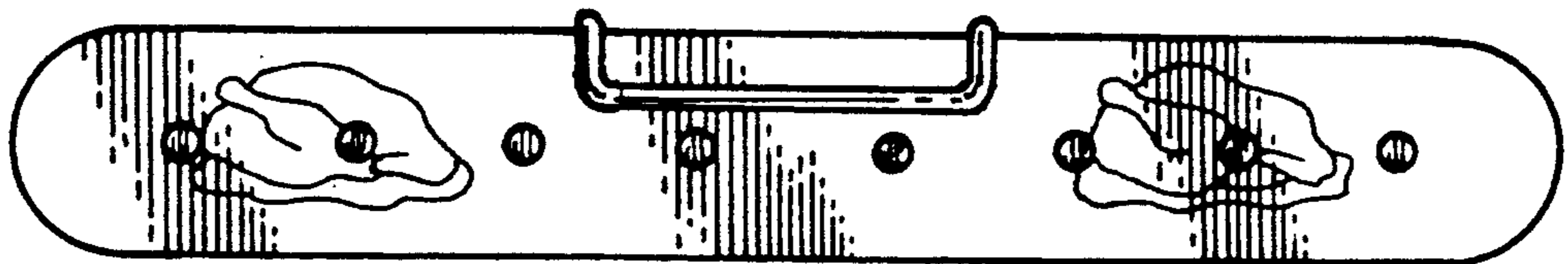


FIG. 3

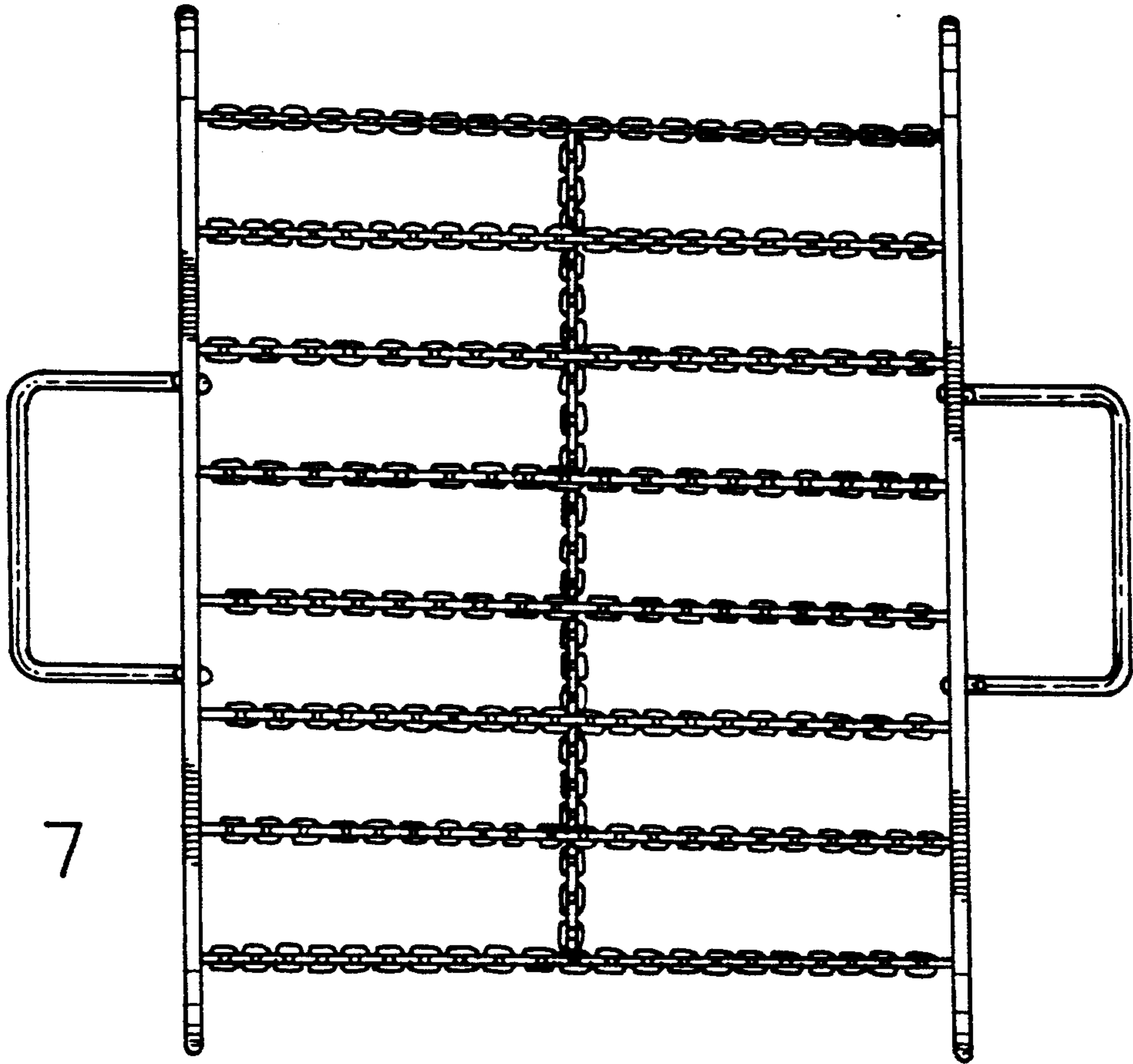


FIG. 7

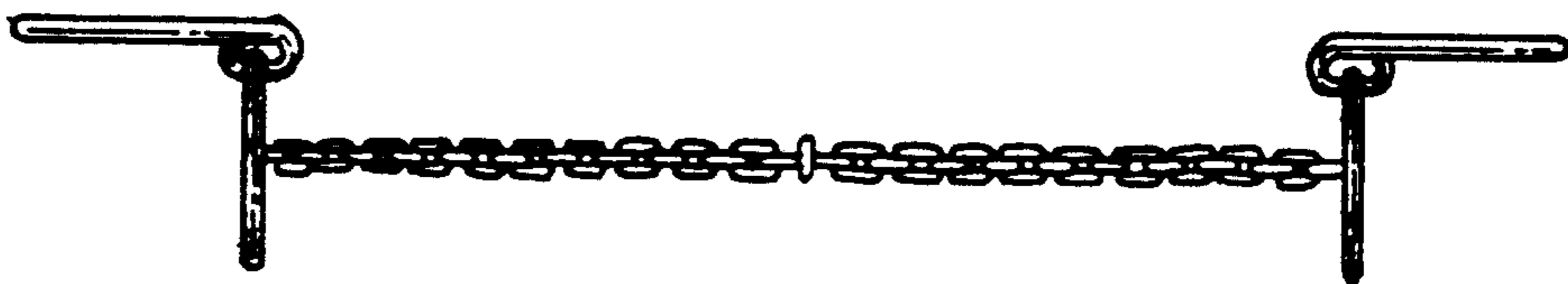


FIG. 4

FIG. 5

