



US00D341992S

United States Patent [19]

[11] Patent Number: **Des. 341,992**

Gasser

[45] Date of Patent: **** Dec. 7, 1993**

[54] **COFFEE FILTER DEVICE**

5,064,533 11/1991 Anson 99/295 X

[75] Inventor: **Ruedi Gasser, Buerglan/Obwalden, Switzerland**

Primary Examiner—Alan P. Douglas

Assistant Examiner—M. N. Pandozzi

[73] Assignee: **Maxs AG, Switzerland**

Attorney, Agent, or Firm—Venable, Baetjer, Howard & Civiletti

[**] Term: **14 Years**

[57] CLAIM

[21] Appl. No.: **827,204**

The ornamental design for a coffee filter device, as shown.

[22] Filed: **Jan. 30, 1992**

[52] U.S. Cl. **D7/400**

DESCRIPTION

[58] Field of Search **D7/300, 305, 306, 309, D7/310, 311, 400, 399; 99/279, 295, 300; 210/477, 482, 481**

FIG. 1 is a side elevational view of a coffee filter device showing my new design;

FIG. 2 is a front elevational view thereof;

FIG. 3 is a rear elevational view thereof;

FIG. 4 is a top plan view thereof;

FIG. 5 is a bottom plan view thereof;

FIG. 6 is a front elevational view of a coffee filter device showing a second embodiment of my new design;

FIG. 7 is a top plan view thereof;

FIG. 8 is a bottom plan view thereof;

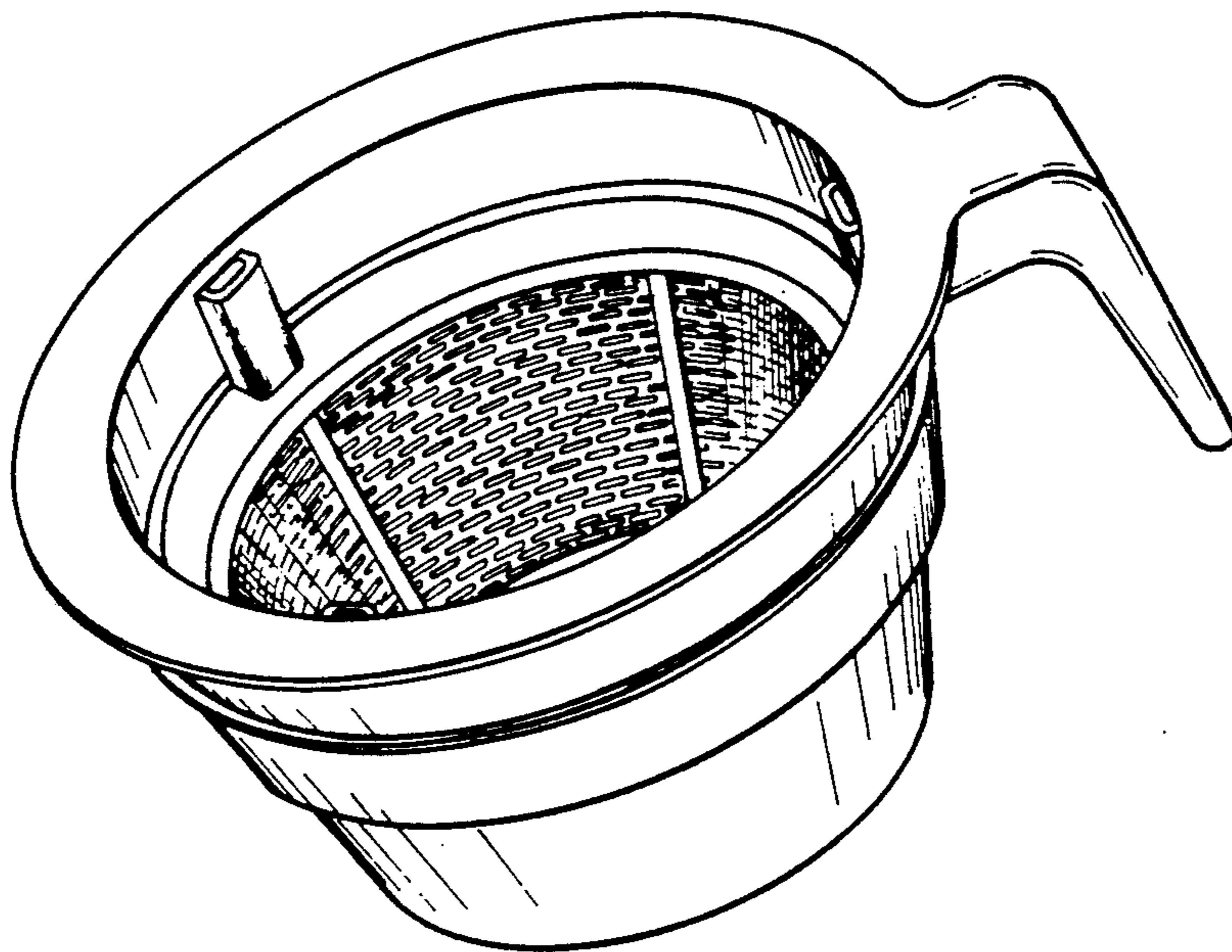
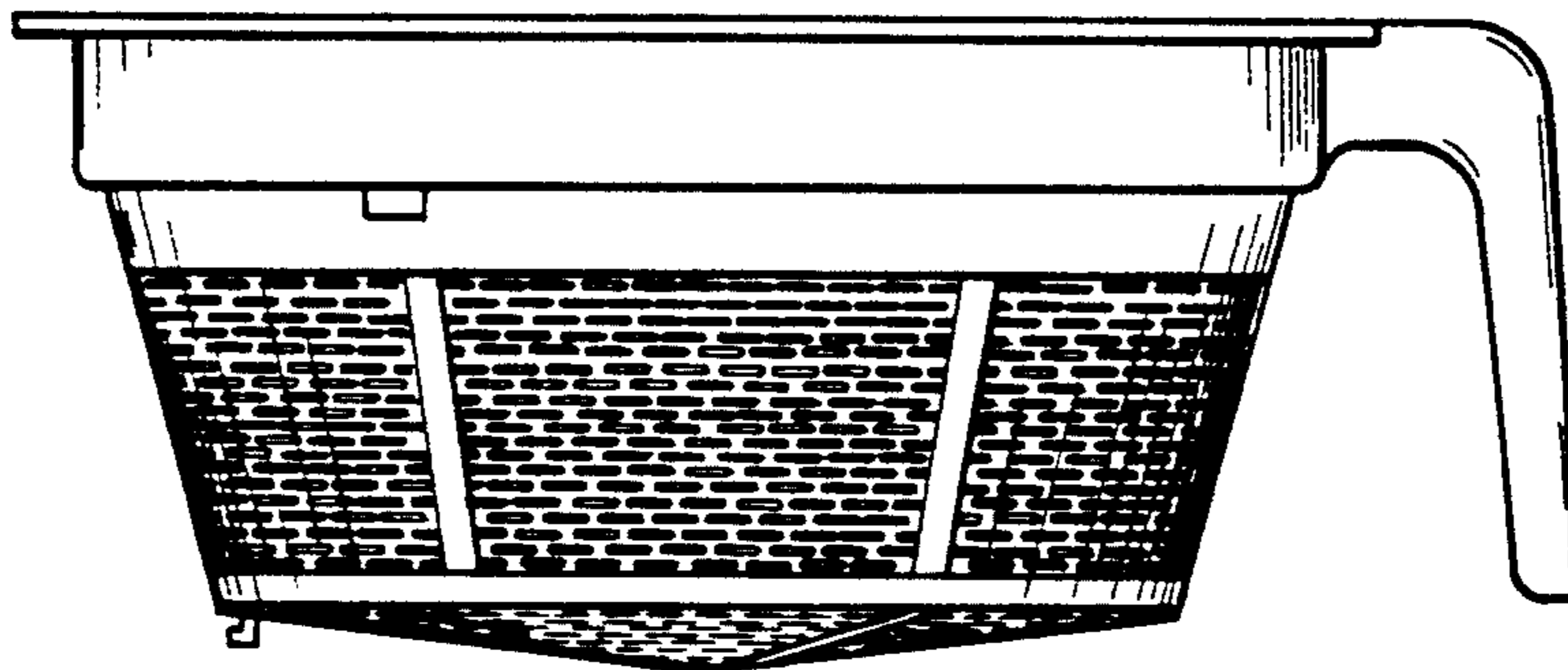
FIG. 9 is a side elevational view thereof; and,

FIG. 10 is a top perspective view thereof.

[56] References Cited

U.S. PATENT DOCUMENTS

D. 289,726	5/1987	Greutert	D7/400
3,425,337	2/1969	Vittoa	99/300 X
3,490,356	1/1970	Peterson et al.	99/300
4,550,024	10/1985	le Granse	99/295
4,579,048	4/1986	Stover	D7/309 X
4,603,620	10/1986	Daugherty	D7/309 X
4,739,697	4/1988	Roberts	D7/400 X



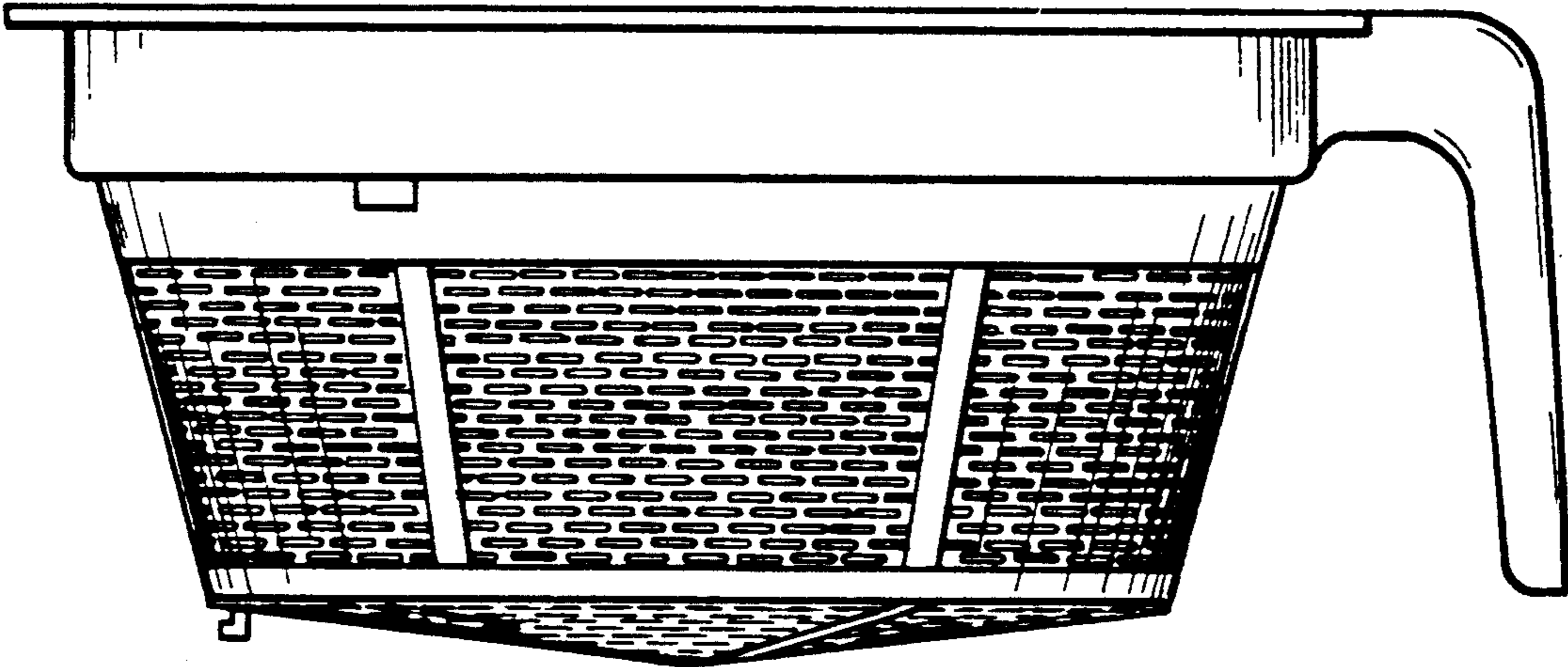


FIG.1

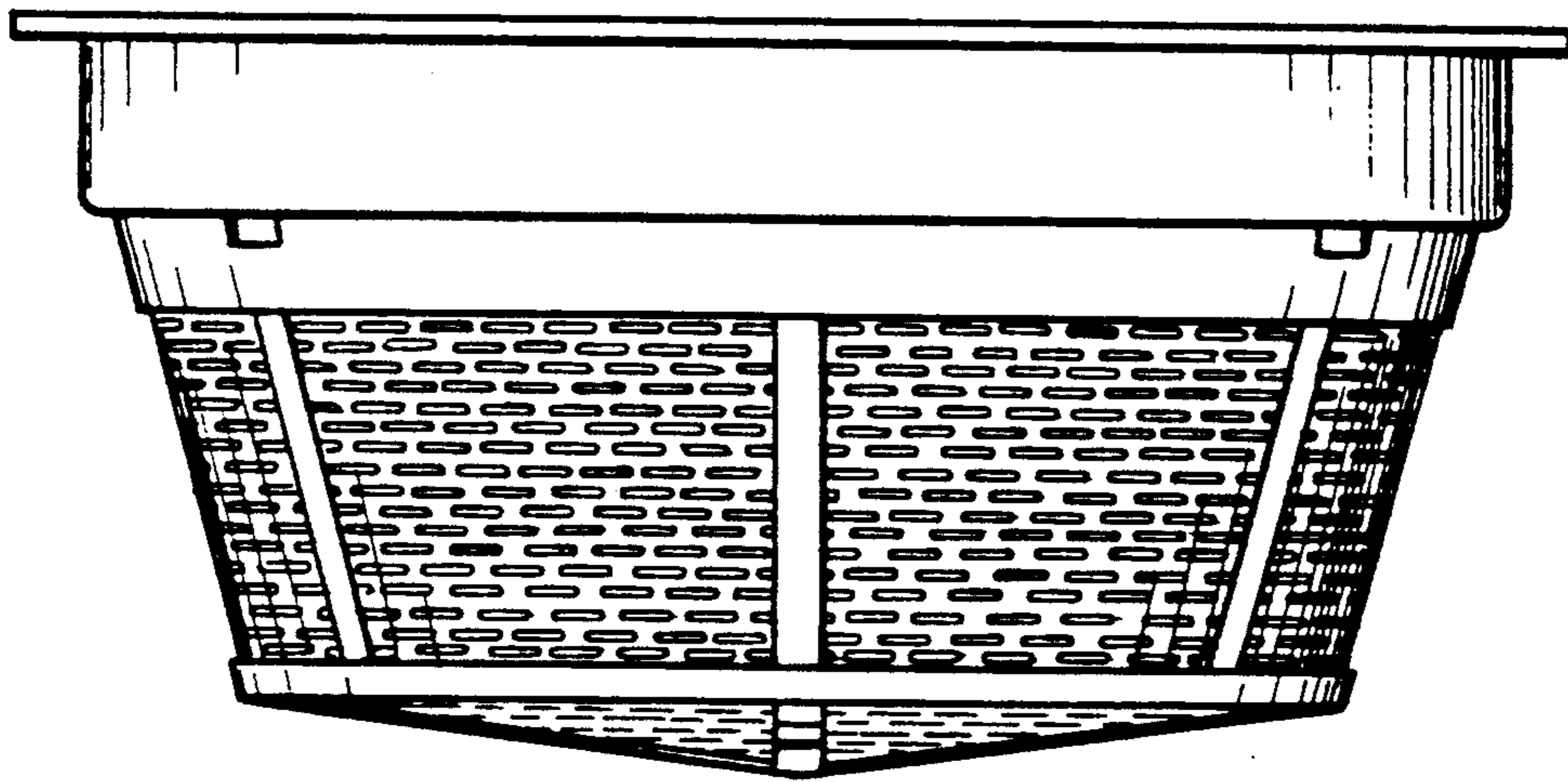


FIG. 2

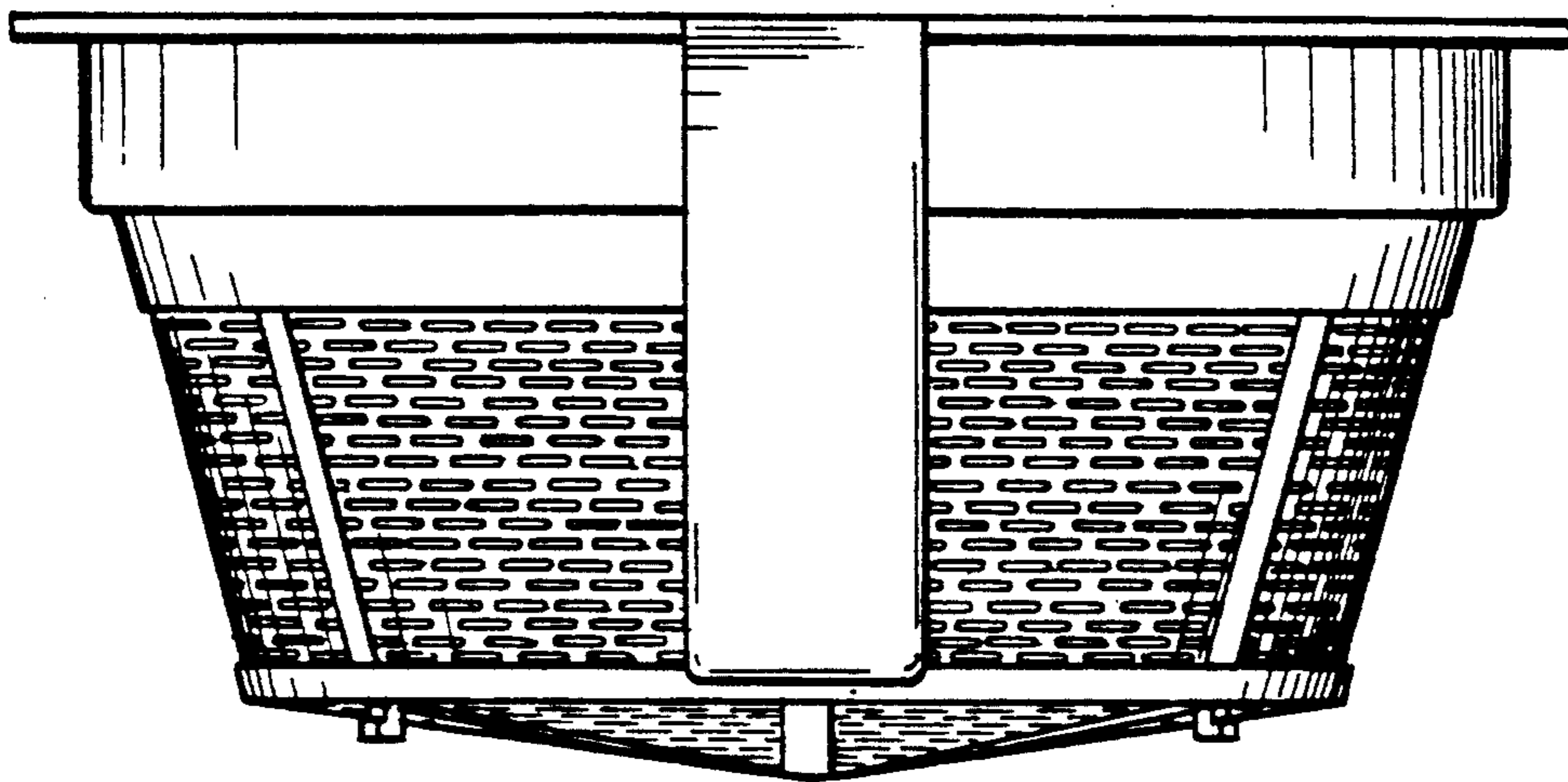


FIG.3

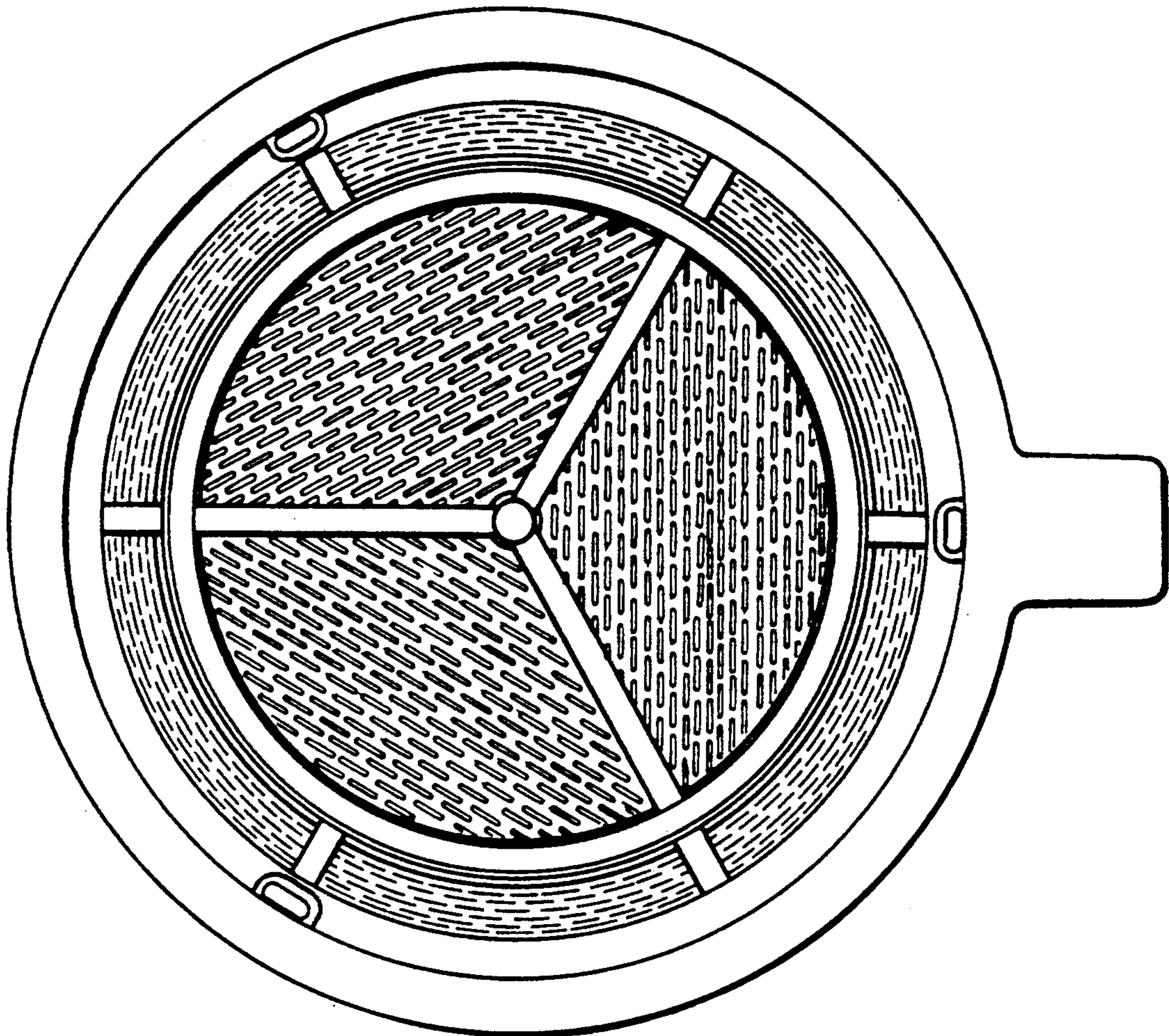


FIG. 4

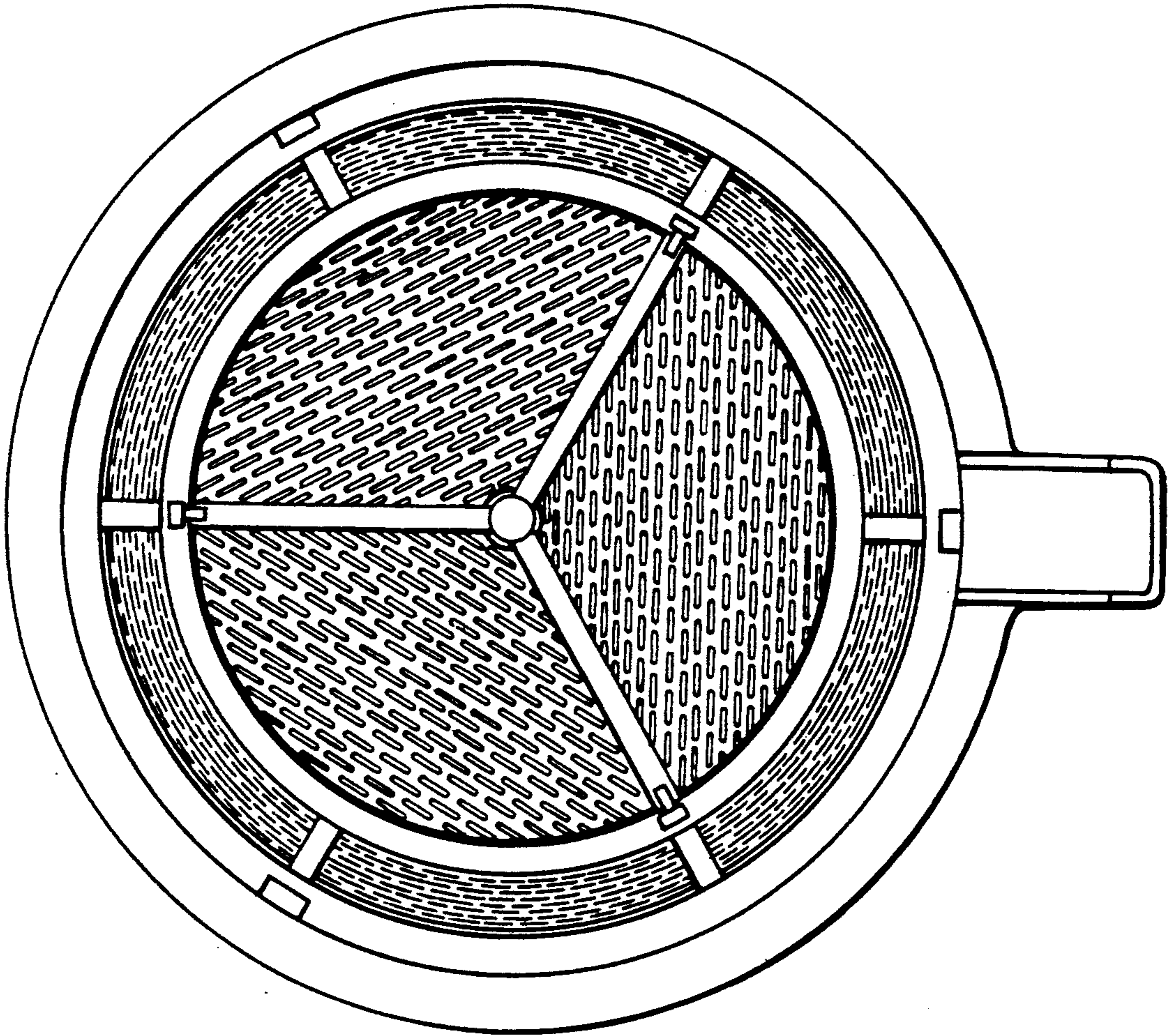


FIG. 5

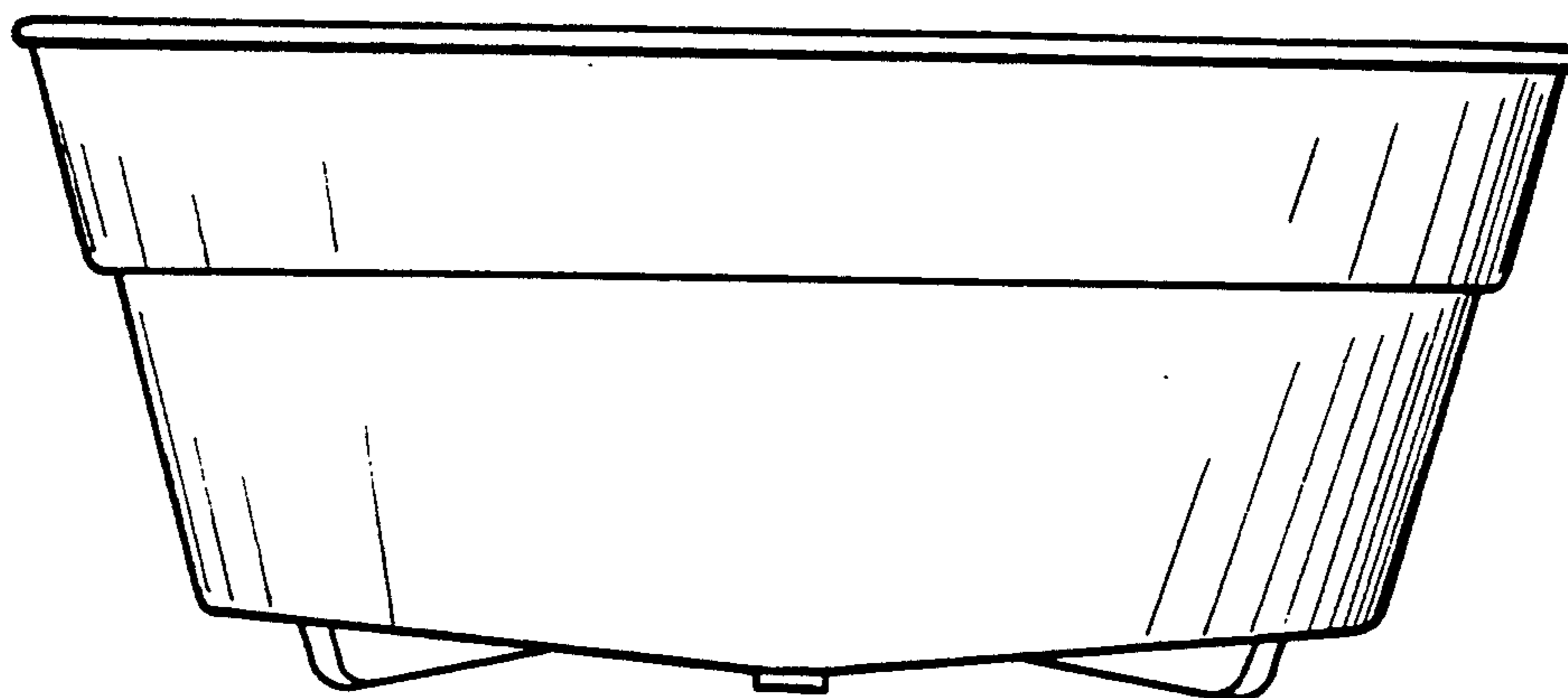


FIG. 6

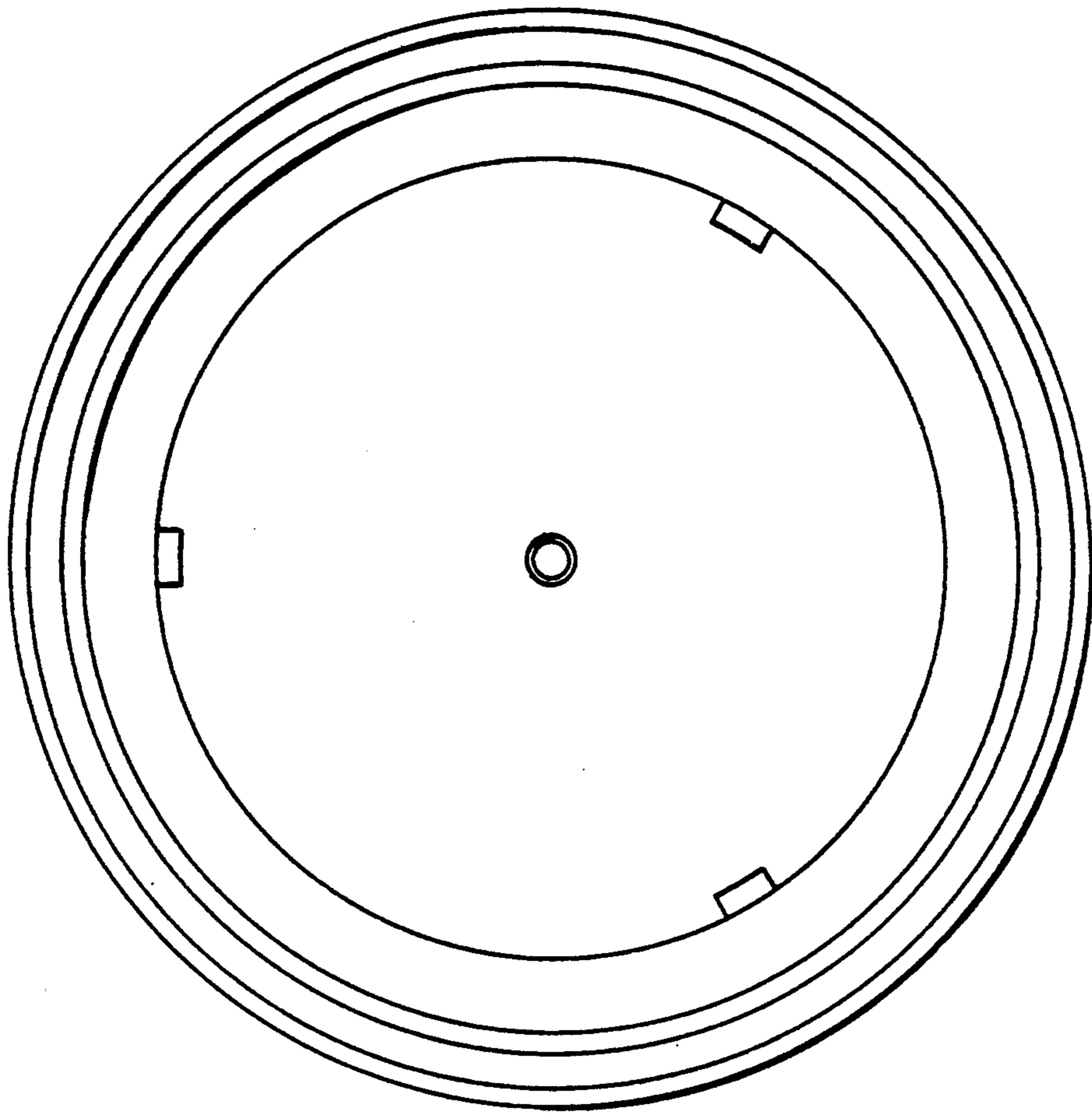


FIG. 7

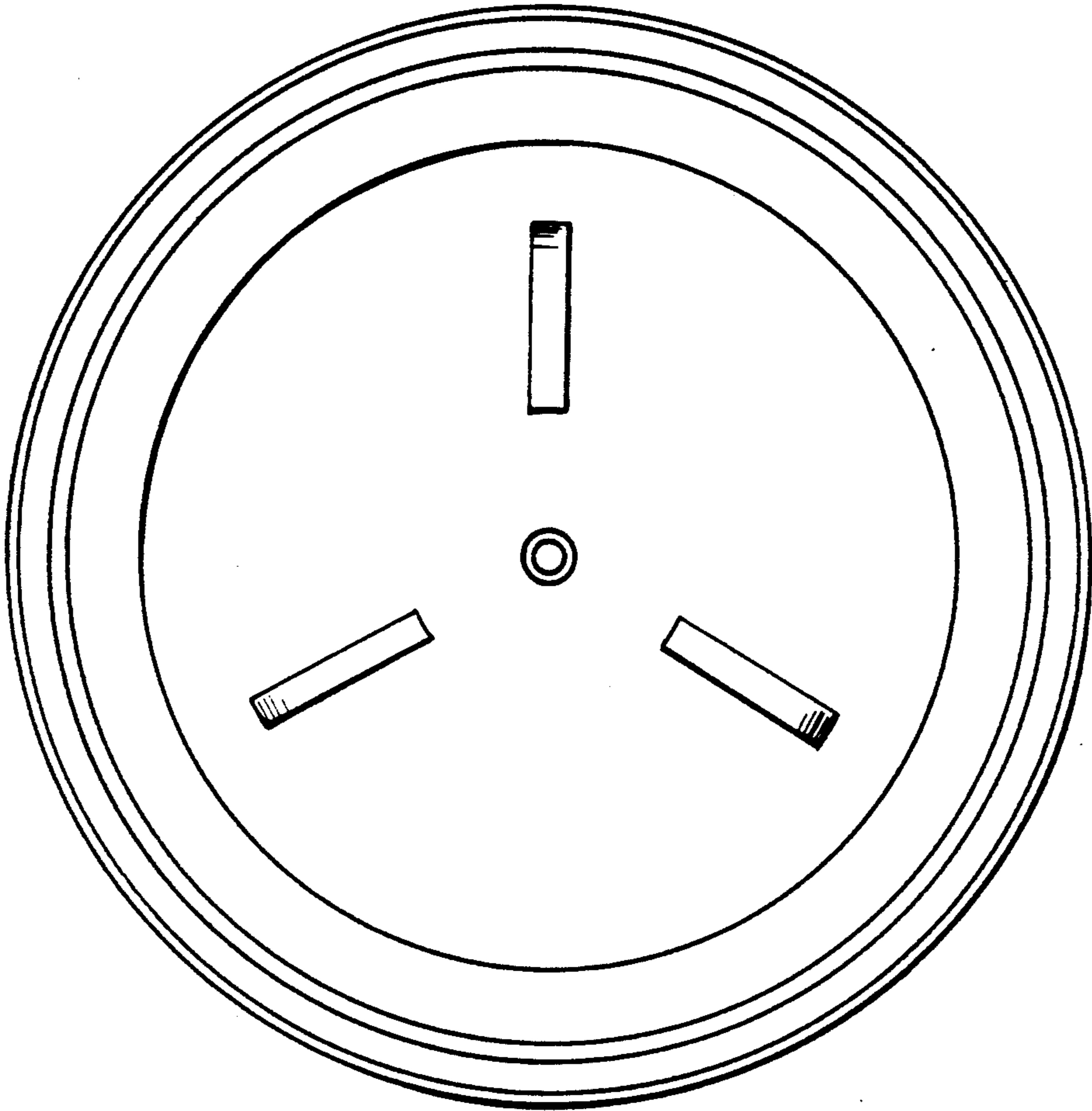


FIG. 8

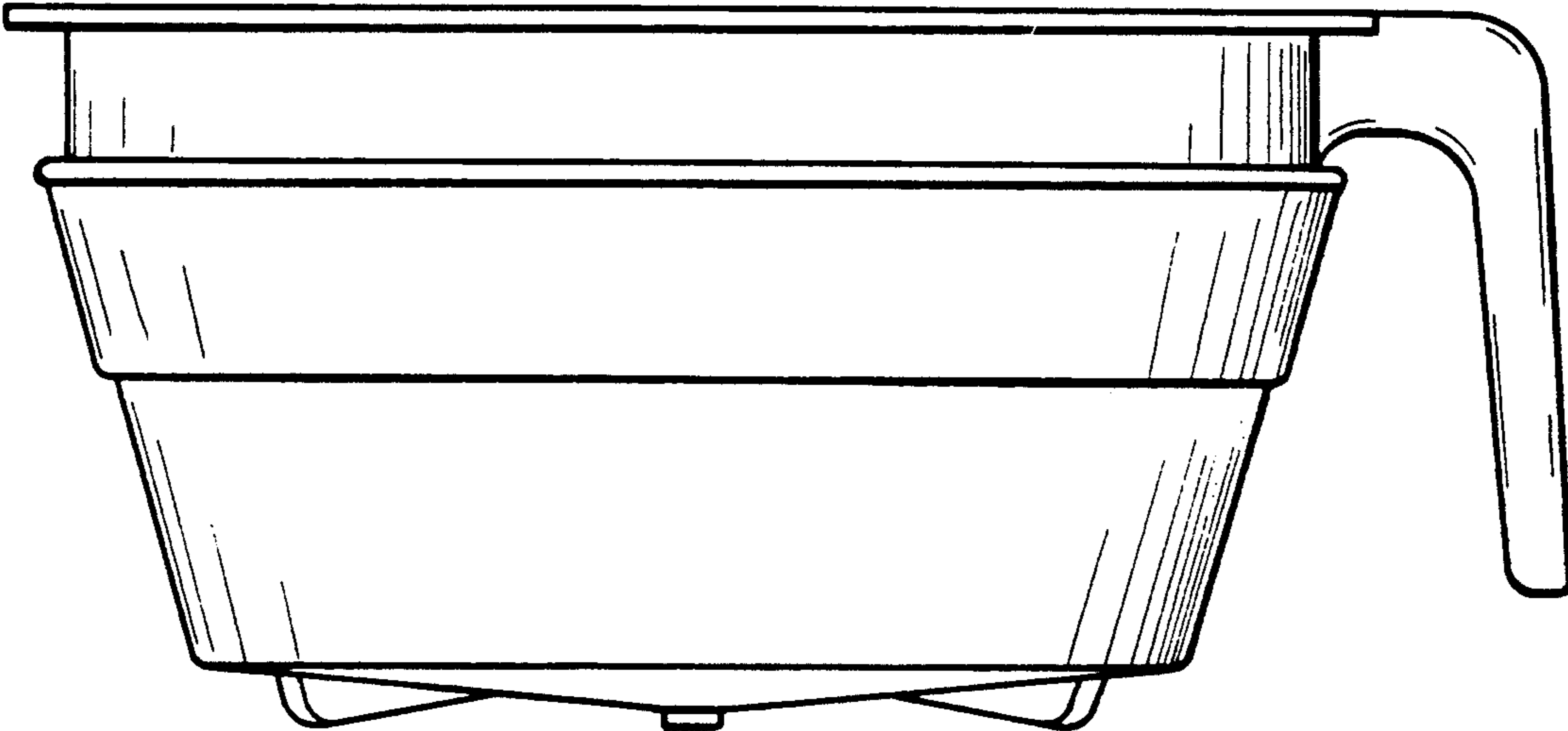


FIG.9

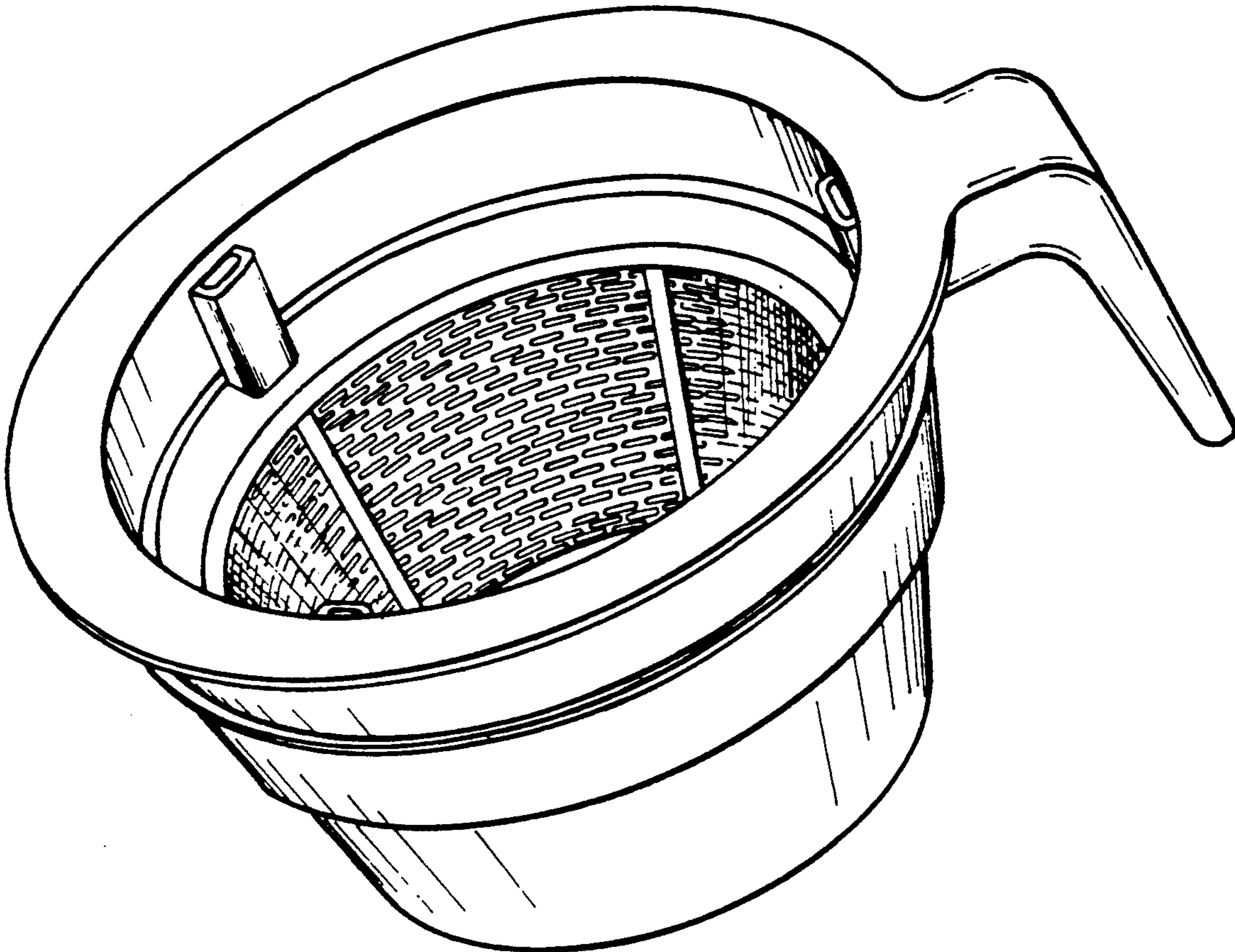


FIG. 10