



US00D341990S

# United States Patent [19] Yim

[11] Patent Number: **Des. 341,990**

[45] Date of Patent: **\*\* Dec. 7, 1993**

[54] **STEAMER BASKET FOR FOOD STEAMER**

[75] Inventor: **Yung S. Yim, Shatin, Hong Kong**

[73] Assignee: **Chiaphua Industries Limited, Shatin, Hong Kong**

[\*\*] Term: **14 Years**

[21] Appl. No.: **906,134**

[22] Filed: **Jun. 29, 1992**

[52] U.S. Cl. .... **D7/354; D7/360; D7/409**

[58] Field of Search ..... **D7/323, 354, 360, 409, D7/402; 99/393, 402, 422, 425, 426, 445; 220/912**

[56] **References Cited**

**U.S. PATENT DOCUMENTS**

2,767	8/1842	Riley .....	99/445
31,482	2/1861	Shavor et al. ....	99/445
D. 113,632	3/1939	Howlett .....	D7/360
D. 236,182	8/1975	Kiernan et al. ....	D7/360
D. 254,355	3/1980	Ottier .....	D7/360 X
607,759	7/1898	Mathy .	
907,154	12/1908	Lewis .....	D7/356 X

1,608,395	11/1926	Hensel et al. .	
2,131,663	9/1938	Hughes .....	D7/360 X
4,509,412	4/1985	Whittenburg et al. ....	99/331

**OTHER PUBLICATIONS**

Supplement to HFD; Nov. 6, 1978; page unknown, Cookware by aprica.

*Primary Examiner*—Alan P. Douglas

*Assistant Examiner*—Caron D. Veynar

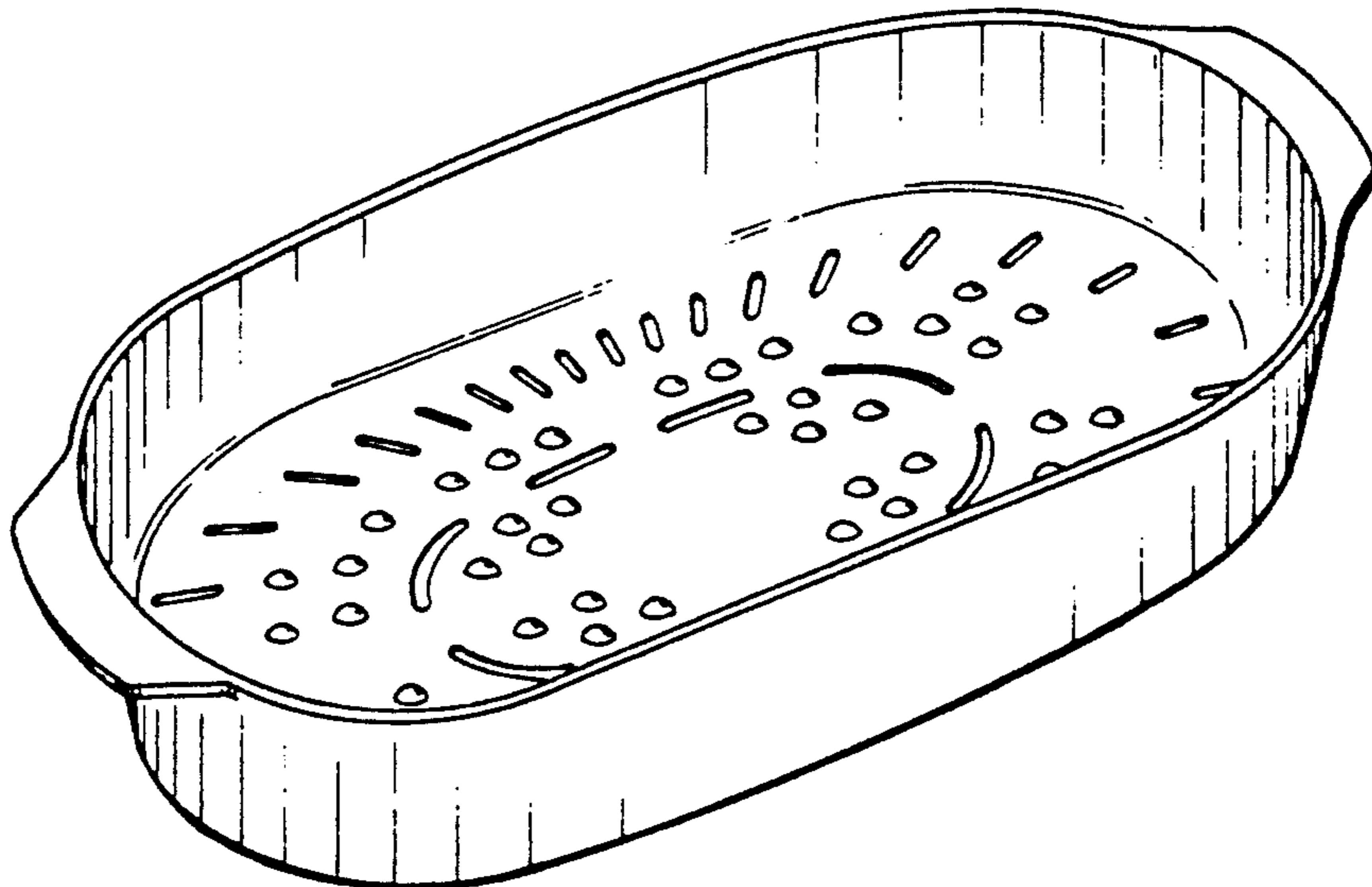
*Attorney, Agent, or Firm*—Kerkam, Stowell, Kondracki & Clarke

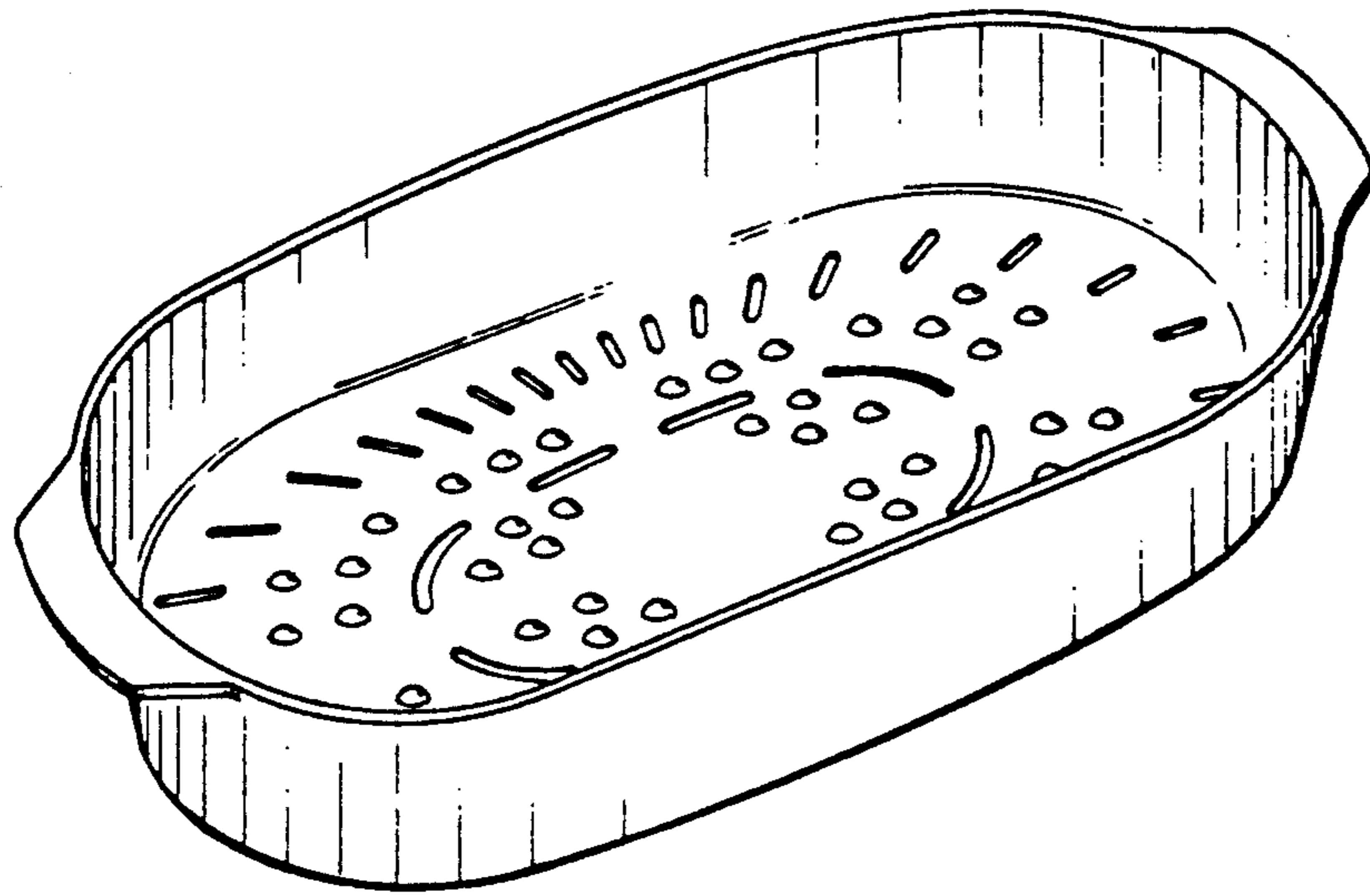
[57] **CLAIM**

The ornamental design for steamer basket for food steamer, as shown and described.

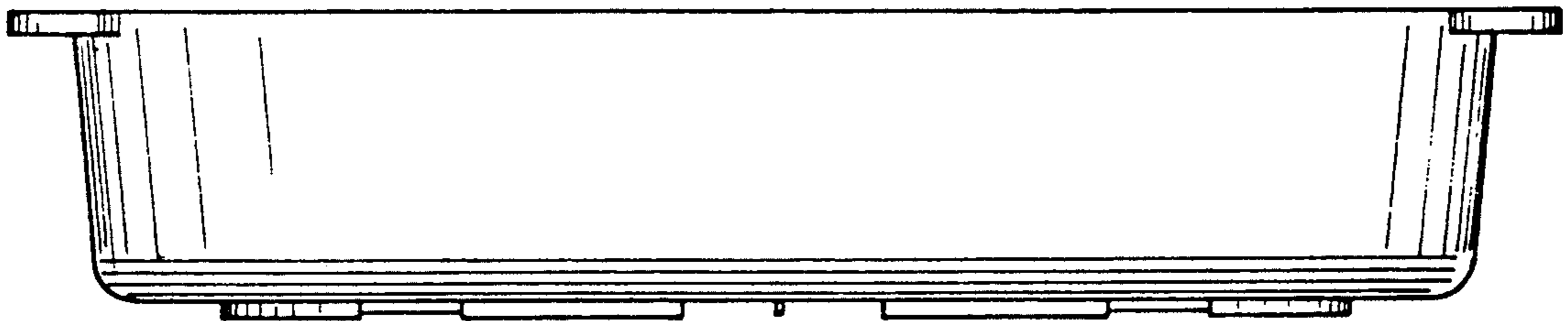
**DESCRIPTION**

FIG. 1 is a perspective view from above of a steaming basket for food steamer showing my new design; FIG. 2 is a side elevation view thereof, the opposite side elevation view being the same; FIG. 3 is an end elevation view thereof, the opposite end elevation view being the same; FIG. 4 is a top plan view thereof; and, FIG. 5 is a bottom plan view thereof.

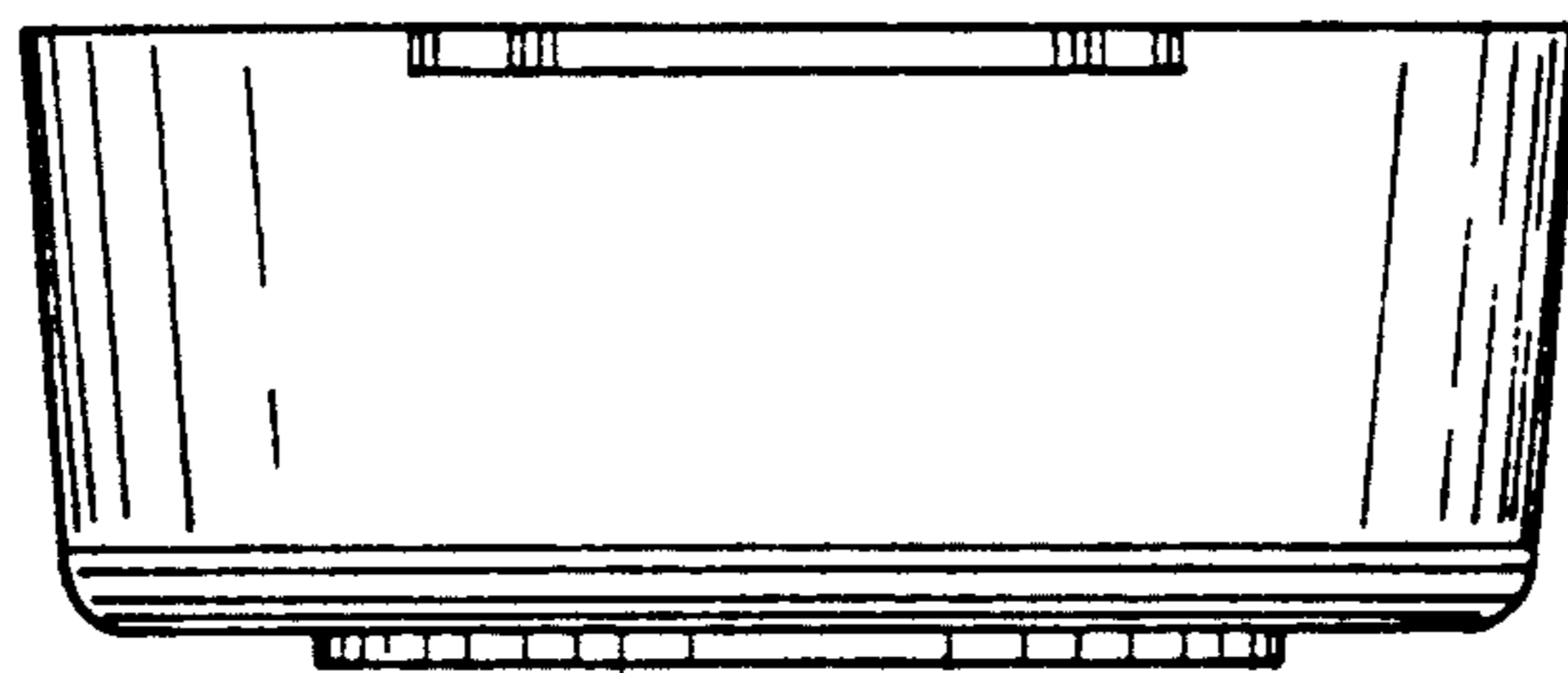




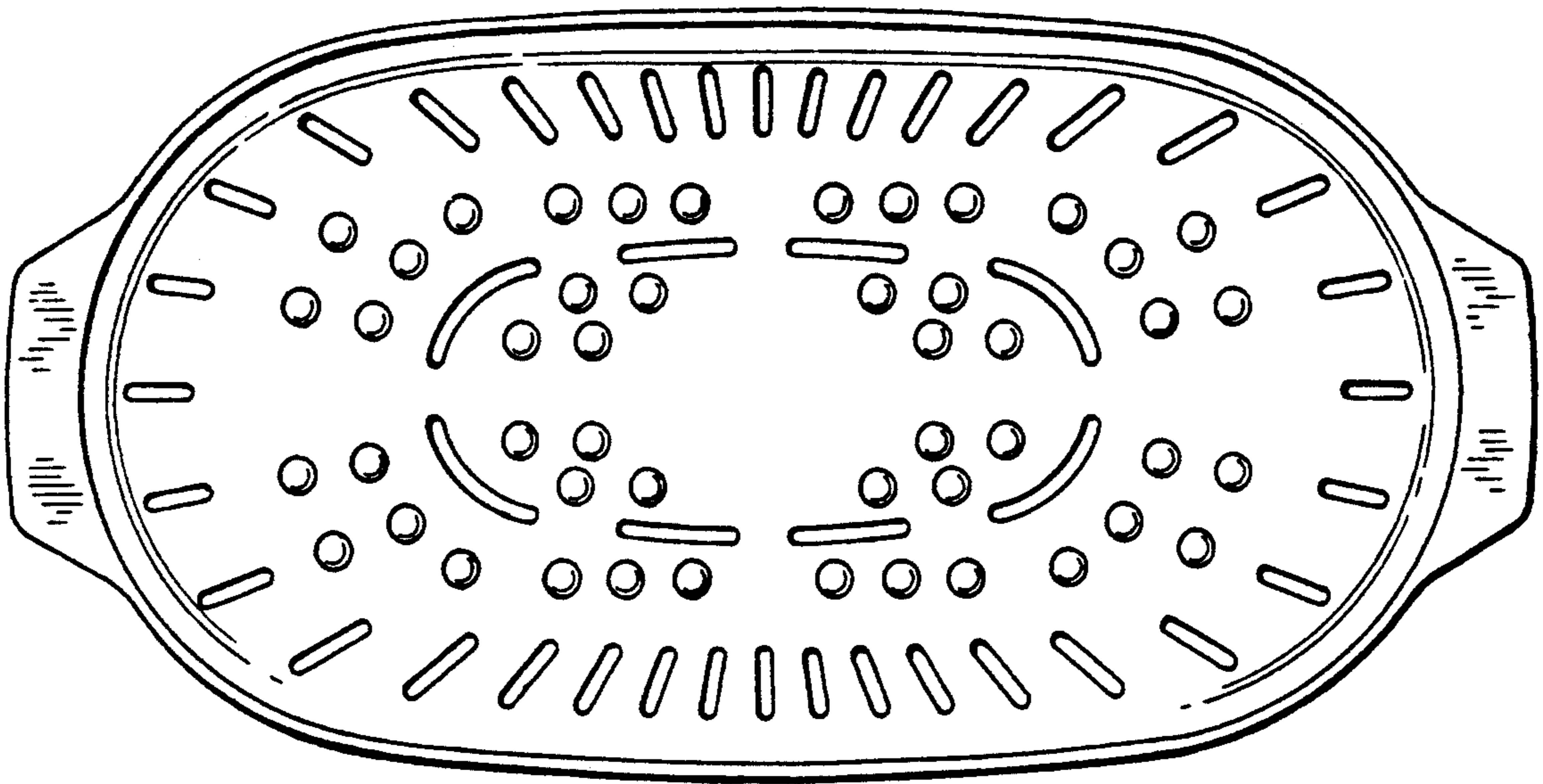
*FIG. 1*



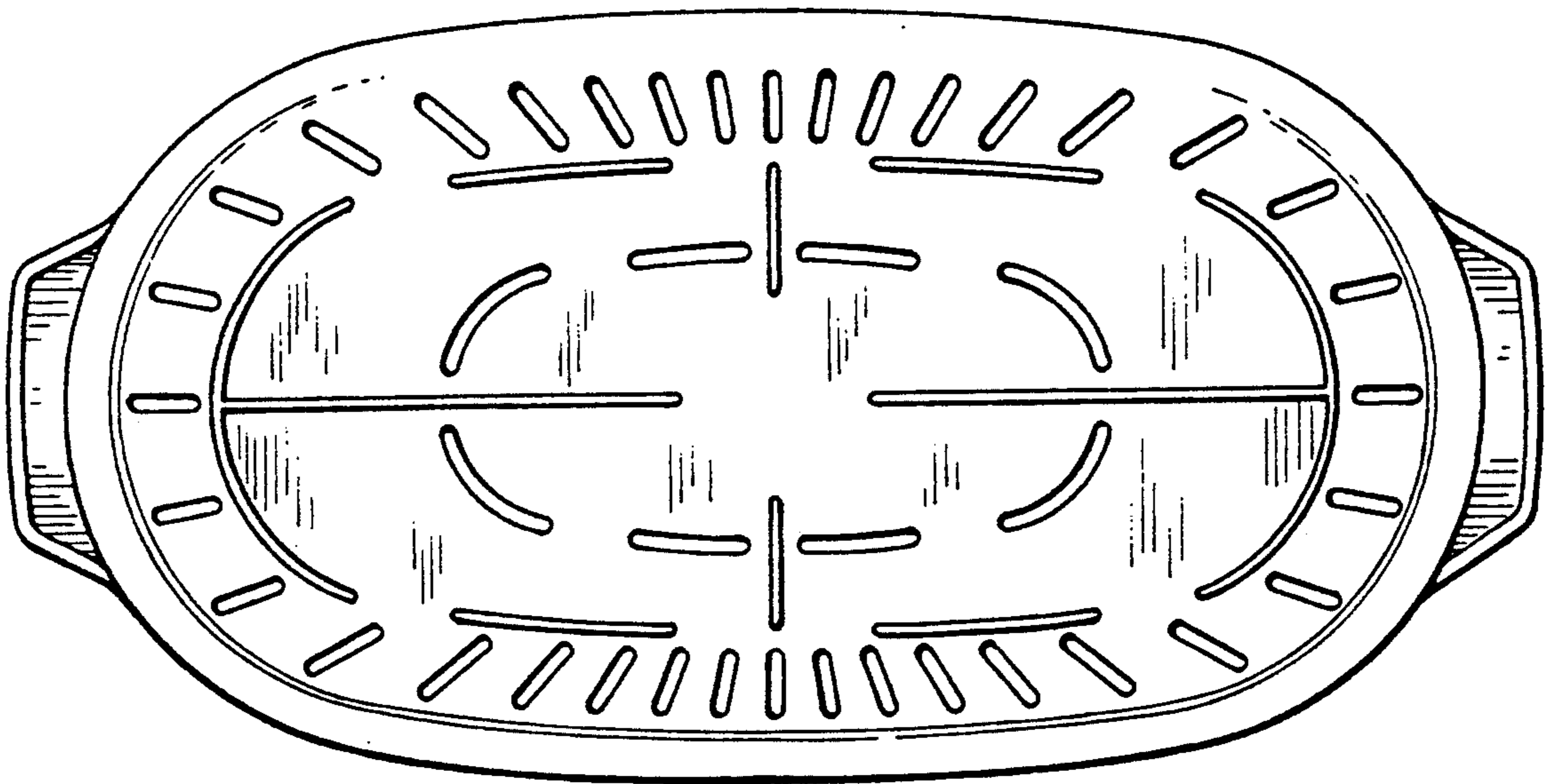
*FIG. 2*



*FIG. 3*



*FIG. 4*



*FIG. 5*