



US00D341988S

# United States Patent [19]

[11] Patent Number: **Des. 341,988**

Endres

[45] Date of Patent: **\*\* Dec. 7, 1993**

[54] **OUTDOOR SMOKER GRILL**

D. 270,420 9/1983 Baugh ..... D7/337  
D. 292,163 10/1987 Mashburn et al. .... D7/337  
4,270,067 5/1981 Thomas et al. .... 219/439

[75] Inventor: **William Endres, Leawood, Kans.**

[73] Assignee: **Rival Manufacturing Company,  
Kansas City, Mo.**

*Primary Examiner*—Ruth McInroy  
*Attorney, Agent, or Firm*—William Brinks Olds Hofer  
Gilson & Lione

[\*\*] Term: **14 Years**

[21] Appl. No.: **893,781**

[57] **CLAIM**

[22] Filed: **Jun. 5, 1992**

The ornamental design for an outdoor smoker grill, as shown.

[52] U.S. Cl. .... **D7/337**

[58] Field of Search ..... **D7/331, 332, 337, 362-363,  
D7/365, 367; 99/445-446, 422, 425, 450, 447;  
126/41 R; 219/525**

**DESCRIPTION**

[56] **References Cited**

**U.S. PATENT DOCUMENTS**

D. 201,416 6/1965 Sazegar ..... D7/337  
D. 201,937 8/1965 Johnson ..... D7/337  
D. 219,693 1/1971 Hahn ..... D7/337  
D. 233,585 11/1974 Thomas ..... D7/337  
D. 247,946 5/1978 Painter et al. .... D7/362

FIG. 1 is a perspective view of an outdoor smoker grill showing our new design;

FIG. 2 is a side view thereof;

FIG. 3 is a rear view thereof;

FIG. 4 is a front view thereof;

FIG. 5 is a top view thereof; and,

FIG. 6 is a bottom view thereof.

The electric cord shown in broken lines in FIGS. 1, 2, 5 and 6 is shown for illustrative purposes only and forms no part of the claimed design.

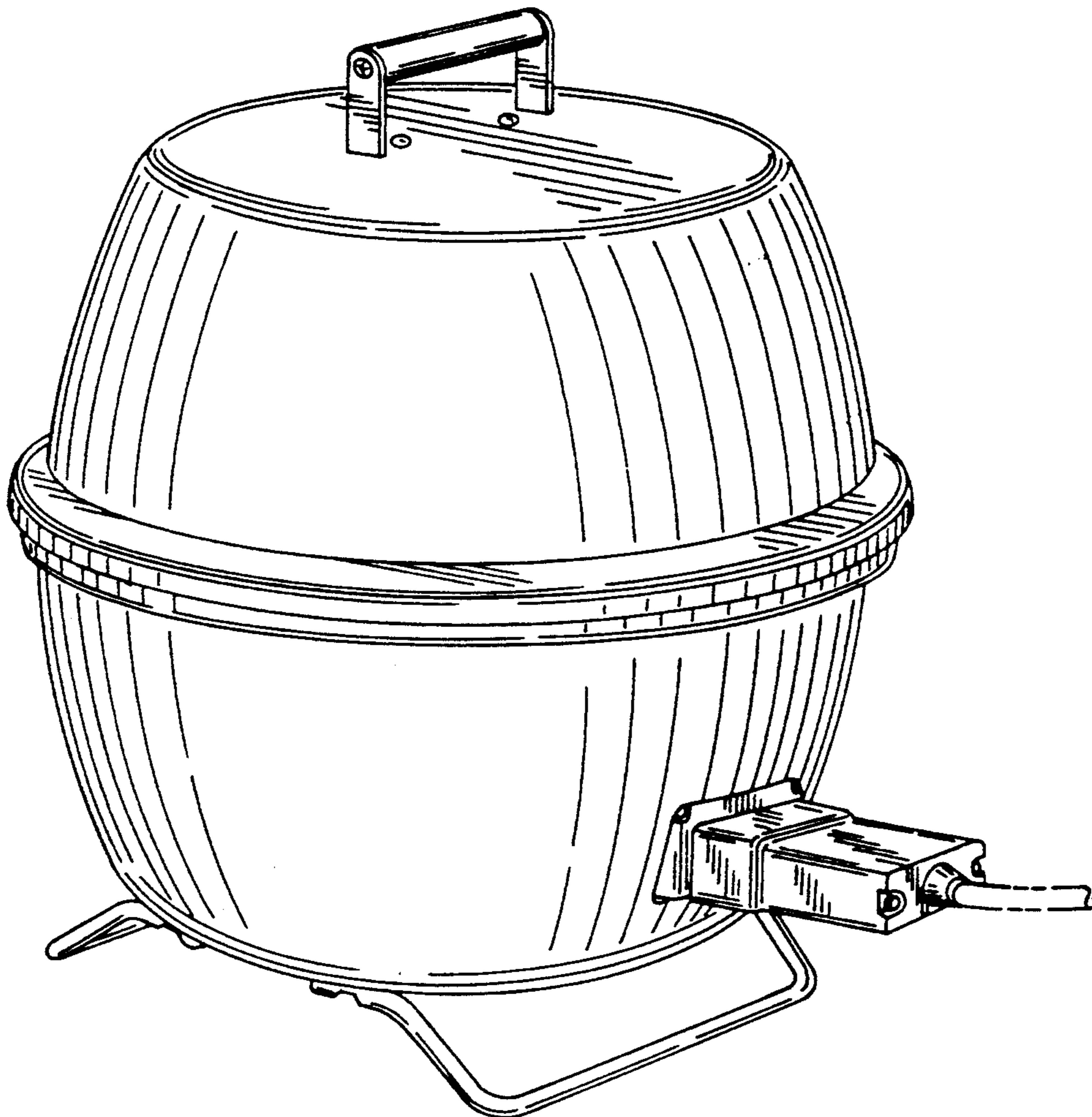


FIG. 1

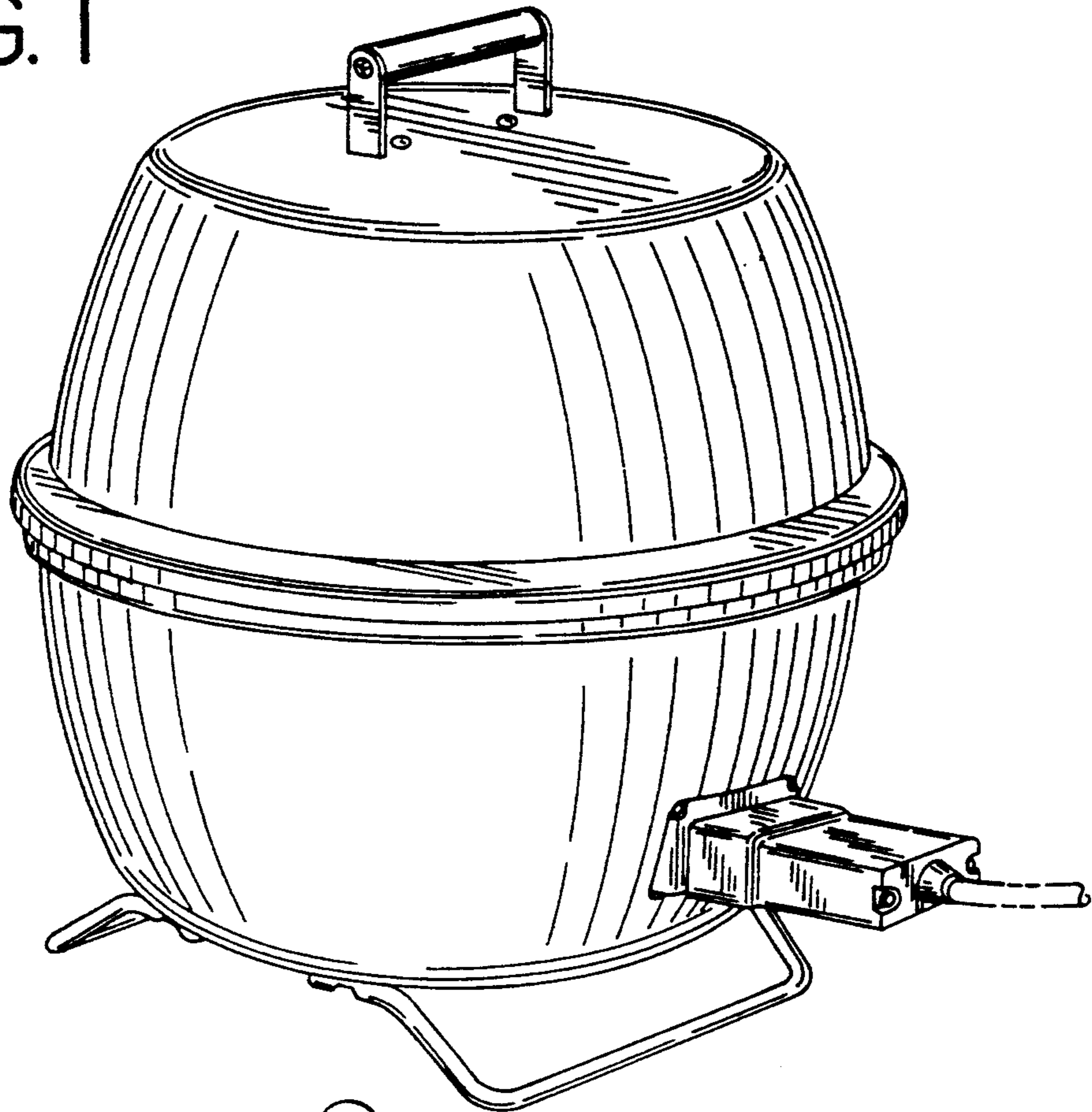


FIG. 2

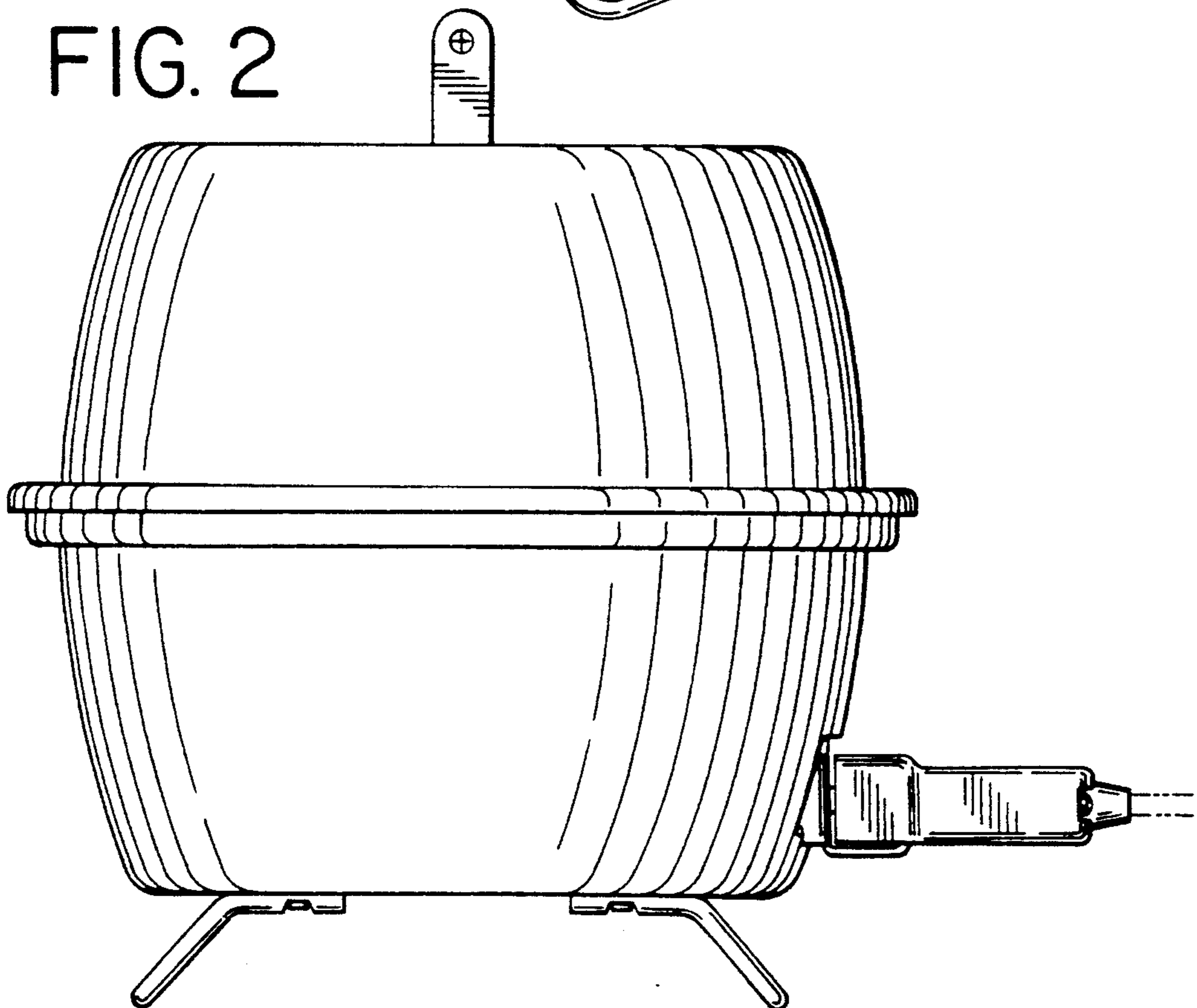


FIG. 3

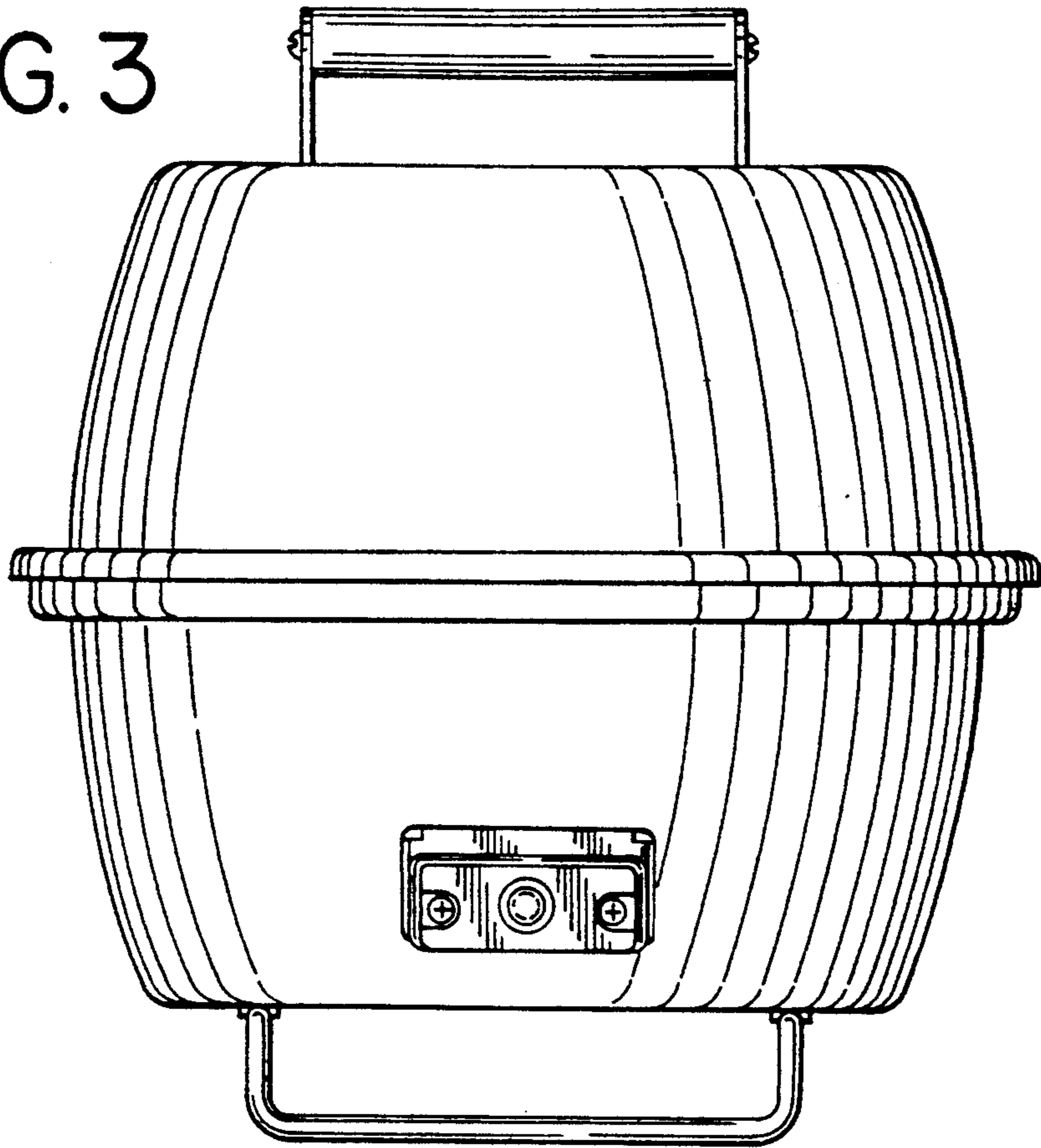


FIG. 4

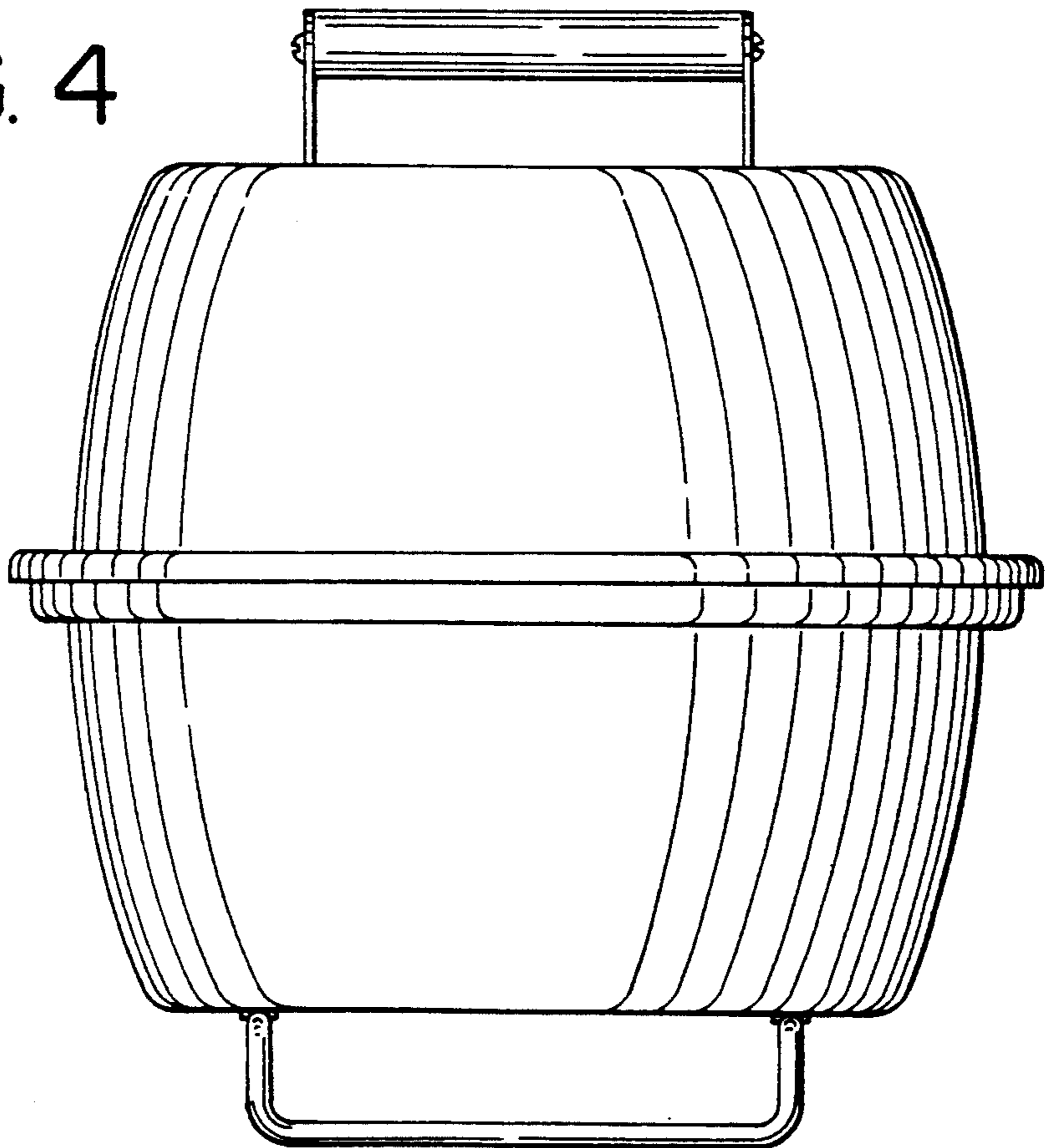




FIG. 5

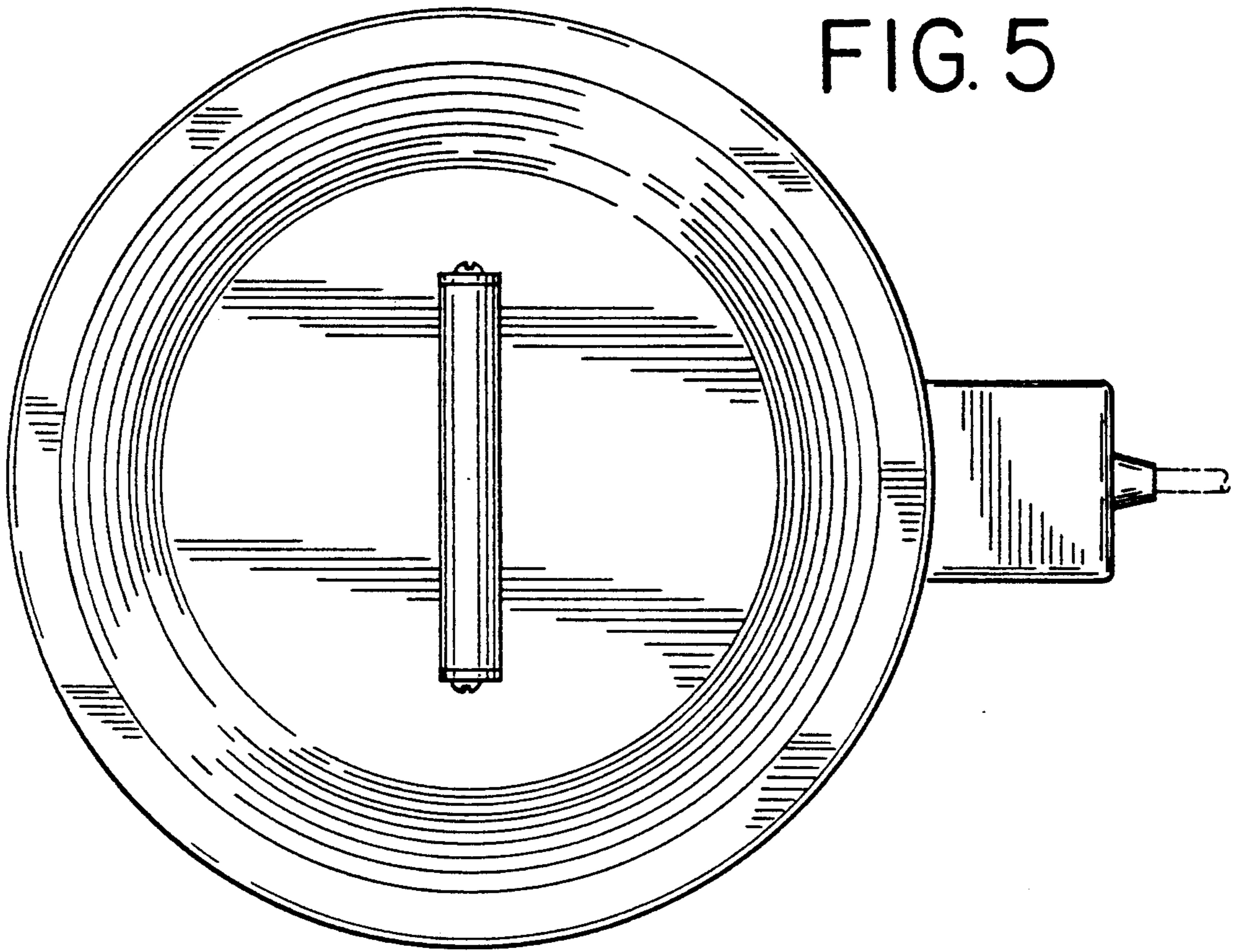
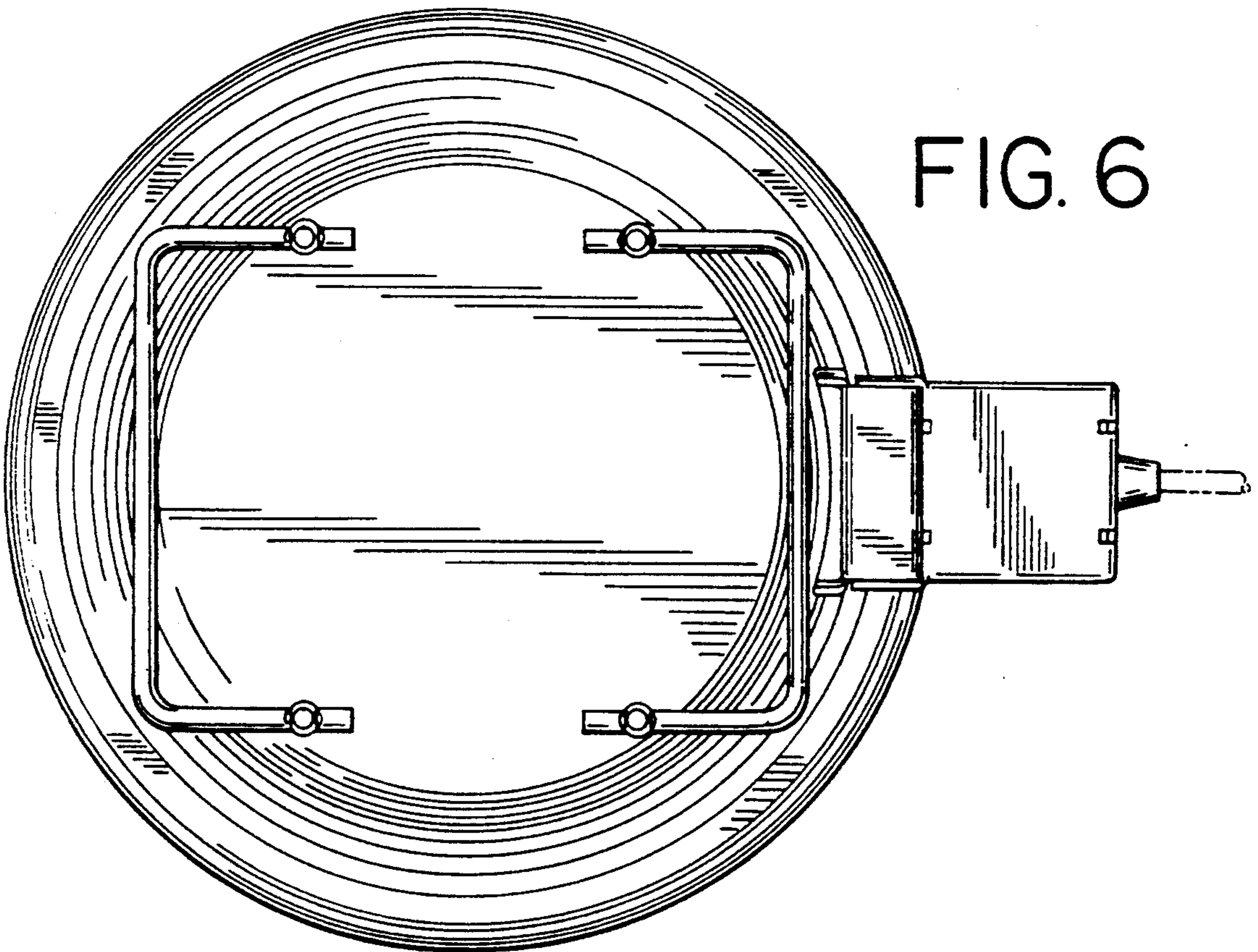


FIG. 6



UNITED STATES PATENT AND TRADEMARK OFFICE  
**CERTIFICATE OF CORRECTION**

PATENT NO. : Des. 341,988  
DATED : December 7, 1993  
INVENTOR(S) : William Endres

It is certified that error appears in the above-identified patent and that said Letters Patent is hereby corrected as shown below:

ON THE TITLE PAGE

Column 2, under the heading "DESCRIPTION", in the sixth line, after "and" please delete ",".

Signed and Sealed this  
Nineteenth Day of July, 1994

Attest:



BRUCE LEHMAN

Attesting Officer

Commissioner of Patents and Trademarks