



US00D341987S

United States Patent [19] Erickson

[11] Patent Number: **Des. 341,987**

[45] Date of Patent: **** Dec. 7, 1993**

[54] **COOKIE MAKER**

[75] Inventor: **Terri L. Erickson, Kansas City, Mo.**

[73] Assignee: **Rival Manufacturing Company,
Kansas City, Mo.**

[**] Term: **14 Years**

[21] Appl. No.: **854,441**

[22] Filed: **Mar. 18, 1992**

[52] U.S. Cl. **D7/323; D7/352;
D7/360**

[58] Field of Search **D7/323, 352, 353, 354;
99/439, 428, 424-426**

1,947,124 2/1934 Clauss 99/439
 2,791,960 5/1957 Pietropinto 99/439
 3,669,006 6/1972 Lee, Sr. 99/450.3
 5,062,356 11/1991 Frankowski 99/428

Primary Examiner—Nelson C. Holtje
Assistant Examiner—Caron D. Veynar
Attorney, Agent, or Firm—Willian Brinks Olds Hofer
 Gilson & Lione

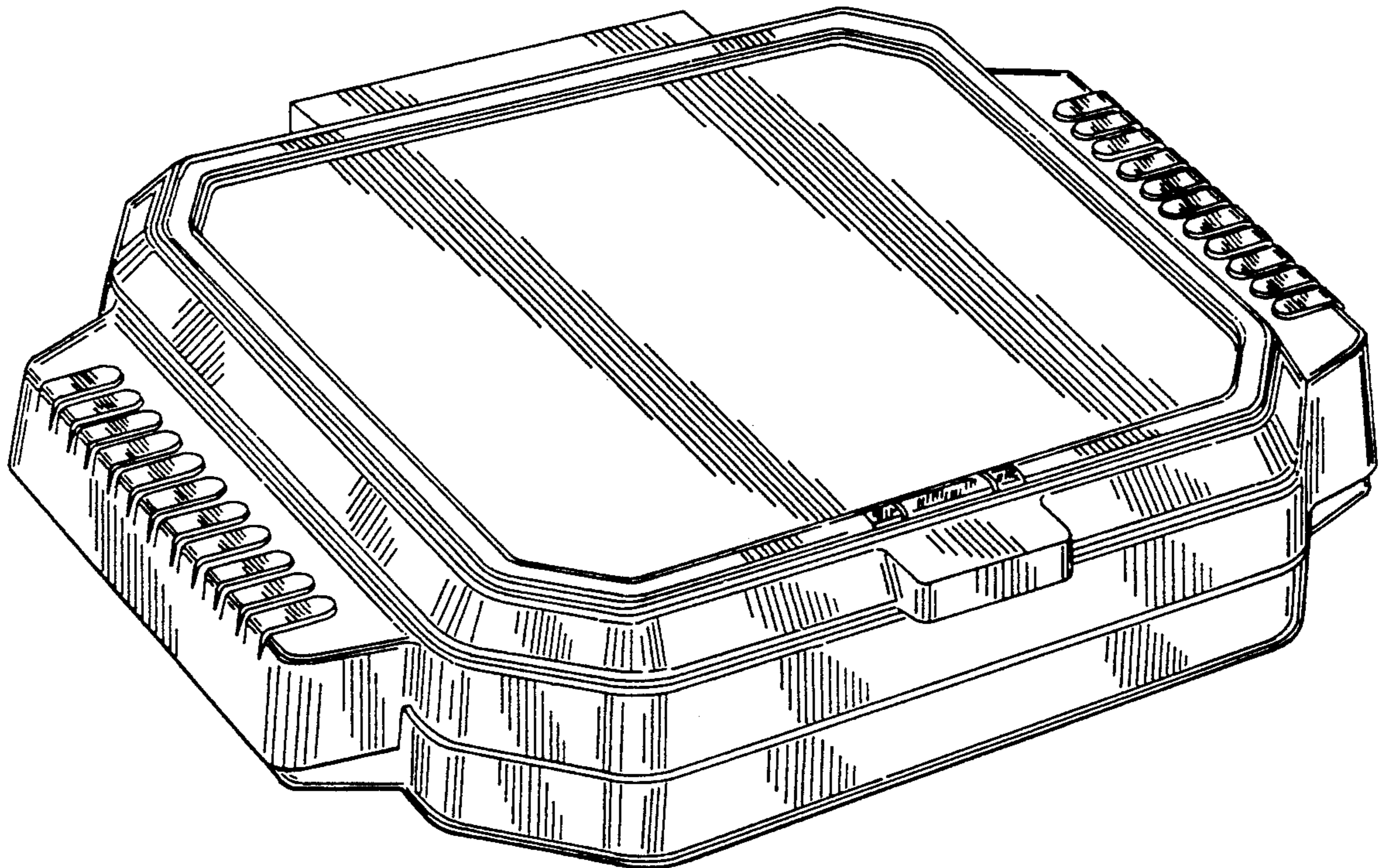
[57] **CLAIM**

The ornamental design for a cookie maker, as shown.

DESCRIPTION

FIG. 1 is a perspective view of a cookie maker showing my new design;
 FIG. 2 is a top view thereof;
 FIG. 3 is a bottom view thereof;
 FIG. 4 is a front view thereof;
 FIG. 5 is a left side view thereof;
 FIG. 6 is a right side view thereof; and,
 FIG. 7 is a rear view thereof.

[56] **References Cited**
U.S. PATENT DOCUMENTS
 D. 161,035 11/1950 McCarron D7/352
 D. 195,801 7/1963 Carpenter D7/352
 1,563,353 12/1925 Forshee .



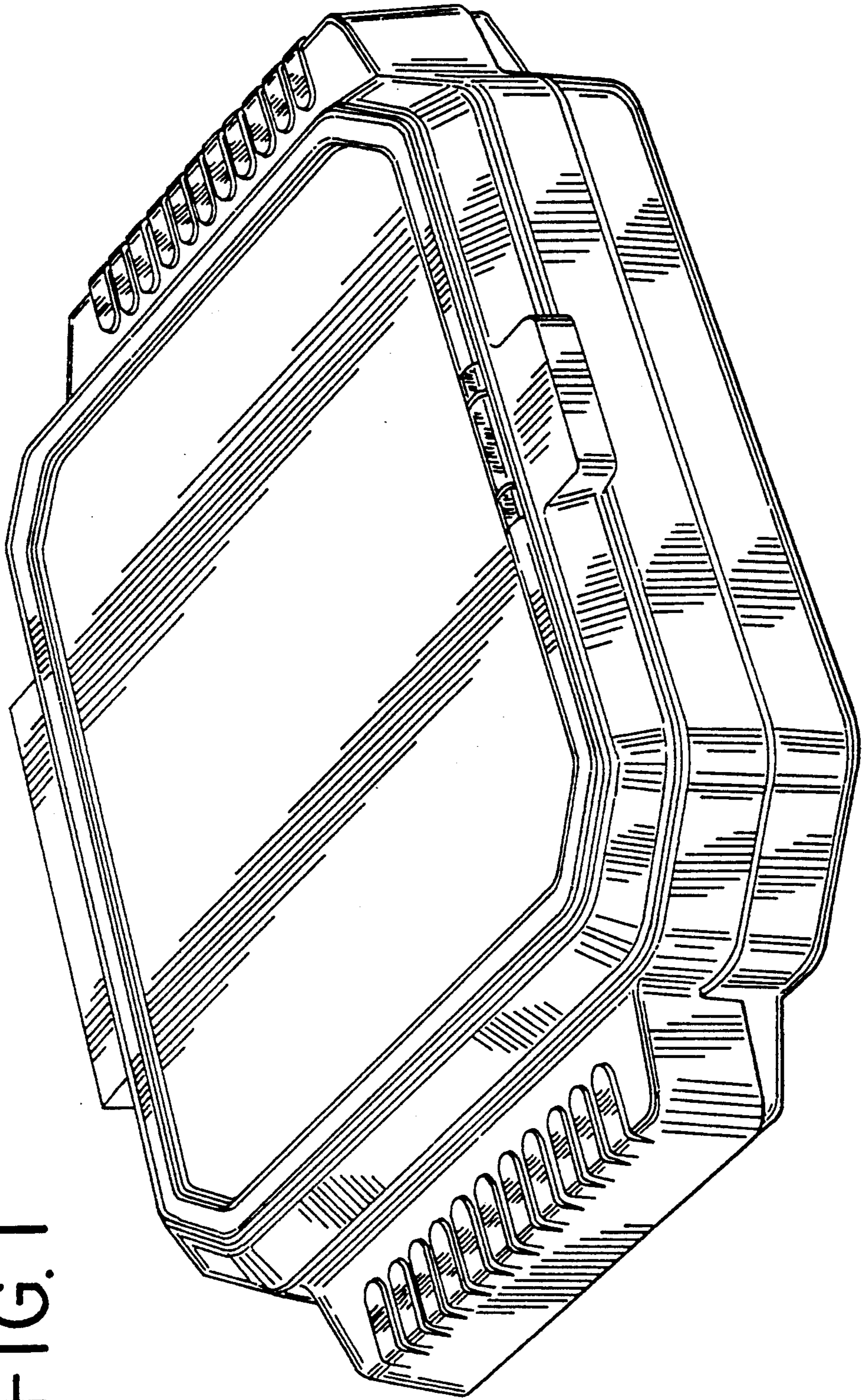


FIG. 1

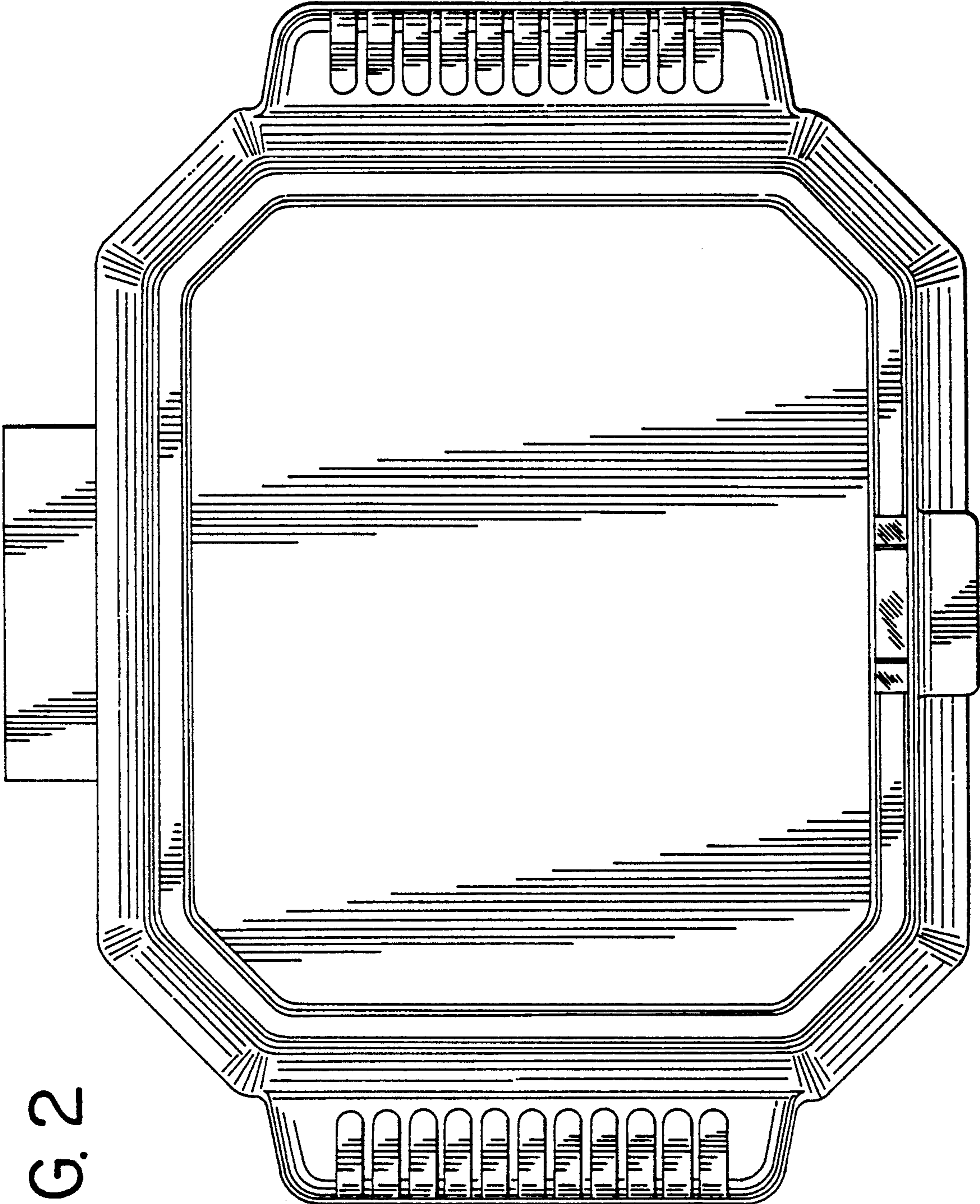


FIG. 2

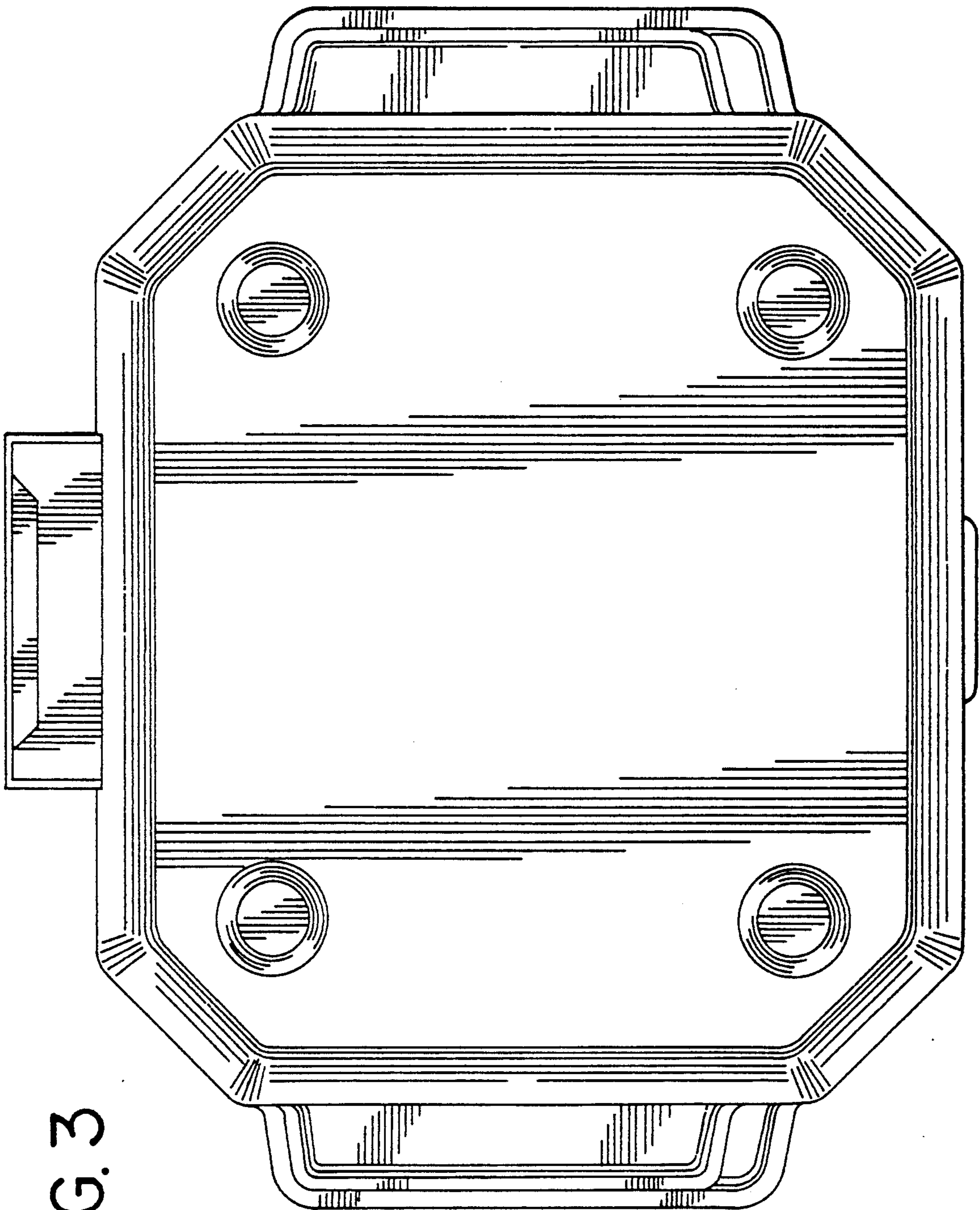


FIG. 3

FIG. 4

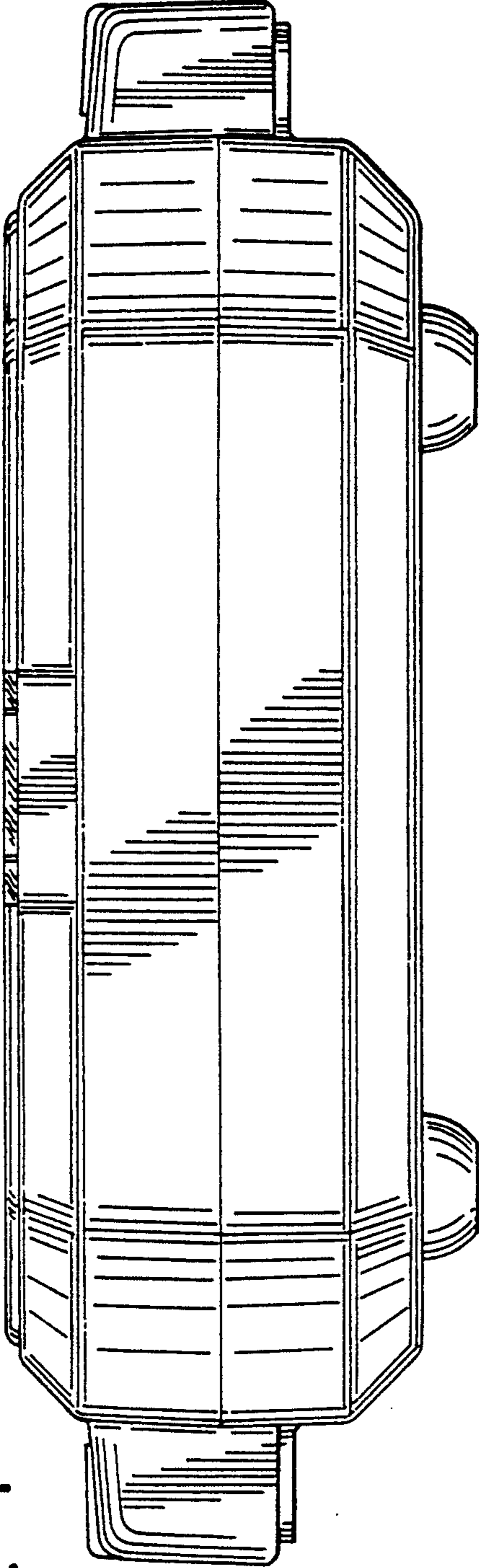


FIG. 5

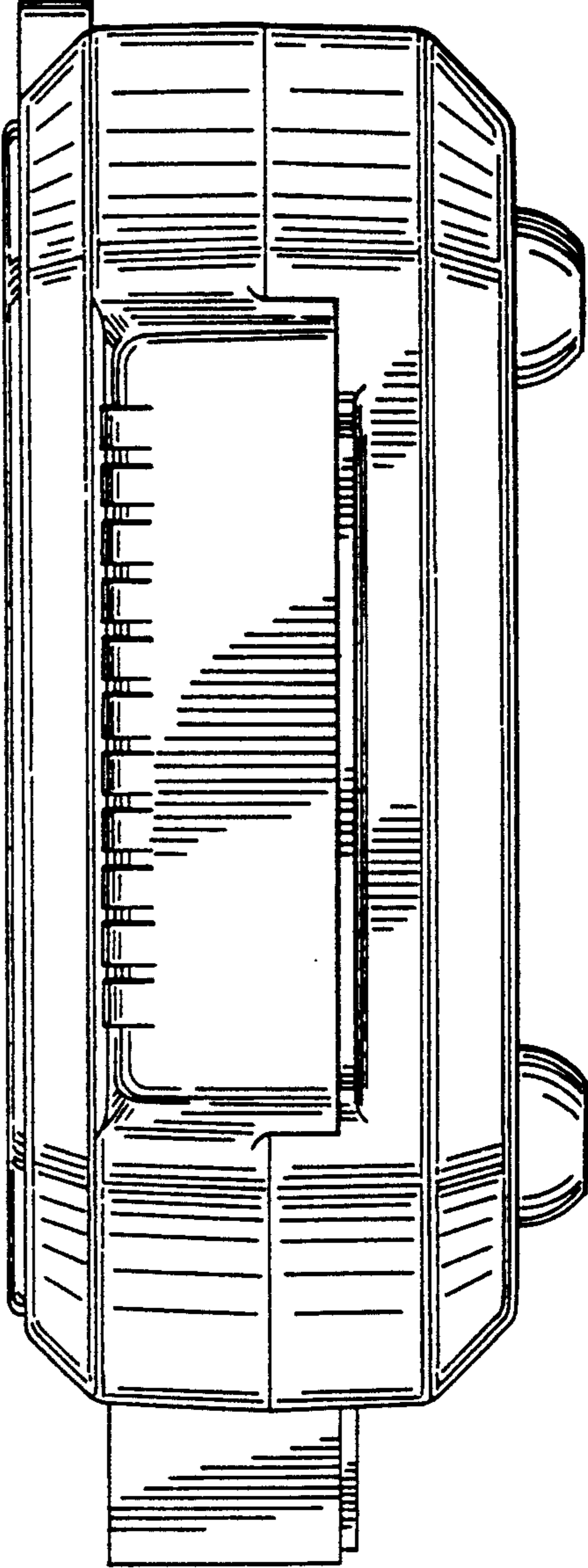


FIG. 6

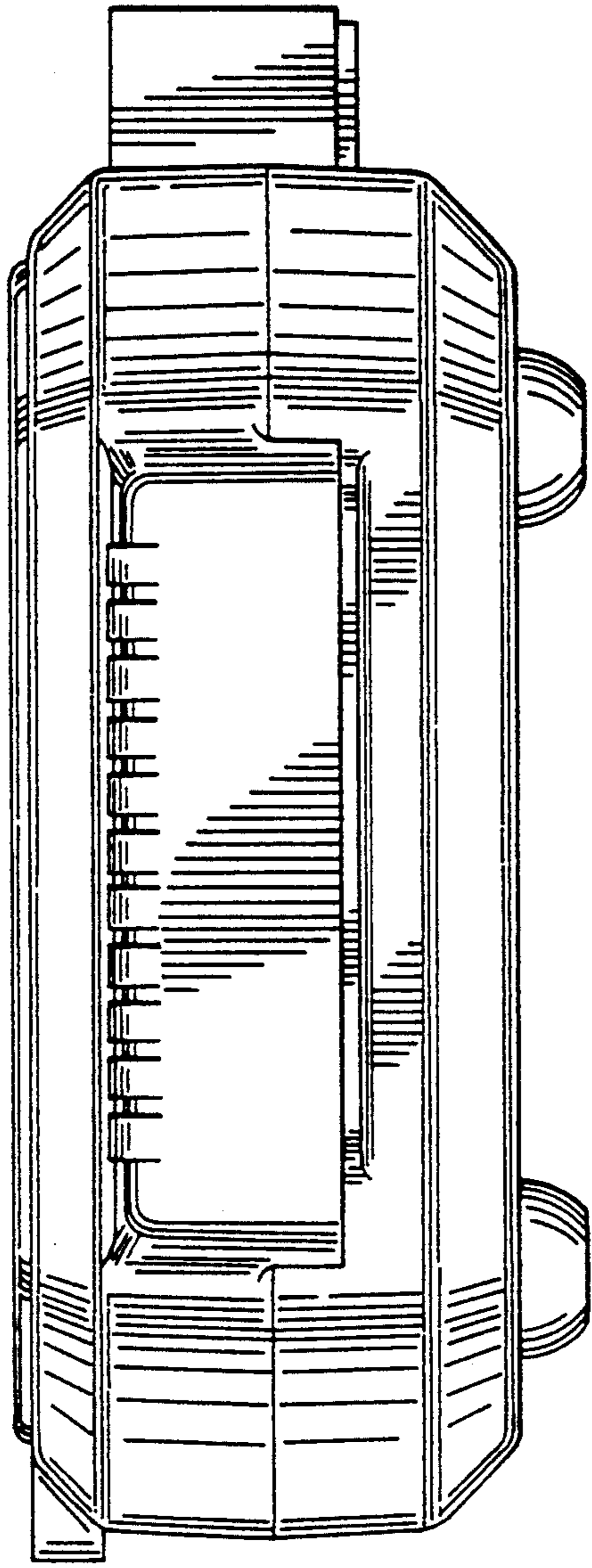
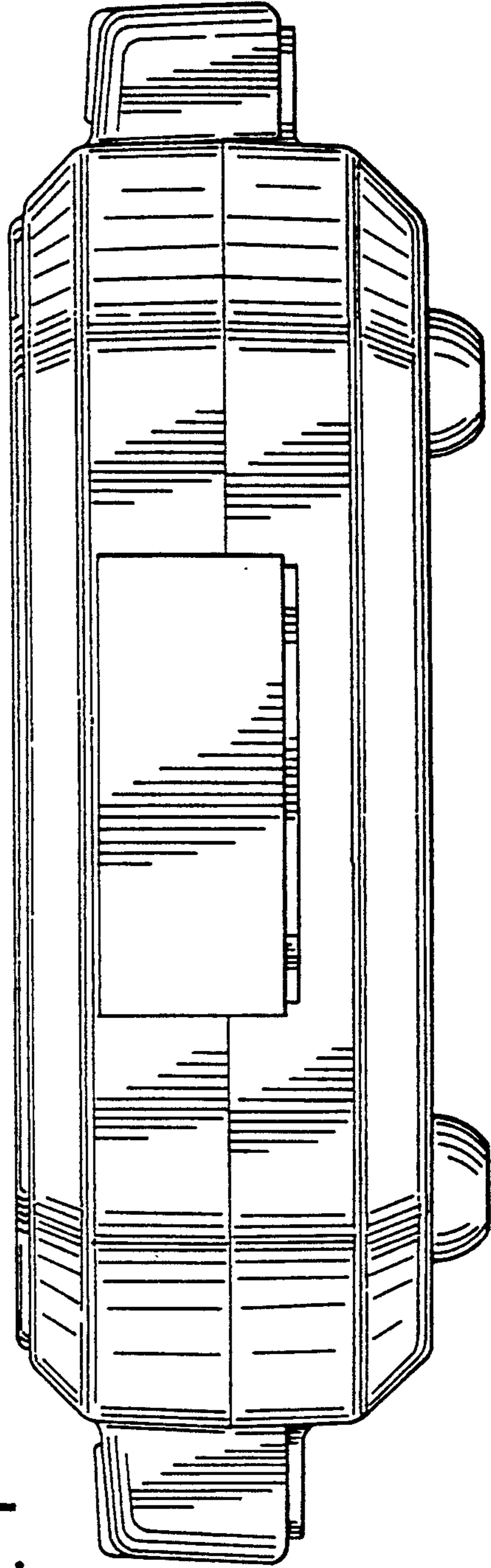


FIG. 7



UNITED STATES PATENT AND TRADEMARK OFFICE
CERTIFICATE OF CORRECTION

PATENT NO. :Des. 341,987
DATED :December 7, 1993
INVENTOR(S) :Terri L. Erickson

It is certified that error appears in the above-identified patent and that said Letters Patent is hereby corrected as shown below:

On the title page, column 2, line 7, in the description of FIG. 6 delete ", ".

Signed and Sealed this
Sixteenth Day of August, 1994



BRUCE LEHMAN

Commissioner of Patents and Trademarks

Attest:

Attesting Officer