



US00D341984S

# United States Patent [19]

Nurmesniemi

[11] Patent Number: **Des. 341,984**

[45] Date of Patent: **\*\* Dec. 7, 1993**

[54] **LIQUID BEVERAGE DISPENSER**

[75] Inventor: **Antti Nurmesniemi, Helsinki, Finland**

[73] Assignee: **Paulig Oy, Finland**

[\*\*] Term: **14 Years**

[21] Appl. No.: **764,473**

[22] Filed: **Sep. 24, 1991**

[30] **Foreign Application Priority Data**

Apr. 12, 1991 [FI] Finland ..... 331/91

[52] U.S. Cl. .... **D7/300; D7/311; D7/309**

[58] **Field of Search** ..... D7/309, 300, 310, 305, D7/311, 306, 590; 99/323.1, 292, 293, 294, 306, 279, 295, 300; 222/129.1-129.4

[56] **References Cited**

**U.S. PATENT DOCUMENTS**

D. 311,845 11/1990 Downie ..... D7/310 X

D. 313,145 12/1990 Maass et al. .... D7/310 X

D. 313,146 12/1990 Precht ..... D7/310 X  
4,998,463 3/1991 Precht et al. .... 99/300

*Primary Examiner*—Alan P. Douglas

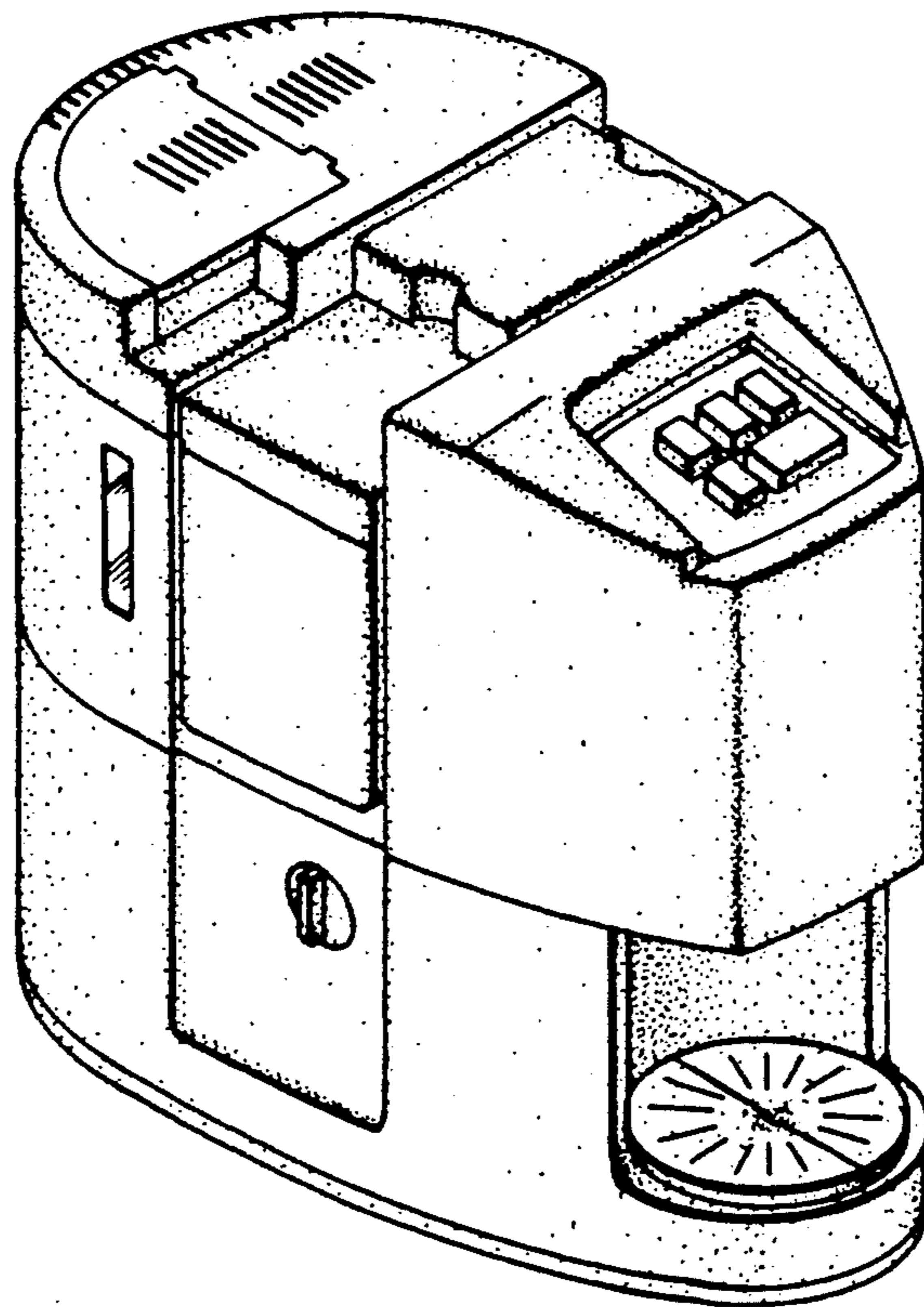
*Assistant Examiner*—M. V. Pandozzi

[57] **CLAIM**

The ornamental design for a liquid beverage dispenser, as shown and described.

**DESCRIPTION**

FIG. 1 is a left side frontal perspective view of the liquid beverage dispenser showing our new design; FIG. 2 is a top plan view of the dispenser of FIG. 1; FIG. 3 is a bottom plan view of the dispenser of FIG. 1; FIG. 4 is a rear elevational view of the dispenser of FIG. 1; FIG. 5 is a front elevational view of the dispenser of FIG. 1; FIG. 6 is a left side elevational view of the dispenser of FIG. 1; and, FIG. 7 is a right side elevational view of the dispenser of FIG. 1.



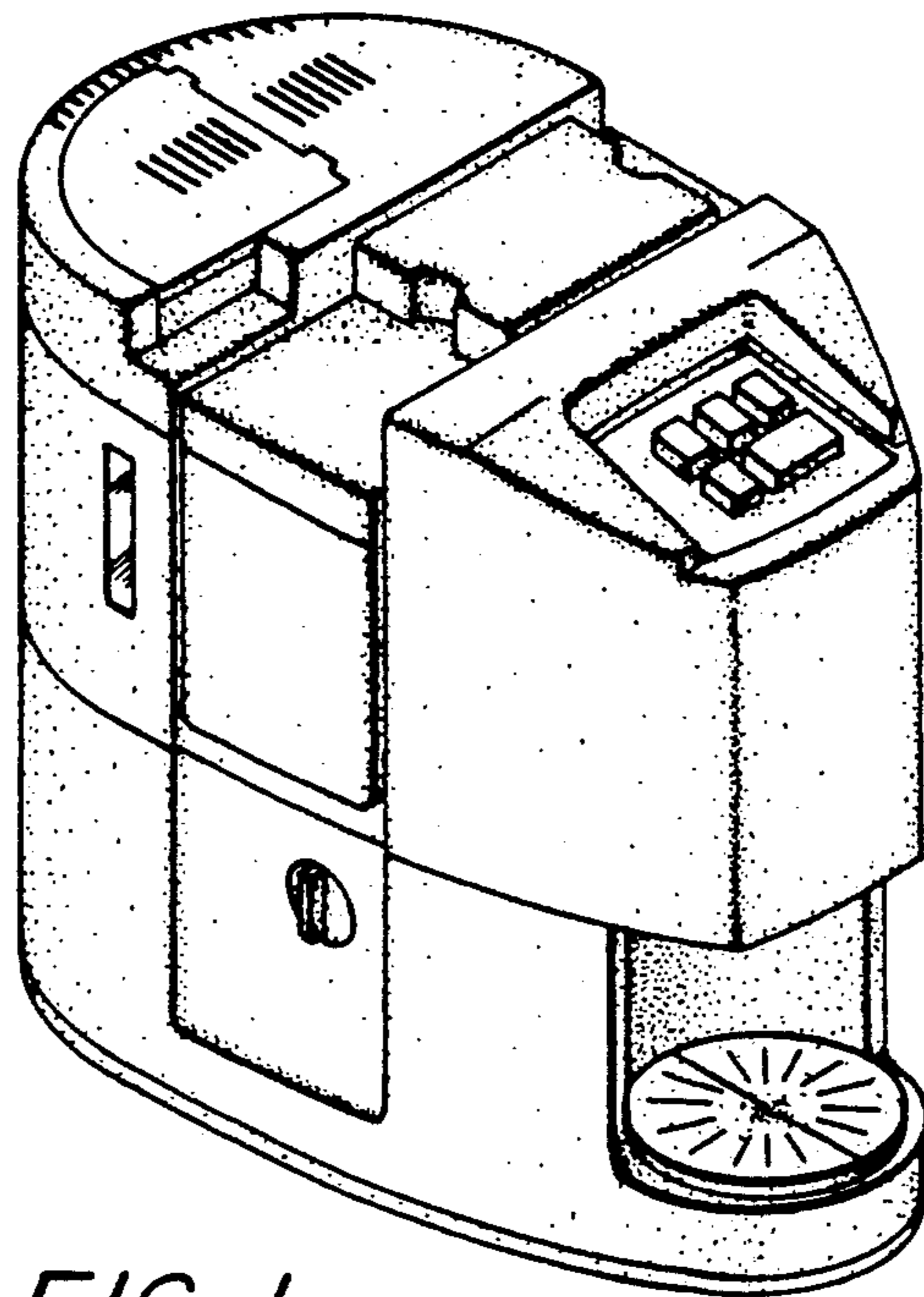


FIG. 1

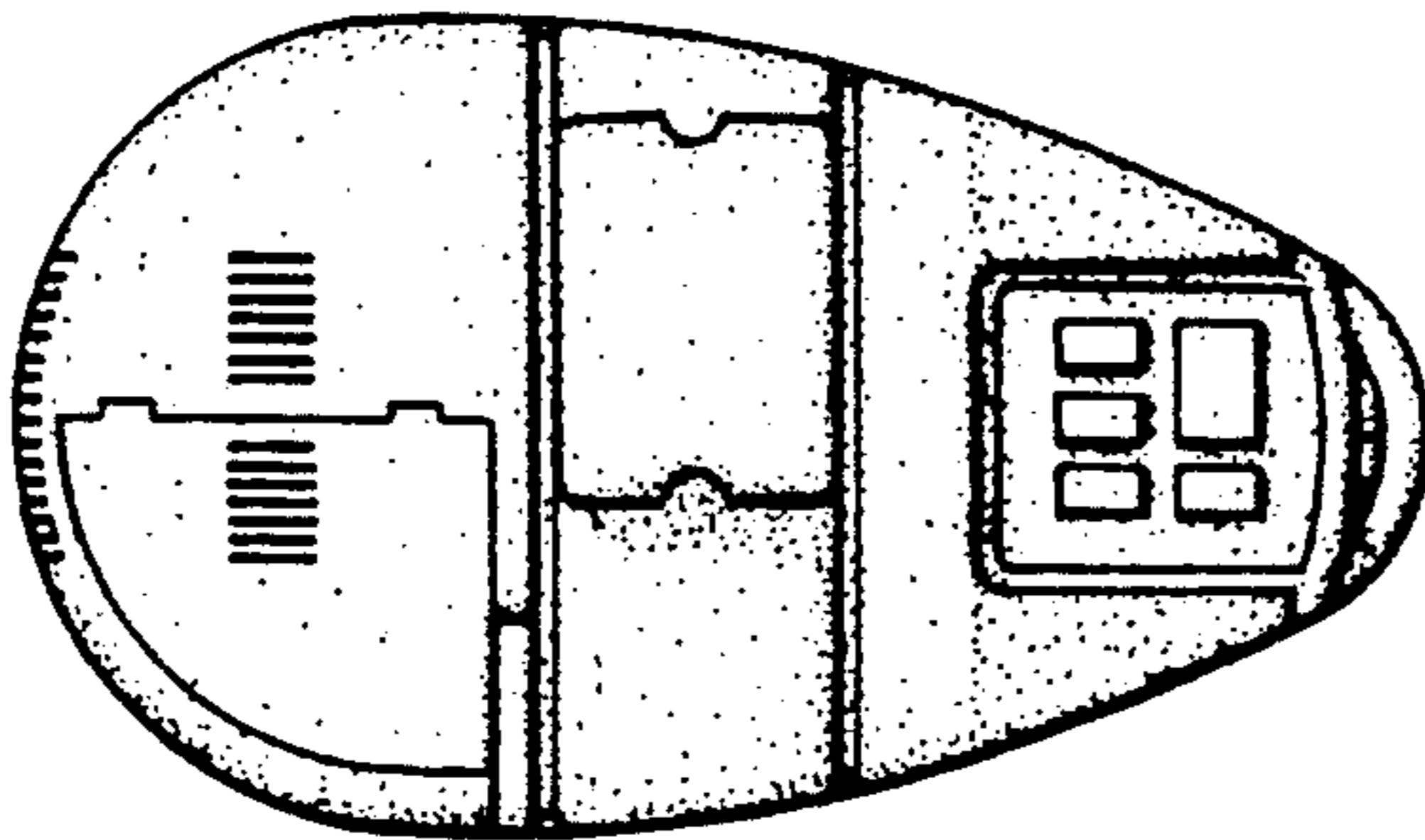


FIG. 2

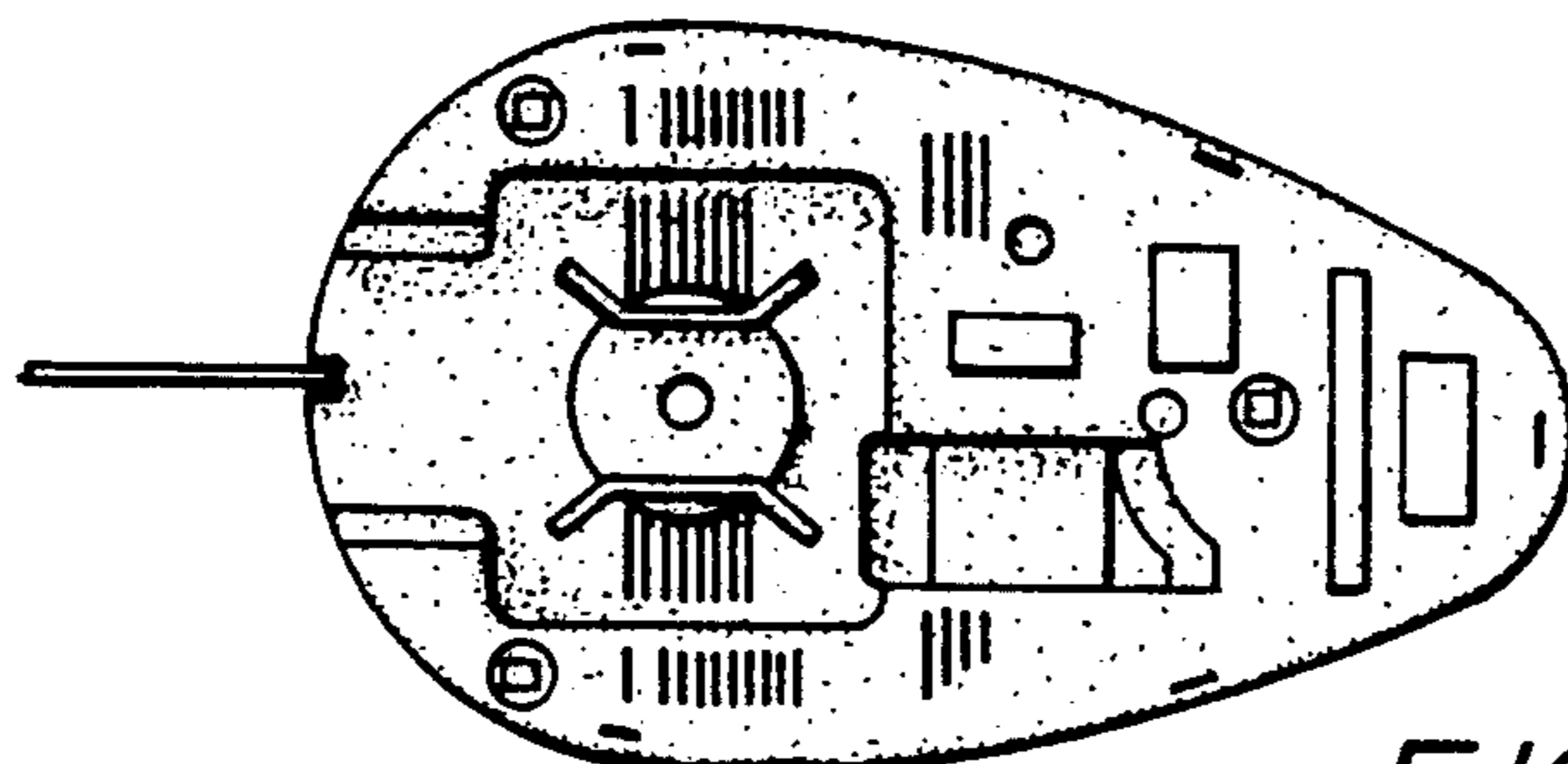


FIG. 3

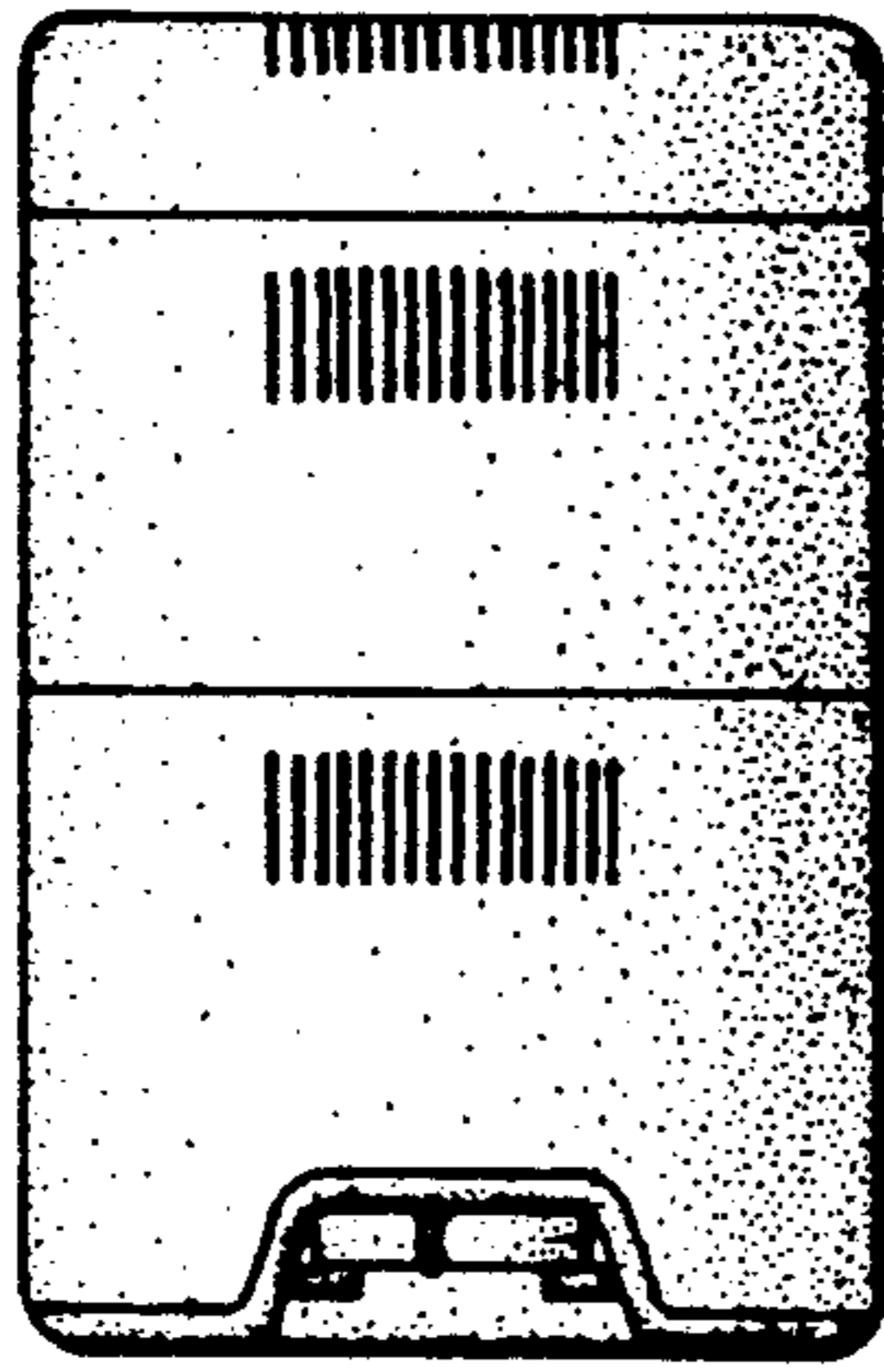


FIG. 4

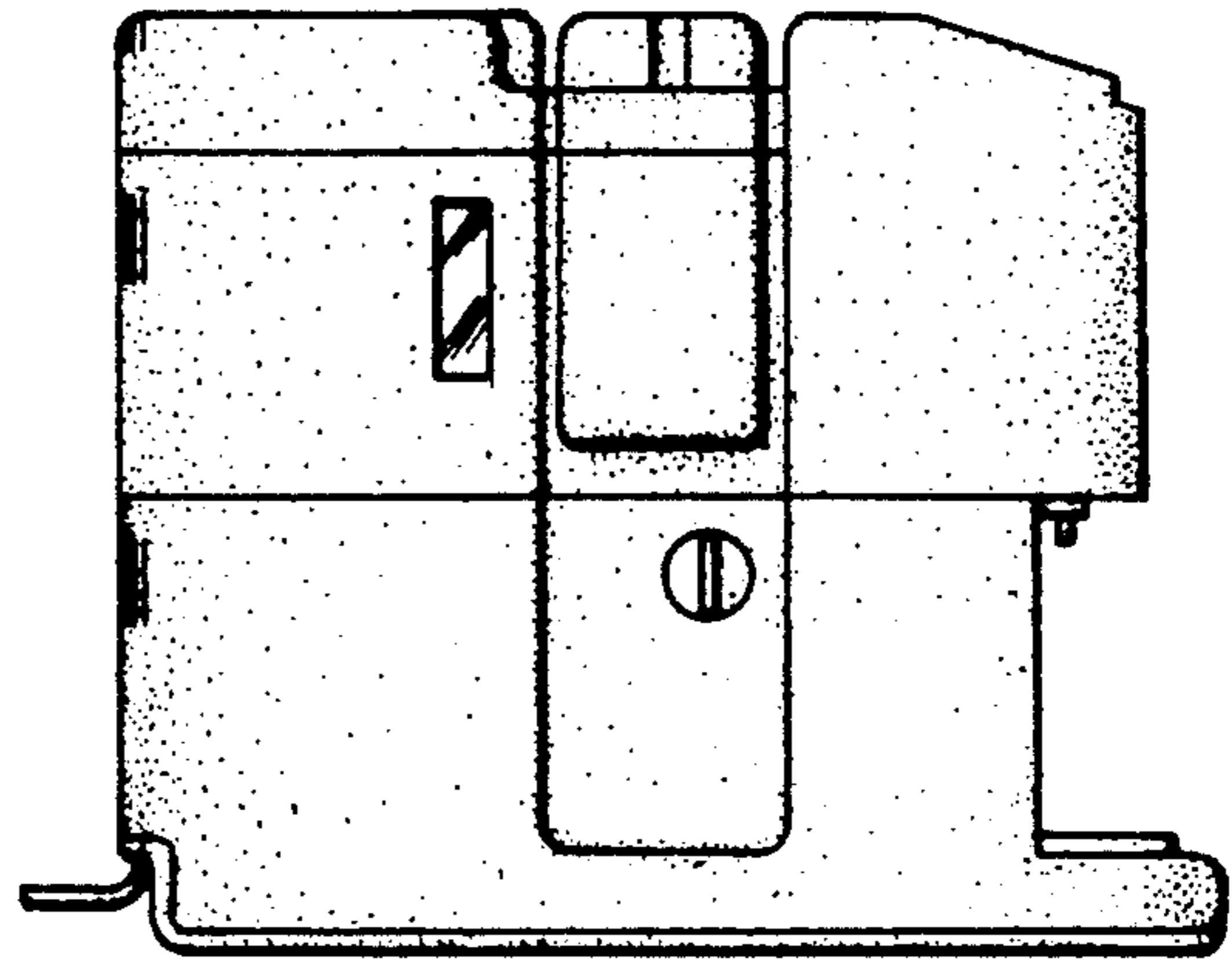


FIG. 6

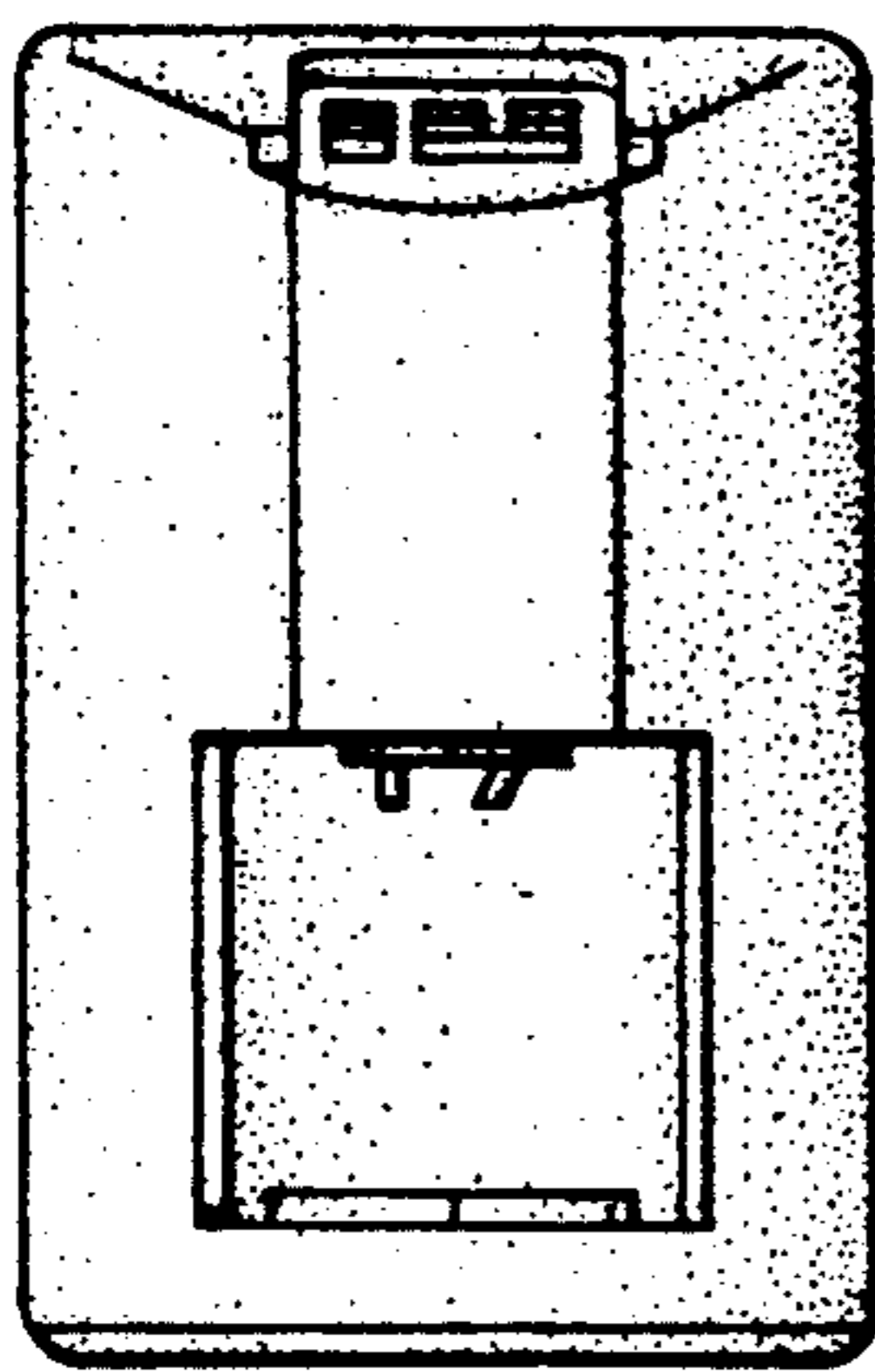


FIG. 5

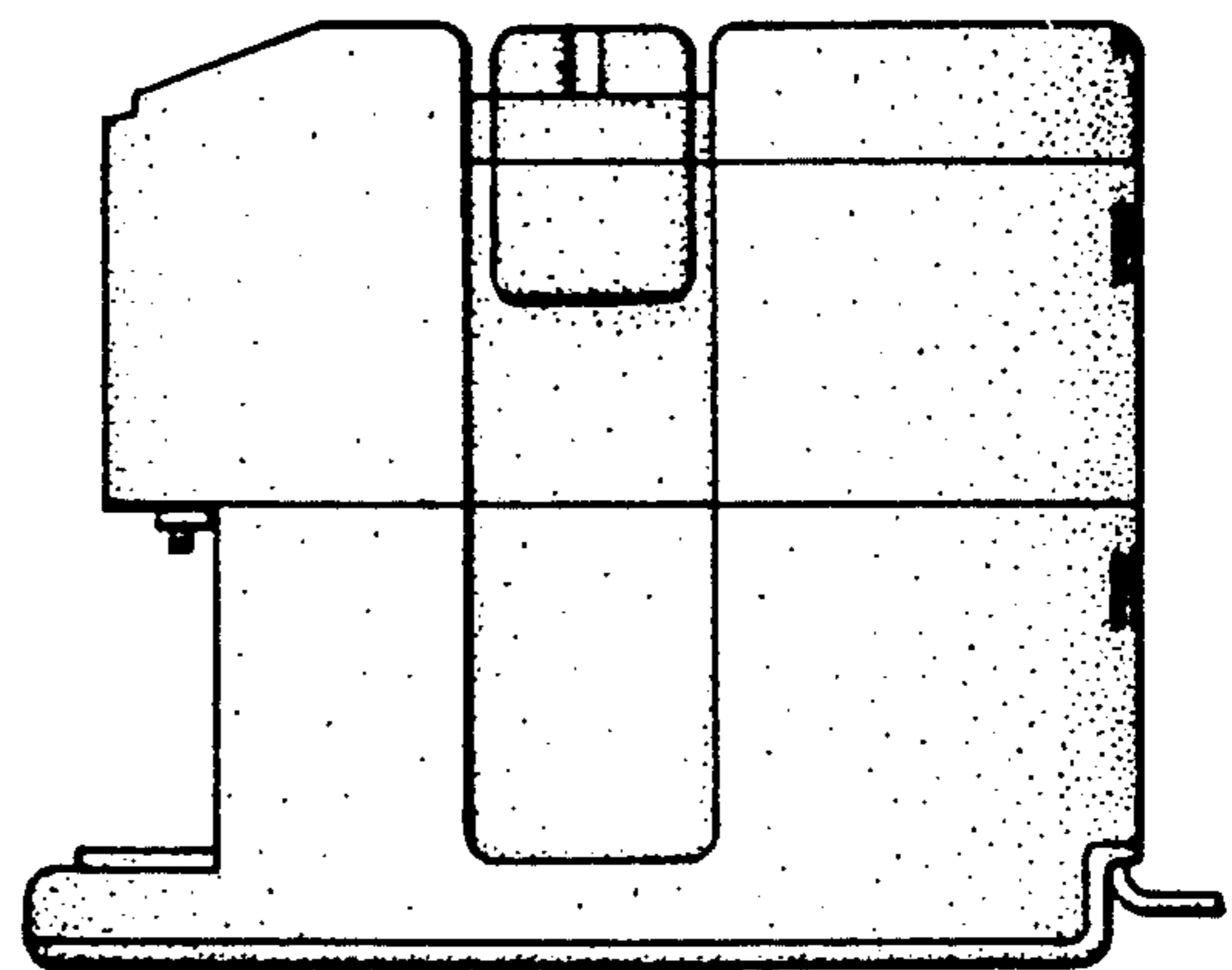


FIG. 7