



US00D341981S

United States Patent [19]

[11] Patent Number: **Des. 341,981**

Harris

[45] Date of Patent: **** Dec. 7, 1993**

[54] **WATER FILLED SEAT PAD**

5,020,175 6/1991 Kirkpatrick et al. 5/420 X
5,044,030 9/1991 Balaton 297/DIG. 3 X

[76] Inventor: **Danny L. Harris, 408 E. Soper St.,
Winnebago, Ill. 61088**

OTHER PUBLICATIONS

Disclosure Document #260,228 filed Aug. 13, 1990.

[**] Term: **14 Years**

Primary Examiner—Carmen H. Vales-Lado
Attorney, Agent, or Firm—Terry M. Gernstein

[21] Appl. No.: **591,897**

[22] Filed: **Sep. 10, 1990**

[52] U.S. Cl. **D6/601; D6/501**

[57] **CLAIM**

[58] Field of Search **D6/349, 500, 501, 601,
D6/502; 5/416, 417, 419, 420; 297/DIG. 1,
DIG. 2, DIG. 3, 282**

The ornamental design for a water filled seat pad, as shown and described.

DESCRIPTION

[56] **References Cited**

U.S. PATENT DOCUMENTS

65,262	5/1867	Ouroussoff	5/420
3,192,540	7/1965	Swank	297/282 X
4,189,181	2/1980	Noble	297/455
4,761,011	8/1988	Sereboff	297/455
4,838,613	6/1989	Smith	297/452
4,924,541	5/1990	Inagaki	297/DIG. 3 X

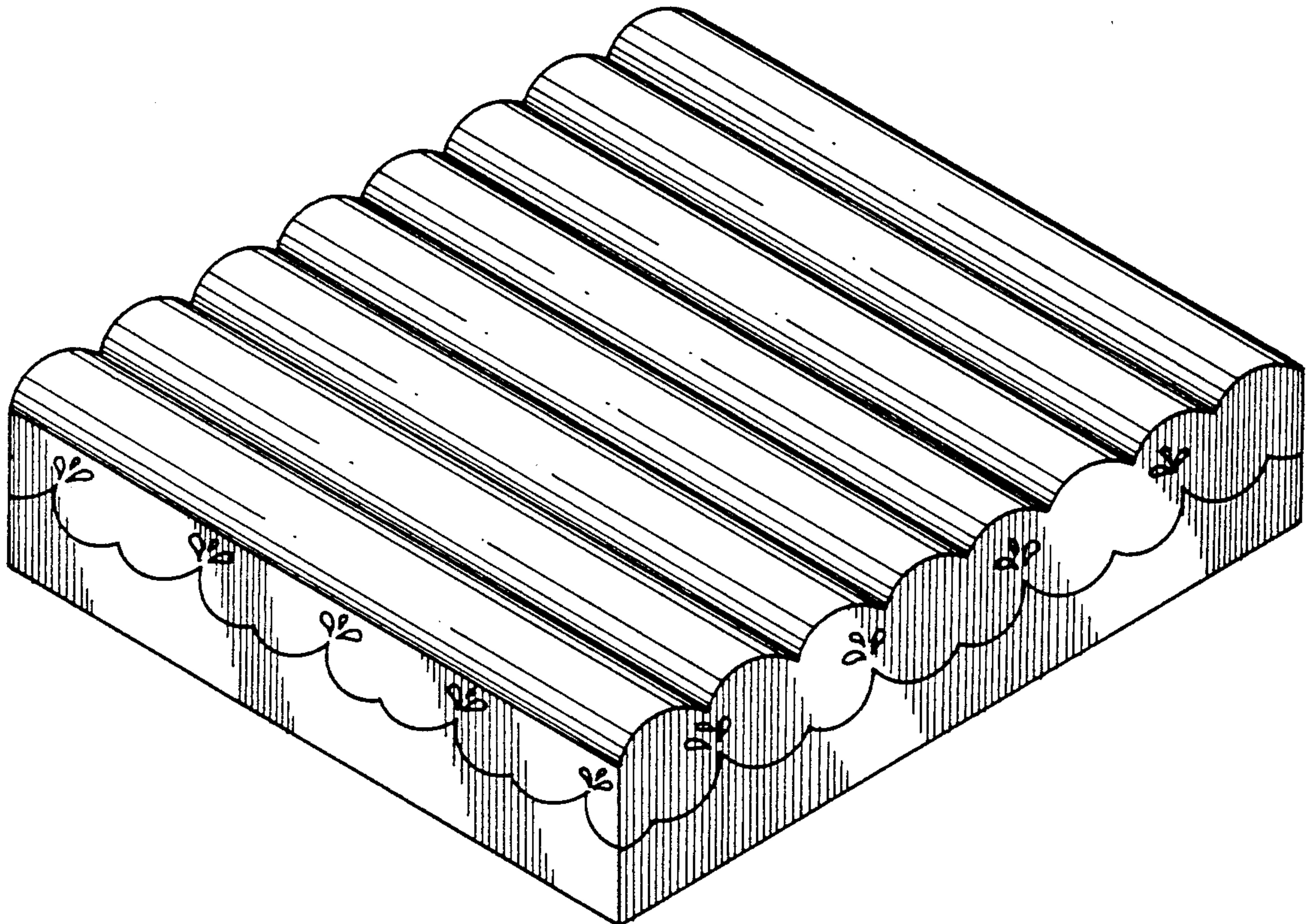
FIG. 1 is a perspective view of a water filled seat pad showing my new design;

FIG. 2 is a front elevational view, the rear being identical thereto;

FIG. 3 is a side elevational view, the opposite side being identical thereto;

FIG. 4 is a top plan view thereof; and,

FIG. 5 is a bottom view thereof.



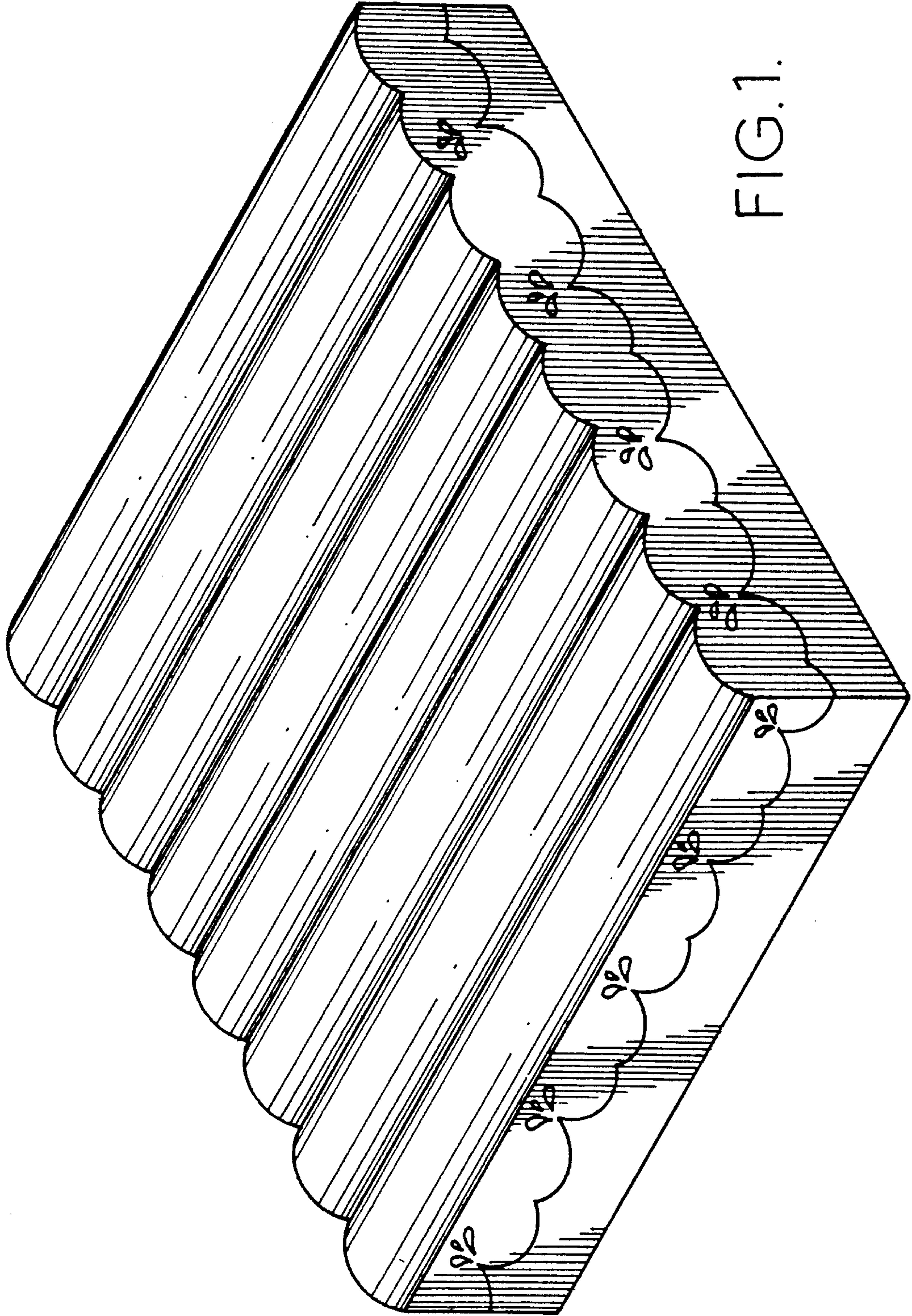


FIG. 1.

FIG. 2.

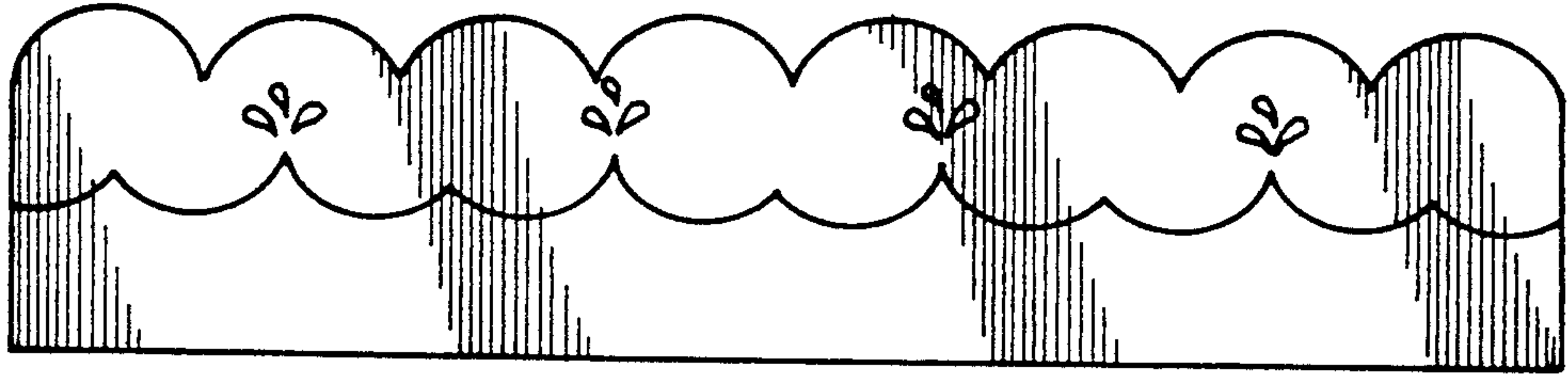


FIG. 4.

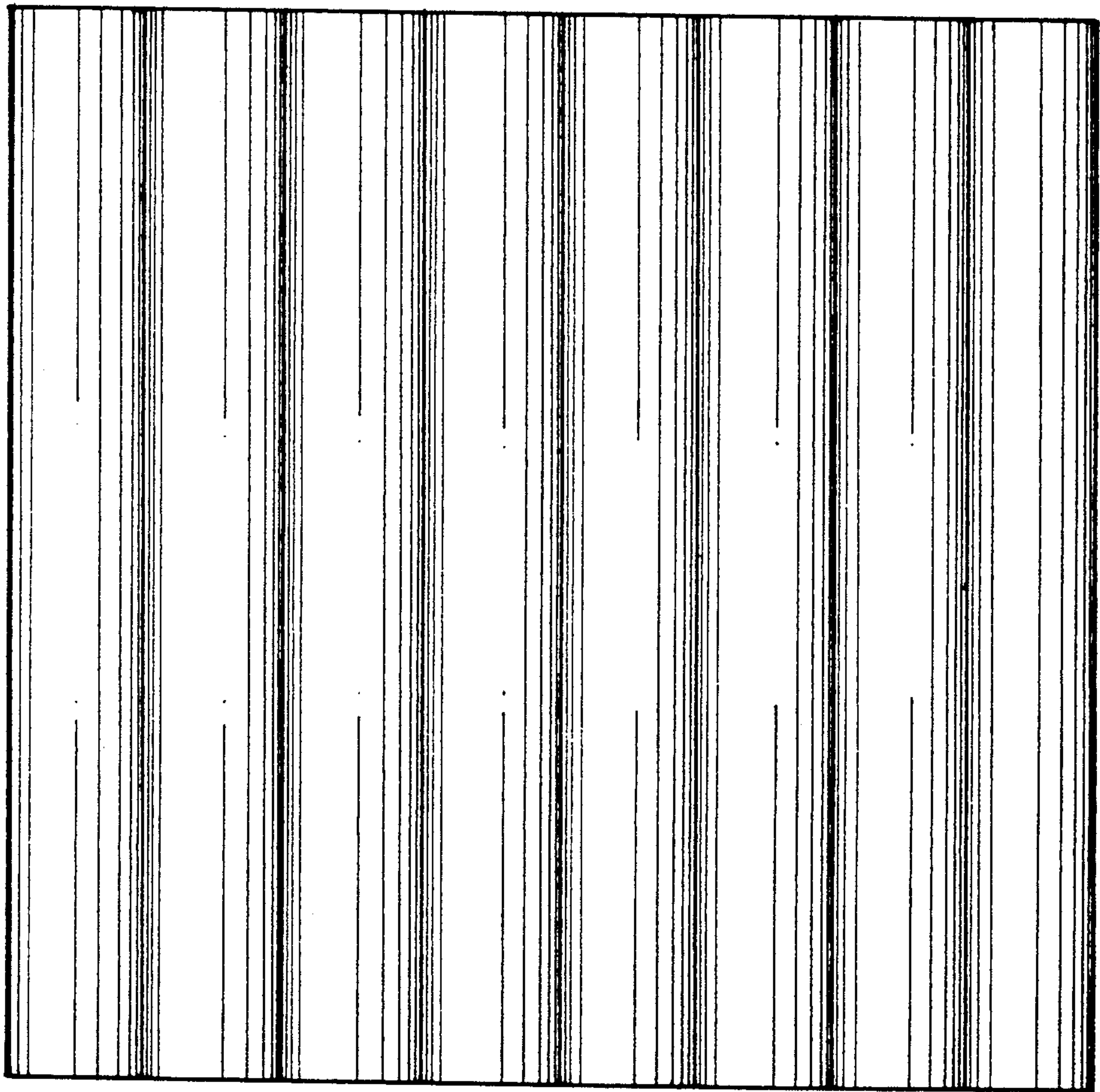


FIG. 3.

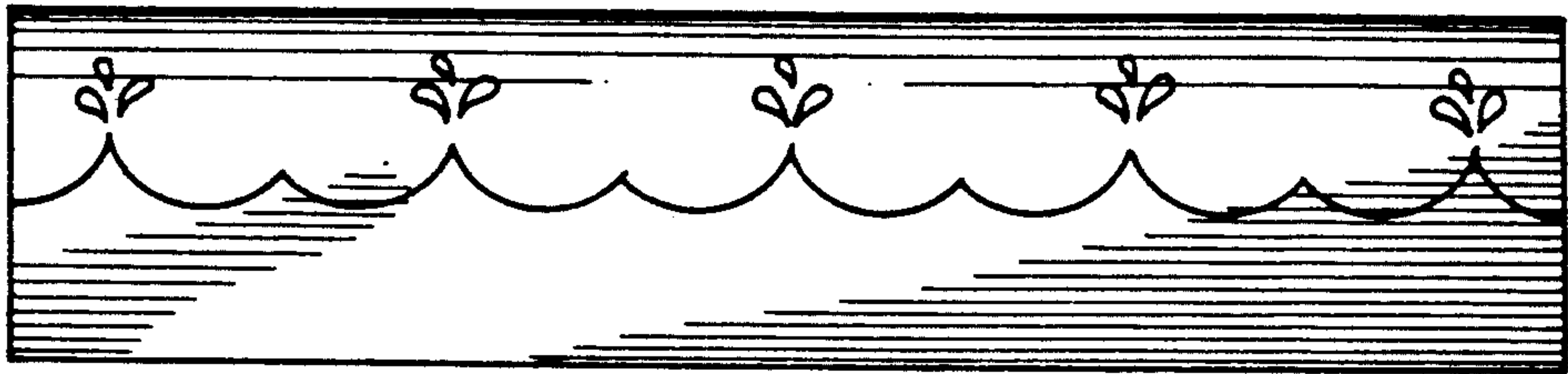


FIG. 5.

