



US00D341978S

# United States Patent [19]

Corne

[11] Patent Number: **Des. 341,978**

[45] Date of Patent: **\*\* Dec. 7, 1993**

[54] **ADJUSTABLE WINDOW SHADE BAR**

4,720,016 1/1988 Kay ..... 211/103 X

[76] Inventor: **Barbara M. Corne**, 2430 Wesington St., Maryland Heights, Mo. 63043

### FOREIGN PATENT DOCUMENTS

9001608 2/1990 Denmark ..... 160/166.1

[\*\*] Term: **14 Years**

*Primary Examiner*—Nelson C. Holtje  
*Assistant Examiner*—Martha Thompson  
*Attorney, Agent, or Firm*—S. Michael Bender

[21] Appl. No.: **528,785**

[22] Filed: **May 25, 1990**

[52] U.S. Cl. .... **D6/580**

### [57] CLAIM

[58] Field of Search ..... D6/580, 577; 160/166.1, 160/174; 211/86, 89, 94, 94.5, 103, 105.1

The ornamental design for a adjustable window shade bar, as shown and described.

### [56] References Cited

### DESCRIPTION

#### U.S. PATENT DOCUMENTS

D. 277,818	3/1985	Spitz	.....	D6/503 X
D. 278,011	3/1985	Spitz	.....	D6/503
2,270,796	1/1942	Hauser	.....	211/86
2,812,067	11/1957	Gussak	.....	211/94
3,143,215	8/1964	Sitrin	.....	211/105.1
3,515,284	6/1970	Taylor	.....	211/94
4,573,590	3/1986	Ellis	.....	211/86

FIG. 1 is a front elevational view of the adjustable window shade bar showing my new design; FIG. 2 is a rear elevational view thereof; FIG. 3 is a left side elevational view thereof; FIG. 4 is a right side elevational view thereof; FIG. 5 is a top plan view thereof; FIG. 6 is a bottom plan view thereof; and, FIG. 7 is a perspective view thereof taken from above.

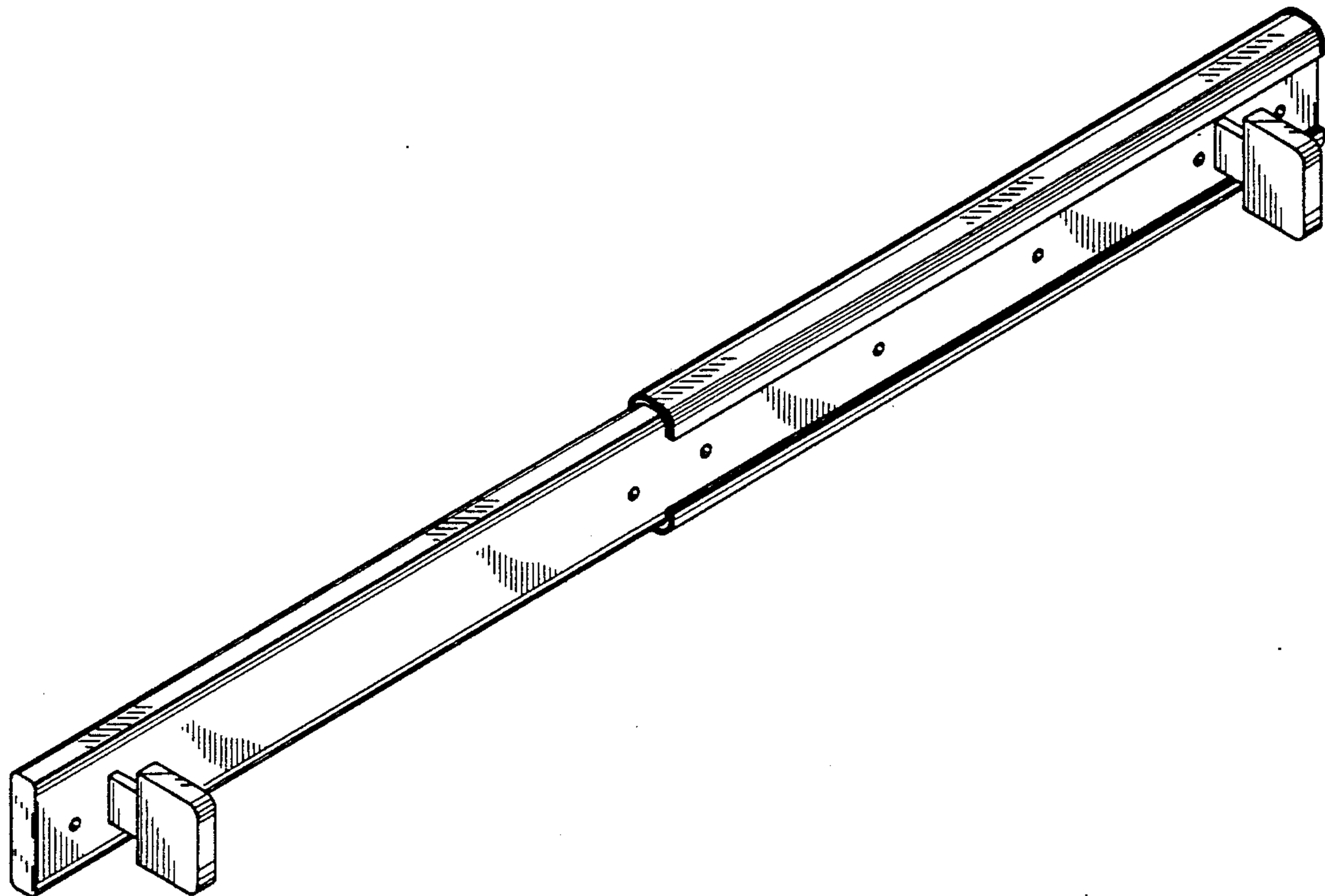


FIG. 1

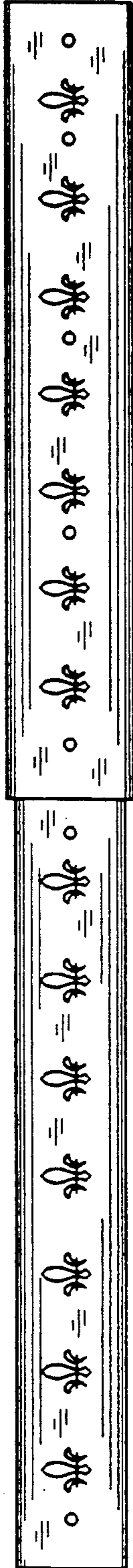
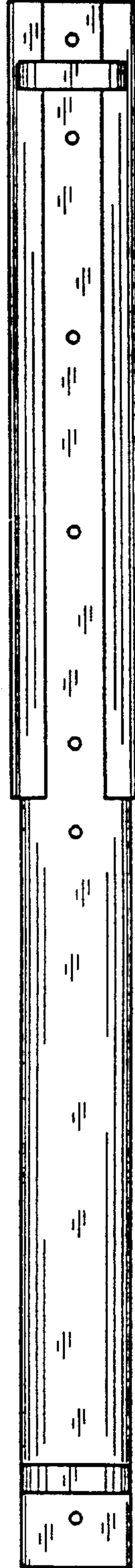
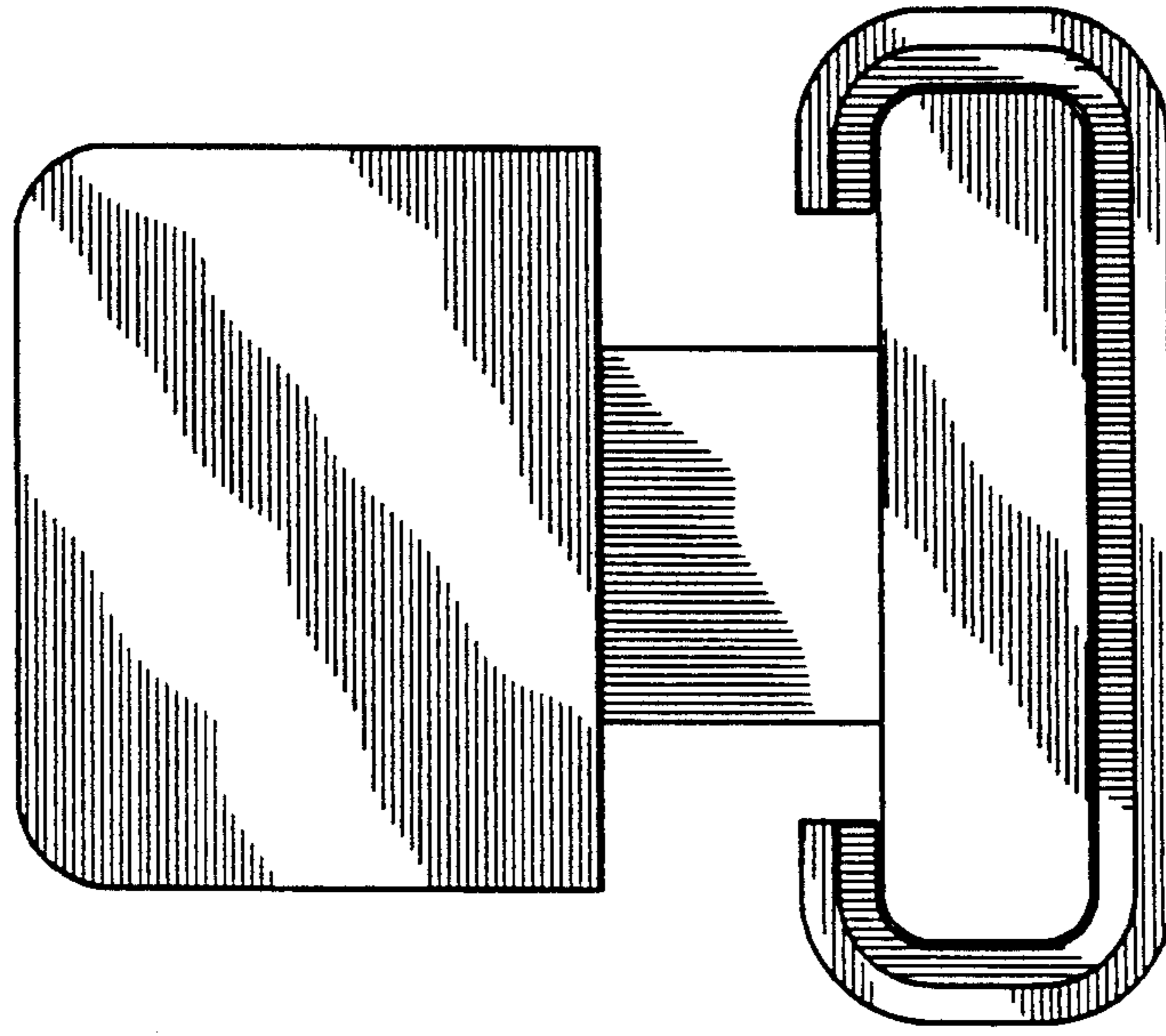


FIG. 2



*FIG. 3*



*FIG. 4*

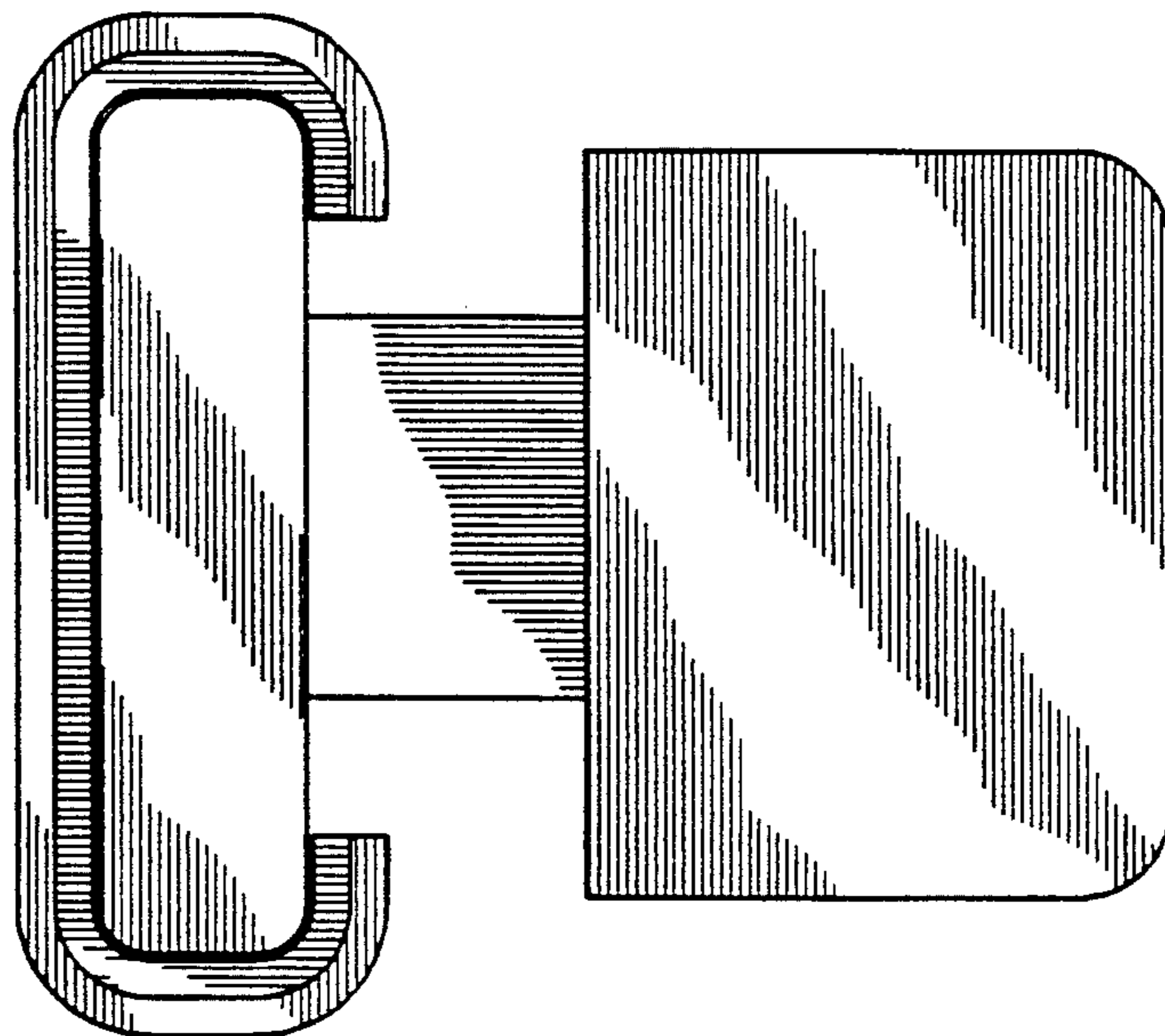


FIG. 5

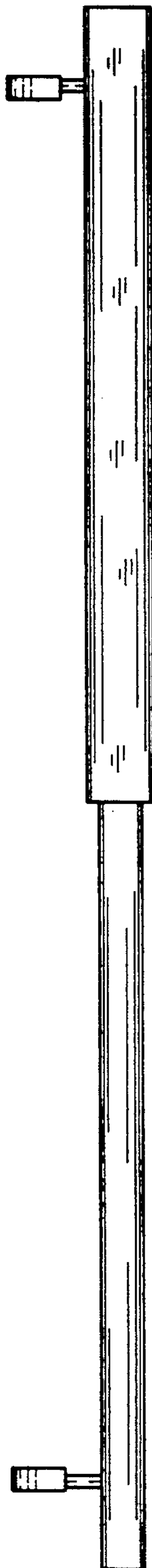
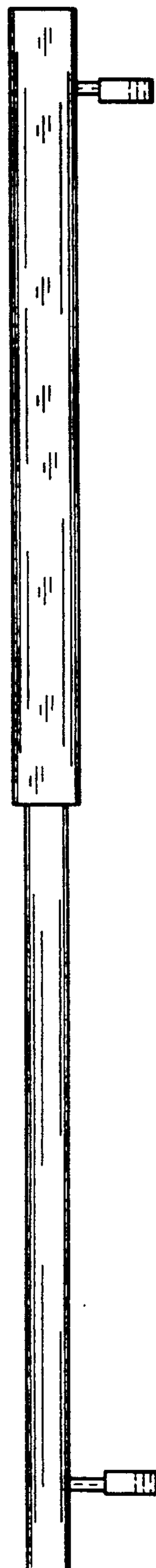


FIG. 6



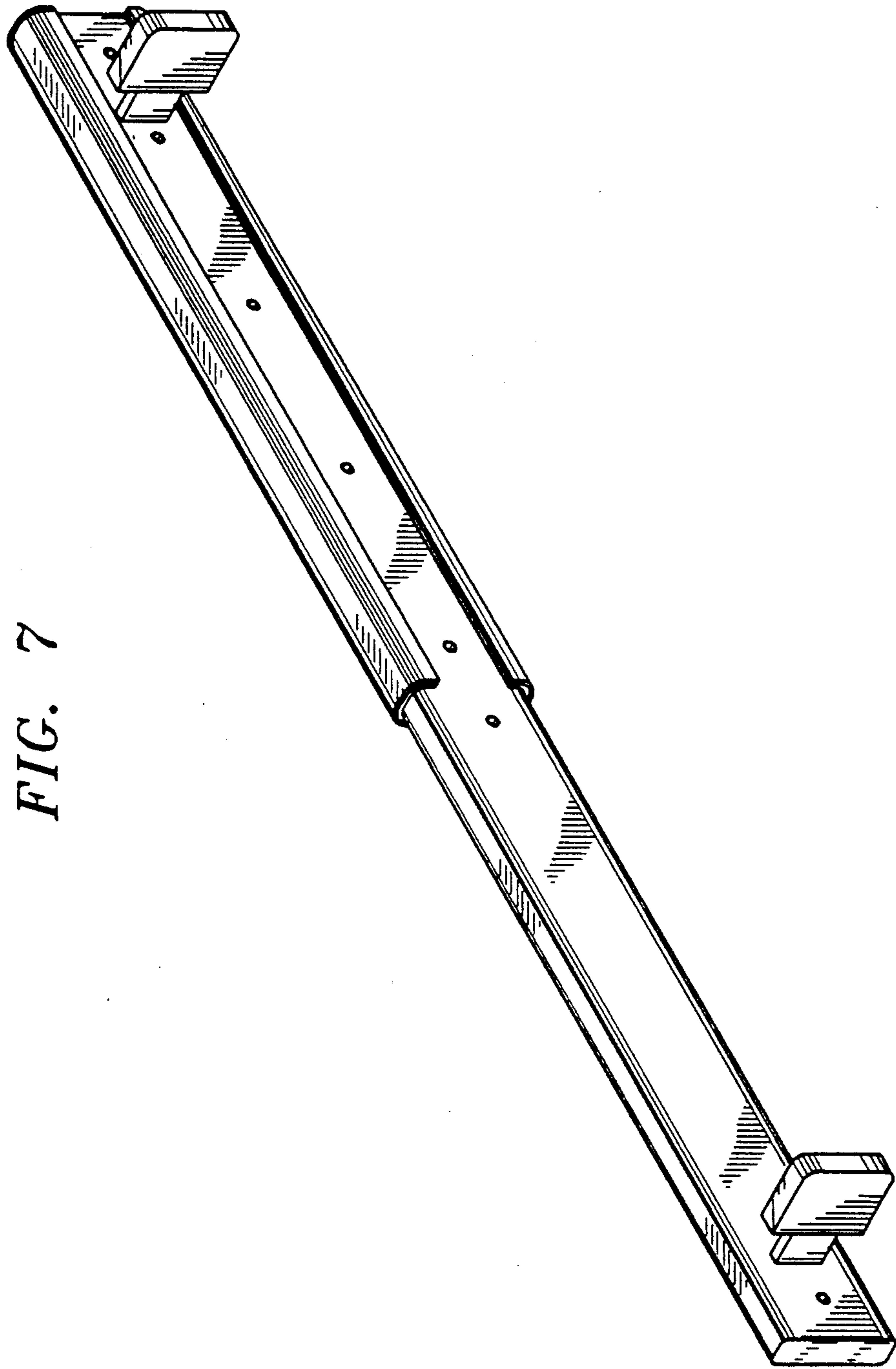


FIG. 7