



US00D341977S

United States Patent [19] Schön

[11] Patent Number: **Des. 341,977**

[45] Date of Patent: **** Dec. 7, 1993**

[54] **DISTANCING CLIP FOR DRAPES OR SUNBLINDS**

[75] Inventor: **Siegfried J. Schön, Etten-Leur, Netherlands**

[73] Assignee: **Schon B.V., Netherlands**

[**] Term: **14 Years**

[21] Appl. No.: **524,993**

[22] Filed: **May 17, 1990**

[52] U.S. Cl. **D6/580**

[58] Field of Search **D6/580, 577; D8/325, D8/396; D25/122, 199, 119; 211/86, 89, 94, 94.5, 103, 105.1**

[56] **References Cited**

U.S. PATENT DOCUMENTS

D. 213,613	3/1969	Poulain-VanLautem	D25/122
D. 214,085	5/1969	Fremdling	D25/122 X
D. 242,138	11/1976	Drawsky et al.	D25/119
D. 267,231	12/1982	Guem, Jr.	D8/396 X
D. 296,074	6/1988	Seyfarth	D8/396 X
2,448,900	9/1948	Mayo	211/86 X
2,839,201	6/1958	Auster	211/86
2,983,993	5/1961	Johnson	D25/122 X
3,081,882	3/1963	Magnuson	211/86
3,748,215	7/1973	Lenzi	D25/122 X

FOREIGN PATENT DOCUMENTS

3233727 3/1984 Fed. Rep. of Germany ... 211/105.1

OTHER PUBLICATIONS

Anchor Plastics Cat., ©1960, p. 11, "Filter Holder #11", top center of page.

Anchor Plastics Cat., ©1960, p. 21, "Antenna Holder", top left center of page.

Dalstrom Cat., #11, p. 102, "#558 form", bottom center of page.

Dalstrom Cat., #11, p. 129, "#2046 form", bottom center of page.

Primary Examiner—Carmen H. Vales-Lado

Attorney, Agent, or Firm—Diller, Ramik & Wight

[57] **CLAIM**

The ornamental design for a distancing clip for drapes or sunblinds, as shown and described.

DESCRIPTION

FIG. 1 is a perspective view of a distancing clip for drapes or sunblinds showing my new design;

FIG. 2 is a front end view thereof;

FIG. 3 is a top plan view thereof;

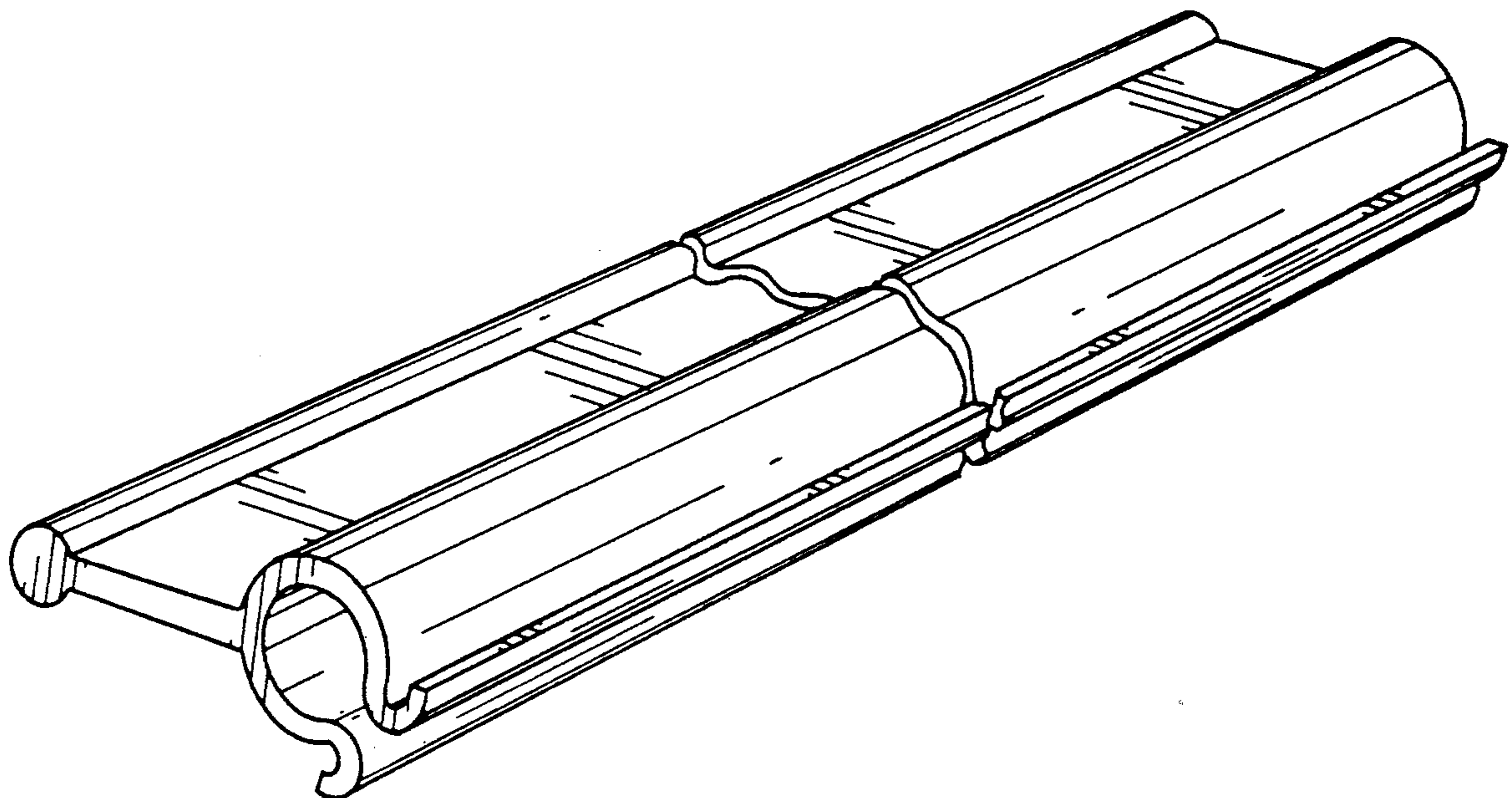
FIG. 4 is a right side elevational view thereof;

FIG. 5 is a bottom plan view thereof;

FIG. 6 is a left side elevational view thereof; and,

FIG. 7 is a rear end view of FIG. 5.

The holder is shown broken away in FIGS. 1 and 3-6 to indicate indeterminate length.



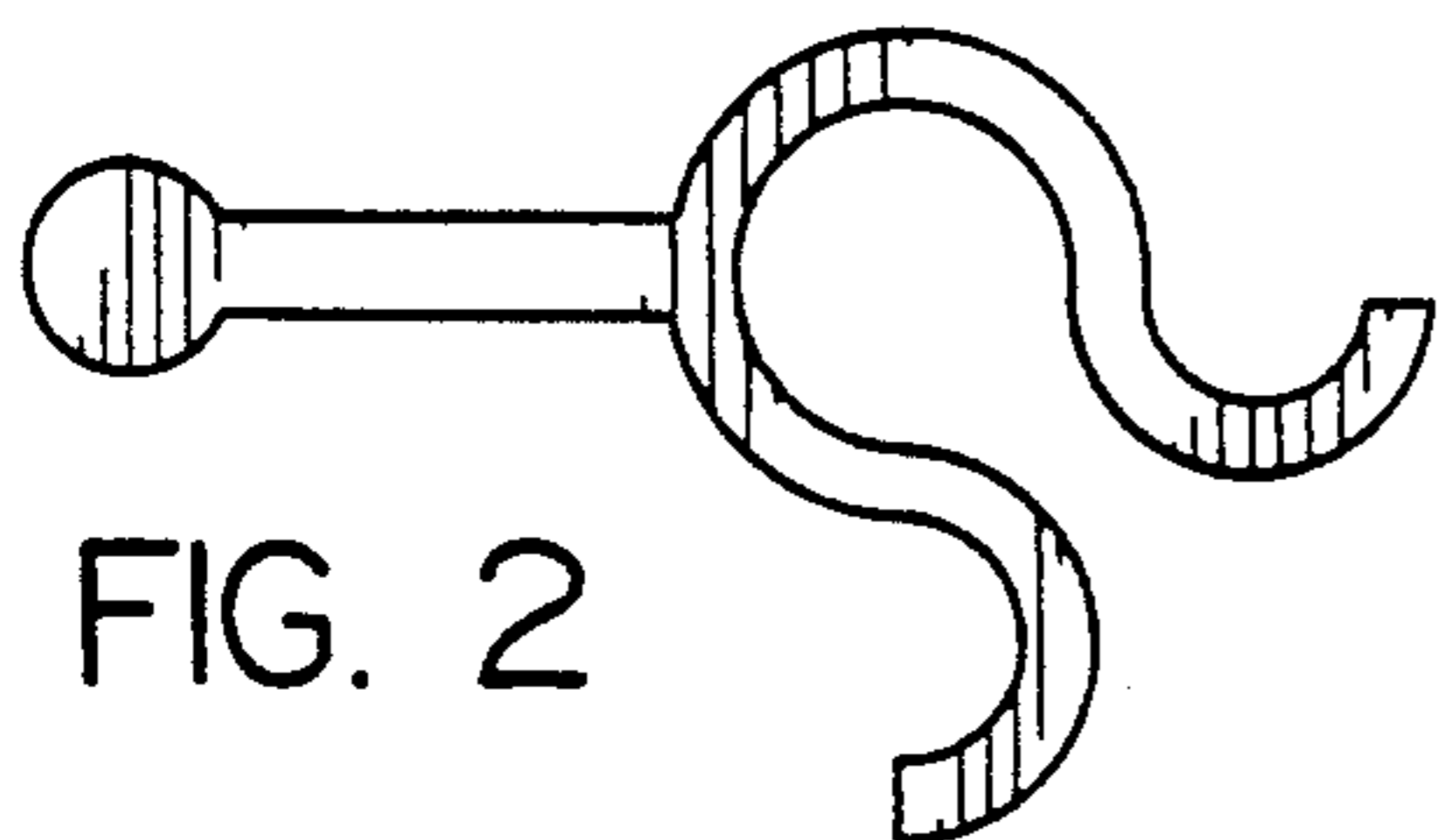
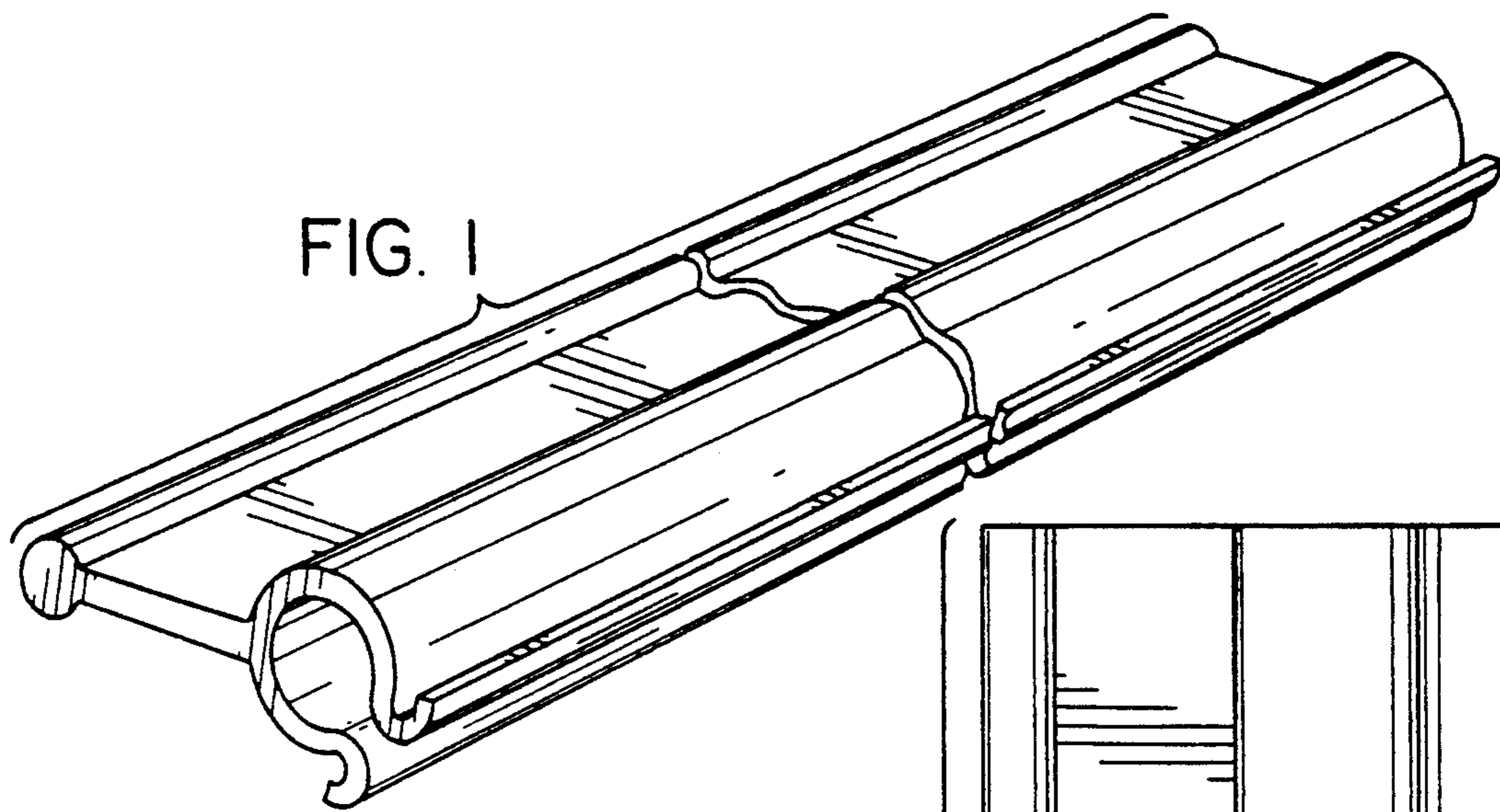
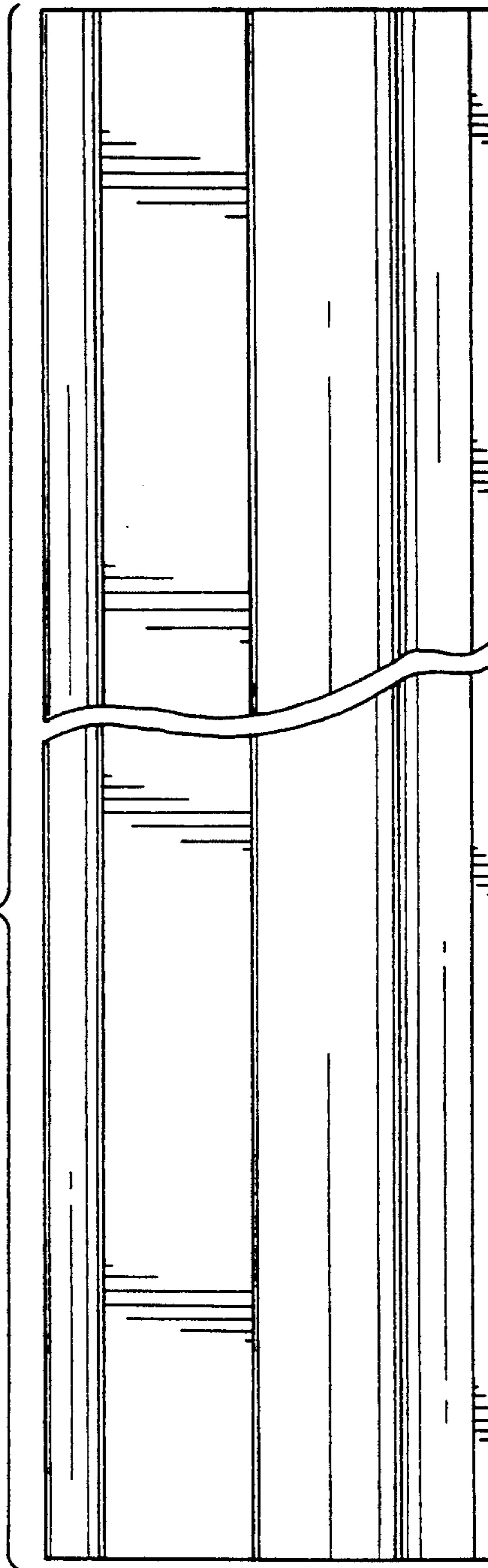


FIG. 3



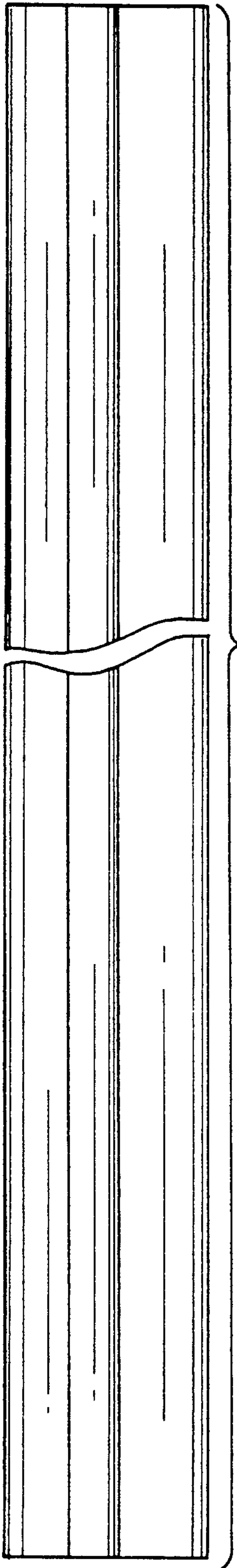


FIG. 4

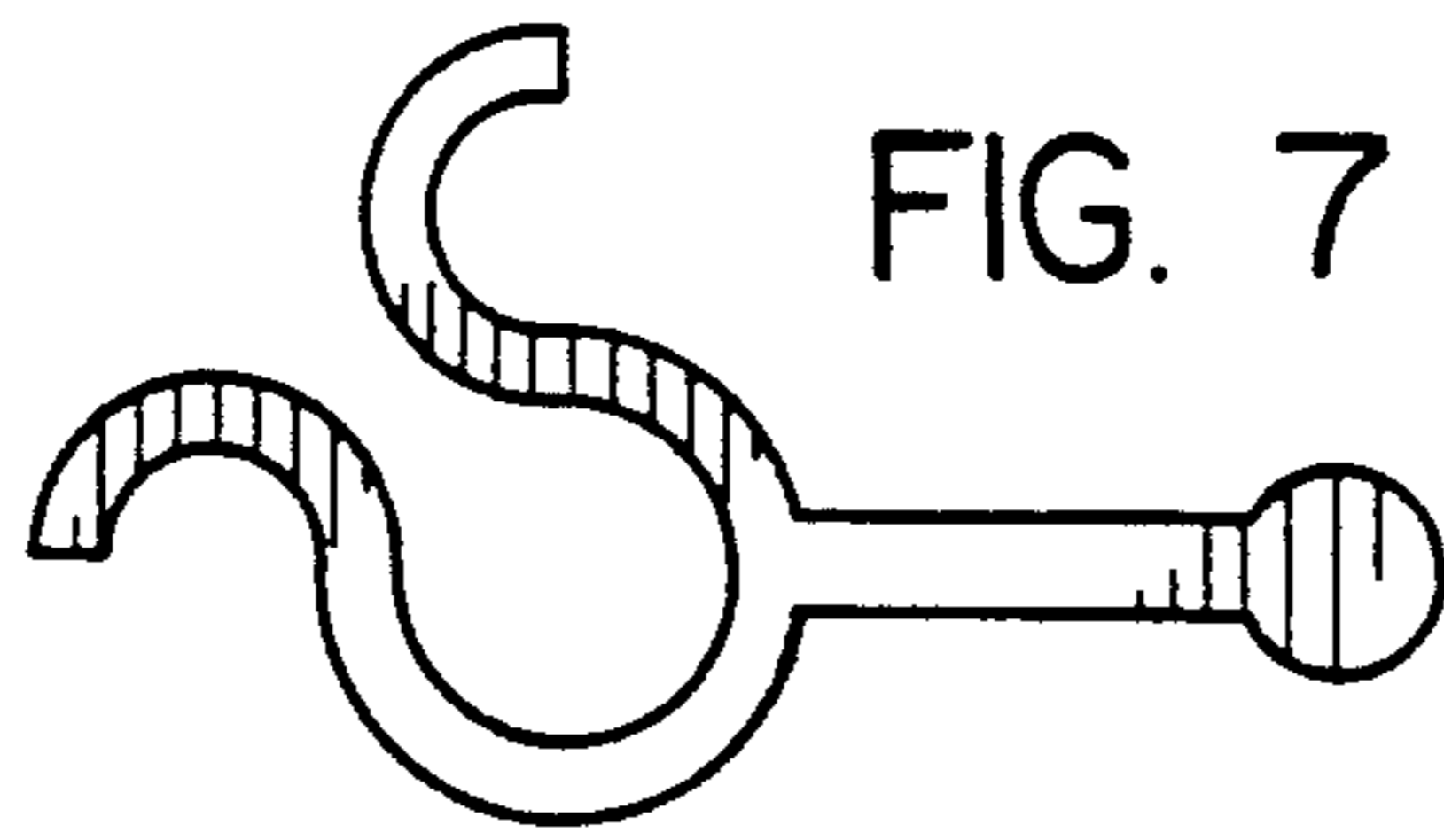


FIG. 7

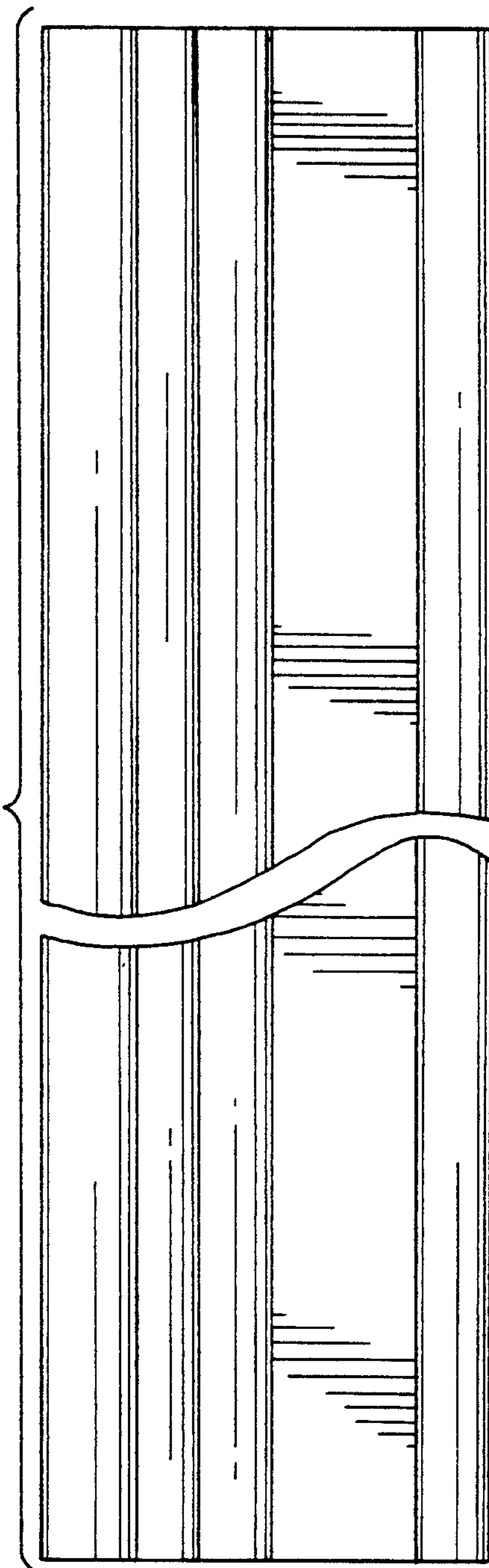


FIG. 5

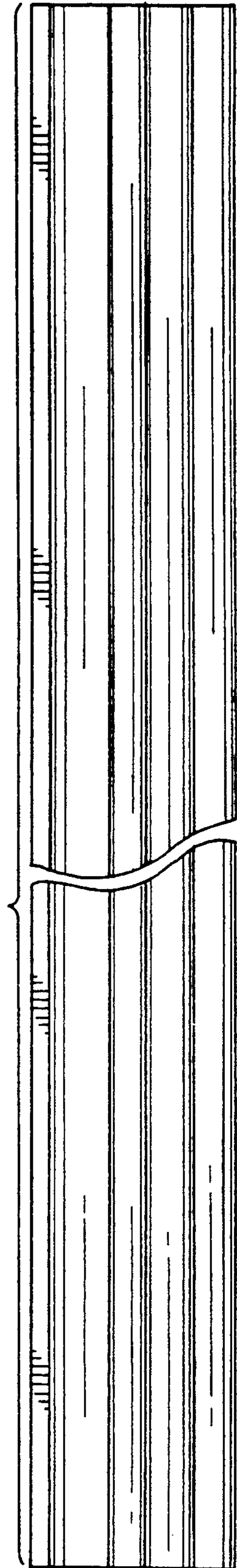


FIG. 6