



US00D341976S

# United States Patent [19]

Kelly et al.

[11] Patent Number: **Des. 341,976**

[45] Date of Patent: **\*\* Dec. 7, 1993**

[54] **ACTIVITY BOARD**

[75] Inventors: **Ray G. Kelly; Sharon A. Turnbough,**  
both of St. Louis County, Mo.

[73] Assignee: **Angeles Group, Inc., Pacific, Mo.**

[\*\*] Term: **14 Years**

[21] Appl. No.: **4,551**

[22] Filed: **Feb. 8, 1993**

### Related U.S. Application Data

[62] Division of Ser. No. 635,338, Dec. 18, 1990.

[52] U.S. Cl. .... **D6/573**

[58] Field of Search ..... **D6/512, 552-553,**  
**D6/567, 572-574; 211/86-88, 90, 126, 134, 162;**  
**248/201, 218.4, 219.1, 230-231, 231.8, 235**

### [56] References Cited

#### U.S. PATENT DOCUMENTS

- D. 141,423 5/1945 Lewis ..... D6/573
- D. 297,149 8/1988 Johnston ..... D6/573 X
- 1,262,493 4/1918 Hilgeman et al. .... D6/553 X

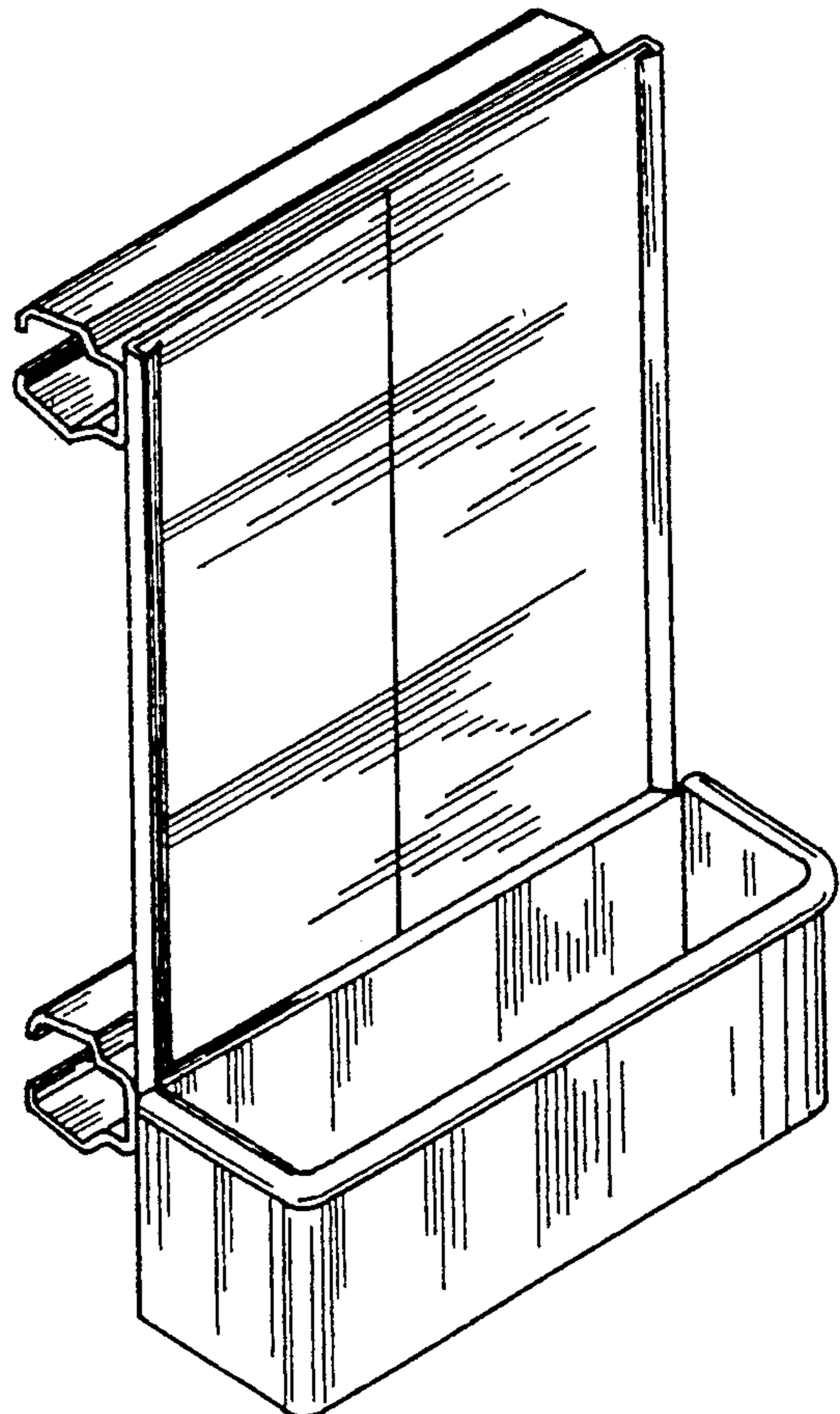
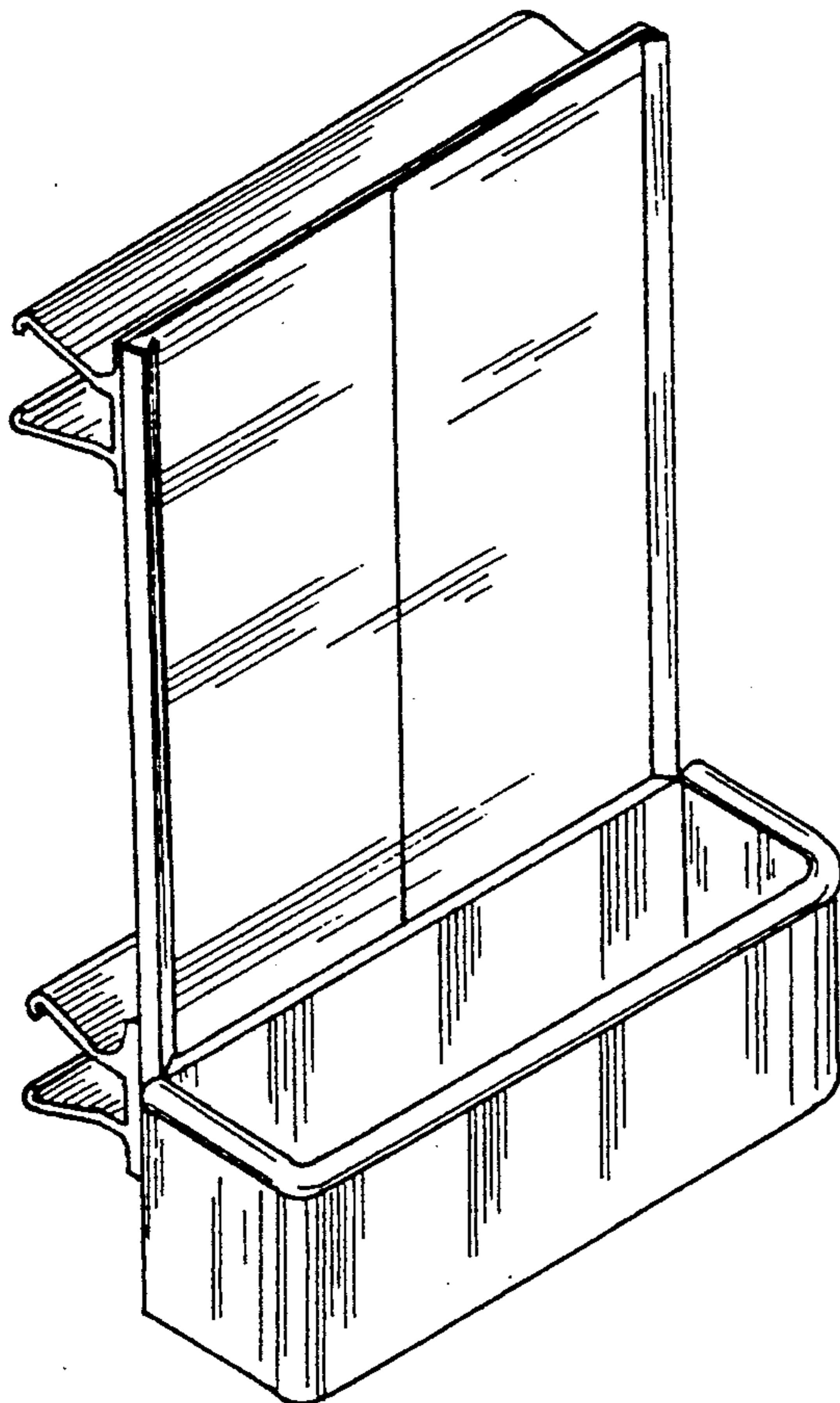
*Primary Examiner*—Brian N. Vinson  
*Attorney, Agent, or Firm*—Paul M. Denk

### [57] CLAIM

The ornamental design for the activity board, as shown and described.

### DESCRIPTION

FIG. 1 is a top, front, and left side perspective view of an activity board showing our new design; FIG. 2 is a rear elevational view thereof; FIG. 3 is a rear elevational view thereof; FIG. 4 is a left side elevational view thereof, the right side being a mirror image of that shown; FIG. 5 is a top plan view thereof; FIG. 6 is a bottom plan view thereof; FIG. 7 is a top, front, and left side perspective view of an alternate embodiment of an activity board showing our new design; FIG. 8 is a rear elevational view thereof; FIG. 9 is a front elevational view thereof; FIG. 10 is a left side elevational view thereof, the right side being a mirror image of that shown; FIG. 11 is a top plan view thereof; and, FIG. 12 is a bottom plan view thereof.



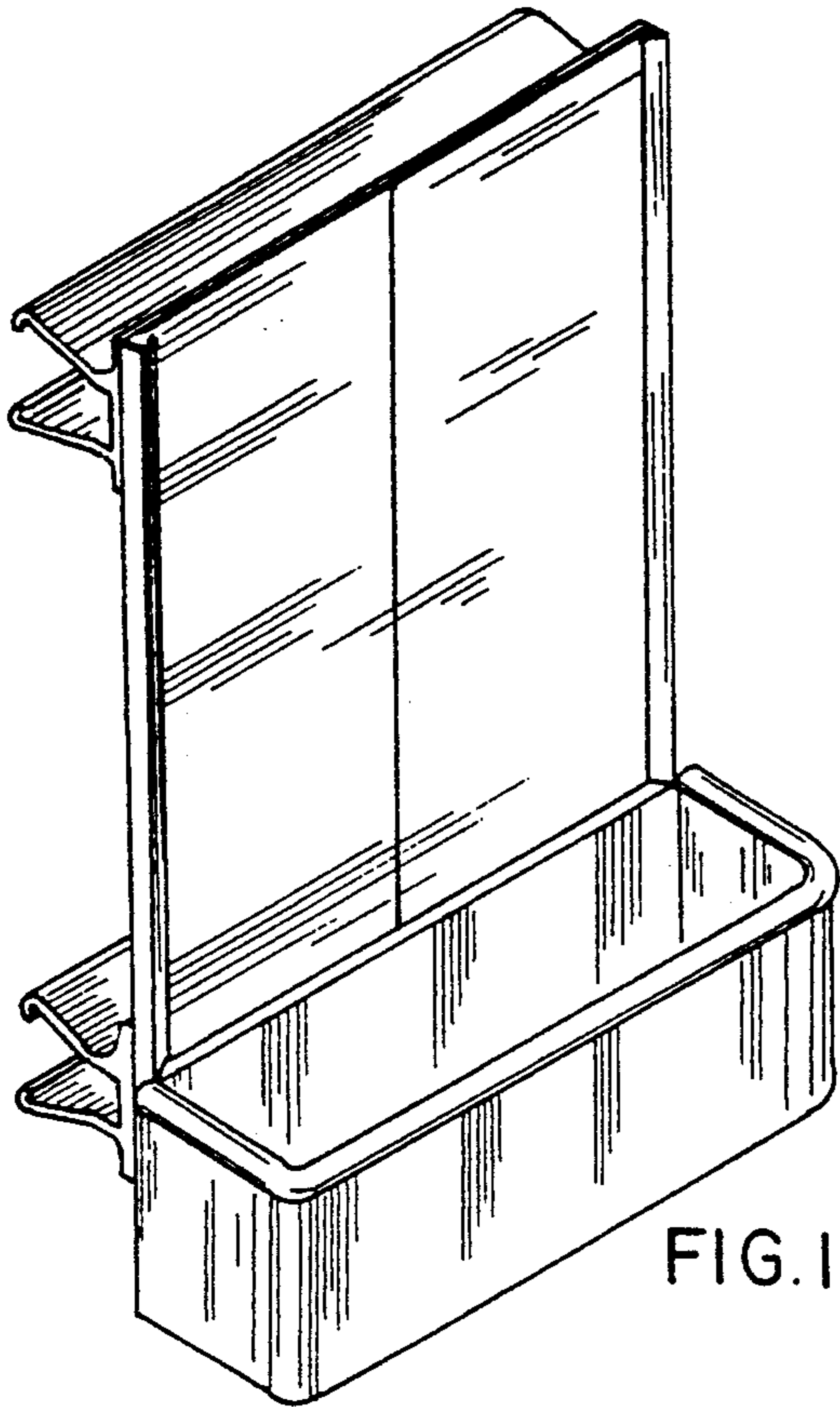


FIG. 1

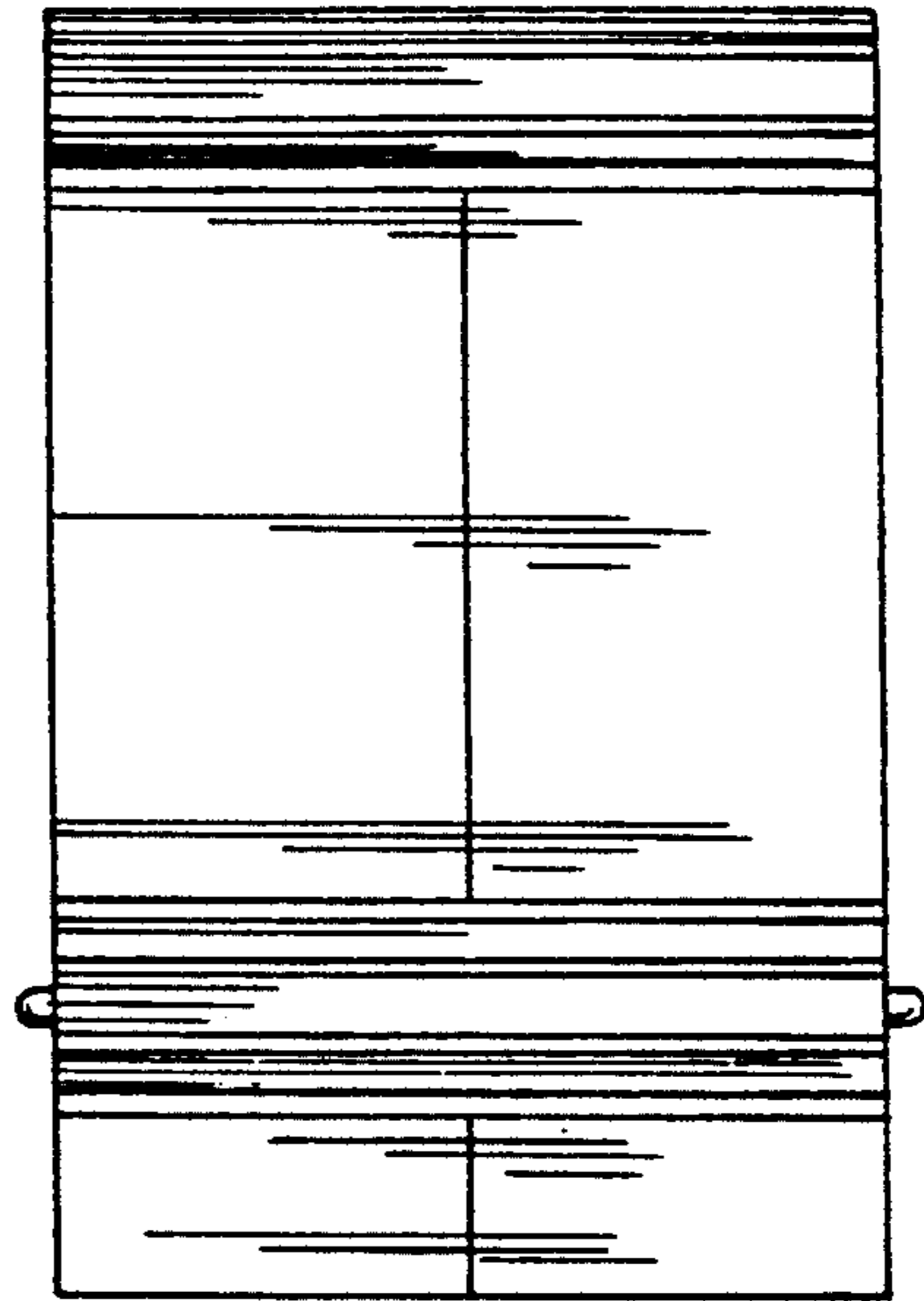


FIG. 2.

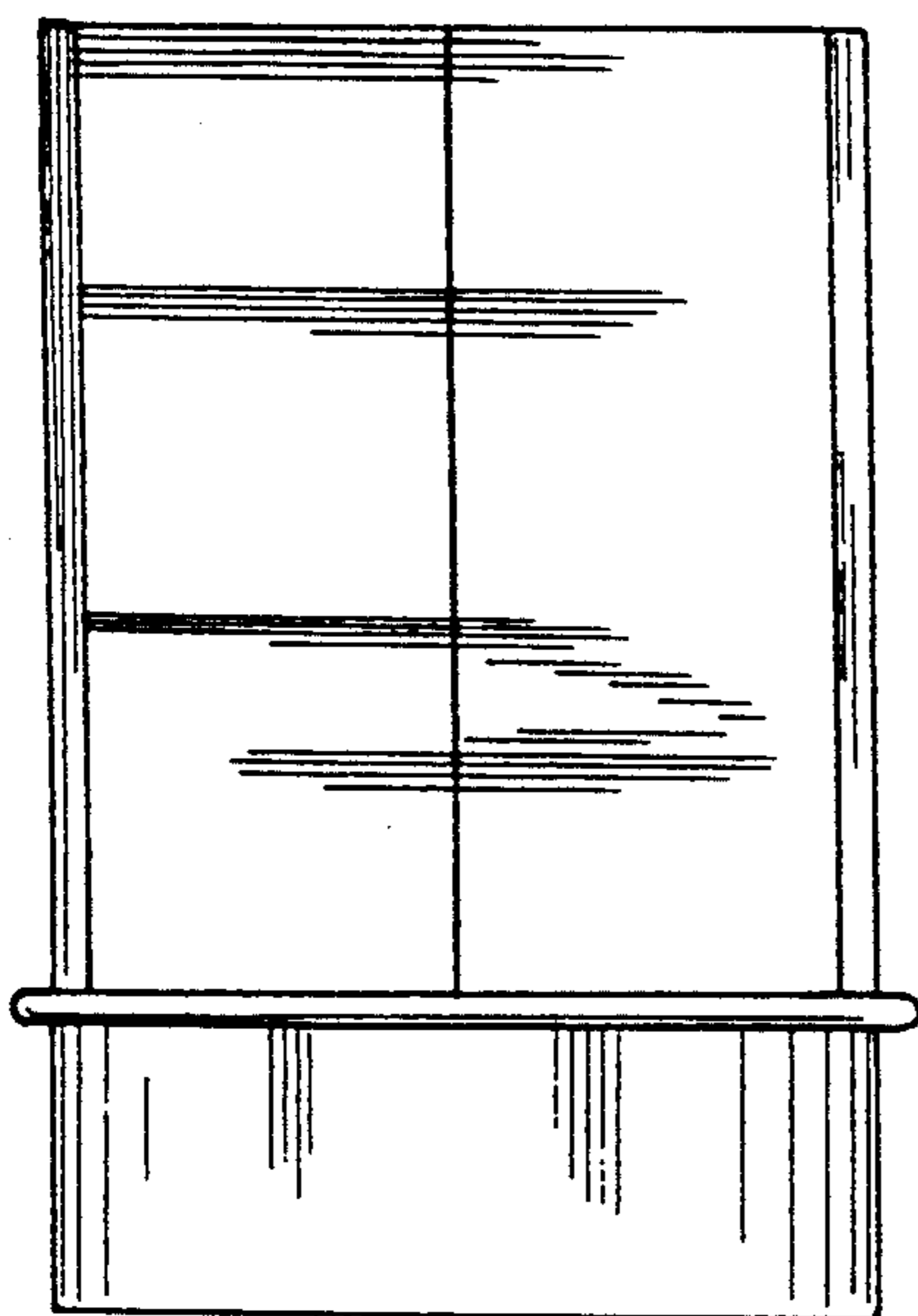


FIG. 3.

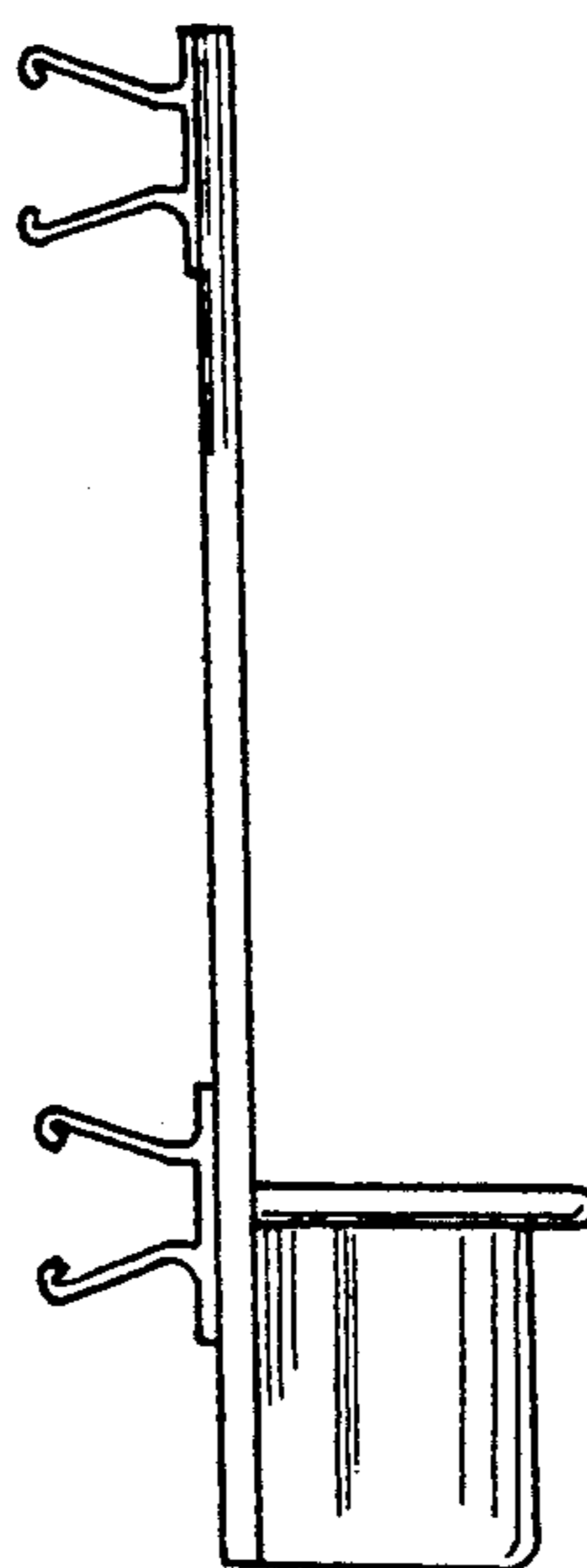


FIG. 4.

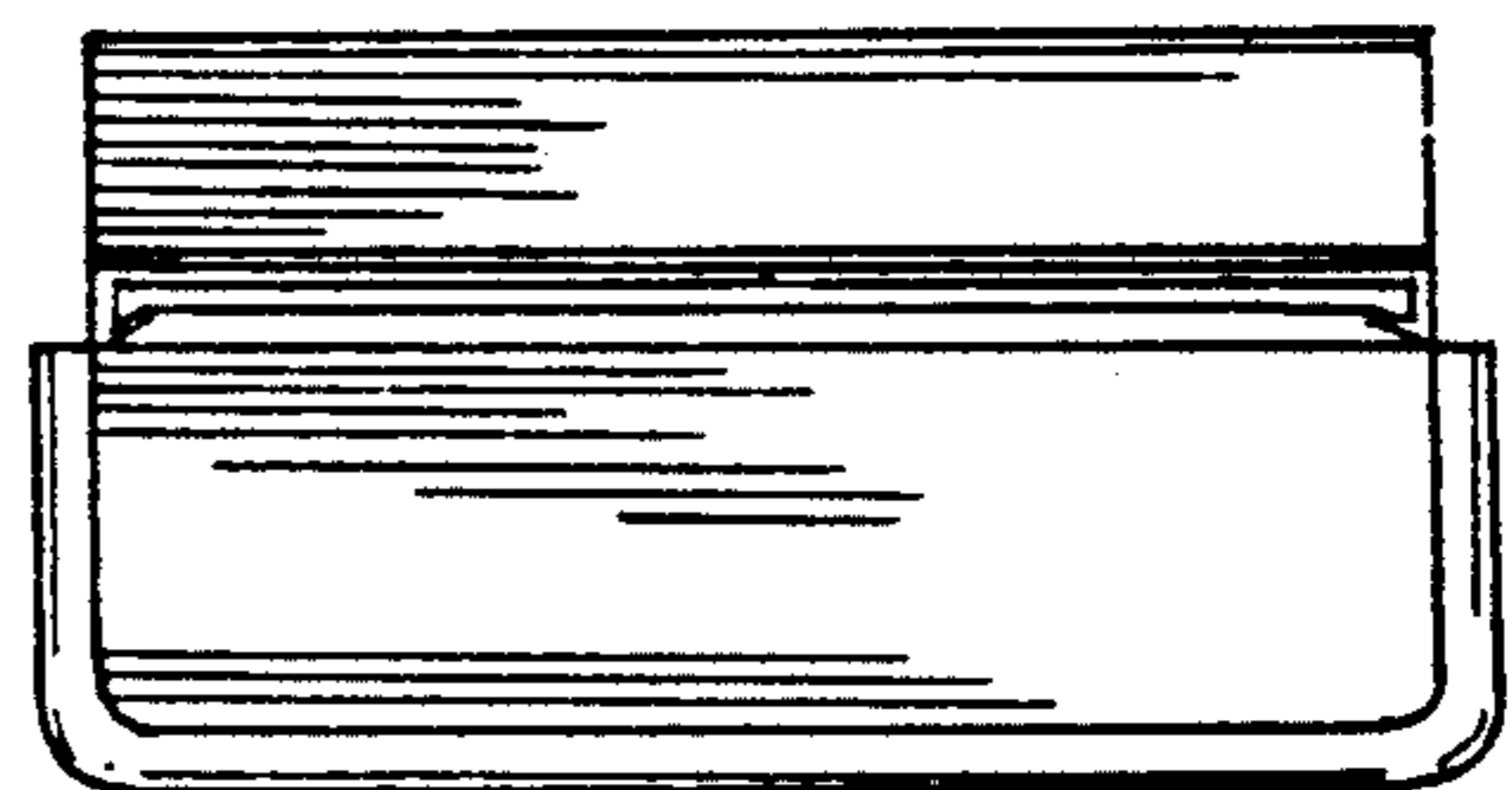


FIG. 5.

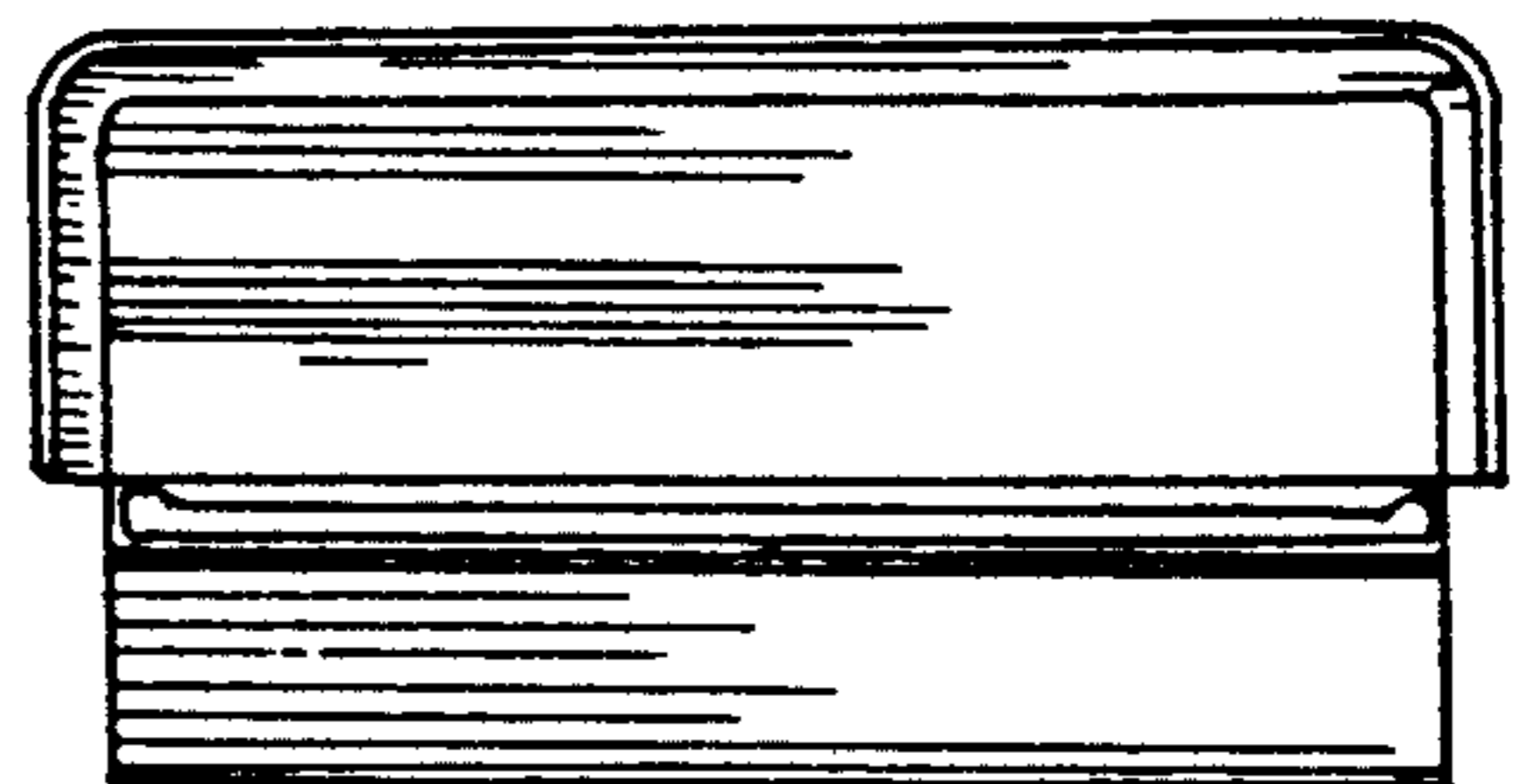


FIG. 6.

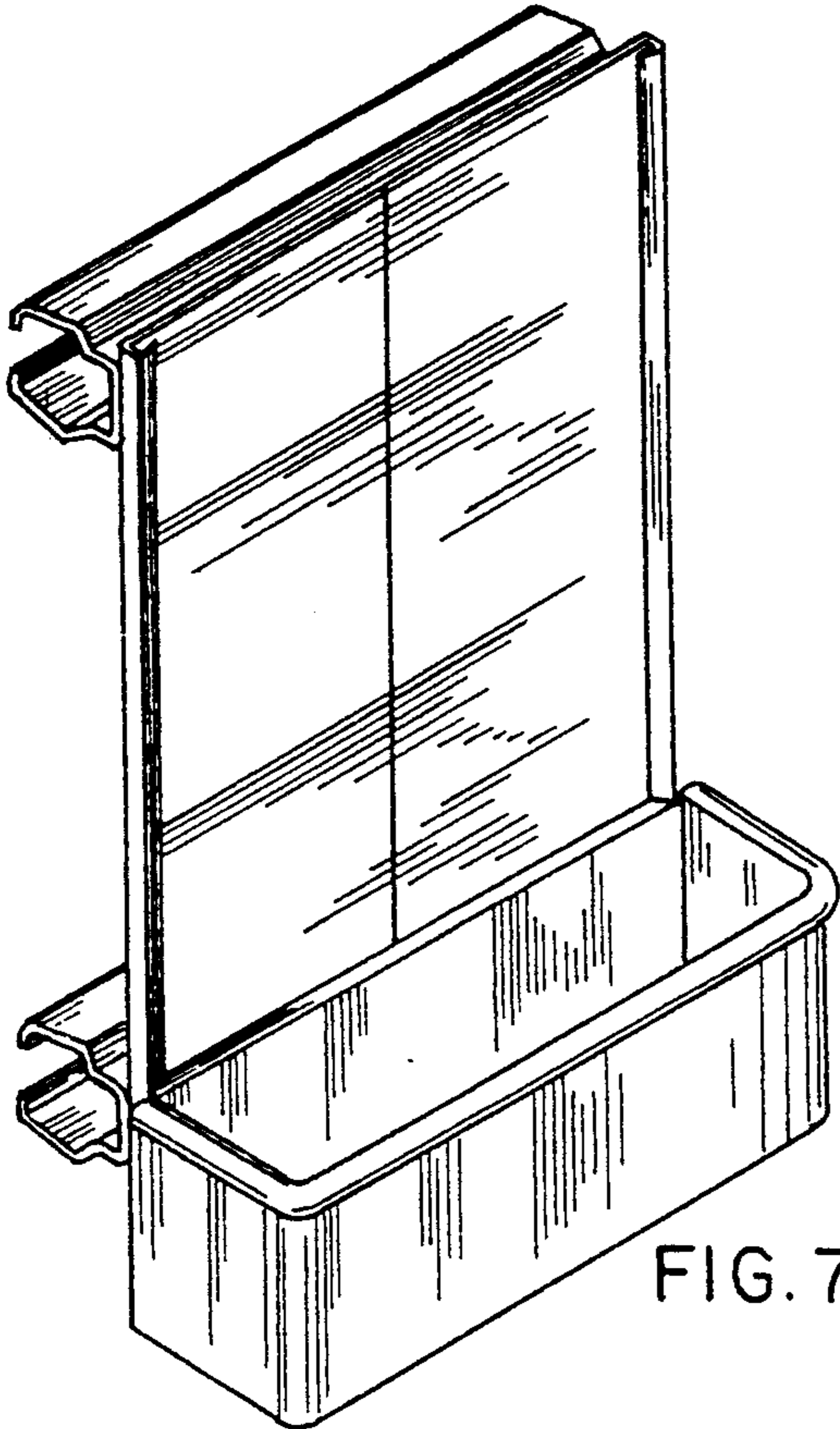


FIG. 7.

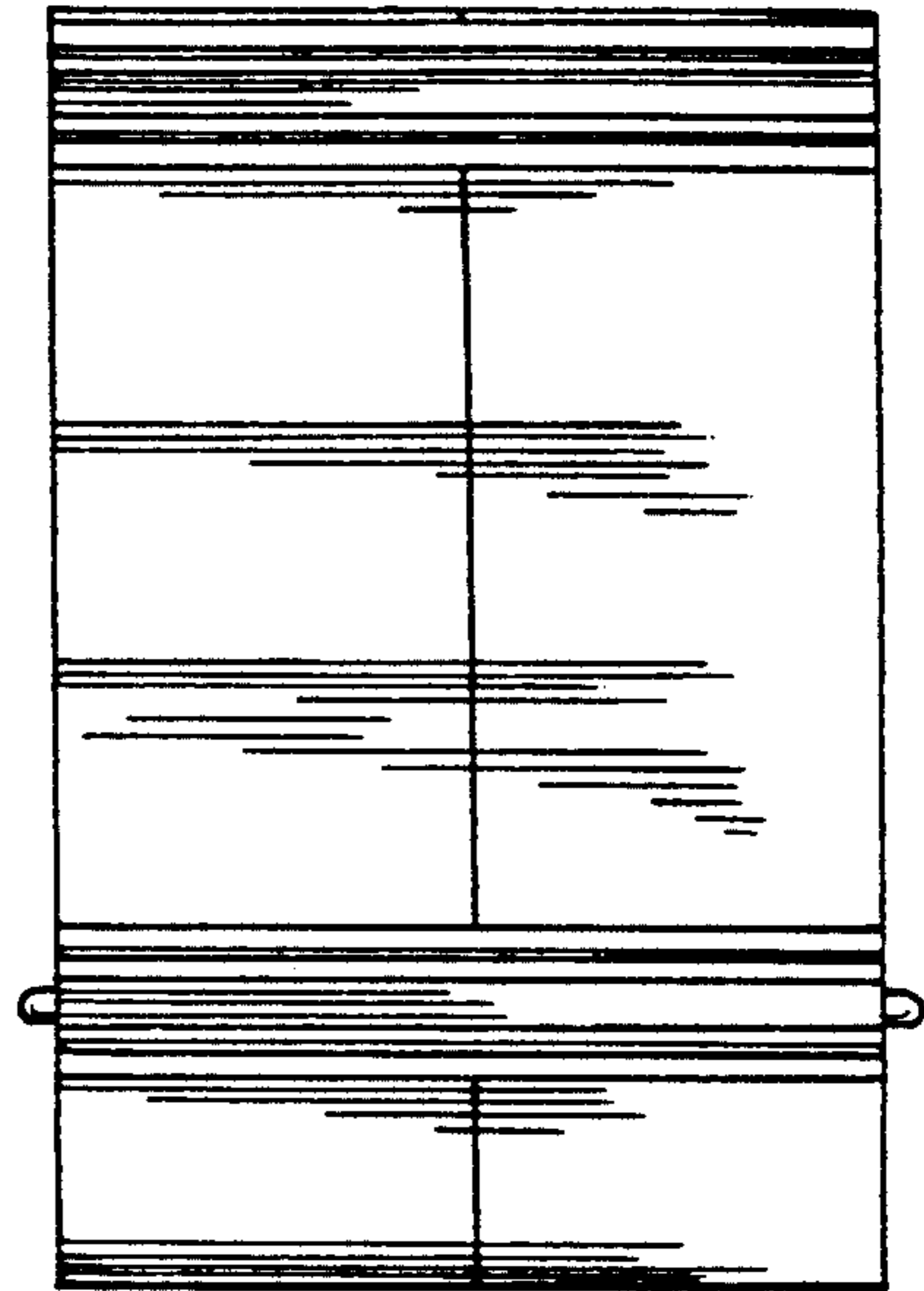


FIG. 8.

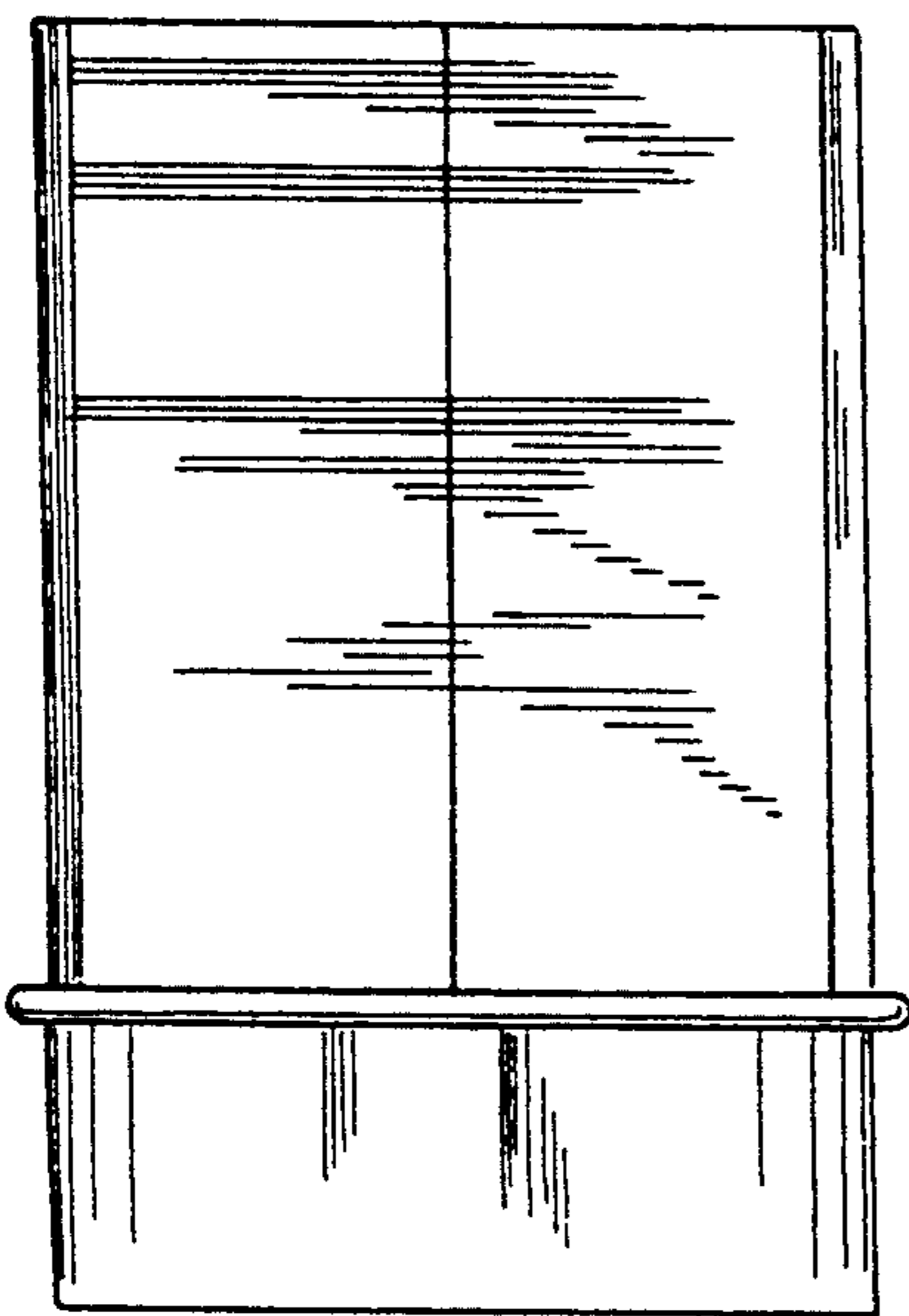


FIG. 9.

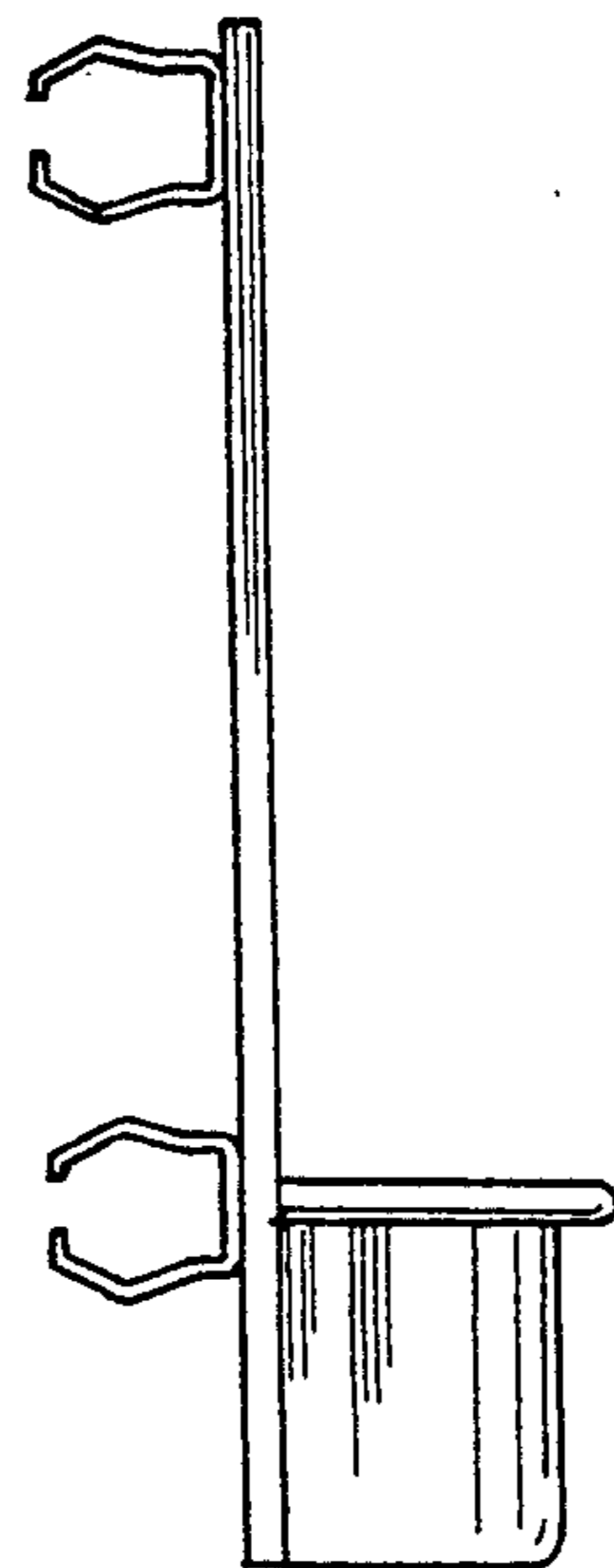


FIG. 10.

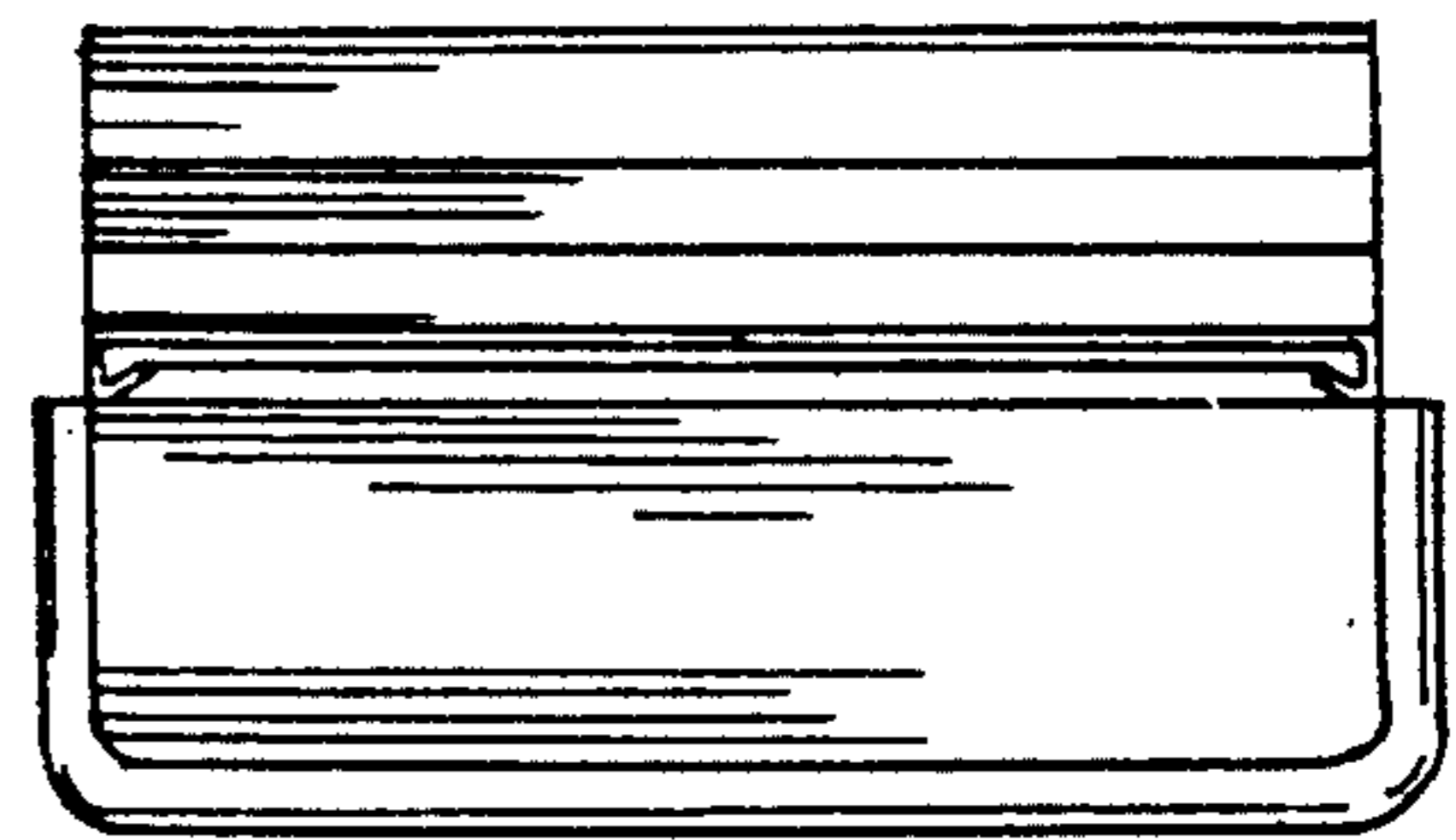


FIG. 11.

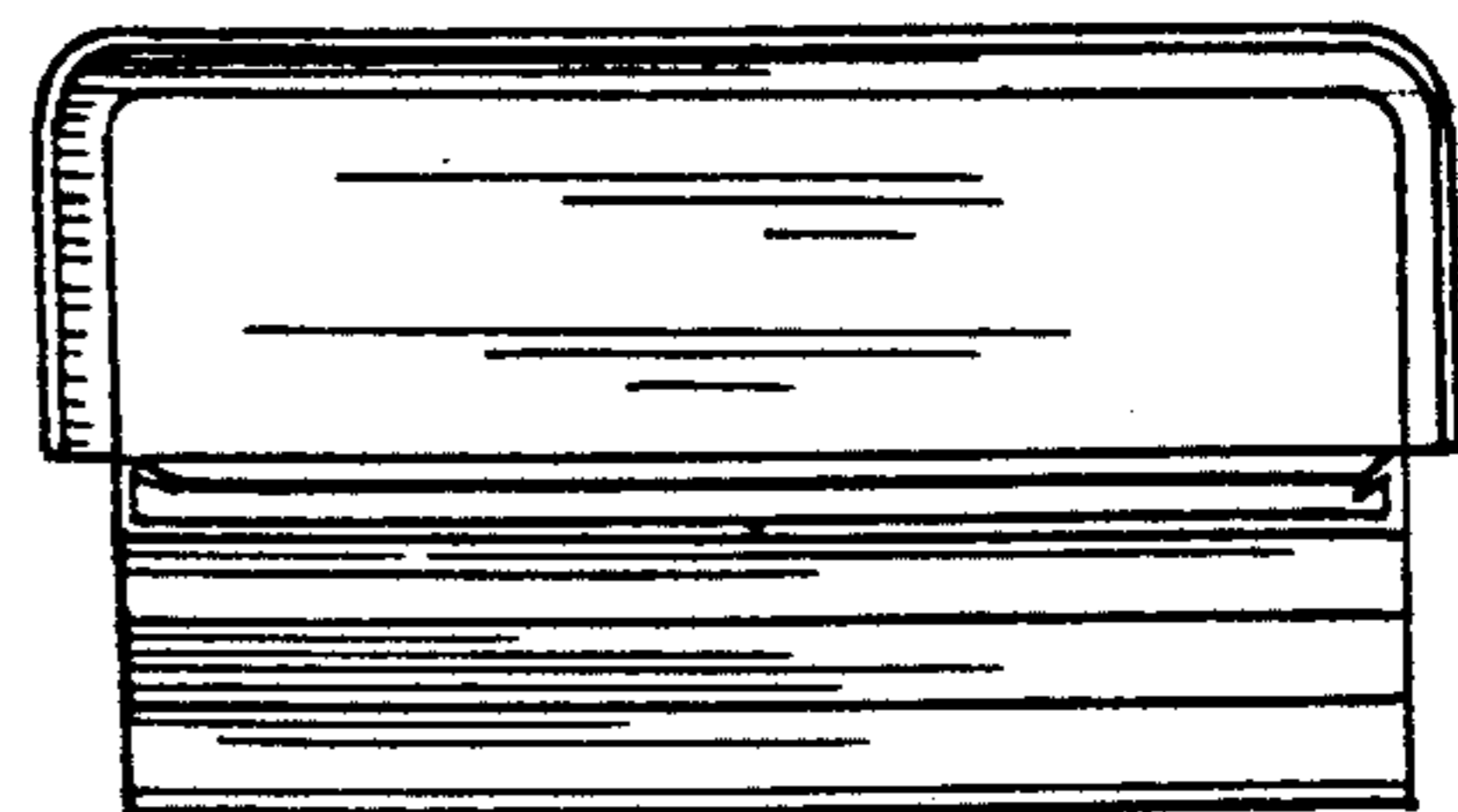


FIG. 12.